

Pioneering for You



Wilo Philippines

Wilo – PSS Series Stainless Steel Borehole Pump

**Intelligent solutions for municipal water supply, water wells, agriculture,
& industrial applications**



wilo

**“Top quality in
standard
applications”**





Directly at the source Wilo PSS Series

Stainless Steel Borehole Pumps

The Wilo-PSS 4"6"8" and 10" product series include the new borehole range pump range with a stainless steel design from Wilo. In addition to water supply, this series made of stainless steel is suitable for many other applications. Thanks to the extensive bearing program in the range 4" & 6". They are quickly available.

Wilo PSS borehole pumps can be installed vertically or horizontally, depending on what's needed. Last but not the least the reduced weight ensures easy handling and installation. Thanks to the stable design, all units are very wear-resistant, even for high sand content up to 50mg/l. Long-lasting durability and high operating reliability are then guaranteed.

In addition to quality and safety, the cost factor is also decisive. With optimized hydraulics and increased efficiency and the option that all pumps of this series are suitable for frequency converters, they help lower the operating costs. Additional advantages such as the extensive range of accessories and a standardized hydraulics design in AISI 304, round off the high quality and versatile product portfolio of the Wilo-PSS series.

High efficiency and more reliability

Technical Data

- High Quality Thrust Bearing of the kingsbury type lubricated by the internal fluid.
- Removable plug-in lead cable
- Motor frame made out of AISI 304
- Shaft end made out of AISI 303
- Motor bracket made out of Cast Iron G20
- Bracket's cover made out of AISI 304
- Shaft sealing system granted by, sand slinger and lip seal
- Pressure equalizing diaphragm
- 6" NEMA flange
- Degree of protection: IP68
- Insulation: Class F
- Valve for restoring of cooling liquid

Operating range

- Water well temperature: max. 35°C
- Maximum starts per hour: 30
- Minimum flow rate speed: 0,15 m/s
- Mounting position: vertical/horizontal
- Liquid characteristics: Ph from 6,5 to 8.0
- Service factor higher than 1 for 60 Hz motors
- Axial Thrust:

Motor

Three-phase motor for direct or star-delta start. Sealed, hermitically cast motor, resin-impregnated, with enamel-insulated winding or rewindable motor with PVC-insulated winding, self-lubricating bearing, with water-glycol filling.

Hydraulics

Multistage submersible-motor pump with 6/8" NEMA- or from 10" and larger with standardized connection and semi-axial impellers in sectional construction. Integrated non-return valve. All parts that come in contact with fluid are made of corrosion-free materials.

Pressure shroud

The pressure shroud is used for the direct installation of the unit in the pipe system. Standard models are without mounted non-return valves. The maximum inlet pressure is 10 bar.

Options

- Hydraulics in 1.4401 stainless steel
- Motor in stainless steel 1.4401, 1.4571 or G-CuSn10
- Star/delta starting
- Rewindable motor
- Rewindable motor with drinking water filling as special version.

Cooling

The motor is cooled by the pumped fluid. The motor must always be immersed when operated. The limit values for maximum fluid temperature and minimum flow velocity must be adhered to. Vertical installation is possible with or without cooling jacket. Horizontal installation must be performed in conjunction with a cooling jacket.



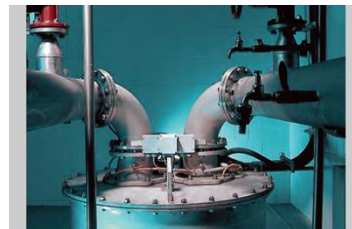
Water extraction

Solutions for every field of application.

Wells and sumps

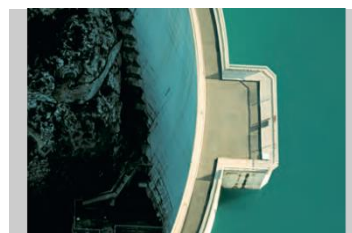
When pumping ground water out of drilled wells, the installation depth and productivity determine which pumps are used.

The wide spectrum of Wilo borehole pumps range are also matched to all common well diameters, guaranteeing optimal pumping operation.



Lakes and dams

Among other things, barrages are distinguished by the changing water level of natural lakes, which generally have small water level fluctuations. Wilo offers you solutions at the best possible efficiency to minimize energy costs and with high-grade materials for long, maintenance-free pump operation.



Rivers and oceans

River water and seawater require the use of resistant materials due to contaminants, sand content and salinity. Wilo meets these requirements by using the most modern materials and advanced technology.



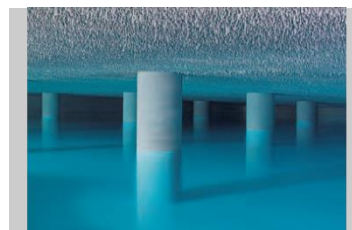
Water control

Water control/ground water drawdowns put a wide range of requirements on pumps and systems, for example, pumping off low water levels. Whether in water treatment plants or water reservoirs, with Wilo pumps, it is possible to realize purposeful and efficient solutions



Ground and potable water

Ground water is used in many different ways. After treating the raw water according to the requirements of potable water system. For this, Wilo offers pumps with a wide range of motor powers, delivery heads and volume flows. In addition, our borehole pumps can be installed horizontally as well as vertically in basins and tanks



Rainwater

Water is becoming more and more scarce. Only a small portion (less than 1%) of all freshwater resources is available as surface water in lakes and rivers. This is alarming just from an ecological point of view, and requires that this vital resource be handled responsibly. Moreover, the shortage also has economic consequences, of course, which can be seen from the continuous increase in the price of water. Wilo offers innovative water supply solutions with rainwater utilization systems.



Wilo – PSS Series

The resistant One



Design : Multistage submersible borehole pump

Application :

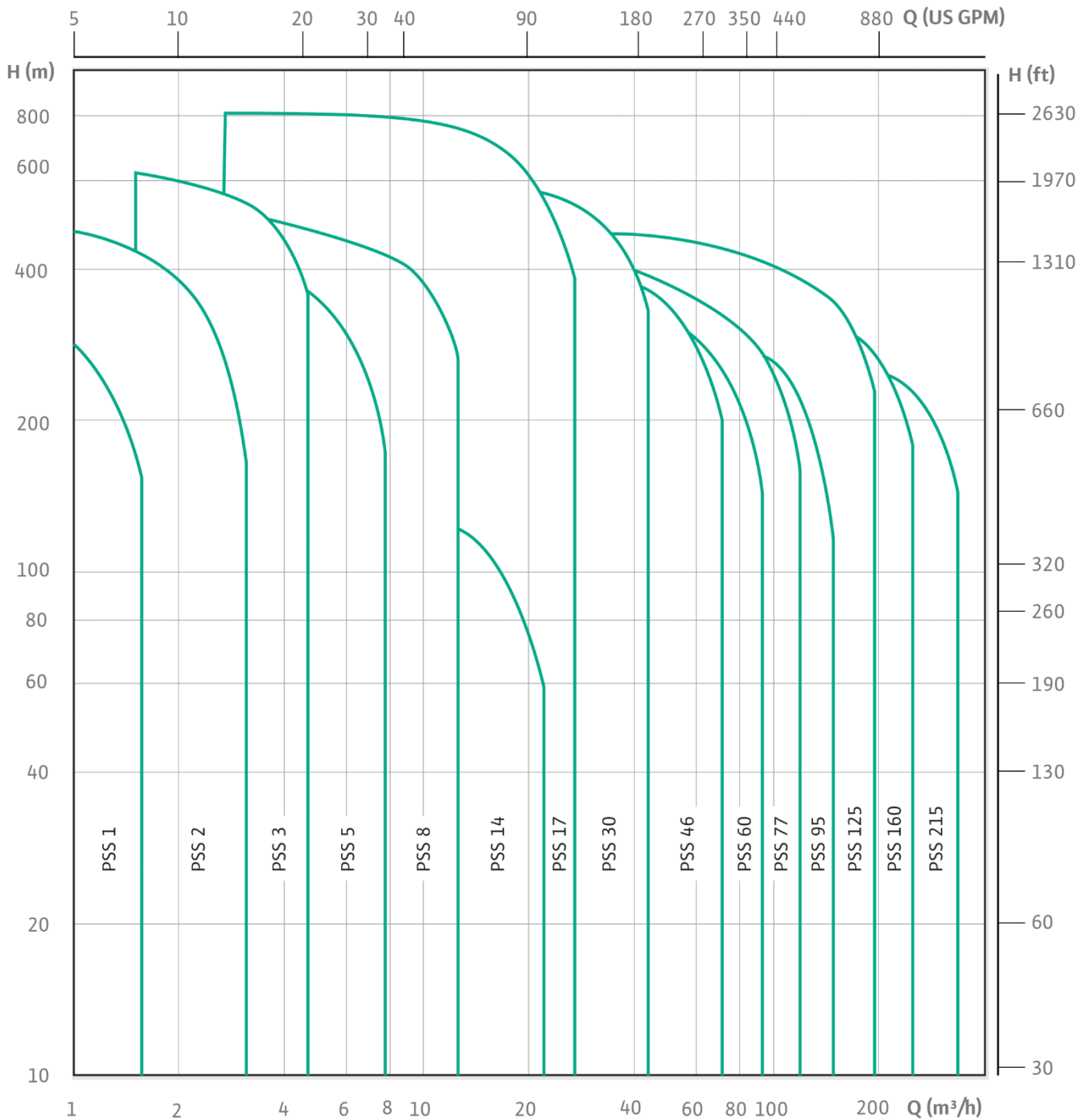
- For water and drinking water supply from boreholes and rainwater storage
- Process water supply
- For municipal water supply, sprinkling and irrigation
- Pressure boosting
- Lowering the water level
- For pumping water in industrial applications
- For pumping water without long-fibre and abrasive constituents

Special features/product advantages

- Optimized hydraulics with efficiency of up to 80%.
- Long service thanks to corrosion-resistant stainless steel, optionally in V4A quality
- ACS certified for domestic hot water applications
- High range of performance from 1 to 250 m³/h
- A high degree of flexibility thanks to versions in the 4,6,8 and 10-inch area
- Easy maintenance due to quick installation and dismantling

Performance range

60Hz



General Information

Wilo – PSS Series – Submersible Borehole Pumps

Design

Multistage 4"–10" submersible pump in tie strap version for vertical or horizontal installation

Type key (Pump model)

E.g. PSS-46-2-AB

PSS Pump Submersible Stainless steel
 46 Rated Capacity (m³/h)
 2 Number of Impeller stage
 AB Impeller type as per diameter : A,B,C

Type key (Motor model)

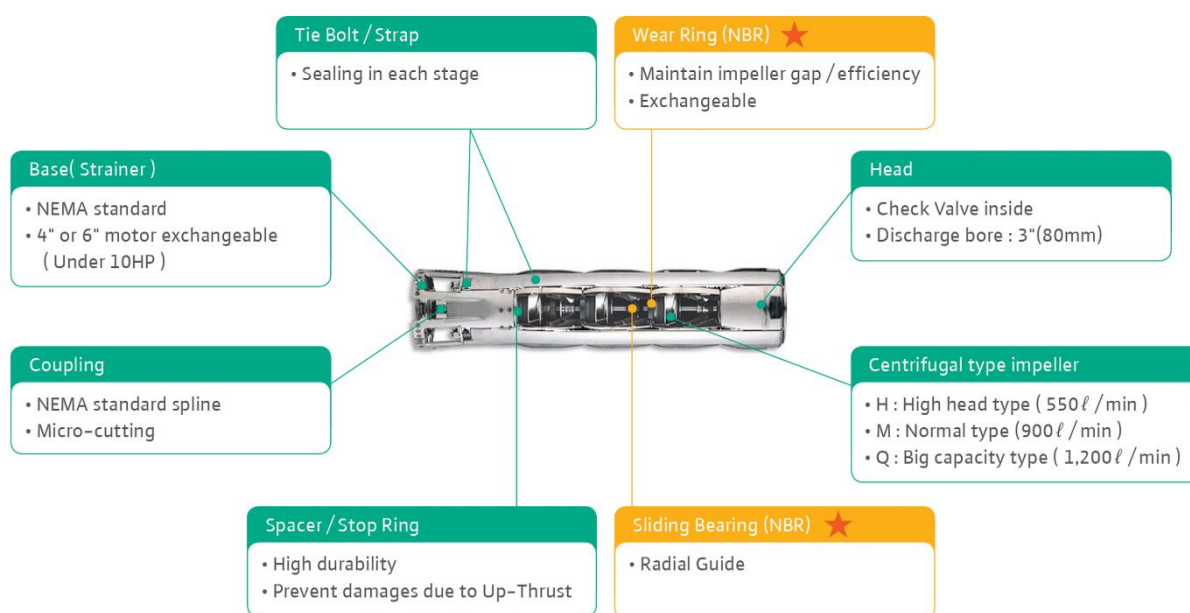
E.g. MS4-05-3-3

MS Motor Series (4"–6"); NU (6"–10")
 4 Size of motor
 05 Motor rating in HP/10
 3 Motor Phase
 3 Voltage
 ("1" for 230V, "2" for 380V, "3" for 460V)

Technical Data

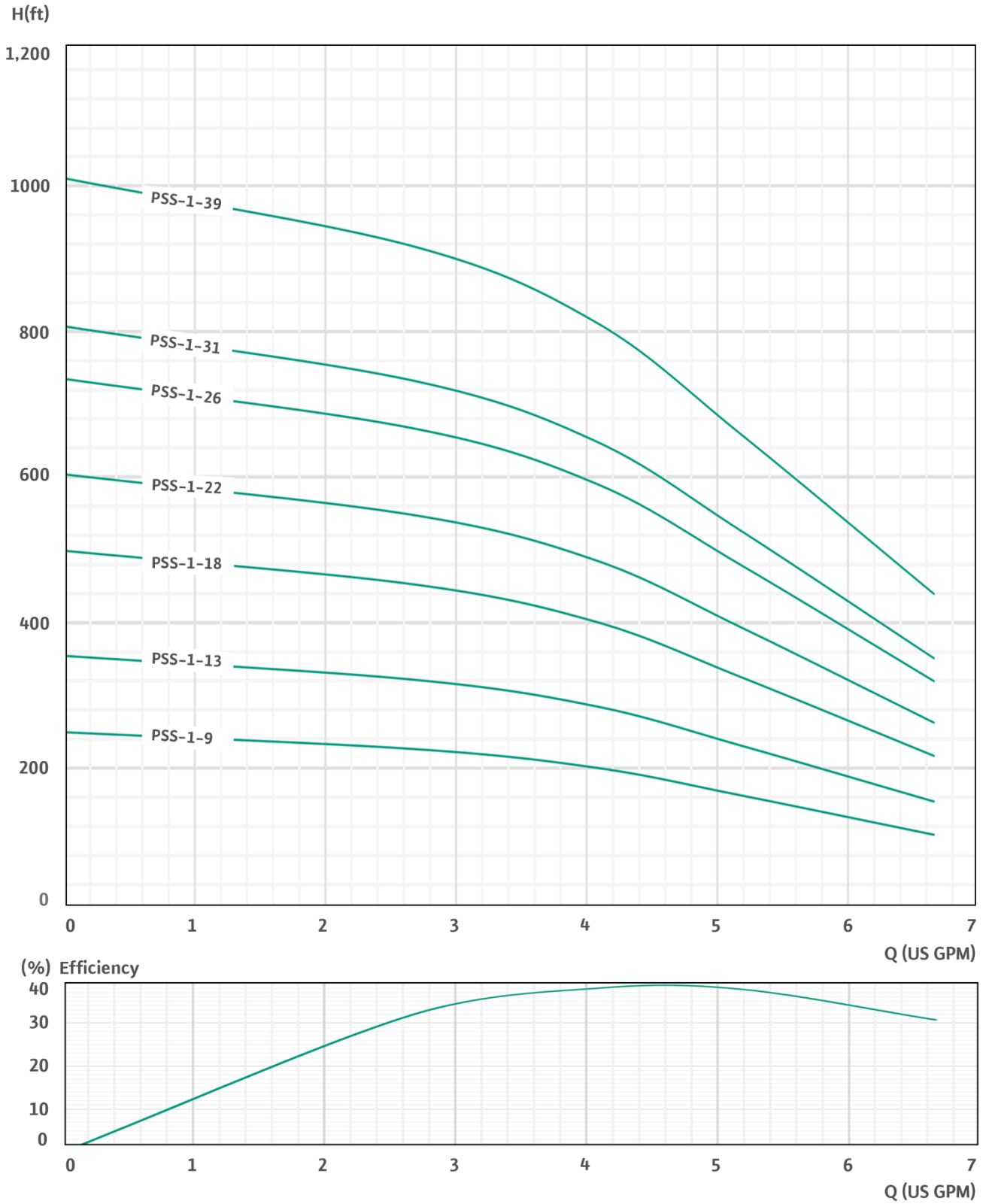
- Mains connection : 1~230V, 60Hz
3~230/380/460, 60Hz
- Submerged operating mode : S1
- Fluid temperature :
- Minimum motor flow:
 - Hermetically cast motors : 3–20°C or 3–30°C (depending on type)
 - Rewindable motors (SD-R): 3–30°C (depending on type)
- Minimum motor flow : 0.1–0.5m/s (depending on type)
- Max. sand content : 50 g/m³
- Max. number of starts : 10–20/h (depending on type)
- Max. immersion depth: 100–350 m (depending on type)
- Protection class : IP 68

All Stainless Steel material for hydraulics (except for) ★



PSS-1 Series

Performance curve

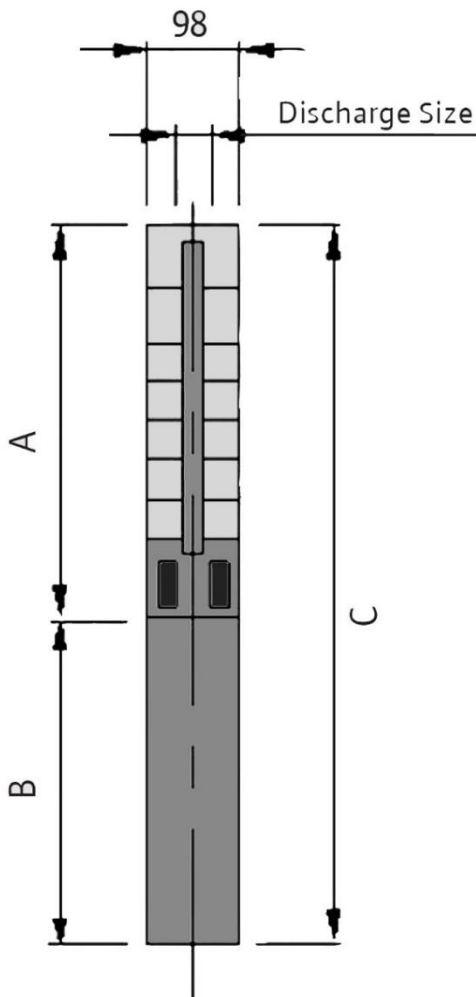


Wilo – PSS Series ~ 4"

PSS-1 Series

Technical data

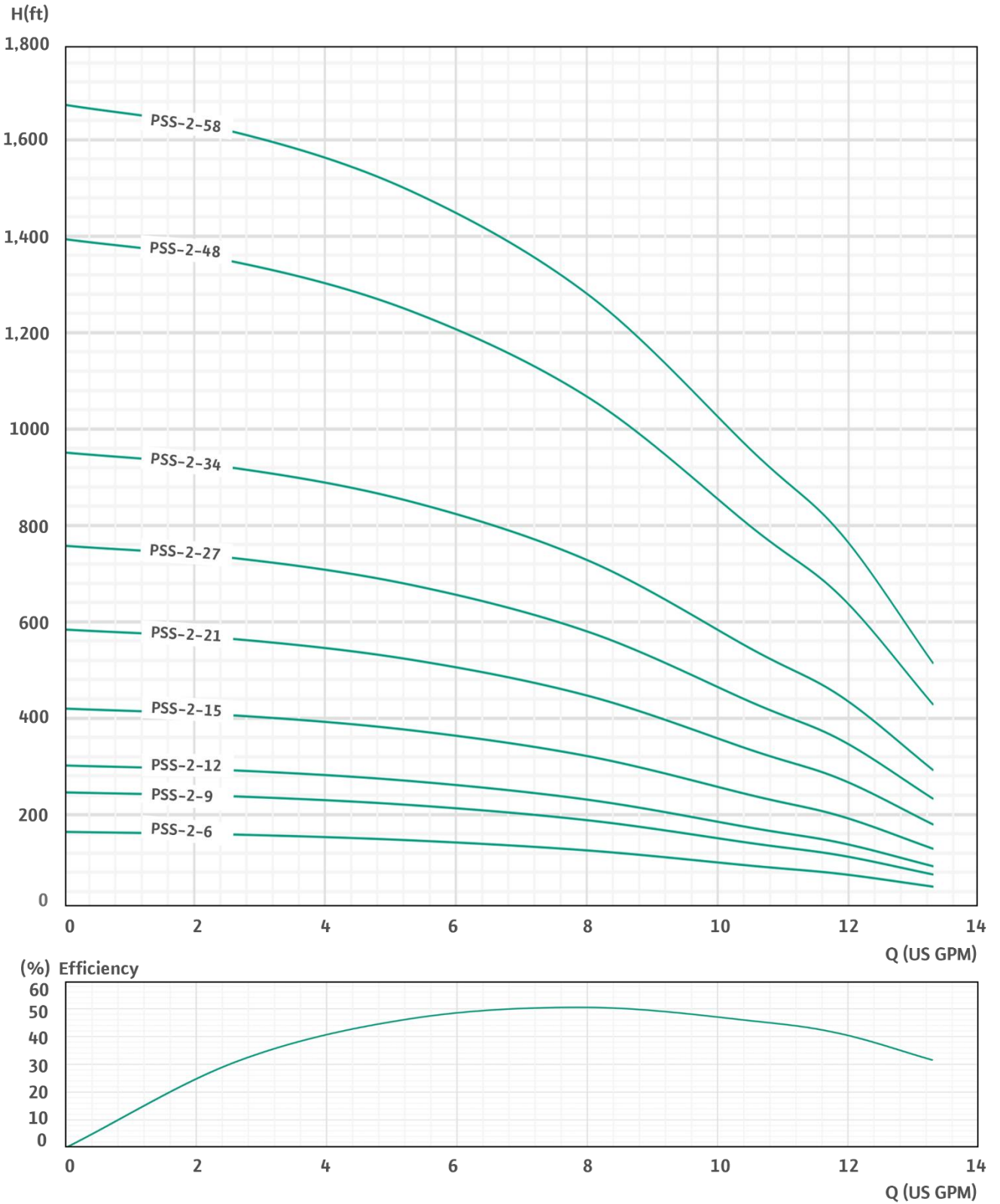
Dimension and weight									60Hz
Model	Motor Wilo	Rated power		Power Source		Dimension			Weight
		kW	HP	Phase	Voltage	A	B	C	Kg
PSS-1-9	MS4-05-1	0.37	0.5	1	230	356	250	606	9.7
PSS-1-9	MS4-05-3	0.37	0.5	3	230/380/460	356	235	591	8.7
PSS-1-13	MS4-05-1	0.37	0.5	1	230	440	250	690	10.4
PSS-1-13	MS4-05-3	0.37	0.5	3	230/380/460	440	235	675	9.4
PSS-1-18	MS4-07-1	0.55	0.75	1	230	545	265	810	12.5
PSS-1-18	MS4-07-3	0.55	0.75	3	230/380/460	545	250	795	11.4
PSS-1-22	MS4-10-1	0.75	1	1	230	629	295	924	15.7
PSS-1-22	MS4-10-3	0.75	1	3	230/380/460	629	265	894	13.4
PSS-1-26	MS4-15-1	1.1	1.5	1	230	713	340	1053	17.0
PSS-1-26	MS4-15-3	1.1	1.5	3	230/380/460	713	295	1008	16.7
PSS-1-31	MS4-15-1	1.1	1.5	1	230	841	340	1181	20.0
PSS-1-31	MS4-15-3	1.1	1.5	3	230/380/460	841	295	1136	19.7
PSS-1-39	MS4-20-1	1.5	2	1	230	1009	375	1384	25.1
PSS-1-39	MS4-20-3	1.5	2	3	230/380/460	1009	340	1349	22.5



- The minimum diameter of well is 106mm
- 98mm is the maximum diameter of pump including cable guard and motor.
- Discharge bore size : 1 ¼" (32mm)

PSS-2 Series

Performance curve

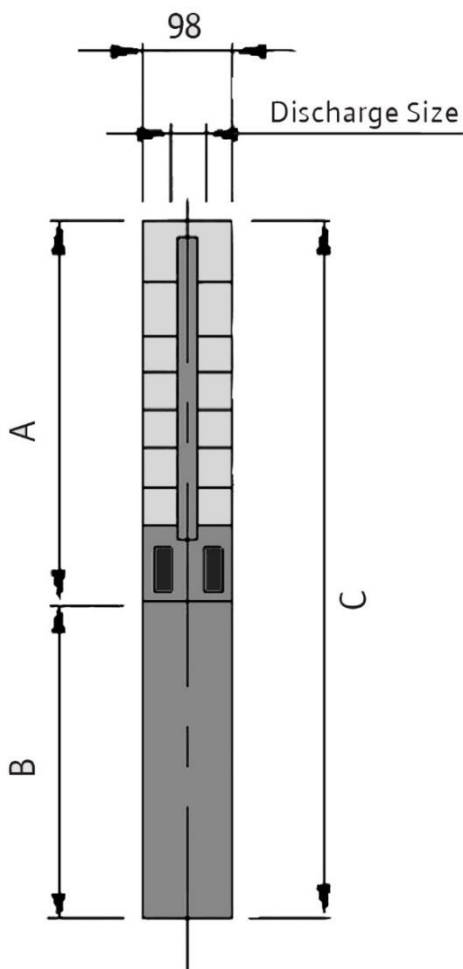


Wilo - PSS Series ~ 4"

PSS-2 Series

Technical data

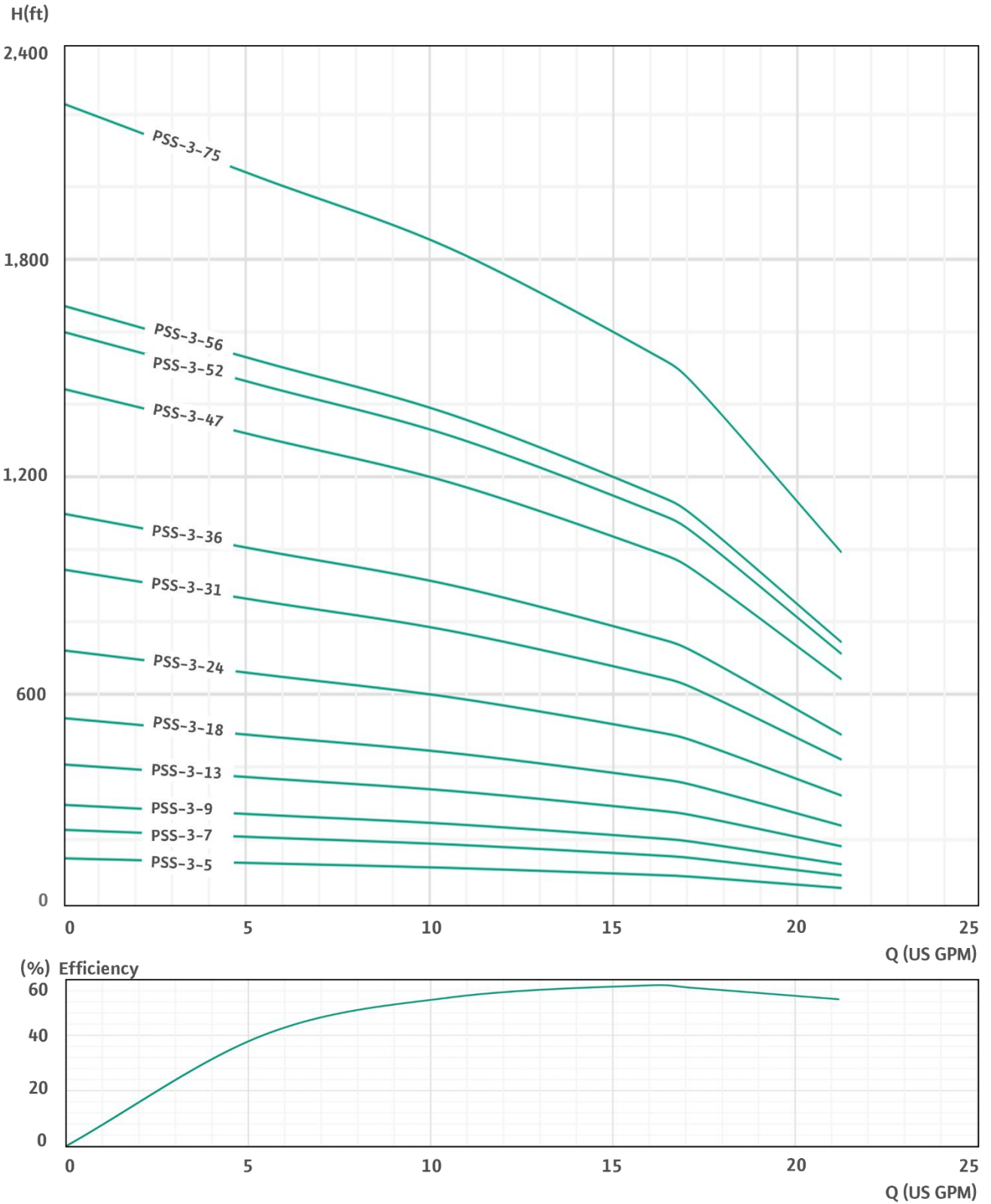
Dimension and weight									60Hz
Model	Motor Wilo	Rated power		Power Source		Dimension			Weight
		kW	HP	Phase	Voltage	A	B	C	Kg
PSS-2-6	MS4-05-1	0.37	0.5	1	230	293	250	543	9.2
PSS-2-6	MS4-05-3	0.37	0.5	3	230/380/460	293	235	528	8.2
PSS-2-9	MS4-05-1	0.37	0.5	1	230	356	250	606	9.8
PSS-2-9	MS4-05-3	0.37	0.5	3	230/380/460	356	235	591	8.8
PSS-2-12	MS4-07-1	0.55	0.75	1	230	419	265	684	11.7
PSS-2-12	MS4-07-3	0.55	0.75	3	230/380/460	419	250	669	10.6
PSS-2-15	MS4-10-1	0.75	1	1	230	482	295	777	14.8
PSS-2-15	MS4-10-3	0.75	1	3	230/380/460	482	265	747	12.5
PSS-2-21	MS4-15-1	1.1	1.5	1	230	608	340	948	16.5
PSS-2-21	MS4-15-3	1.1	1.5	3	230/380/460	608	295	903	16.2
PSS-2-27	MS4-20-1	1.5	2	1	230	734	375	1109	20.4
PSS-2-27	MS4-20-3	1.5	2	3	230/380/460	734	340	1074	17.8
PSS-2-34	MS4-30-1	2.2	3	1	230	904	430	1334	26.4
PSS-2-34	MS4-30-3	2.2	3	3	230/380/460	904	375	1279	24.2
PSS-2-48	MS4-55-3	4	5.5	3	230/380/460	1198	555	1753	37.0
PSS-2-58	MS4-55-3	4	5.5	3	230/380/460	1408	555	1963	40.2



- The minimum diameter of well is 106mm
- 98mm is the maximum diameter of pump including cable guard and motor.
- Discharge bore size : 1 ¼" (32mm)

PSS-3 Series

Performance curve

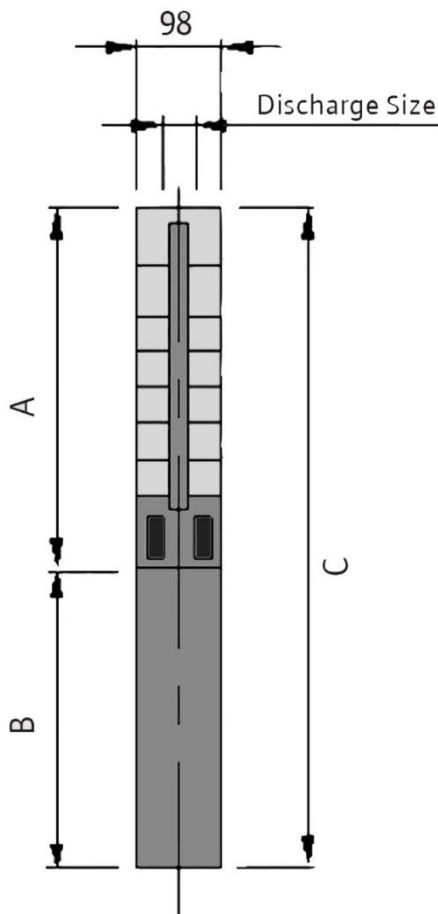


Wilo – PSS Series ~ 4"

PSS-3 Series

Technical data

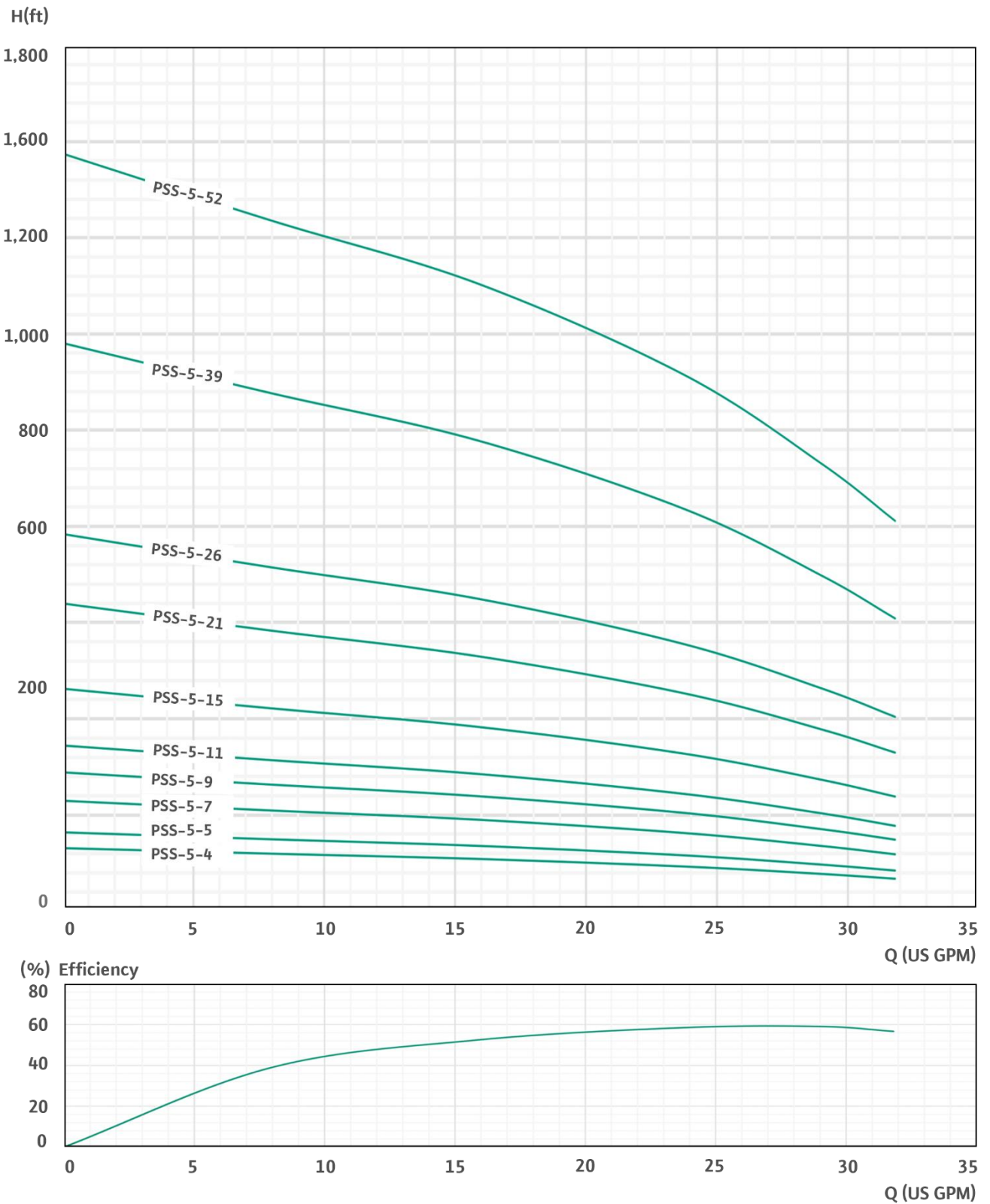
Dimension and weight									60Hz
Model	Motor Wilo	Rated power		Power Source		Dimension			Weight
		kW	HP	Phase	Voltage	A	B	C	Kg
PSS-3-5	MS4-05-1	0.37	0.5	1	230	272	250	522	9.1
PSS-3-5	MS4-05-3	0.37	0.5	3	230/380/460	272	235	507	8.1
PSS-3-7	MS4-07-1	0.55	0.75	1	230	314	265	579	10.7
PSS-3-7	MS4-07-3	0.55	0.75	3	230/380/460	314	250	564	9.6
PSS-3-9	MS4-10-1	0.75	1	1	230	356	295	651	13.6
PSS-3-9	MS4-10-3	0.75	1	3	230/380/460	356	265	621	11.3
PSS-3-13	MS4-15-1	1.1	1.5	1	230	440	340	780	15.0
PSS-3-13	MS4-15-3	1.1	1.5	3	230/380/460	440	295	735	14.7
PSS-3-17	MS4-20-1	1.5	2	1	230	524	375	899	18.5
PSS-3-17	MS4-20-3	1.5	2	3	230/380/460	524	340	864	15.9
PSS-3-23	MS4-30-1	2.2	3	1	230	650	430	1080	22.1
PSS-3-23	MS4-30-3	2.2	3	3	230/380/460	650	375	1025	19.9
PSS-3-31	MS4-50-1	3.7	5	1	230	841	675	1516	38.5
PSS-3-31	MS4-55-3	4	5.5	3	230/380/460	841	555	1396	32.6
PSS-3-38	MS4-55-3	4	5.5	3	230/380/460	988	555	1543	34.9
PSS-3-56	MS4-75-3	5.5	7.5	3	230/380/460	1366	675	2041	45.4
PSS-3-75	MS6-100-3	7.5	10	3	230/380/460	1765	685	2450	70.3



- The minimum diameter of well is 106mm
- 98mm is the maximum diameter of pump including cable guard and motor.
- Discharge bore size : 1 ¼" (32mm)

PSS-5 Series

Performance curve

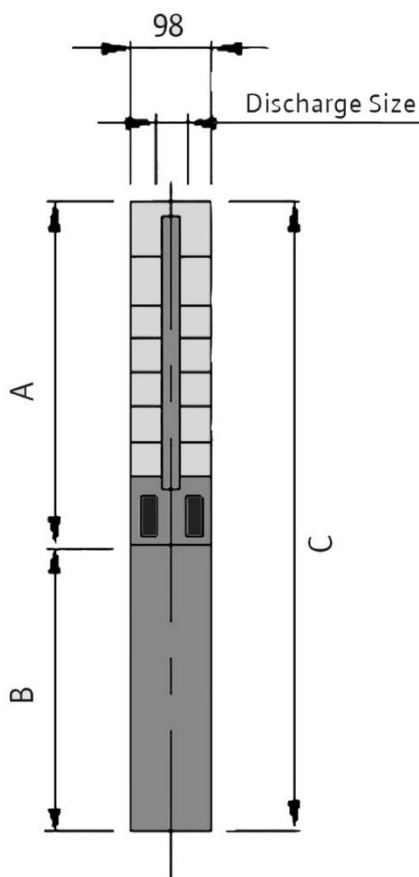


Wilo – PSS Series ~ 4"

PSS-5 Series

Technical data

Dimension and weight									60Hz
Model	Motor Wilo	Rated power		Power Source		Dimension			Weight
		kW	HP	Phase	Voltage	A	B	C	Kg
PSS-5-4	MS4-05-1	0.37	0.5	1	230	251	250	501	8.8
PSS-5-4	MS4-05-3	0.37	0.5	3	230/380/460	251	235	486	7.8
PSS-5-5	MS4-07-1	0.55	0.75	1	230	272	265	537	10.3
PSS-5-5	MS4-07-3	0.55	0.75	3	230/380/460	272	250	522	9.2
PSS-5-7	MS4-10-1	0.75	1	1	230	314	295	609	13.2
PSS-5-7	MS4-10-3	0.75	1	3	230/380/460	314	265	579	10.9
PSS-5-9	MS4-15-1	1.1	1.5	1	230	356	340	696	14.2
PSS-5-9	MS4-15-3	1.1	1.5	3	230/380/460	356	295	651	13.9
PSS-5-11	MS4-20-1	1.5	2	1	230	398	375	773	17.4
PSS-5-11	MS4-20-3	1.5	2	3	230/380/460	398	340	738	14.8
PSS-5-15	MS4-30-1	2.2	3	1	230	482	430	912	20.5
PSS-5-15	MS4-30-3	2.2	3	3	230/380/460	482	375	857	18.3
PSS-5-21	MS4-50-1	3.7	5	1	230	608	675	1283	34.6
PSS-5-21	MS4-55-3	4	5.5	3	230/380/460	608	555	1163	28.7
PSS-5-26	MS4-50-1	3.7	5	1	230	713	675	1388	35.5
PSS-5-26	MS4-55-3	4	5.5	3	230/380/460	713	555	1268	29.6
PSS-5-39	MS4-75-3	5.5	7.5	3	230/380/460	994	675	1669	40.5
PSS-5-52	MS6-100-3	7.5	10	3	230/380/460	1267	685	1952	63.7

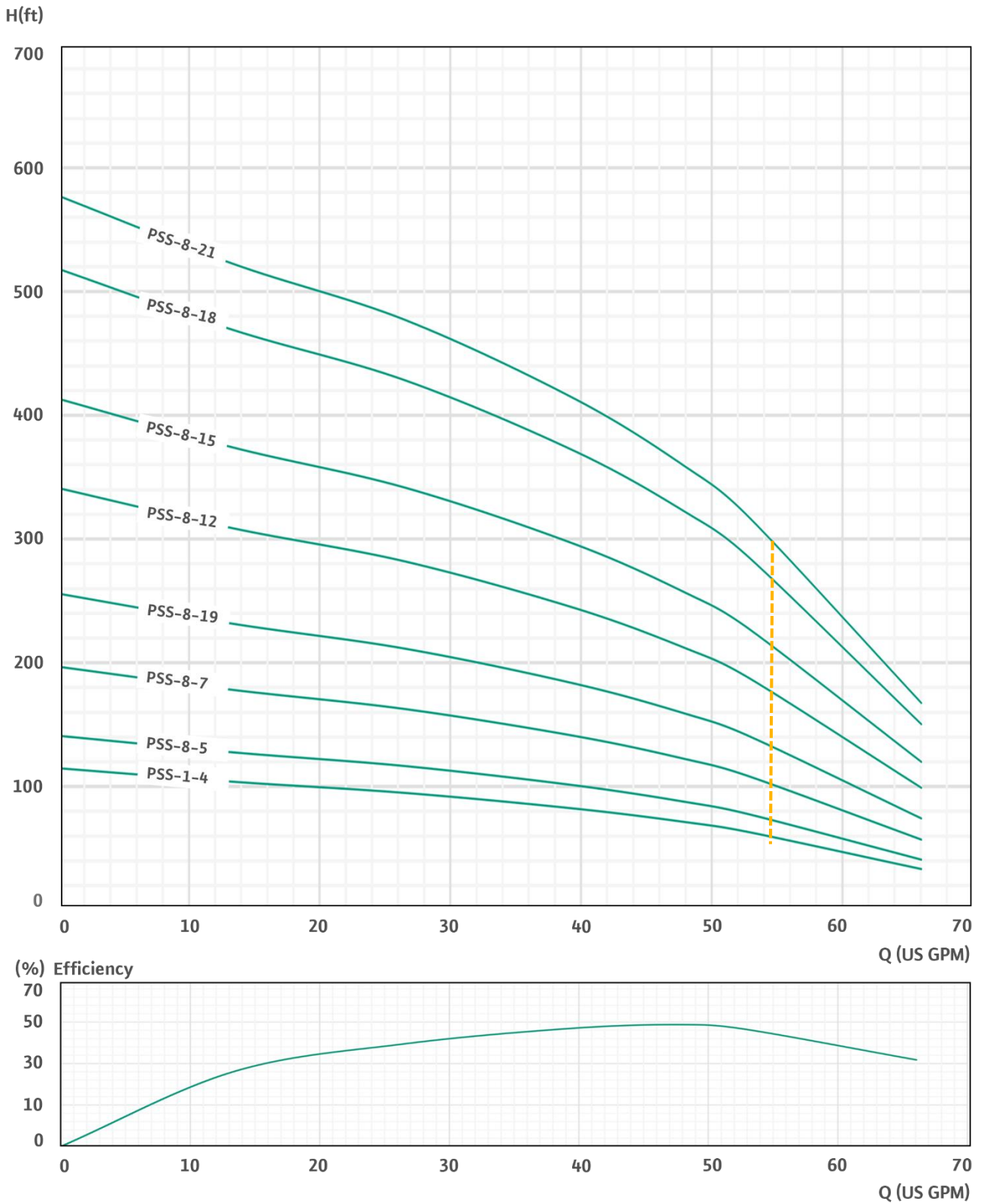


- The minimum diameter of well is 106mm
- 98mm is the maximum diameter of pump including cable guard and motor.
- Discharge bore size : 1 1/2" (40mm)

PSS-8 Series

Performance curve

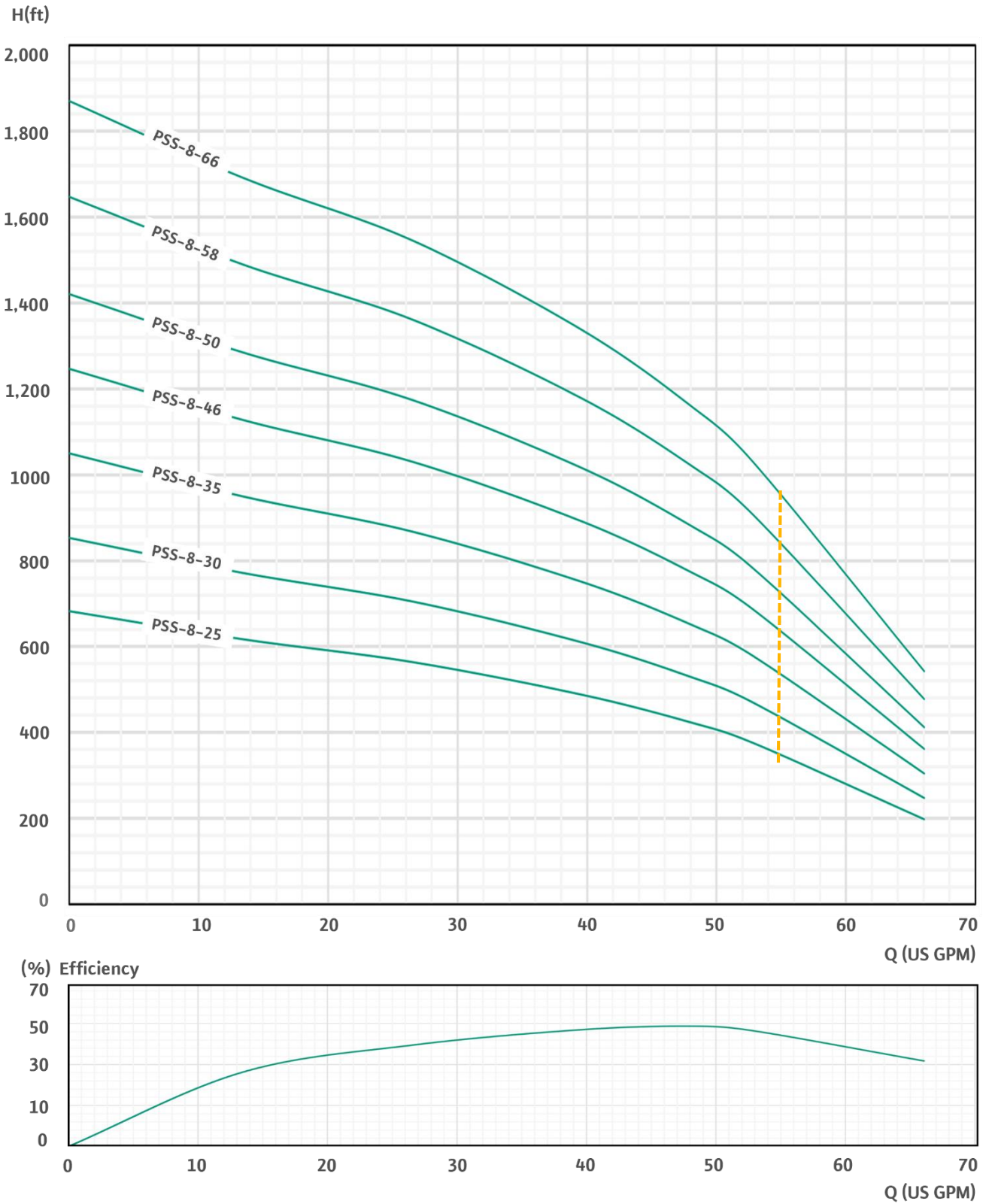
Wilo – PSS Series ~ 4"



Note : Selecting beyond dotted line is not recommended.

PSS-8 Series

Performance curve

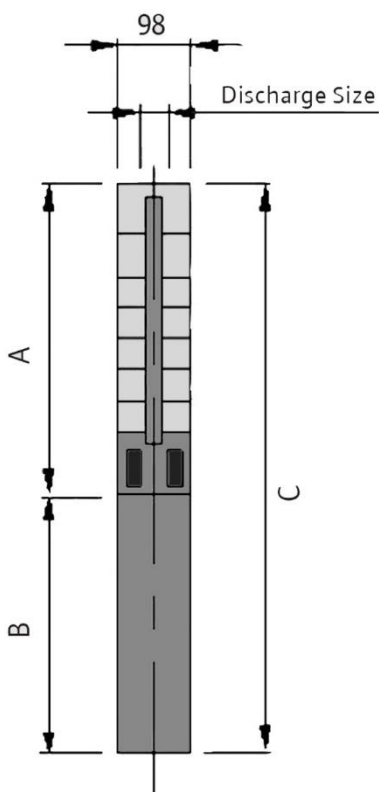


Note : Selecting beyond dotted line is not recommended.

PSS-8 Series

Technical data

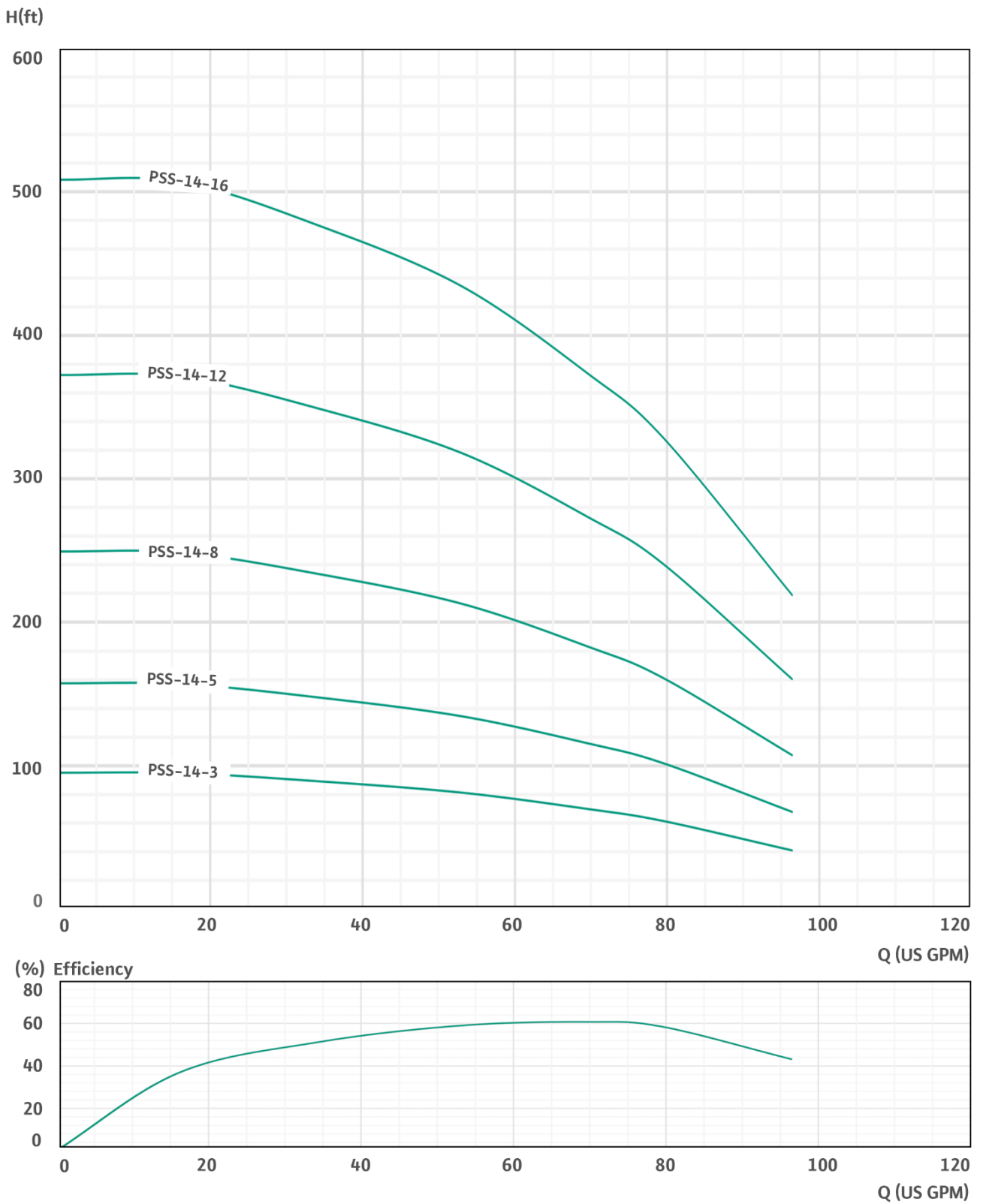
Dimension and weight									60Hz
Model	Motor Wilo	Rated power		Power Source		Dimension			Weight
		kW	HP	Phase	Voltage	A	B	C	Kg
PSS-8-4	MS4-10-1	0.75	1	1	230	370	295	665	14.4
PSS-8-4	MS4-10-3	0.75	1	3	230/380/460	370	265	635	12.1
PSS-8-5	MS4-15-1	1.1	1.5	1	230	412	340	752	15.5
PSS-8-5	MS4-15-3	1.1	1.5	3	230/380/460	412	295	707	15.2
PSS-8-7	MS4-20-1	1.5	2	1	230	496	375	871	19.3
PSS-8-7	MS4-20-3	1.5	2	3	230/380/460	496	340	836	16.7
PSS-8-9	MS4-30-1	2.2	3	1	230	580	430	1010	22.7
PSS-8-9	MS4-30-3	2.2	3	3	230/380/460	580	375	955	20.5
PSS-8-12	MS4-50-1	3.7	5	1	230	706	675	1381	37.1
PSS-8-12	MS4-40-3	3	4	3	230/380/460	706	480	1186	26.1
PSS-8-15	MS4-50-1	3.7	5	1	230	832	675	1507	38.6
PSS-8-15	MS4-55-3	4	5.5	3	230/380/460	832	555	1387	32.7
PSS-8-21	MS4-75-3	5.5	7.5	3	230/380/460	1084	675	1759	41.7
PSS-8-25	MS4-75-3	5.5	7.5	3	230/380/460	1252	675	1927	43.7
PSS-8-30	MS6-100-3	7.5	10	3	230/380/460	1459	685	2144	66.8
PSS-8-37	MS6-150-3	11	15	3	230/380/460	1819	760	2579	78.2
PSS-8-44	MS6-150-3	11	15	3	230/380/460	2113	760	2873	81.8
PSS-8-50	MS6-200-3	15	20	3	230/380/460	2365	800	3165	88.8
PSS-8-58	MS6-200-3	15	20	3	230/380/460	3006	800	3806	122
PSS-8-66	MS6-200-3	15	20	3	230/380/460	3342	800	4142	129



- The minimum diameter of well is 106mm
- 98mm is the maximum diameter of pump including cable guard and motor.
- Discharge bore size : 2" (50mm)

PSS-14 Series

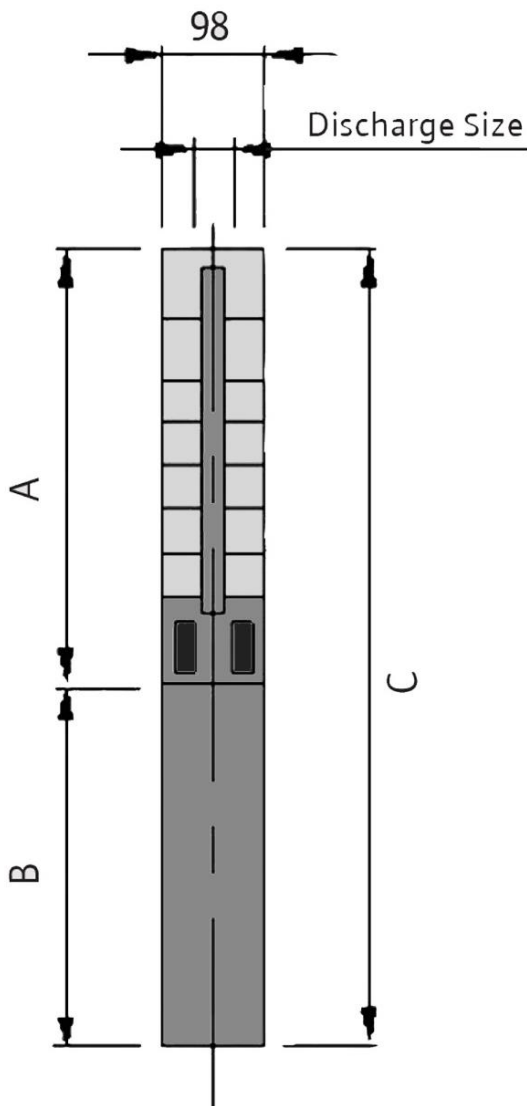
Performance curve



PSS-14 Series

Technical data

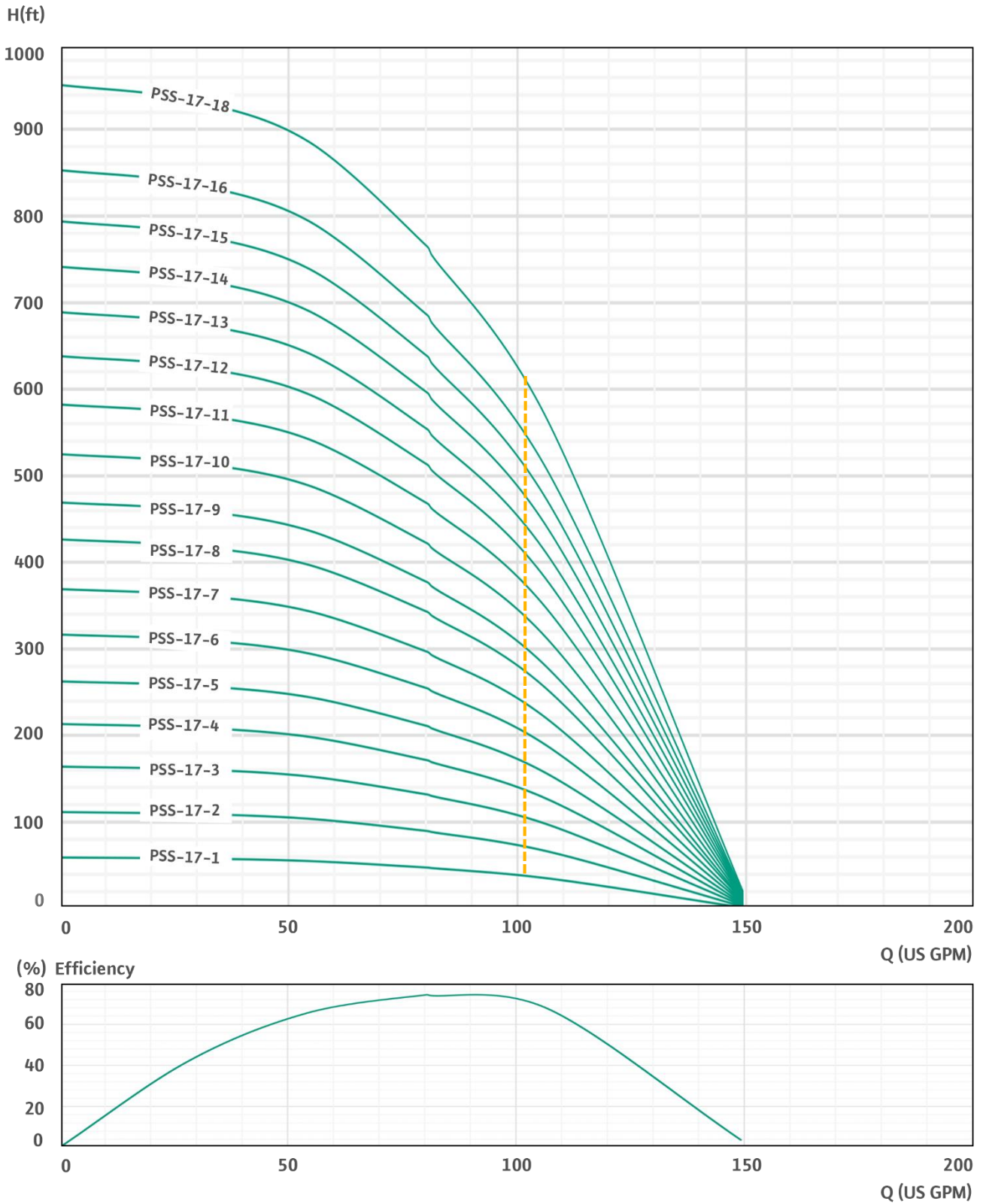
Dimension and weight									60Hz
Model	Motor Wilo	Rated power		Power Source		Dimension			Weight
		kW	HP	Phase	Voltage	A	B	C	Kg
PSS-14-3	MS4-20-1	1.5	2	1	230	375	375	750	17.7
PSS-14-3	MS4-20-3	1.5	2	3	230/380/460	375	340	715	15.1
PSS-14-5	MS4-30-1	2.2	3	1	230	505	430	935	21.4
PSS-14-5	MS4-30-3	2.2	3	3	230/380/460	505	375	880	19.2
PSS-14-8	MS4-50-1	3.7	5	1	230	700	675	1375	36.3
PSS-14-8	MS4-55-3	4	5.5	3	230/380/460	700	555	1255	30.4
PSS-14-12	MS4-75-3	5.5	7.5	3	230/380/460	960	675	1635	38.9
PSS-14-16	MS6-100-3	7.5	10	3	230/380/460	1220	685	1905	62.1
PSS-14-24	MS6-150-3	11	15	3	230/380/460	1650	760	2410	74.4



- The minimum diameter of well is 106mm
- 98mm is the maximum diameter of pump including cable guard and motor.
- Discharge bore size : 2" (50mm)

PSS-17 Series

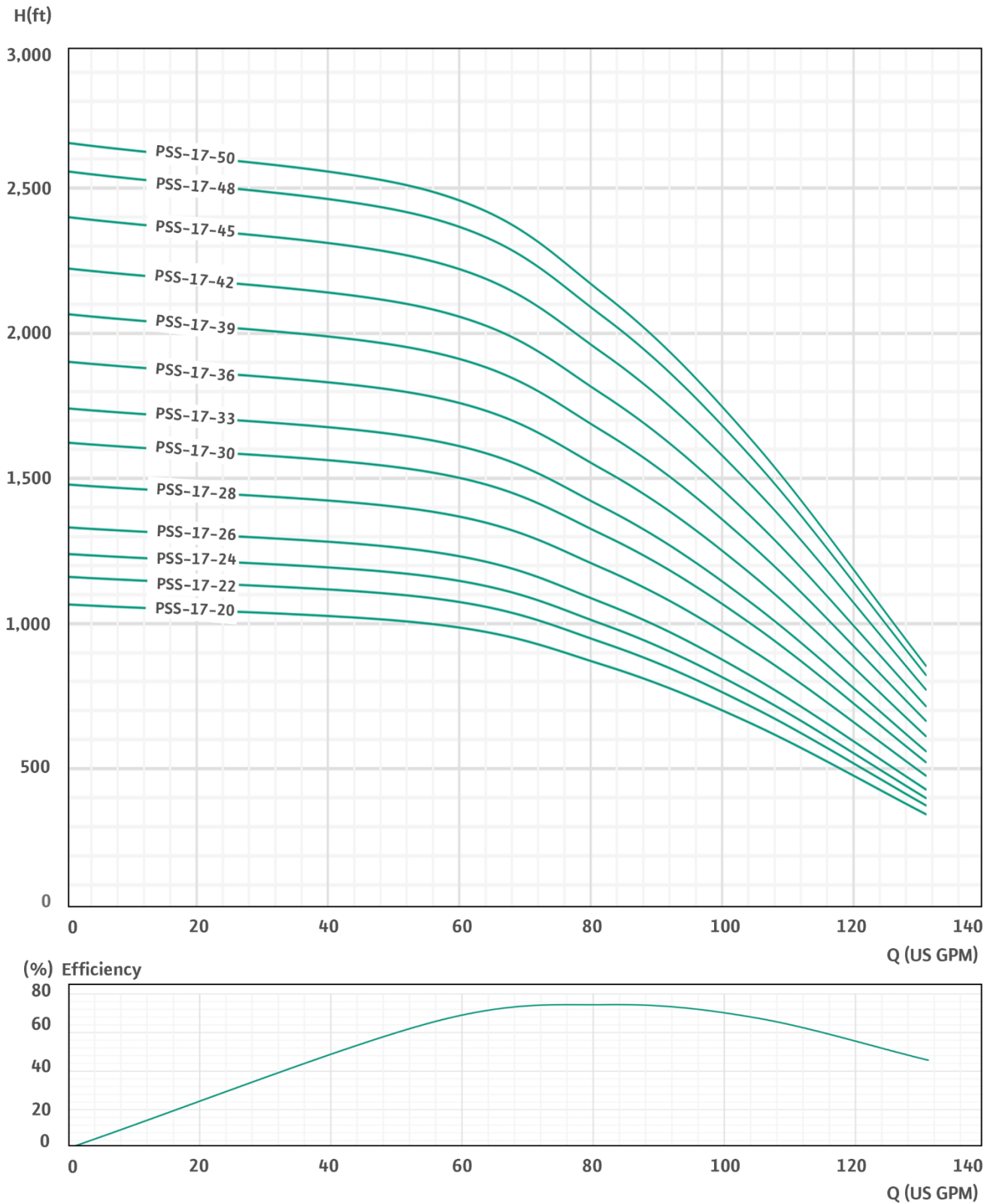
Performance curve



Note : Selecting beyond dotted line is not recommended.

PSS-17 Series

Performance curve

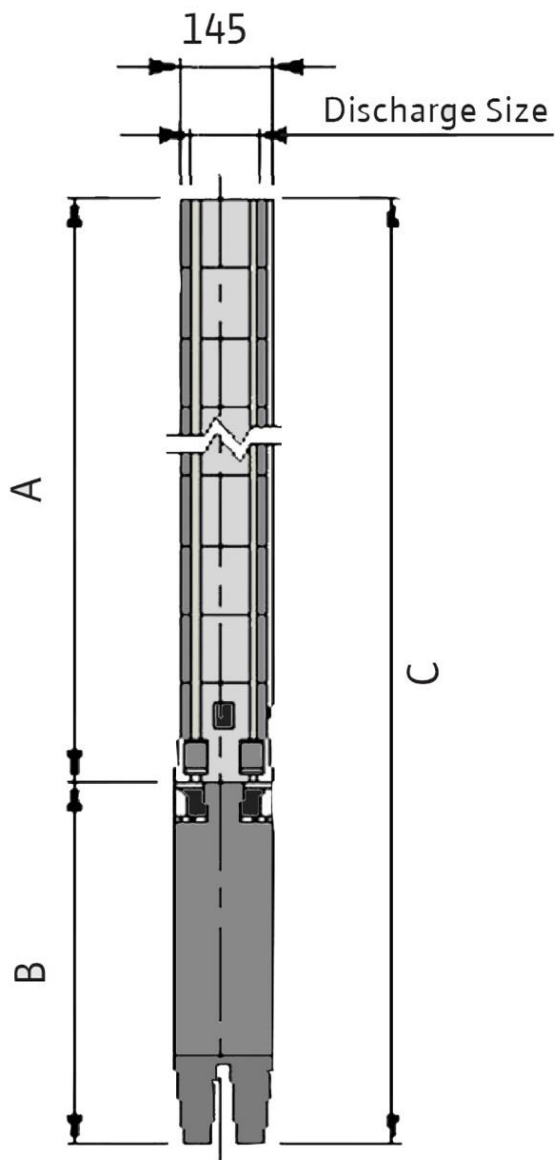


Wilo – PSS Series ~ 6"

PSS-17 Series

Technical data

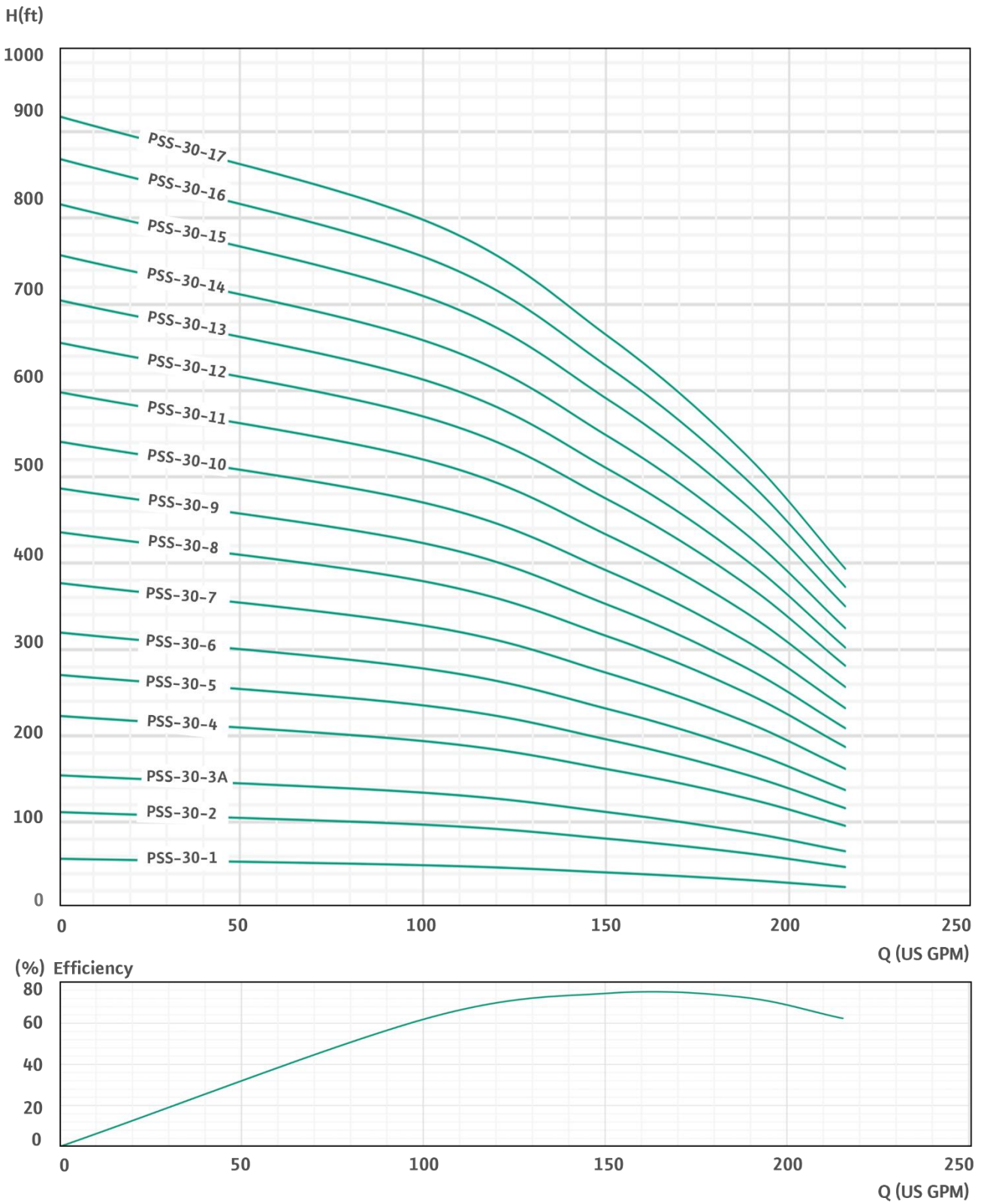
Dimension and weight									60Hz
Model	Motor Wilo	Rated power		Power Source		Dimension			Weight
		kW	HP	Phase	Voltage	A	B	C	Kg
PSS-17-1	MS4-15-1	1.1	1.5	1	230	343	340	683	16.2
PSS-17-1	MS4-15-3	1.1	1.5	3	230/380/460	343	295	638	15.9
PSS-17-2	MS4-30-1	2.2	3	1	230	403	430	833	22.8
PSS-17-2	MS4-30-3	2.2	3	3	230/380/460	403	375	778	20.6
PSS-17-3	MS4-40-3	3	4	3	230/380/460	464	480	944	26.2
PSS-17-4	MS4-55-3	4	5.5	3	230/380/460	524	555	1079	32.7
PSS-17-5	MS4-75-3	5.5	7.5	3	230/380/460	585	675	1260	40.2
PSS-17-6	MS4-75-3	5.5	7.5	3	230/380/460	645	675	1320	41.6
PSS-17-7	MS6-100-3	7.5	10	3	230/380/460	706	685	1391	63.7
PSS-17-8	MS6-100-3	7.5	10	3	230/380/460	766	685	1451	65.1
PSS-17-9	MS6-100-3	7.5	10	3	230/380/460	827	685	1512	66.6
PSS-17-10	MS6-150-3	11	15	3	230/380/460	887	760	1647	76.0
PSS-17-11	MS6-150-3	11	15	3	230/380/460	948	760	1708	77.5
PSS-17-12	MS6-150-3	11	15	3	230/380/460	1008	760	1768	78.9
PSS-17-13	MS6-150-3	11	15	3	230/380/460	1069	760	1829	80.4
PSS-17-14	MS6-200-3	15	20	3	230/380/460	1129	800	1929	85.8
PSS-17-15	MS6-200-3	15	20	3	230/380/460	1190	800	1990	87.3
PSS-17-16	MS6-200-3	15	20	3	230/380/460	1250	800	2050	88.7
PSS-17-18	MS6-200-3	15	20	3	230/380/460	1371	800	2171	91.6
PSS-17-20	MS6-250-3	18.5	25	3	230/380/460	1492	920	2412	106
PSS-17-22	MS6-250-3	18.5	25	3	230/380/460	1613	920	2533	108
PSS-17-24	MS6-300-3	22	30	3	230/380/460	1734	970	2704	118
PSS-17-26	MS6-300-3	22	30	3	230/380/460	1855	970	2825	121
PSS-17-28	MS6-400-3	30	40	3	230/380/460	1976	1060	3036	134
PSS-17-30	MS6-400-3	30	40	3	230/380/460	2097	1060	3157	137
PSS-17-33	MS6-300-3	22	30	3	230/380/460	2279	970	3249	136
PSS-17-36	MS6-300-3	22	30	3	230/380/460	2460	970	3430	140
PSS-17-39	MS6-500-3	37	50	3	230/380/460	2642	1060	3702	152
PSS-17-42	MS6-500-3	37	50	3	230/380/460	3195	1060	4255	153
PSS-17-45	NU 611-2/37	45	60	3	380/460	3377	1381	4758	170
PSS-17-48	NU 611-2/37	45	60	3	380/460	3558	1381	4939	171
PSS-17-50	NU 611-2/37	45	60	3	380/460	3679	1381	5060	172



- The minimum diameter of well is 156mm
- 145mm is the maximum diameter of pump including cable guard and motor.
- Discharge bore size : 2½" (65mm)
- Using 4 inch motor below 7.5 HP model

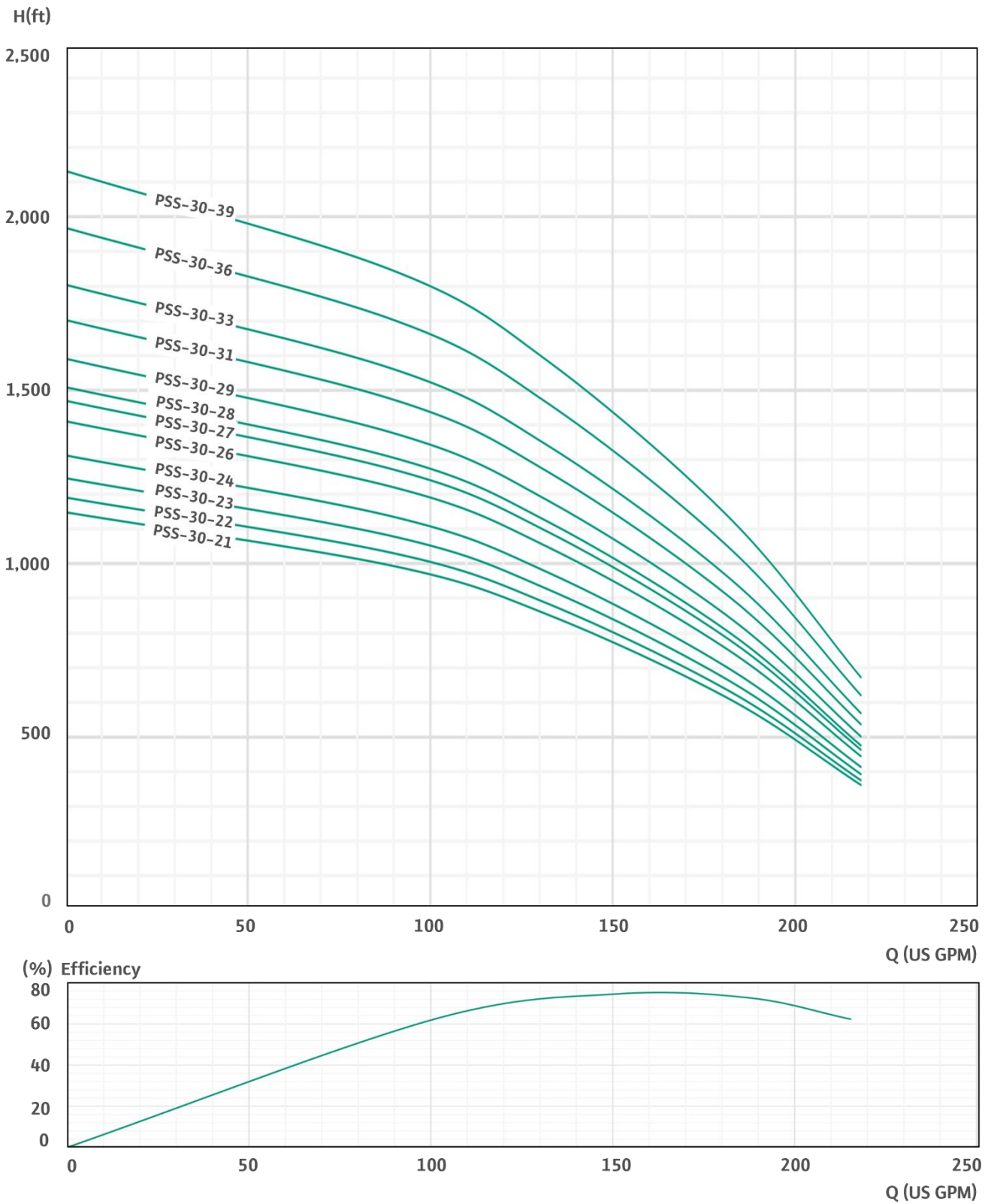
PSS-30 Series

Performance curve



PSS-30 Series

Performance curve

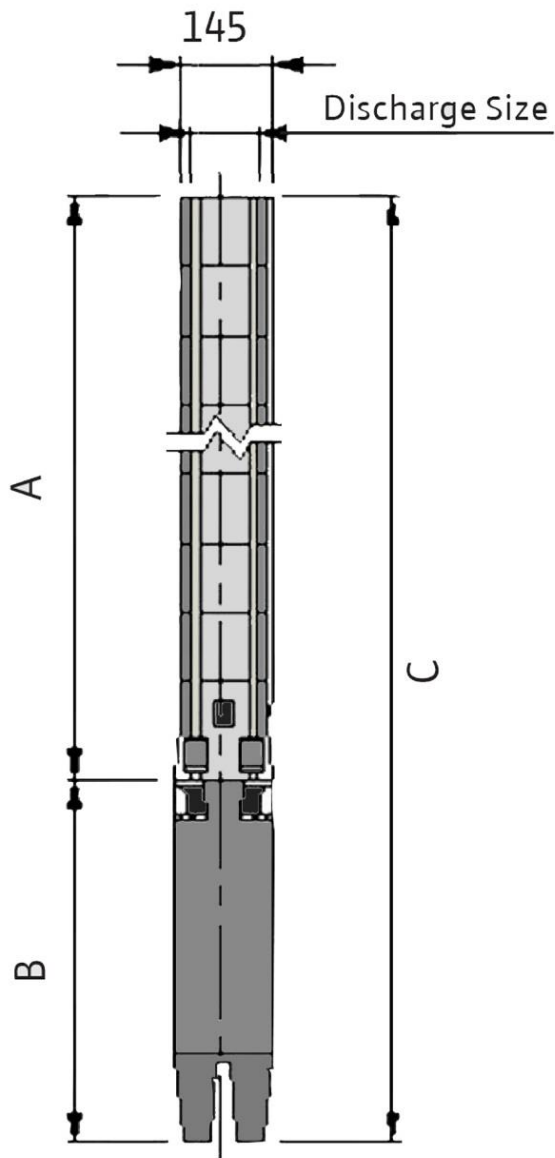


Wilo – PSS Series ~ 6"

PSS-30 Series

Technical data

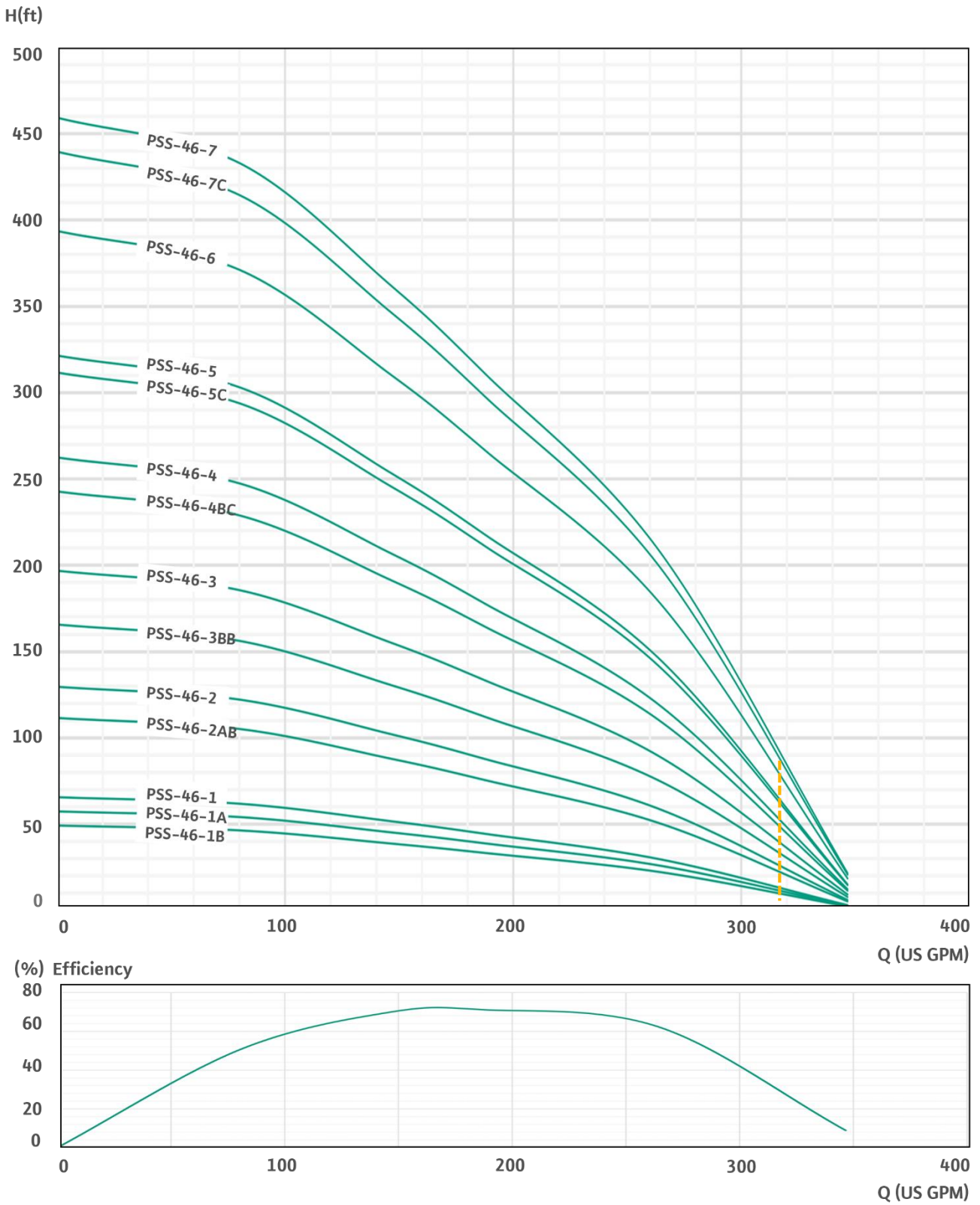
Dimension and weight									60Hz
Model	Motor Wilo	Rated power		Power Source		Dimension			Weight
		kW	HP	Phase	Voltage	A	B	C	Kg
PSS-30-1	MS4-20-1	1.5	2	1	230	366	375	741	20.7
PSS-30-1	MS4-20-3	1.5	2	3	230/380/460	366	340	706	18.1
PSS-30-2	MS4-40-3	3	4	3	230/380/460	462	480	942	26.7
PSS-30-3	MS4-55-3	4	5.5	3	230/380/460	558	555	1113	33.5
PSS-30-3A	MS4-55-3	4	5.5	3	230/380/460	558	555	1113	33.5
PSS-30-4	MS4-75-3	5.5	7.5	3	230/380/460	654	675	1329	41.2
PSS-30-5	MS6-100-3	7.5	10	3	230/380/460	750	685	1435	63.5
PSS-30-6	MS6-150-3	11	15	3	230/380/460	846	760	1606	73.0
PSS-30-7	MS6-150-3	11	15	3	230/380/460	942	760	1702	74.9
PSS-30-8	MS6-150-3	11	15	3	230/380/460	1038	760	1798	76.6
PSS-30-9	MS6-200-3	15	20	3	230/380/460	1134	800	1934	82.0
PSS-30-10	MS6-200-3	15	20	3	230/380/460	1230	800	2030	84.0
PSS-30-11	MS6-200-3	15	20	3	230/380/460	1326	800	2126	85.6
PSS-30-12	MS6-250-3	18.5	25	3	230/380/460	1422	920	2342	98.3
PSS-30-13	MS6-250-3	18.5	25	3	230/380/460	1518	920	2438	99.9
PSS-30-14	MS6-250-3	18.5	25	3	230/380/460	1614	920	2534	102
PSS-30-15	MS6-300-3	22	30	3	230/380/460	1710	970	2680	110
PSS-30-16	MS6-300-3	22	30	3	230/380/460	1806	970	2776	112
PSS-30-17	MS6-300-3	22	30	3	230/380/460	1902	970	2872	114
PSS-30-21	MS6-400-3	30	40	3	230/380/460	2286	1060	3346	131
PSS-30-22	MS6-400-3	30	40	3	230/380/460	2382	1060	3442	132
PSS-30-23	MS6-400-3	30	40	3	230/380/460	2478	1060	3538	134
PSS-30-24	MS6-500-3	37	50	3	230/380/460	2574	1060	3634	136
PSS-30-26	MS6-500-3	37	50	3	230/380/460	2766	1060	3826	139
PSS-30-27	MS6-500-3	37	50	3	230/380/460	2862	1060	3922	141
PSS-30-28	MS6-500-3	37	50	3	230/380/460	2958	1060	4018	142
PSS-30-29	NU 611-2/37	45	60	3	380/460	3054	1381	4435	160
PSS-30-31	NU 611-2/37	45	60	3	380/460	3246	1381	4627	164
PSS-30-33	NU 611-2/37	45	60	3	380/460	3438	1381	4819	167
PSS-30-36	NU 801-2/55	55	75	3	380/460	3754	1145	4899	209
PSS-30-39	NU 801-2/55	55	75	3	380/460	4042	1145	5187	212



- The minimum diameter of well is 156mm
- 145mm is the maximum diameter of pump including cable guard and motor.
- Discharge bore size : 3" (80mm)
- Using 4 inch motor below 7.5 HP model

PSS-46 Series

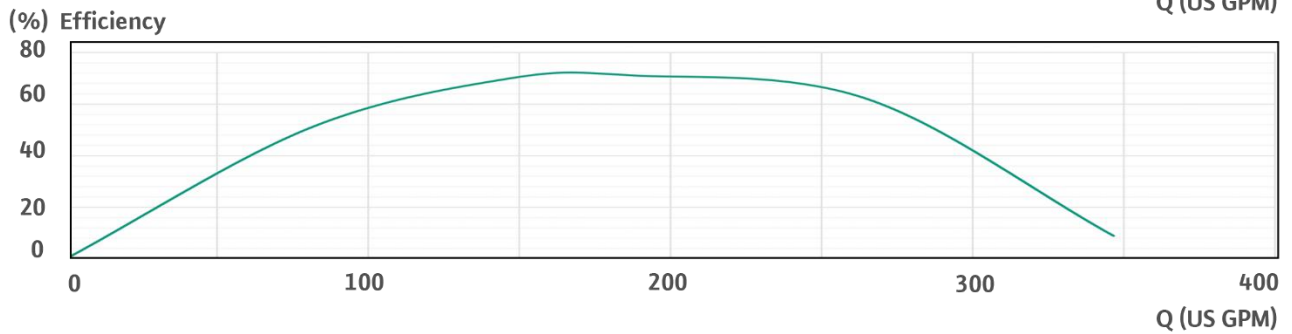
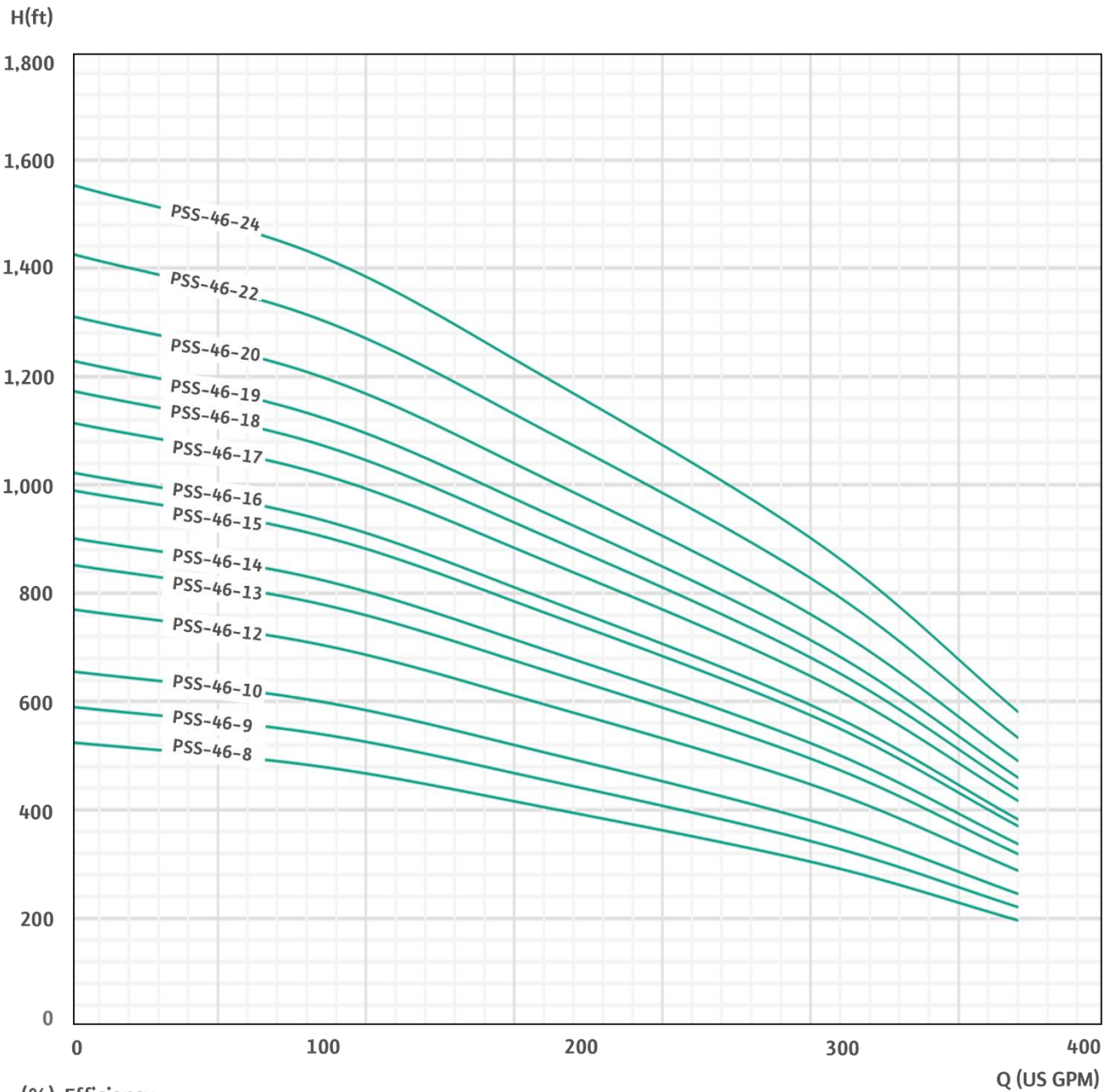
Performance curve



Note : Selecting beyond dotted line is not recommended.

PSS-46 Series

Performance curve

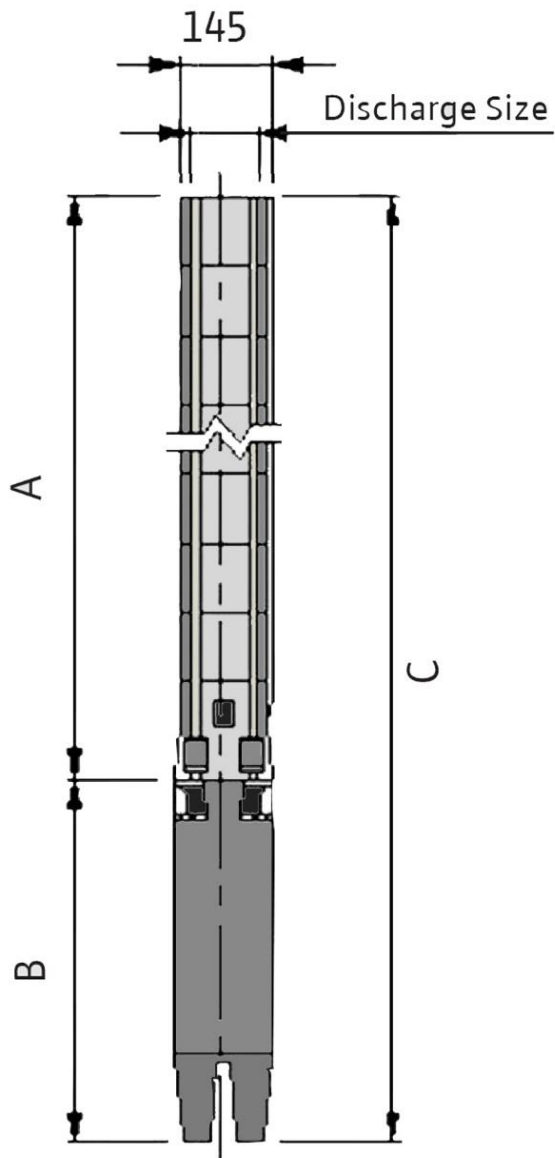


Wilo – PSS Series ~ 6"

PSS-46 Series

Technical data

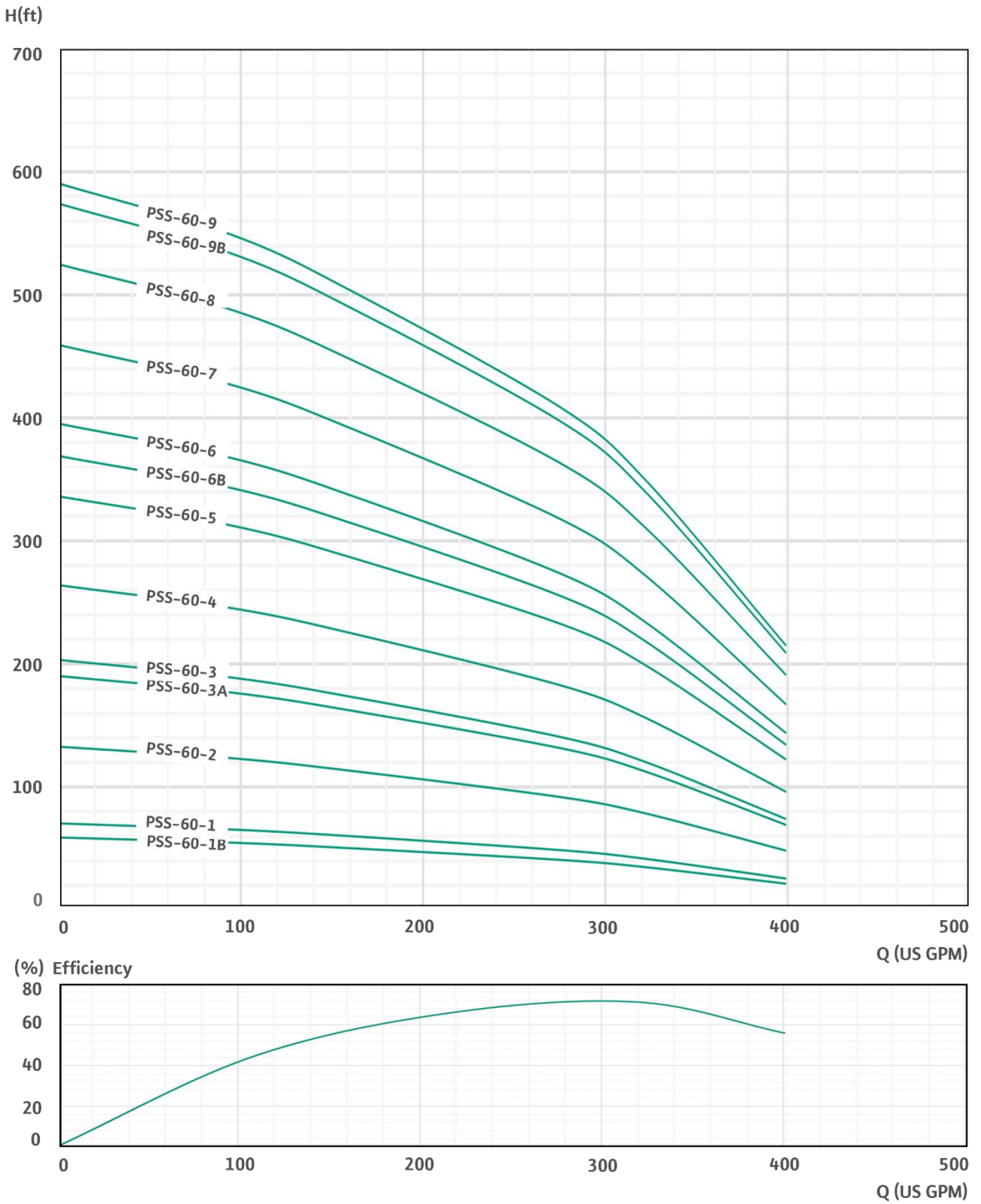
Dimension and weight									60Hz
Model	Motor Wilo	Rated power		Power Source		Dimension			Weight
		kW	HP	Phase	Voltage	A	B	C	Kg
PSS-46-1B	MS4-20-1	1.5	2	1	230	383	375	758	20.9
PSS-46-1B	MS4-20-3	1.5	2	3	230/380/460	383	340	723	18.3
PSS-46-1A	MS4-30-1	2.2	3	1	230	383	430	813	23.3
PSS-46-1A	MS4-30-3	2.2	3	3	230/380/460	383	375	758	21.1
PSS-46-1	MS4-40-3	3	4	3	230/380/460	383	480	863	25.2
PSS-46-2AB	MS4-55-3	4	5.5	3	230/380/460	496	555	1051	32.6
PSS-46-2	MS4-75-3	5.5	7.5	3	230/380/460	496	675	1171	38.6
PSS-46-3BB	MS4-75-3	5.5	7.5	3	230/380/460	609	675	1284	40.9
PSS-46-3	MS6-100-3	7.5	10	3	230/380/460	609	685	1294	61.5
PSS-46-4BC	MS6-100-3	7.5	10	3	230/380/460	722	685	1407	63.7
PSS-46-4	MS6-150-3	11	15	3	230/380/460	722	760	1482	71.7
PSS-46-5C	MS6-150-3	11	15	3	230/380/460	835	760	1595	74.0
PSS-46-5	MS6-200-3	15	20	3	230/380/460	835	800	1635	78.0
PSS-46-6	MS6-200-3	15	20	3	230/380/460	948	800	1748	80.3
PSS-46-7C	MS6-200-3	15	20	3	230/380/460	1061	800	1861	82.6
PSS-46-7	MS6-250-3	18.5	25	3	230/380/460	1061	920	1981	93.6
PSS-46-8	MS6-250-3	18.5	25	3	230/380/460	1174	920	2094	95.9
PSS-46-9	MS6-300-3	22	30	3	230/380/460	1287	970	2257	105
PSS-46-10	MS6-300-3	22	30	3	230/380/460	1400	970	2370	107
PSS-46-12	MS6-400-3	30	40	3	230/380/460	1626	1060	2686	120
PSS-46-13	MS6-400-3	30	40	3	230/380/460	1739	1060	2799	124
PSS-46-14	MS6-500-3	37	50	3	230/380/460	1852	1060	2912	127
PSS-46-15	MS6-500-3	37	50	3	230/380/460	1965	1060	3025	129
PSS-46-16	MS6-500-3	37	50	3	230/380/460	2078	1060	3138	131
PSS-46-17	MS6-500-3	37	50	3	230/380/460	2191	1060	3251	133
PSS-46-18	NU 611-2/37	45	60	3	380/460	2304	1381	3685	152
PSS-46-19	NU 611-2/37	45	60	3	380/460	2417	1381	3798	154
PSS-46-20	NU 611-2/37	45	60	3	380/460	2530	1381	3911	156
PSS-46-22	NU 801-2/55	55	75	3	380/460	2784	1145	3929	200
PSS-46-24	NU 801-2/55	55	75	3	380/460	3010	1145	4155	202



- The minimum diameter of well is 156mm
- 145mm is the maximum diameter of pump including cable guard and motor.
- Discharge bore size : 4" (100mm)
- Using 4 inch motor below 7.5 HP model

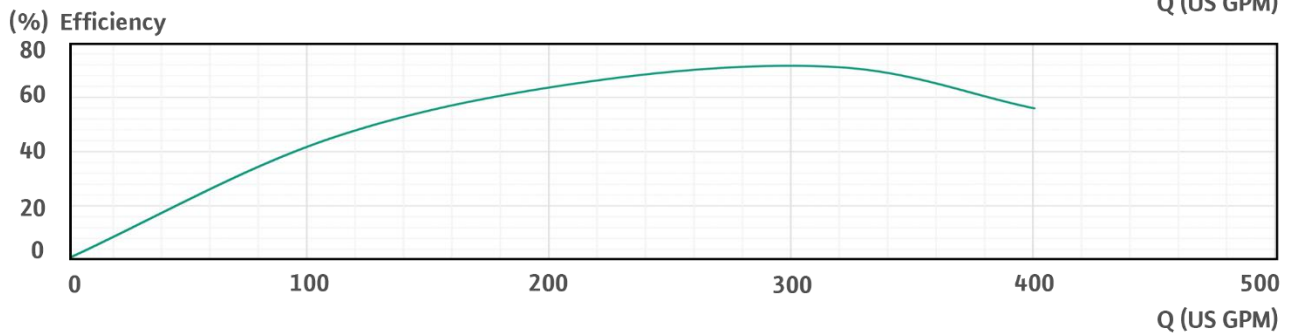
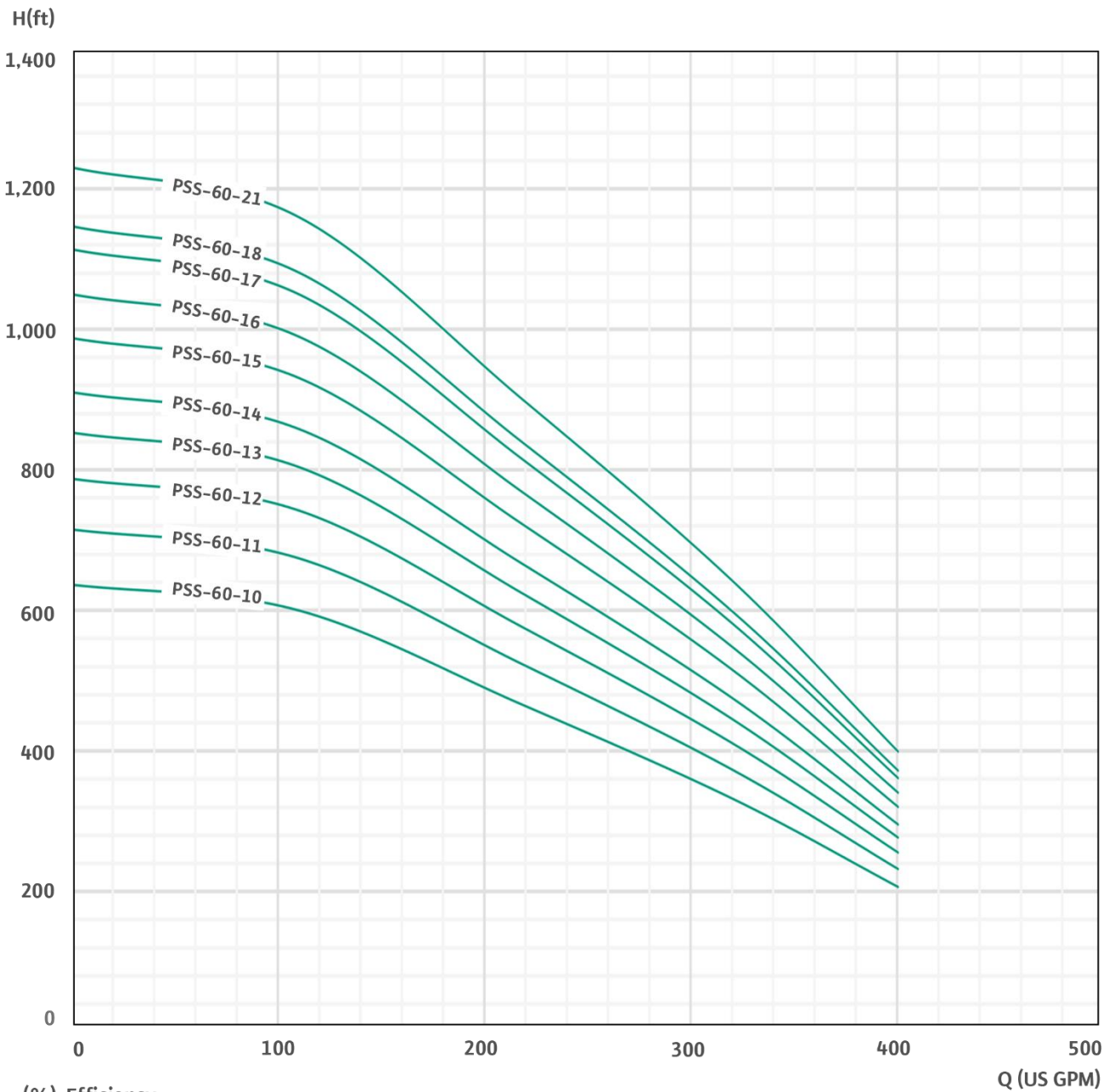
PSS-60 Series

Performance curve



PSS-60 Series

Performance curve

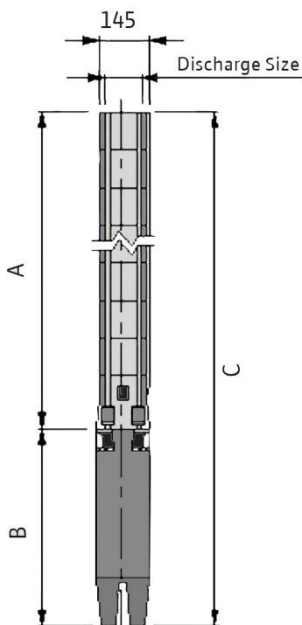


Wilo – PSS Series ~ 6"

PSS-60 Series

Technical data

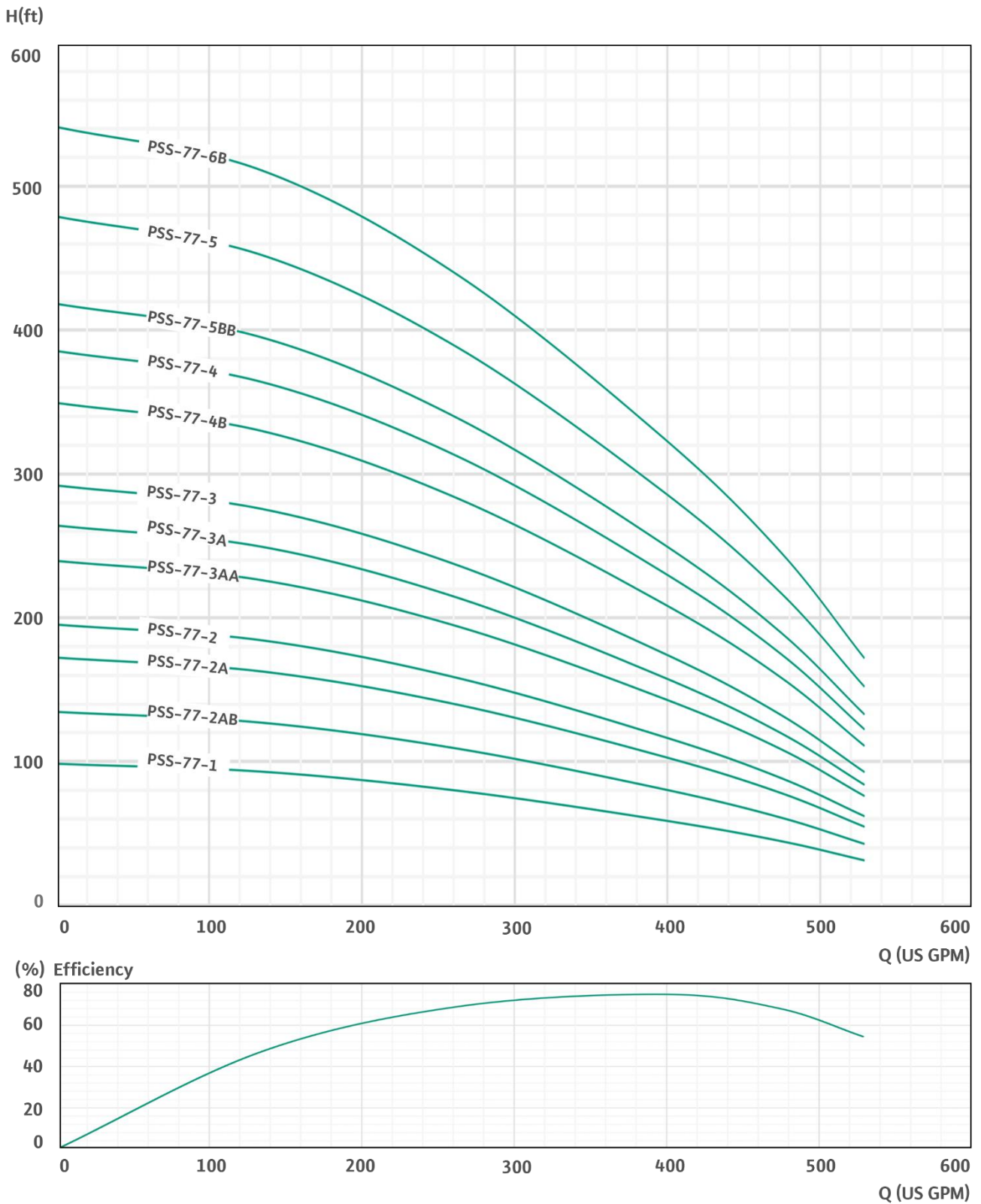
Dimension and weight									60Hz
Model	Motor Wilo	Rated power		Power Source		Dimension			Weight
		kW	HP	Phase	Voltage	A	B	C	Kg
PSS-60-1B	MS4-30-1	2.2	3	1	230	383	430	813	23.3
PSS-60-1B	MS4-30-3	2.2	3	3	230/380/460	383	375	758	21.1
PSS-60-1	MS4-55-3	4	5.5	3	230/380/460	383	555	938	30.3
PSS-60-2	MS4-75-3	5.5	7.5	3	230/380/460	496	675	1171	38.6
PSS-60-3A	MS6-100-3	7.5	10	3	230/380/460	609	685	1294	61.5
PSS-60-3	MS6-150-3	11	15	3	230/380/460	609	760	1369	69.5
PSS-60-4	MS6-150-3	11	15	3	230/380/460	722	760	1482	71.7
PSS-60-5	MS6-200-3	15	20	3	230/380/460	835	800	1635	78.0
PSS-60-6B	MS6-200-3	15	20	3	230/380/460	948	800	1748	80.3
PSS-60-6	MS6-250-3	18.5	25	3	230/380/460	948	920	1868	91.3
PSS-60-7	MS6-250-3	18.5	25	3	230/380/460	1061	920	1981	93.6
PSS-60-8	MS6-300-3	22	30	3	230/380/460	1174	970	2144	103
PSS-60-9B	MS6-300-3	22	30	3	230/380/460	1287	970	2257	105
PSS-60-9	MS6-400-3	30	40	3	230/380/460	1287	1060	2347	115
PSS-60-10	MS6-400-3	30	40	3	230/380/460	1400	1060	2460	117
PSS-60-11	MS6-400-3	30	40	3	230/380/460	1513	1060	2573	120
PSS-60-12	MS6-500-3	37	50	3	230/380/460	1626	1060	2686	122
PSS-60-13	MS6-500-3	37	50	3	230/380/460	1739	1060	2799	124
PSS-60-14	MS6-500-3	37	50	3	230/380/460	1852	1060	2912	127
PSS-60-15	NU 611-2/37	45	60	3	380/460	1965	1381	3346	145
PSS-60-16	NU 611-2/37	45	60	3	380/460	2078	1381	3459	147
PSS-60-17	NU 611-2/37	45	60	3	380/460	2191	1381	3572	149
PSS-60-18	NU 801-2/55	55	75	3	380/460	2332	1145	3477	191
PSS-60-21	NU 801-2/75	78	100	3	380/460	2671	1345	4016	232



- The minimum diameter of well is 156mm
- 145mm is the maximum diameter of pump including cable guard and motor.
- Discharge bore size : 4" (100mm)
- Using 4 inch motor below 7.5 HP model

PSS-77 Series

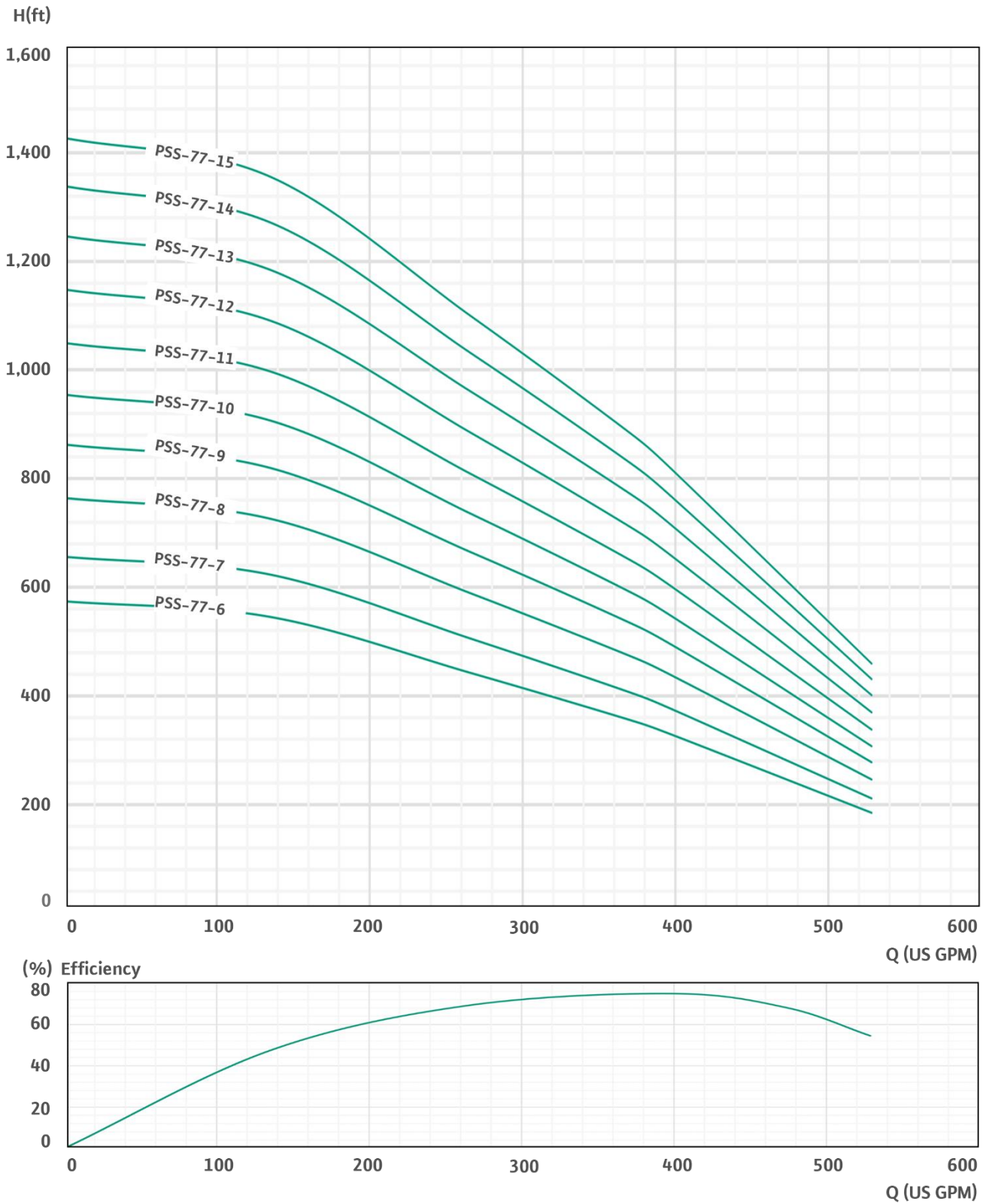
Performance curve



Wilco - PSS Series ~ 8"

PSS-77 Series

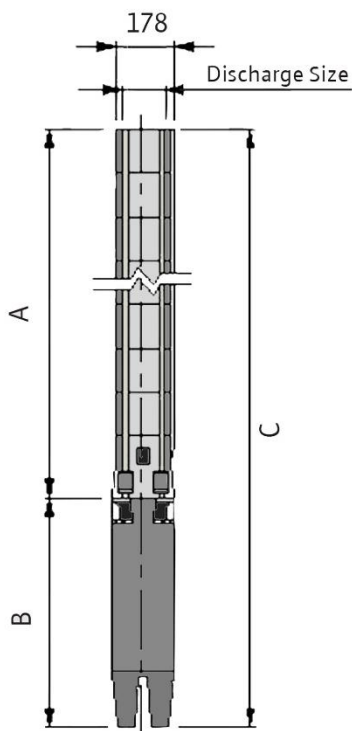
Performance curve



PSS-77 Series

Technical data

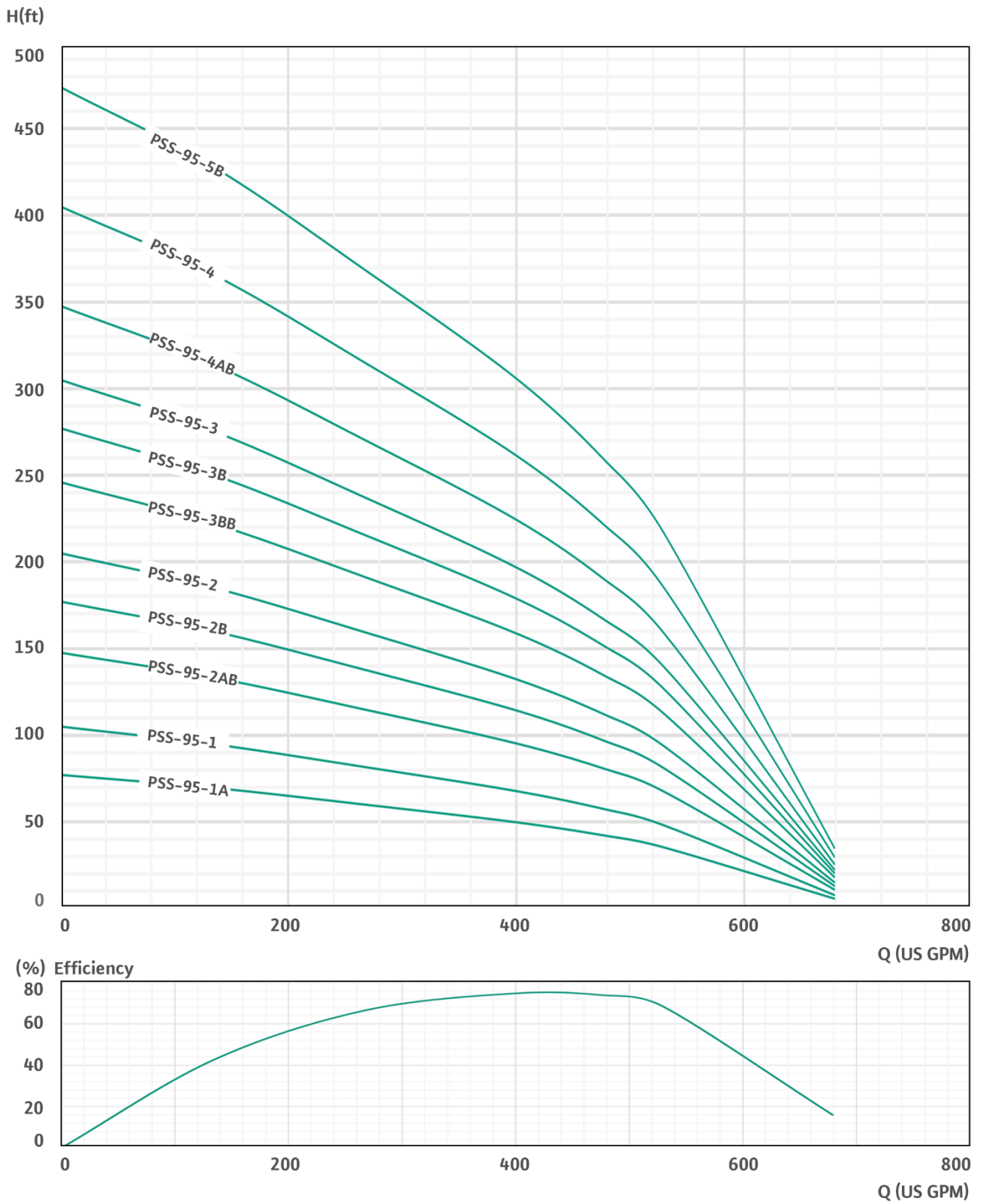
Dimension and weight									60Hz
Model	Motor Wilo	Rated power		Power Source		Dimension			Weight
		kW	HP	Phase	Voltage	A	B	C	Kg
PSS-77-1	MS6-75-3	5.5	7.5	3	230/380/460	618	630	1248	70.1
PSS-77-2AB	MS6-100-3	7.5	10	3	230/380/460	746	685	1431	78.7
PSS-77-2A	MS6-150-3	11	15	3	230/380/460	746	760	1506	86.7
PSS-77-2	MS6-150-3	11	15	3	230/380/460	746	760	1506	86.7
PSS-77-3AA	MS6-200-3	15	20	3	230/380/460	874	800	1674	94.3
PSS-77-3A	MS6-200-3	15	20	3	230/380/460	874	800	1674	94.3
PSS-77-3	MS6-250-3	18.5	25	3	230/380/460	874	920	1794	105
PSS-77-4B	MS6-250-3	18.5	25	3	230/380/460	1003	920	1923	109
PSS-77-4	MS6-300-3	22	30	3	230/380/460	1003	970	1973	116
PSS-77-5BB	MS6-300-3	22	30	3	230/380/460	1131	970	2101	120
PSS-77-5	MS6-400-3	30	40	3	230/380/460	1131	1060	2191	130
PSS-77-6B	MS6-400-3	30	40	3	230/380/460	1259	1060	2319	133
PSS-77-6	MS6-500-3	37	50	3	230/380/460	1259	1060	2319	133
PSS-77-7	MS6-500-3	37	50	3	230/380/460	1387	1060	2447	137
PSS-77-8	NU 611-2/37	45	60	3	380/460	1527	1381	2908	158
PSS-77-9	NU 801-2/55	55	75	3	380/460	1655	1145	2800	200
PSS-77-10	NU 801-2/55	55	75	3	380/460	1783	1145	2928	204
PSS-77-11	NU 801-2/60	63	85	3	380/460	1911	1195	3106	215
PSS-77-12	NU 801-2/60	63	85	3	380/460	2039	1195	3234	219
PSS-77-13	NU 801-2/75	78	100	3	380/460	2168	1345	3513	250
PSS-77-14	NU 801-2/75	78	100	3	380/460	2296	1345	3641	253
PSS-77-15	NU 811-2/90	100	125	3	380/460	2424	1380	3804	280



- The minimum diameter of well is 205mm
- 178mm is the maximum diameter of pump including cable guard and motor.
- Discharge bore size : 5" (125mm)
- Using 6 inch motor to PSS-77 series

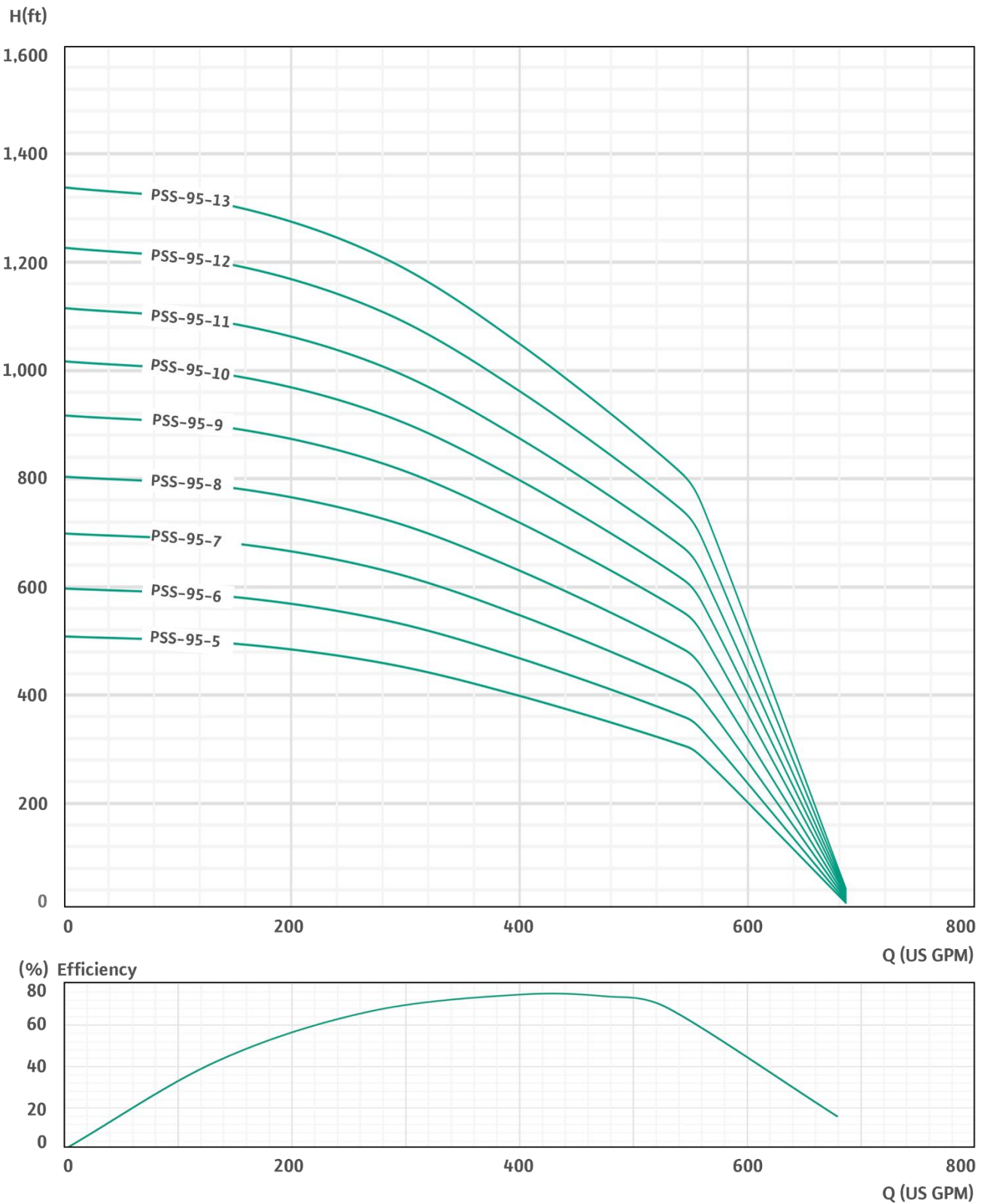
PSS-95 Series

Performance curve



PSS-95 Series

Performance curve



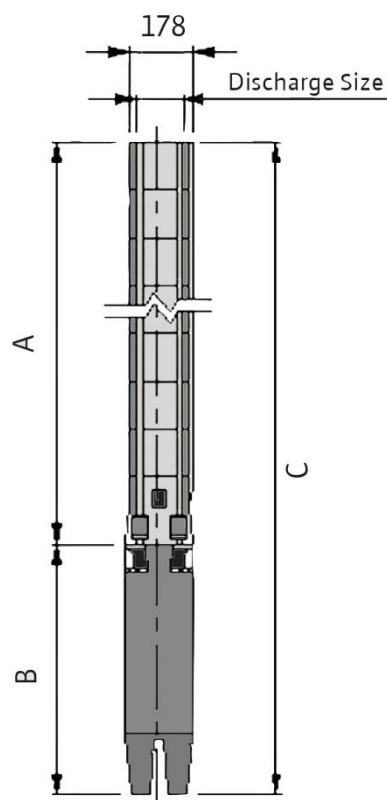
Wilo – PSS Series ~ 8"

Note : Selecting beyond dotted line is not recommended.

PSS-95 Series

Technical data

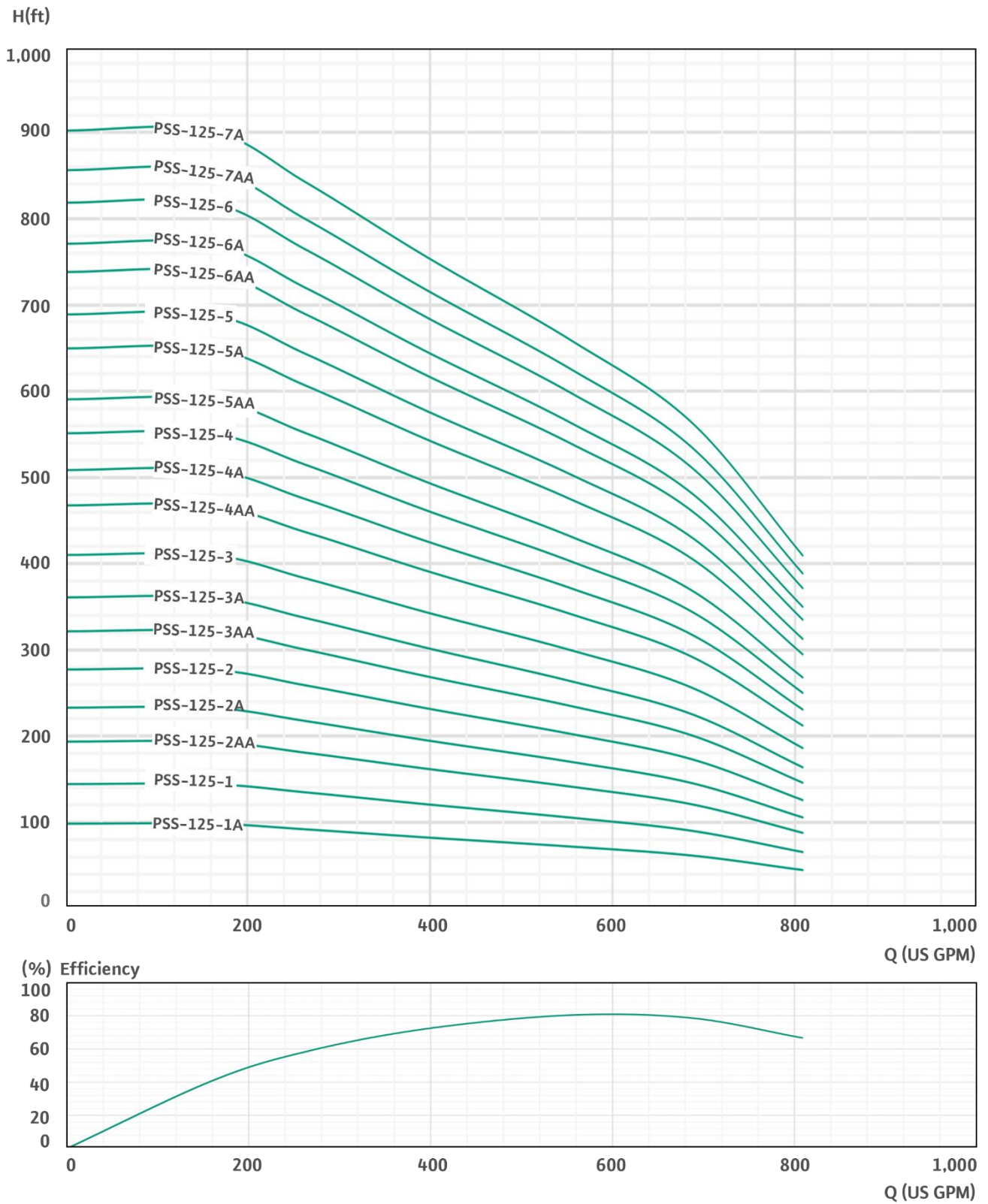
Dimension and weight									60Hz
Model	Motor Wilo	Rated power		Power Source		Dimension			Weight
		kW	HP	Phase	Voltage	A	B	C	Kg
PSS-95-1A	MS6-75-3	5.5	7.5	3	230/380/460	618	630	1248	70.1
PSS-95-1	MS6-100-3	7.5	10	3	230/380/460	618	685	1303	75.1
PSS-95-2AB	MS6-150-3	11	15	3	230/380/460	746	760	1506	86.7
PSS-95-2B	MS6-150-3	11	15	3	230/380/460	746	760	1506	86.7
PSS-95-2	MS6-200-3	15	20	3	230/380/460	746	800	1546	90.7
PSS-95-3BB	MS6-200-3	15	20	3	230/380/460	874	800	1674	94.3
PSS-95-3B	MS6-250-3	18.5	25	3	230/380/460	874	920	1794	105
PSS-95-3	MS6-300-3	22	30	3	230/380/460	874	970	1844	112
PSS-95-4AB	MS6-300-3	22	30	3	230/380/460	1003	970	1973	116
PSS-95-4	MS6-400-3	30	40	3	230/380/460	1003	1060	2063	126
PSS-95-5B	MS6-400-3	30	40	3	230/380/460	1131	1060	2191	130
PSS-95-5	MS6-500-3	37	50	3	230/380/460	1131	1060	2191	130
PSS-95-6	MS6-500-3	37	50	3	230/380/460	1259	1060	2319	133
PSS-95-7	NU 611-2/37	45	60	3	380/460	1398	1381	2779	154
PSS-95-8	NU 801-2/55	55	75	3	380/460	1527	1145	2672	197
PSS-95-9	NU 801-2/60	63	85	3	380/460	1655	1195	2850	208
PSS-95-10	NU 801-2/60	63	85	3	380/460	1783	1195	2978	212
PSS-95-11	NU 801-2/75	78	100	3	380/460	1911	1345	3256	242
PSS-95-12	NU 811-2/90	100	125	3	380/460	2039	1380	3419	267
PSS-95-13	NU 811-2/90	100	125	3	380/460	2168	1380	3548	270



- The minimum diameter of well is 205mm
- 178mm is the maximum diameter of pump including cable guard and motor.
- Discharge bore size : 5" (125mm)
- Using 6 inch motor to PSS-95 series

PSS-125 Series

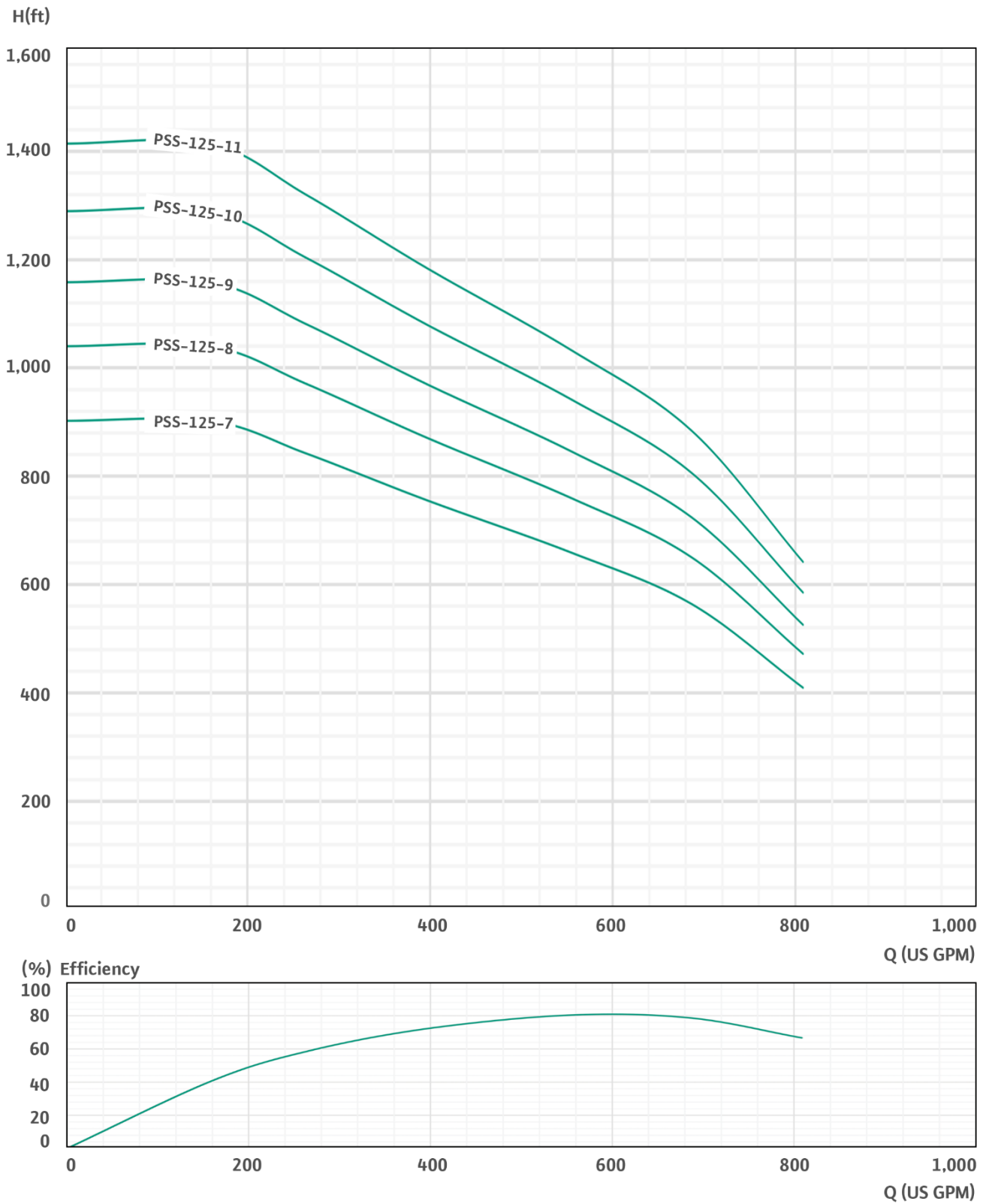
Performance curve



Wilo - PSS Series ~ 10"

PSS-125 Series

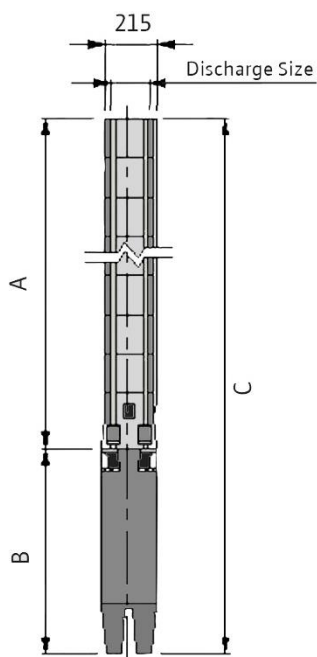
Performance curve



PSS-125 Series

Technical data

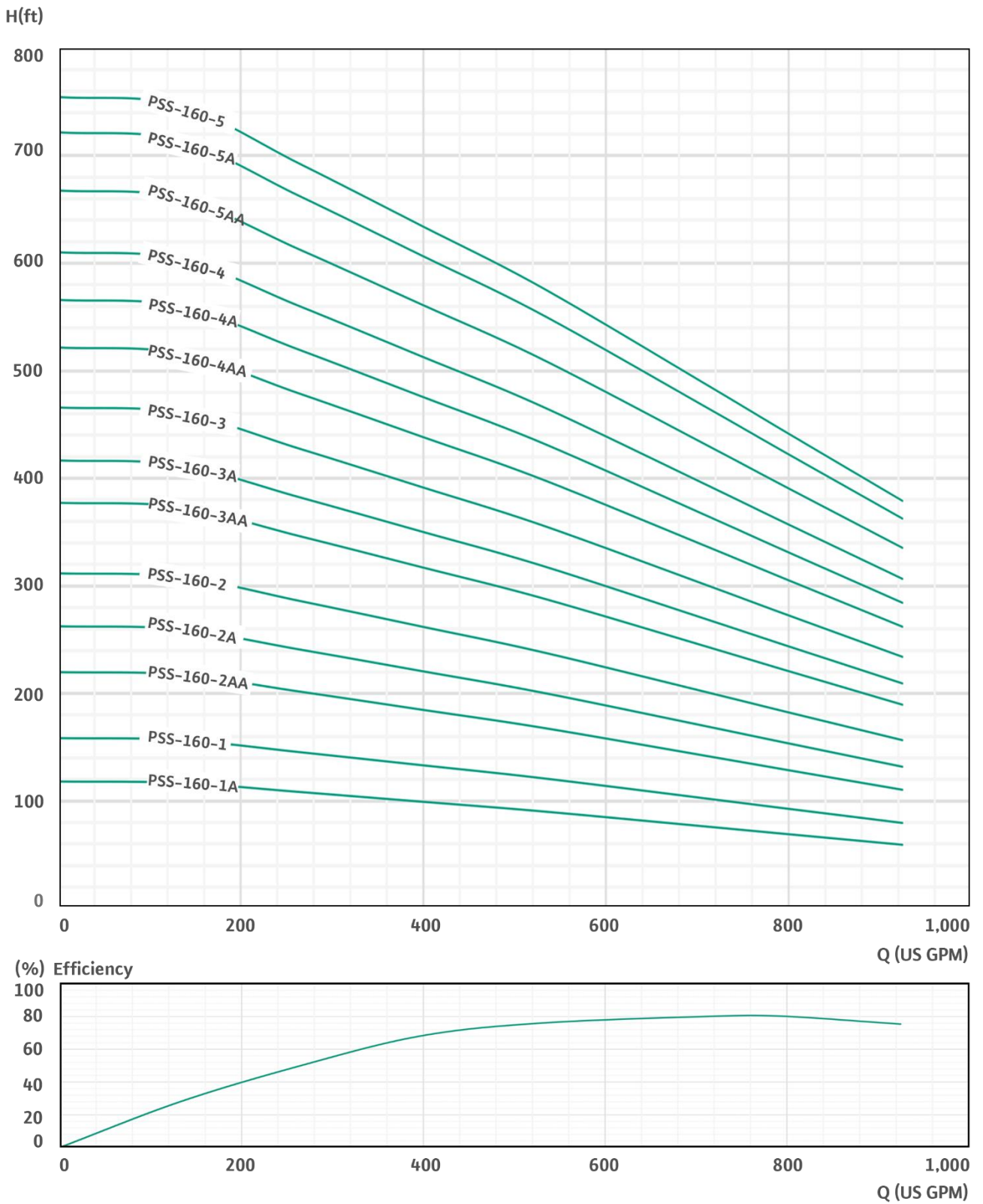
Dimension and weight								60Hz	
Model	Motor Wilo	Rated power		Power Source		Dimension			Weight
		kW	HP	Phase	Voltage	A	B	C	Kg
PSS-125-1A	MS6-150-3	11	15	3	230/380/460	652	760	1412	87.2
PSS-125-1	MS6-250-3	18.5	25	3	230/380/460	652	920	1572	102
PSS-125-2AA	MS6-300-3	22	30	3	230/380/460	807	970	1777	116
PSS-125-2A	MS6-400-3	30	40	3	230/380/460	807	1060	1867	126
PSS-125-2	MS6-400-3	30	40	3	230/380/460	807	1060	1867	126
PSS-125-3AA	MS6-500-3	37	50	3	230/380/460	963	1060	2023	132
PSS-125-3A	MS6-500-3	37	50	3	230/380/460	963	1060	2023	132
PSS-125-3	NU 611-2/37	45	60	3	380/460	963	1381	2344	148
PSS-125-4AA	NU 801-2/55	55	75	3	380/460	1118	1145	2263	197
PSS-125-4A	NU 801-2/55	55	75	3	380/460	1118	1145	2263	197
PSS-125-4	NU 801-2/60	63	85	3	380/460	1118	1195	2313	205
PSS-125-5AA	NU 801-2/75	78	100	3	380/460	1274	1345	2619	237
PSS-125-5A	NU 801-2/75	78	100	3	380/460	1274	1345	2619	237
PSS-125-5	NU 801-2/75	78	100	3	380/460	1274	1345	2619	237
PSS-125-6AA	NU 801-2/75	78	100	3	380/460	1429	1345	2774	242
PSS-125-6A	NU 811-2/90	100	125	3	380/460	1429	1380	2809	263
PSS-125-6	NU 811-2/90	100	125	3	380/460	1429	1380	2809	263
PSS-125-7AA	NU 811-2/90	100	125	3	380/460	1585	1380	2965	268
PSS-125-7A	NU 811-2/90	100	125	3	380/460	1585	1380	2965	268
PSS-125-7	NU 911-2/60	138	185	3	380/460	1585	1410	2995	336
PSS-125-8	NU 911-2/60	138	185	3	380/460	1870	1410	3280	353
PSS-125-9	NU 911-2/60	138	185	3	380/460	2026	1410	3436	359
PSS-125-10	NU 911-2/75	155	205	3	380/460	2181	1560	3741	405
PSS-125-11	NU 911-2/90	185	250	3	380/460	2337	1710	4047	450



- The minimum diameter of well is 255mm
- 215mm is the maximum diameter of pump including cable guard and motor.
- Discharge bore size : 6" (150mm)
- Using 6 inch motor to PSS-125 series
- Please check NPSH value when you choose the model

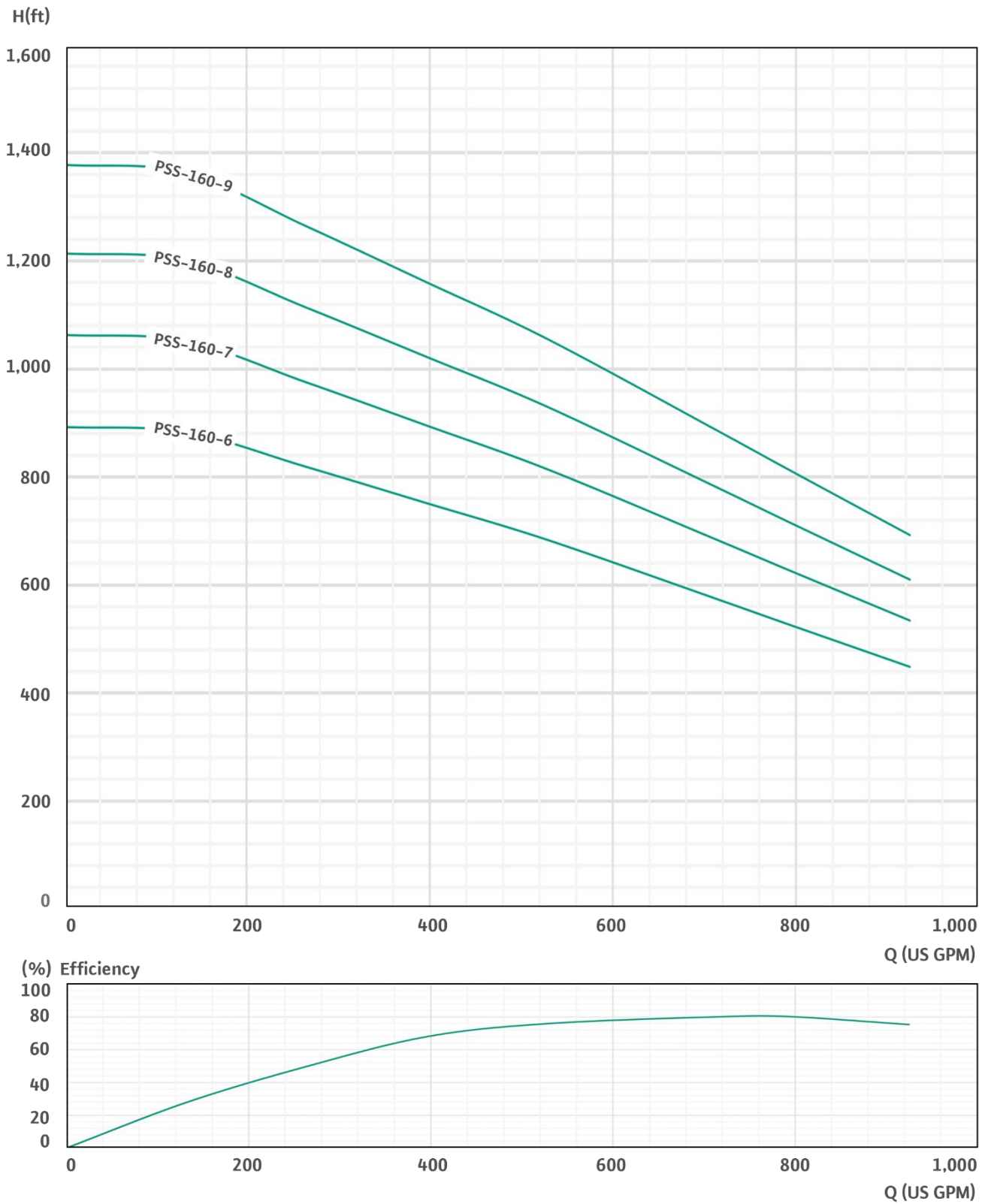
PSS-160 Series

Performance curve



PSS-160 Series

Performance curve

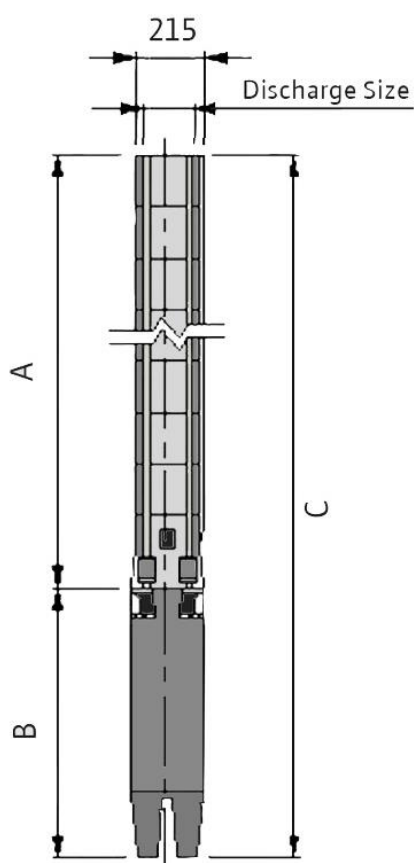


Wilo - PSS Series ~ 10"

PSS-160 Series

Technical data

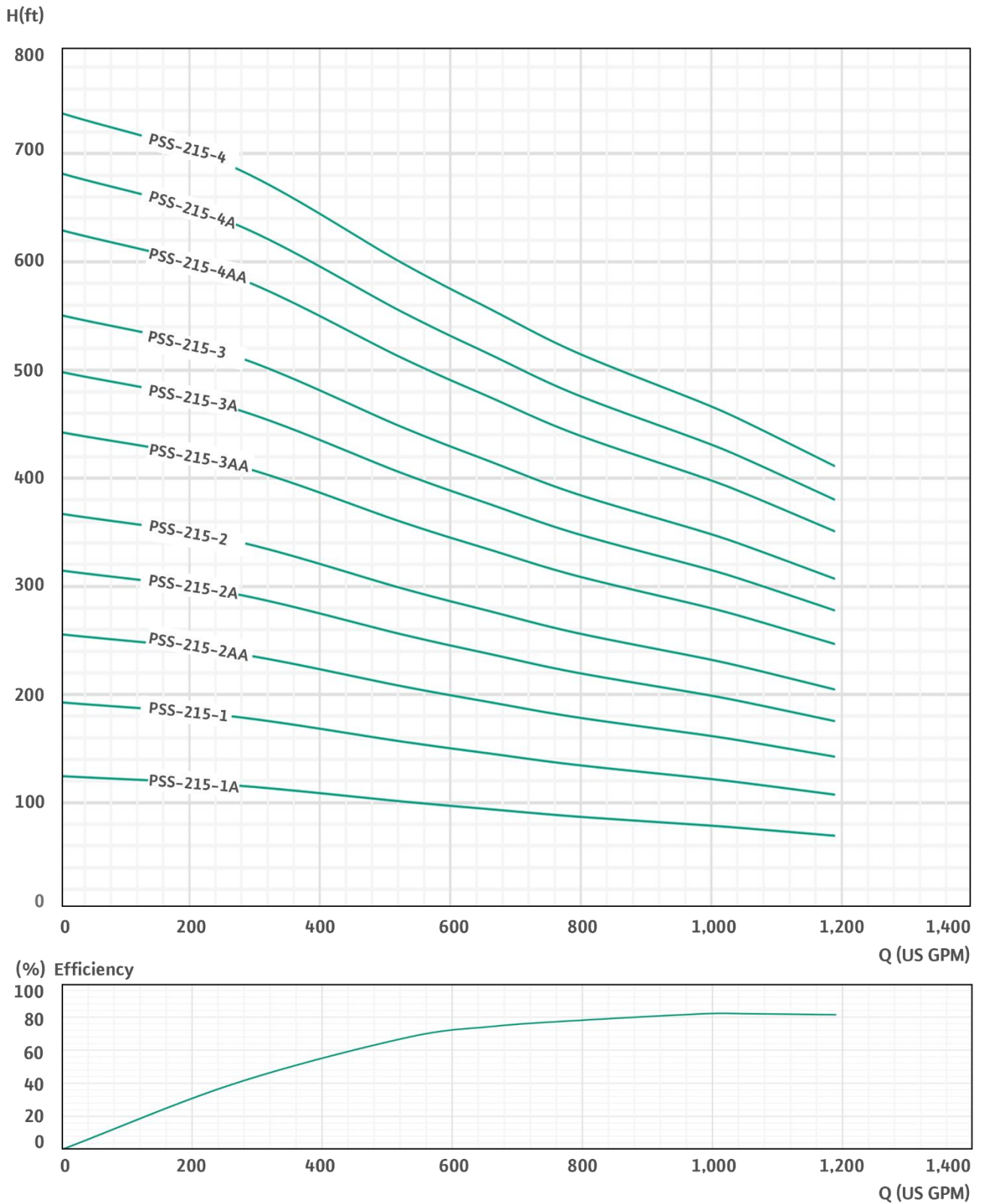
Dimension and weight									60Hz
Model	Motor Wilo	Rated power		Power Source		Dimension			Weight
		kW	HP	Phase	Voltage	A	B	C	Kg
PSS-160-1A	MS6-200-3	15	20	3	230/380/460	652	800	1452	92.4
PSS-160-1	MS6-300-3	22	30	3	230/380/460	652	970	1622	110
PSS-160-2AA	MS6-400-3	30	40	3	230/380/460	807	1060	1867	127
PSS-160-2A	MS6-500-3	37	50	3	230/380/460	807	1060	1867	127
PSS-160-2	MS6-500-3	37	50	3	230/380/460	807	1060	1867	127
PSS-160-3AA	NU 611-2/37	45	60	3	380/460	963	1381	2344	151
PSS-160-3A	NU 801-2/55	55	75	3	380/460	963	1145	2108	190
PSS-160-3	NU 801-2/55	55	75	3	380/460	963	1145	2108	190
PSS-160-4AA	NU 801-2/60	63	85	3	380/460	1118	1195	2313	204
PSS-160-4A	NU 801-2/75	78	100	3	380/460	1118	1345	2463	231
PSS-160-4	NU 801-2/75	78	100	3	380/460	1118	1345	2463	231
PSS-160-5AA	NU 811-2/90	100	125	3	380/460	1274	1380	2654	258
PSS-160-5A	NU 811-2/90	100	125	3	380/460	1274	1380	2654	258
PSS-160-5	NU 811-2/90	100	125	3	380/460	1274	1380	2654	258
PSS-160-6	NU 911-2/60	138	185	3	380/460	1429	1410	2839	333
PSS-160-7	NU 911-2/60	138	185	3	380/460	1715	1410	3125	352
PSS-160-8	NU 911-2/75	155	205	3	380/460	1870	1560	3430	398
PSS-160-9	NU 911-2/90	185	250	3	380/460	2026	1710	3736	443



- The minimum diameter of well is 255mm
- 215mm is the maximum diameter of pump including cable guard and motor.
- Discharge bore size : 6" (150mm)
- Using 6 inch motor to PSS-160 series
- Please check NPSH value when you choose the model

PSS-215 Series

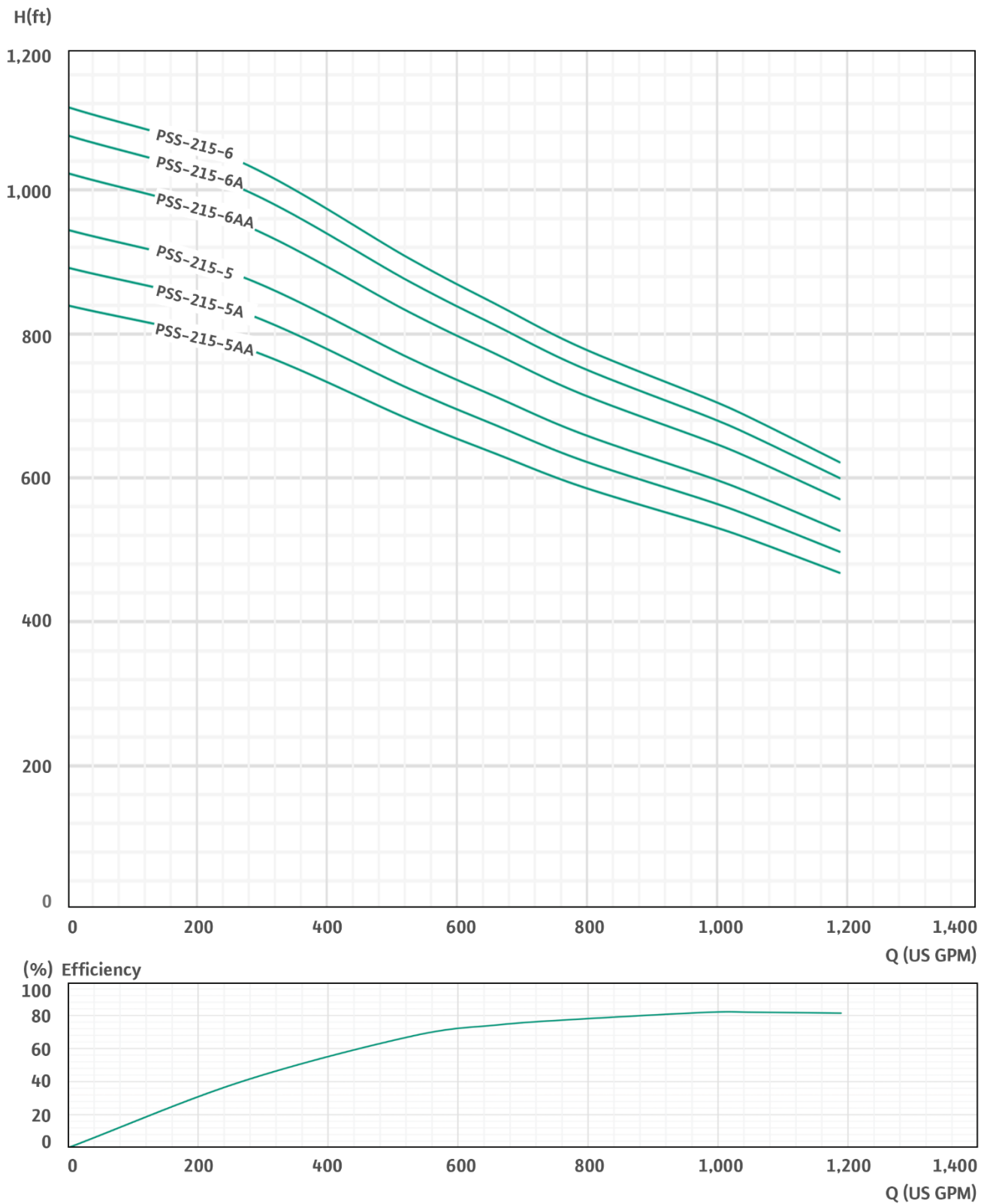
Performance curve



Wilo – PSS Series ~ 10"

PSS-215 Series

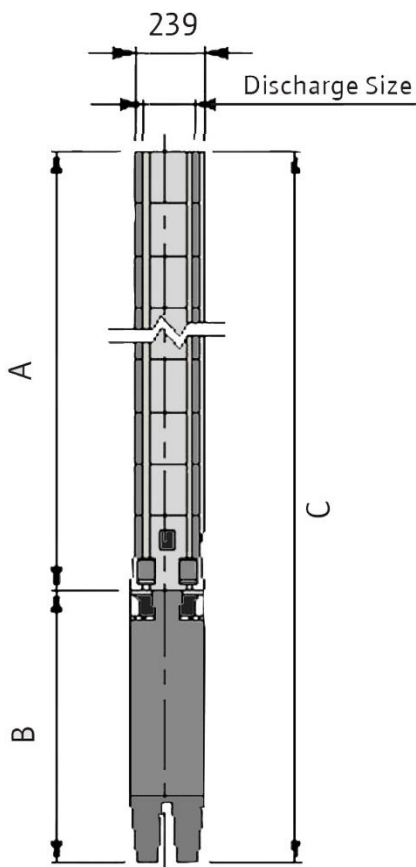
Performance curve



PSS-215 Series

Technical data

Dimension and weight									60Hz
Model	Motor Wilo	Rated power		Power Source		Dimension			Weight
		kW	HP	Phase	Voltage	A	B	C	Kg
PSS-215-1A	MS6-300-3	22	30	3	230/380/460	772	970	1742	126
PSS-215-1	MS6-400-3	30	40	3	230/380/460	772	1060	1832	136
PSS-215-2AA	NU 611-2/37	45	60	3	380/460	948	1381	2329	162
PSS-215-2A	NU 801-2/55	55	75	3	380/460	948	1145	2093	201
PSS-215-2	NU 801-2/60	63	85	3	380/460	948	1195	2143	209
PSS-215-3AA	NU 801-2/75	78	100	3	380/460	1124	1345	2469	246
PSS-215-3A	NU 811-2/90	100	125	3	380/460	1124	1380	2504	267
PSS-215-3	NU 811-2/90	100	125	3	380/460	1124	1380	2504	267
PSS-215-4AA	NU 911-2/60	138	185	3	380/460	1300	1410	2710	344
PSS-215-4A	NU 911-2/60	138	185	3	380/460	1300	1410	2710	344
PSS-215-4	NU 911-2/60	138	185	3	380/460	1300	1410	2710	344
PSS-215-5AA	NU 911-2/60	138	185	3	380/460	1476	1410	2886	360
PSS-215-5A	NU 911-2/60	138	185	3	380/460	1476	1410	2886	360
PSS-215-5	NU 911-2/75	155	205	3	380/460	1476	1560	3036	399
PSS-215-6AA	NU 911-2/90	185	250	3	380/460	1652	1710	3362	448
PSS-215-6A	NU 911-2/90	185	250	3	380/460	1652	1710	3362	448
PSS-215-6	NU 911-2/90	185	250	3	380/460	1652	1710	3362	448

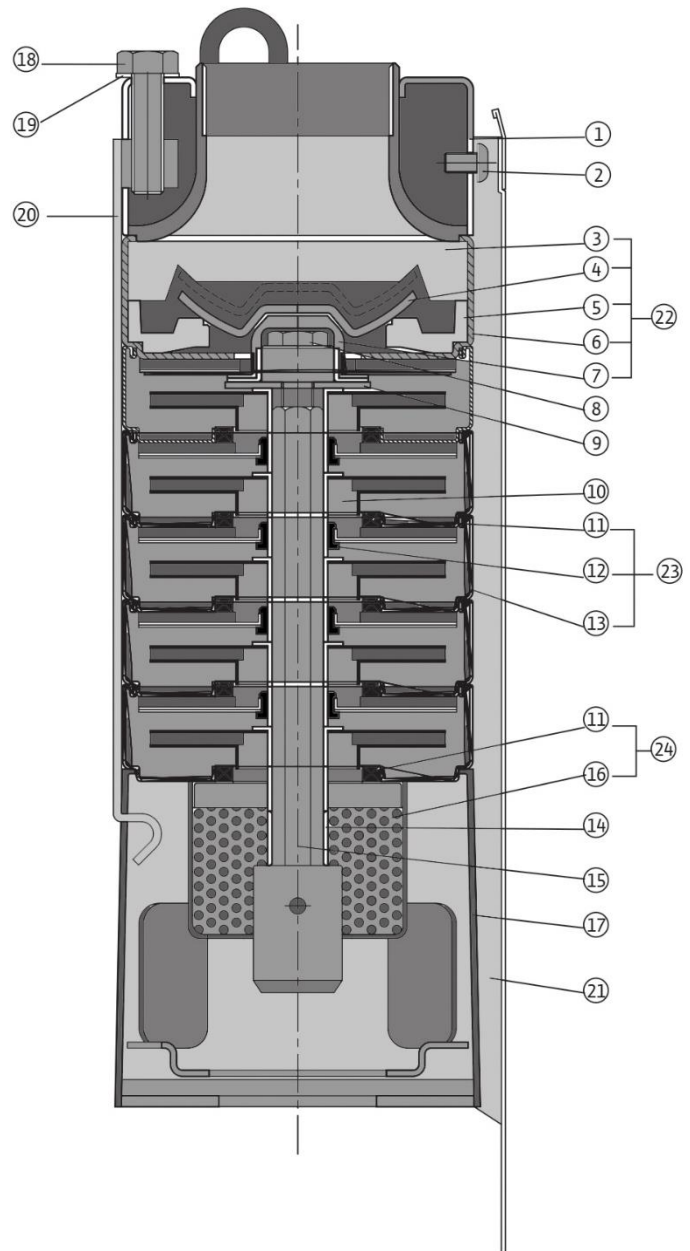


- The minimum diameter of well is 255mm
- 239mm is the maximum diameter of pump including cable guard and motor.
- Discharge bore size : 6" (150mm)
- Using 6 inch motor to PSS-215 series
- Please check NPSH value when you choose the model

PSS-1~ 14 Series (4")

Sectional Drawing & Materials of Parts

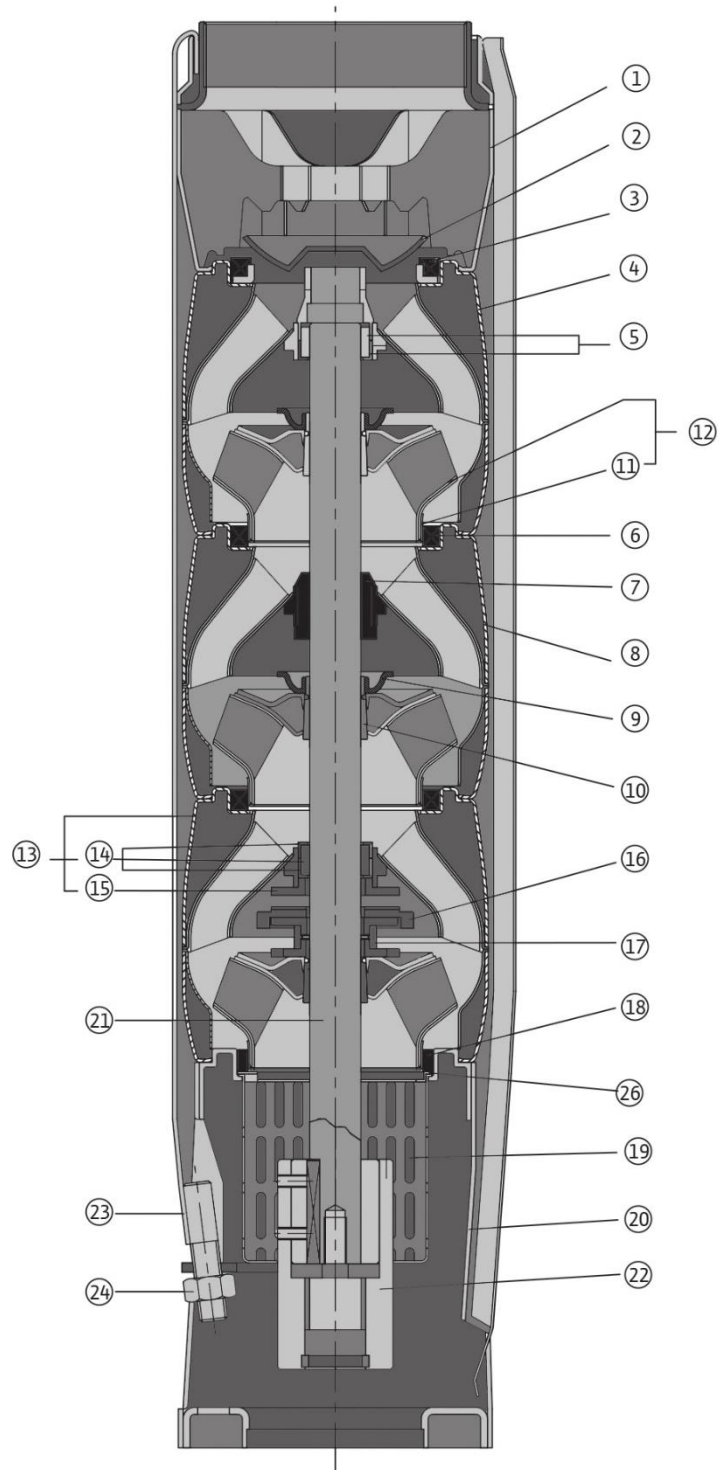
No	Part Name	Material	Q
1	Discharge piece	STS304	1
2	Screw	~	1
3	Valve guide	~	1
4	Valve cone	STS304	1
5	Valve seat	NBR	1
6	Valve casing	STS304	1
7	Stop ring	STS304	1
8	Lock nut	STS304	1
9	Stop ring washer	STS304	1
10	Impeller	STS304	Stages
11	Neck ring	NBR	Stages
12	Bearing	NBR	Stages
13	Diffuser	STS304	Stages
14	Spacer	~	1
15	Pump shaft/coupling	STS431/304	1
16	Strainer	STS304	1
17	Suction interconnector	STS304	1
18	Screw	~	4
19	Washer	STS304	4
20	Strap	STS304	4
21	Cable guard	STS304	1
22	Check valve assy	~	1
23	Diffuser assy	~	Stages
24	Strainer assy	~	1



PSS-17~ 60 Series (6")

Sectional Drawing & Materials of Parts

No	Part Name	Material	Q
1	Discharge	STS304	1
2	Valve cone	STS304	1
3	Valve seat	NBR	Stages
4	Top diffuser	STS304	1
5	Upper bearing	STS304	1
6	Neck ring	NBR	1
7	Bearing	NBR	1
8	Diffuser	STS304	Stages
9	Split cone nut	STS304	Stages
10	Split cone	STS304	Stages
11	Impeller ring	STS304	Stages
12	Impeller	STS304	Stages
13	Bottom diffuser	STS304	1
14	Lower bearing	~	1
15	Stop ring	~	1
16	Space washer	STS304	1
17	Nut for stop ring	STS304	1
18	Bottom neck ring	NBR	1
19	Strainer	STS304	1
20	Suction interconnector	STS304	1
21	Pump shaft	STS431	1
22	Coupling	STS304	1
23	Strap	STS304	4
24	Nut	STS304	4

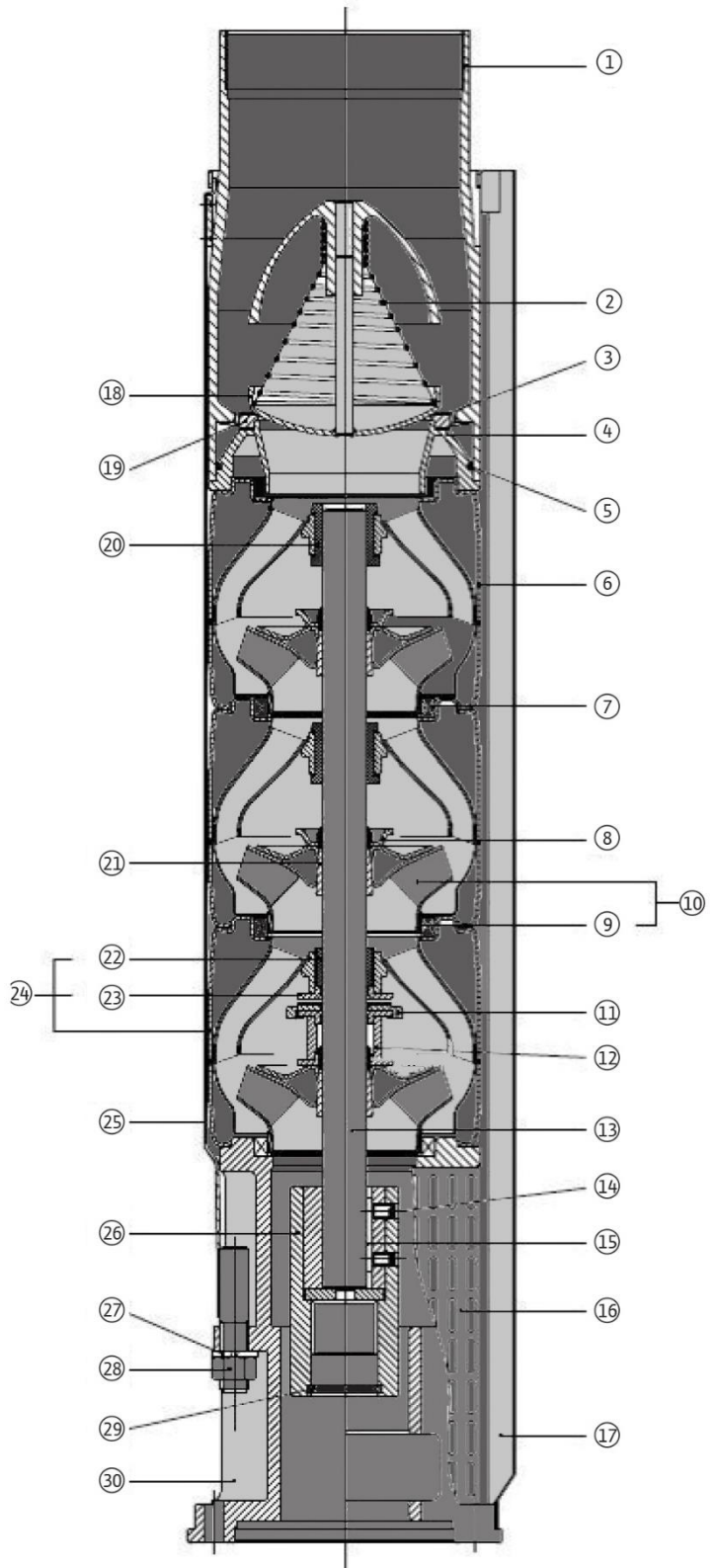


wilo

PSS-77~ 95 Series (8")

Sectional Drawing & Materials of Parts

No	Part Name	Material	Q
1	Valve Casing/Discharge	STS304	1
2	Spring	STS304	1
3	Upper retainer	STS304	1
4	Lower retainer	STS304	1
5	O-ring	NBR	1
6	Diffuser	STS304	stages
7	Neck ring	STS304+NBR	stages
8	Split cone nut	STS304	stages
9	Ring of impeller	STS304	stages
10	Impeller	STS304	stages
11	Space washer	MoO ₂ +PTFE	1
12	Nut for stop ring	STS304	1
13	Shaft	STS431	1
14	Screw	STS304	2
15	Key	STS304	2
16	Strainer	STS304	1
17	Cable guard	STS304	1~2
18	Valve cup	STS304	1
19	Valve seat	STS304	1
20	Bearing	NBR	stages
21	Spilt cone	STS304	stages
22	Bearing	NBR	1
23	Stop Ring	STS304	1
24	Bottom diffuser	STS304	1
25	Strap	STS304	4
26	Coupling	STS304	1
27	Spring washer	STS304	4
28	Nut	STS304	4
29	O-ring	NBR	1
30	Pump base	STS304	1
31	Suction Interconnector	Cast STS	1

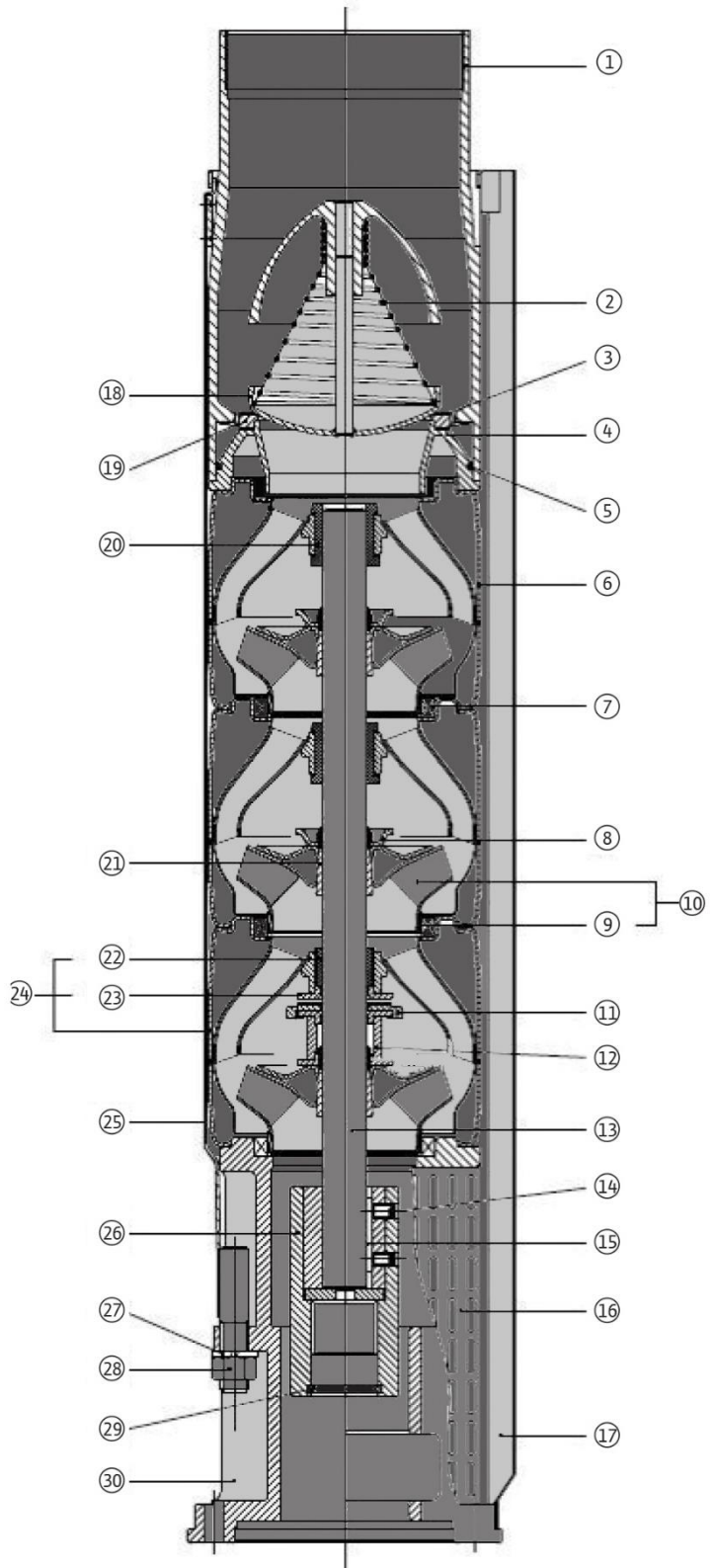


wilo

PSS-125~215 Series (10")

Sectional Drawing & Materials of Parts

No	Part Name	Material	Q
1	Valve Casing/Discharge	STS304	1
2	Spring	STS304	1
3	Upper retainer	STS304	1
4	Lower retainer	STS304	1
5	O-ring	NBR	1
6	Diffuser	STS304	stages
7	Neck ring	STS304+NBR	stages
8	Split cone nut	STS304	stages
9	Ring of impeller	STS304	stages
10	Impeller	STS304	stages
11	Space washer	MoO ₂ +PTFE	1
12	Nut for stop ring	STS304	1
13	Shaft	STS431	1
14	Screw	STS304	2
15	Key	STS304	2
16	Strainer	STS304	1
17	Cable guard	STS304	1~2
18	Valve cup	STS304	1
19	Valve seat	STS304	1
20	Bearing	NBR	stages
21	Spilt cone	STS304	stages
22	Bearing	NBR	1
23	Stop Ring	STS304	1
24	Bottom diffuser	STS304	1
25	Strap	STS304	4
26	Coupling	STS304	1
27	Spring washer	STS304	4
28	Nut	STS304	4
29	O-ring	NBR	1
30	Pump base	STS304	1
31	Suction Interconnector	Cast STS	1



wilo

PRACTICAL SUPPORT FOR YOUR DAILY WORK.

ALWAYS AT YOUR SIDE: WILO SERVICES

We work hard to make your life easier. That is why our range is not only limited to high-quality products and systems that you can count on at any time. We also provide intelligent services for all the project phases, from design and configuration through to commissioning and maintenance. We keep you informed about very latest technologies and trends and provide attractive options for project financing. We are always available – with personal competent and local services in over 60 countries and more than 2500 Wilo engineers worldwide.



Wilo Services.

Our full-service package for you as partners.

With Wilo as your partner, you can not only be sure of choosing high-quality product solutions but also of benefiting from a comprehensive, worry-free package of well thought out services. This means that we support you personally in every project phase, from design and configuration right through commissioning and maintenance. In our seminars we tell you about the very latest technology technologies and trends. And when it comes to attractive conditions for your projects, we also have just the right package to offer. In short, Wilo is always by your side. In person and on the spot. With local services in over 60 countries and more than 2,500 Wilo engineers worldwide.

We make the design and selection process simple for you.

We do not want you to select any solution, but the one that exactly Meets your requirements. As a result, we work through your requirements With you before the purchase and based on this, we prepare the individual Product solution that is most economical for you.

Pre-sales services For your tailor-made choice

- ✓ Local support
- ✓ Design support
- ✓ Product selection
- ✓ Selection programmes
- ✓ Digital flow simulations
- ✓ Flow calculation
- ✓ Pipe calculation
- ✓ Installation drawings
- ✓ Documentation



**“Services
that provide
comprehensive
and reliable
Support.**

**That’s what we call
Pioneering for You.”**



Pioneering for You

WILO SE
Nortkirchenstraße 100
44263 Dortmund
T +49 231 4102-7516
F +49 231 4102-7666
wilo@wilo.com
www.wilo.com

Wilo SE Representative Office (Philippines)
8F Unit 810 The Infinity
26th Street, Bonifacio Global City
Taguig City, 1634 Philippines
T +632 553 4016
F +632 553 0544
sales@wilo-philippines.com
www.wilo.com