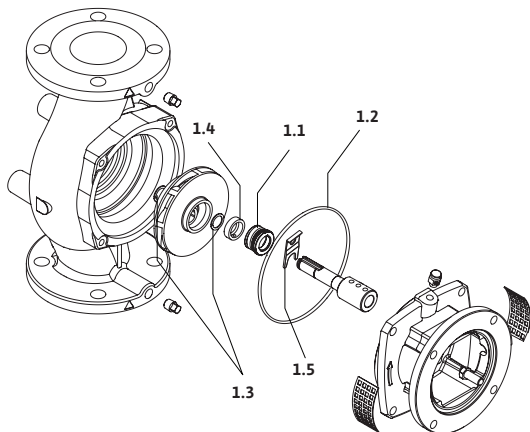


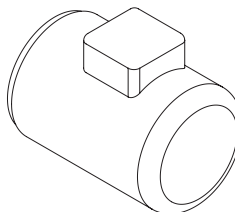
Inline Pumps



1. Mechanical Seal Kit

Includes:

- 1.1 Mechanical Seal (1)
- 1.2 O-Ring (1)
- 1.3 Snap Ring (3)
- 1.4 Distance Ring (1)
- 1.5 Spacer Tool (1)



Wilo IPL

1750 RPM - 4P

Model	Mechanical Seal Kit	List Price USD
IPL 1.25 21/50-4	2761800	265
IPL 1.5 16/80-4	2761801	315
IPL 1.5 22/95-4	2761801	315
IPL 1.5 29/95-4	2761801	315
IPL 1.5 36/95-4	2761801	315
IPL 2 18/125-4	2761801	315
IPL 2 23/140-4	2761801	315
IPL 2 28/160-4	2761801	315
IPL 2 38/180-4	2761801	315
IPL 2.5 15/185-4	2761801	315
IPL 2.5 17/215-4	2761801	315
IPL 2.5 23/240-4	2761801	315
IPL 2.5 23/240-4	2761801	315
IPL 2.5 28/275-4	2761801	315
IPL 3 20/300-4	2761801	315
IPL 3 26/360-4	2761801	315

IPL2.5-23/240-4,1.0HP,1PH #2705375 - use KIT #2761801

3500 RPM - 2P

Model	Mechanical Seal Kit	List Price USD
IPL 1.5 38/90-2	2761802	310
IPL 1.5 46/95-2	2761802	310
IPL 1.5 59/100-2	2761802	310
IPL 2 40/140-2	2761802	310
IPL 2 52/160-2	2761802	310
IPL 2 60/170-2	2761802	310
IPL 2.5 50/260-2	2761803	310
IPL 2.5 65/270-2	2761803	310
IPL 3 56/400-2	2761803	310