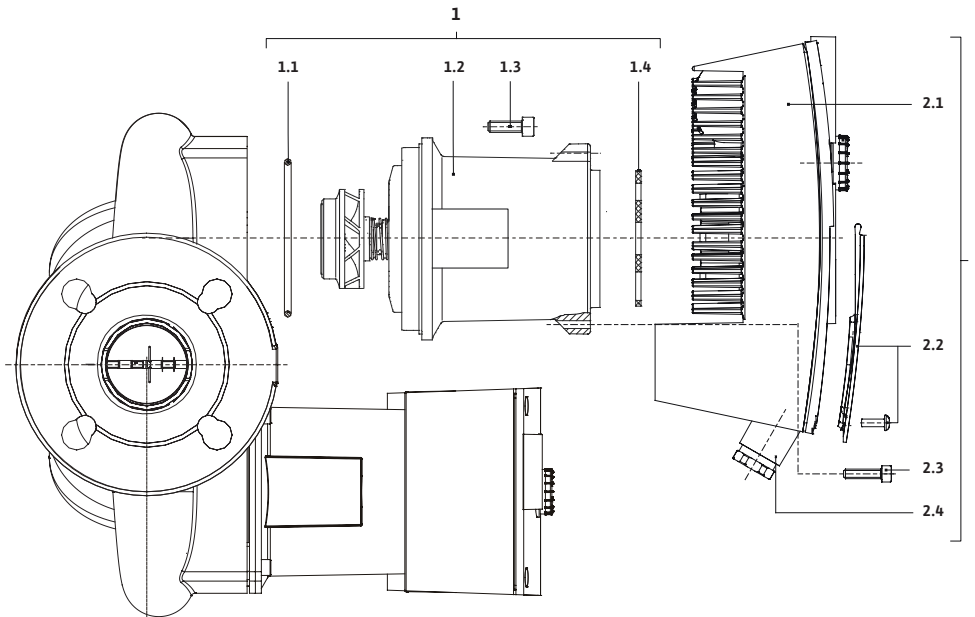


Wilo Stratos D

Spare Parts List



High Efficiency Circulators



1. Motor Kit

Includes:

- 1.1 O-Ring
- 1.2 Rotating Assembly
- 1.3 Drain Plug
- 1.4 Module Gasket

2. Power Head Kit

Includes:

- 1.4 Module Gasket
- 2.1 Control Module
- 2.2 Face Plate & Screw
- 2.3 Mounting Screw
- 2.4 IP Connection



Stratos D - Spare Parts

Model	Article Number	Phase	Voltage	Motor Kit SW >6.0 (1)	List Price USD	Power Head Kit (2)	List Price USD	Motor + Power Head Kit (1) & (2)* List Price USD
Stratos D 2 x 3-40	2113624	1	230	2131118	1470	2131111	1400	-
Stratos D 3 x 3-40	2113625	1	230	2164021*	2300	2112770	2100	3500

**Motor Kit 2164021 is NOT compatible with Power Module SW ≤6.0. In cases of motor replacement with a power module with SW ≤6.0, both motor and power module must be replaced

Stratos D - Blank Off Plates

Model	Description	Article Number	List Price USD
Stratos D 2 x 3-40	Allows for removal of a 2" power head	2049992	190
Stratos D 3 x 3-40	Allows for removal of a 3" power head	2049279	295