

Submittal Data Sheet

Wilco MVI - Vertical Multistage Pumps

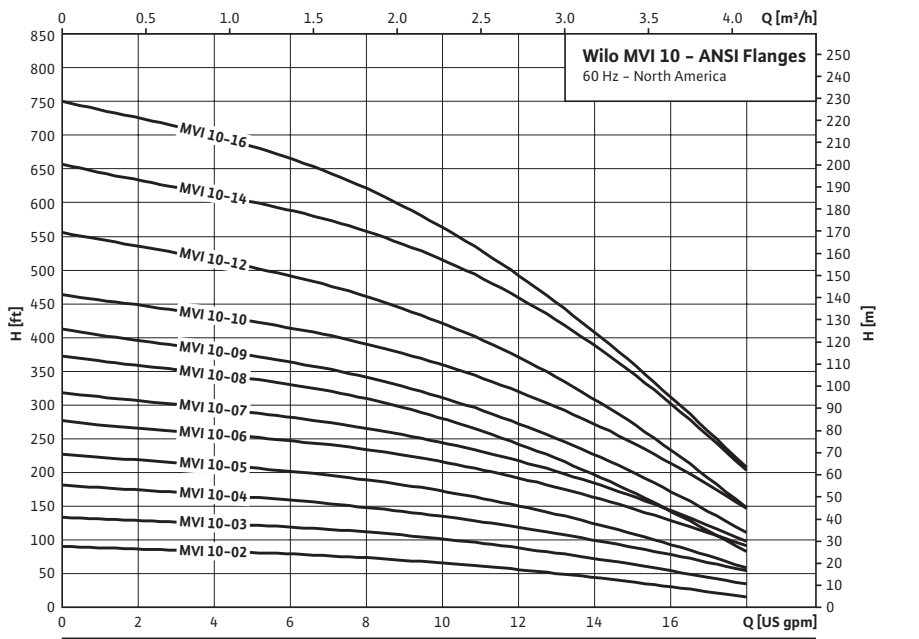


Wilco MVI 10



Project:	
Engineer:	
Contractor:	
Submitted By:	Date:
Approved By:	Date:

Tag #	Model #	Flow	Head	HP	Cycle	Phase	Voltage	RPM
					60Hz	3		3500



Technical Data

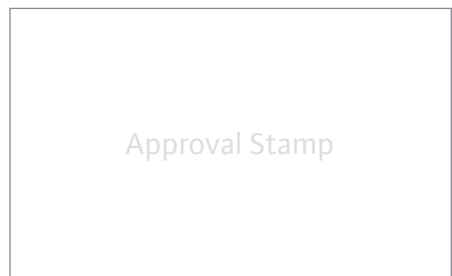
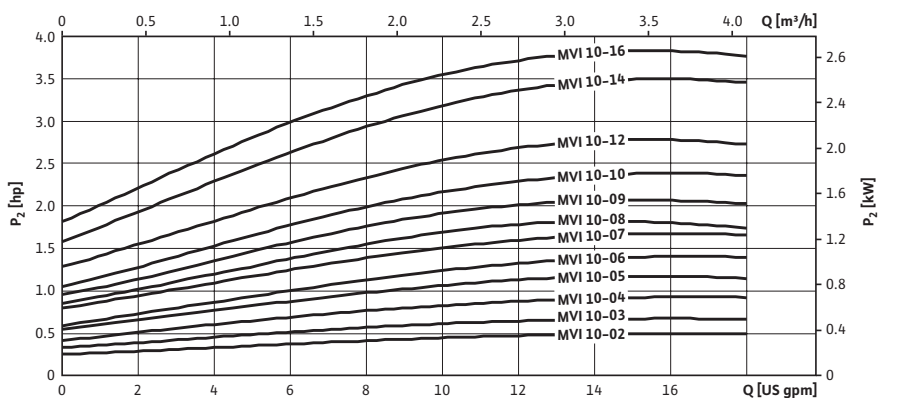
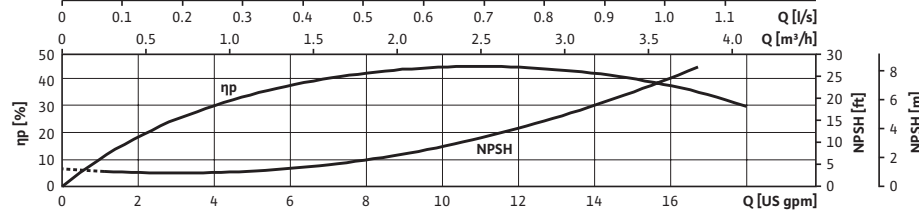
Liquid Temp Range	5°F to 250°F (-15°C to 121°C)
Power Supply	3 ~ 208-230/460/575v
Ambient temperature limits	Maximum 104°F - <90% humidity (motor-dependent)
Flange Connection	1½" 250# ANSI Not Included
Max suction pressure	140 PSI
Motor Options	TEFC Standard

Materials of Construction

Pump volute	Stainless steel
Impeller	Stainless steel AISI 304 (1.4301)
Shaft	Stainless steel AISI 304 (1.4301)
Mechanical seal	Carbon/tungsten carbide, SiC/carbon, EPDM elastomers

Applications

- Water supply & pressure boosting
- Washing and sprinkling systems
- Condensate return
- Process engineering
- Boiler feed
- Cooling-water circuits
- Geothermal
- Heating

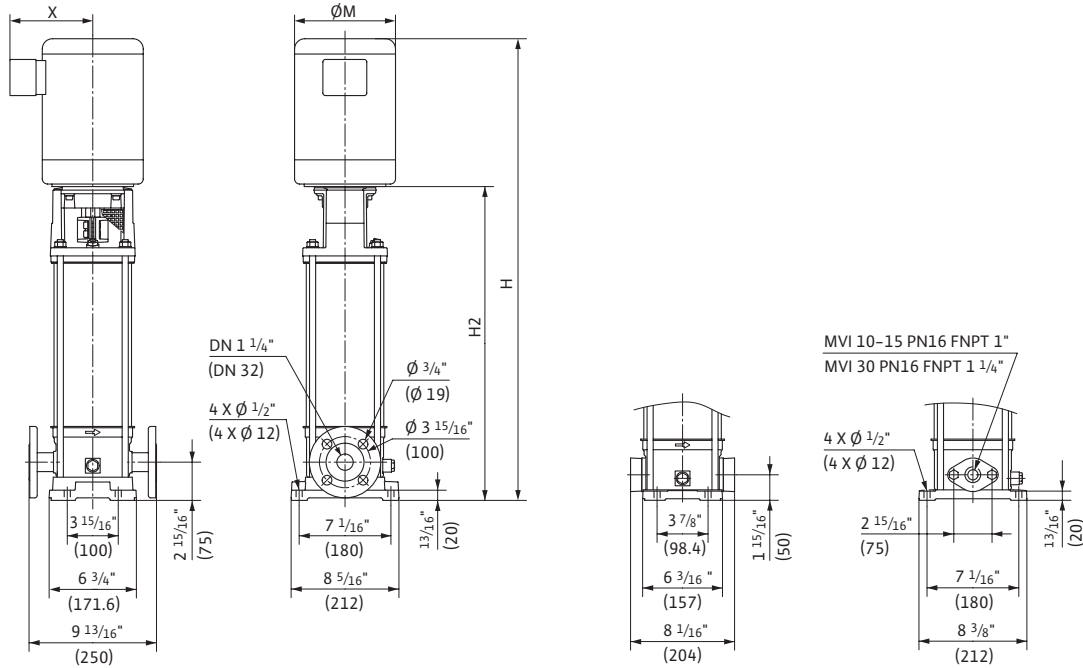


Submittal Data Sheet

Wilo MVI - Vertical Multistage Pumps



Dimensions & Weights



Dimensions and Weights

Model	Dimensions-inches (mm)								Weight	
	H		H ₂		M		X		lbs	kg
MVI 10-02	24 1/4	(616)	13 15/16	(354)	6 3/16	(157)	5 3/16	(132)	61	27.7
MVI 10-03	24 1/4	(616)	13 15/16	(354)	6 3/16	(157)	5 3/16	(132)	61.2	27.8
MVI 10-04	26 3/8	(670)	13 15/16	(354)	7 3/16	(183)	5 3/4	(146)	69.5	31.5
MVI 10-04	28	(710)	14 3/4	(374)	7 3/16	(183)	5 3/4	(146)	74.8	33.9
MVI 10-05	28	(710)	15 1/2	(394)	7 3/16	(183)	5 3/4	(146)	75.3	34.2
MVI 10-06	28 3/4	(730)	15 5/16	(414)	7 3/16	(183)	5 3/4	(146)	90.7	41.1
MVI 10-08	30 5/16	(770)	17 7/8	(454)	7 3/16	(183)	5 3/4	(146)	93.3	42.3
MVI 10-09	31 5/16	(795)	17 7/8	(454)	7 3/16	(183)	5 3/4	(146)	85.3	38.7
MVI 10-10	31 1/8	(815)	18 11/16	(474)	7 3/16	(183)	5 3/4	(146)	89.3	40.5
MVI 10-12	33 11/16	(855)	20 1/4	(514)	7 3/16	(183)	5 3/4	(146)	93.9	42.6
MVI 10-14	36	(915)	20 9/16	(523)	8 1/2	(216)	6 7/8	(174)	131.2	59.5
MVI 10-16	38	(965)	22 9/16	(573)	8 1/2	(216)	6 7/8	(174)	134.3	60.9

TEFC Motor Data

P2	Phase	Voltage	FLA
[HP]	[~]	[V]	[A]
1/2	3	208-230/460/575	2.4-2.2/1.1/0.7
3/4	3	208-230/460/575	3.2-3.0/1.5/1.0
1	3	208-230/460/575	4.1-3.6/1.8/1.4
1.5	3	208-230/460/575	4.9-4.6/2.3/1.8
1.5	3	208-230/460/575	4.9-4.6/2.3/1.8
2	3	208-230/460/575	6.2-5.8/2.9/2.2
2	3	208-230/460/575	6.2-5.8/2.9/2.2
3	3	208-230/460/575	8.1-7.6/3.8/3.0
3	3	208-230/460/575	8.1-7.6/3.8/3.0
3	3	208-230/460/575	8.1-7.6/3.8/3.0
5	3	208-230/460/575	13.2-12.0/6.0/4.8
5	3	208-230/460/575	13.2-12.0/6.0/4.8

WILO USA LLC

Tel: (866) 945-6872 Web: www.wilo-usa.com
Fax: (708) 338-9455 Email: info@wilo-usa.com

WILO Canada Inc.

Tel: (866) 945-6236 Web: www.wilo-canada.com
Fax: (403) 277-9456 Email: info@wilo-canada.com

WILO Mexico

Tel: +52 55 5586 3209 Web: www.wilo-mexico.com.mx
Fax: +52 1 55 5413 4165 Email: info@wilo.com.mx

Submittal Data Sheet

Wilco MVI - Vertical Multistage Pumps

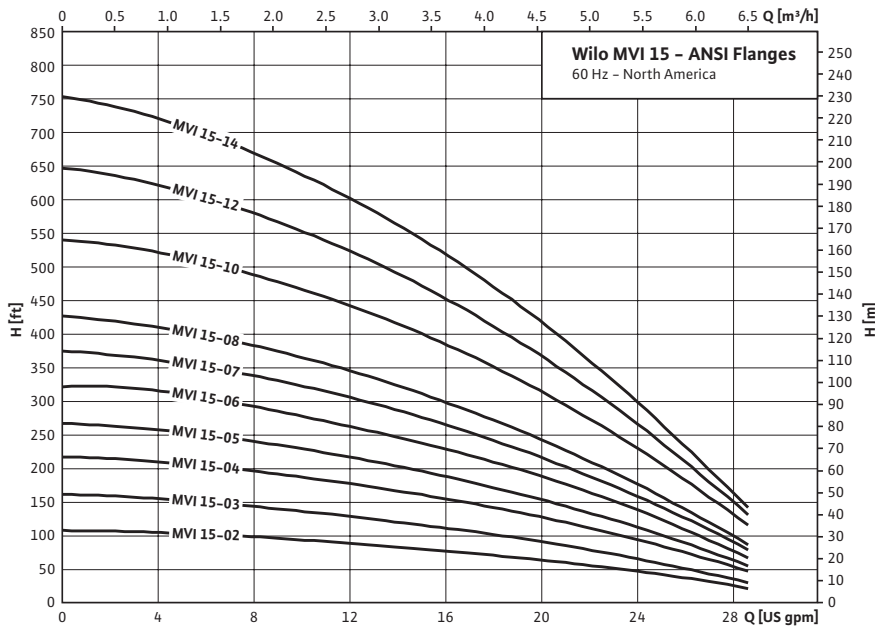


Wilco MVI 15

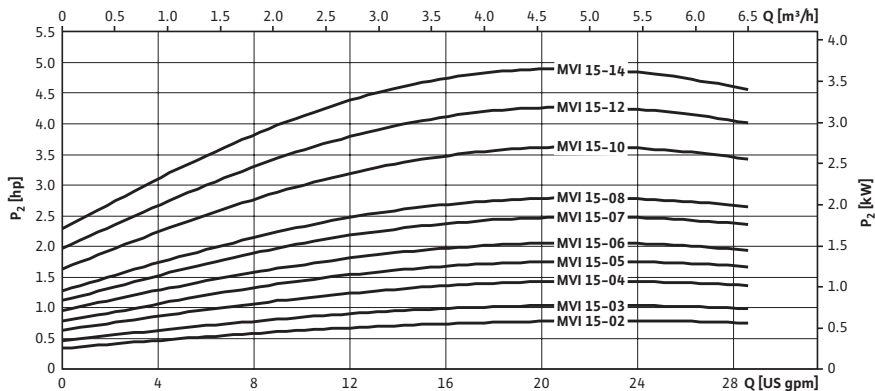
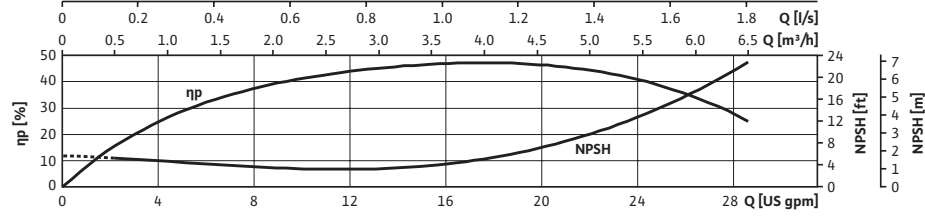


Project:	
Engineer:	
Contractor:	
Submitted By:	Date:
Approved By:	Date:

Tag #	Model #	Flow	Head	HP	Cycle	Phase	Voltage	RPM
					60Hz	3		3500



Technical Data	
Liquid Temp Range	5°F to 250°F (-15°C to 121°C)
Power Supply	3 ~ 208-230/460/575v
Ambient temperature limits	Maximum 104°F - <90% humidity (motor-dependent)
Flange Connection	1½" 250# ANSI Not Included
Max suction pressure	140 PSI
Motor Options	TEFC Standard



Materials of Construction	
Pump volute	Stainless steel
Impeller	Stainless steel AISI 304 (1.4301)
Shaft	Stainless steel AISI 304 (1.4301)
Mechanical seal	Carbon/tungsten carbide, SiC/carbon, EPDM elastomers

Applications	
• Water supply & pressure boosting	• Washing and sprinkling systems
• Condensate return	• Process engineering
• Boiler feed	• Cooling-water circuits
• Geothermal	• Heating

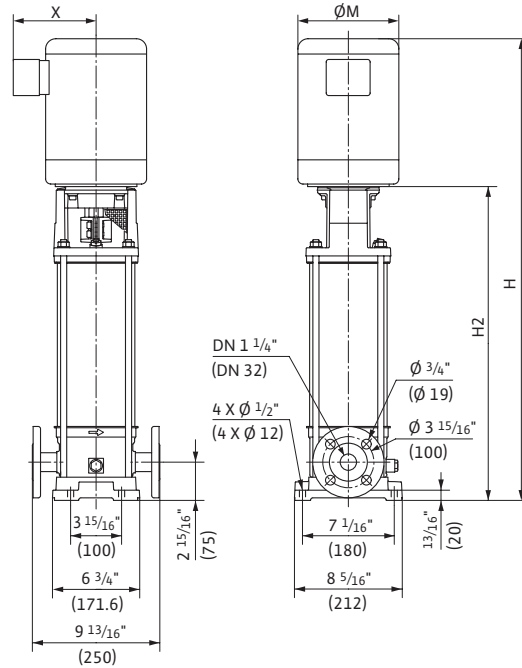
Approval Stamp

Submittal Data Sheet

Wilo MVI - Vertical Multistage Pumps



Dimensions & Weights



Dimensions and Weights

Model	Dimensions-inches (mm)								Weight	
	H		H ₂		M		X		lbs	kg
MVI 15-02	24 ^{7/8}	(632)	13 ^{5/8}	(346)	6 ^{3/16}	(157)	5 ^{3/16}	(132)	56.6	25.7
MVI 15-03	26 ^{1/16}	(662)	13 ^{5/8}	(346)	7 ^{3/16}	(183)	5 ^{3/4}	(146)	63.6	28.8
MVI 15-04	27	(686)	14 ^{9/16}	(370)	7 ^{3/16}	(183)	5 ^{3/4}	(146)	68.9	31.3
MVI 15-05	27 ^{15/16}	(710)	15 ^{1/2}	(394)	7 ^{3/16}	(183)	5 ^{3/4}	(146)	82.3	37.3
MVI 15-06	29 ^{7/8}	(759)	16 ^{7/16}	(418)	7 ^{3/16}	(183)	5 ^{3/4}	(146)	84.5	38.3
MVI 15-07	30 ^{13/16}	(783)	17 ^{3/8}	(442)	7 ^{3/16}	(183)	5 ^{3/4}	(146)	81.8	37.1
MVI 15-08	31 ^{3/8}	(797)	17 ^{15/16}	(456)	7 ^{3/16}	(183)	5 ^{3/4}	(146)	83.1	37.7
MVI 15-10	36 ^{3/8}	(924)	20 ^{15/16}	(533)	8 ^{1/2}	(216)	6 ^{7/8}	(174)	120	54.4
MVI 15-12	38 ^{3/4}	(972)	22 ^{7/8}	(581)	8 ^{1/2}	(216)	6 ^{7/8}	(174)	123.9	56.2
MVI 15-14	40 ^{3/16}	(1020)	24 ^{3/4}	(629)	8 ^{1/2}	(216)	6 ^{7/8}	(174)	126.8	57.5

TEFC Motor Data

P2	Phase	Voltage	FLA
[HP]	[~]	[V]	[A]
1	3	208-230/460/575	4.1-3.6/1.8/1.4
1	3	208-230/460/575	4.1-3.6/1.8/1.4
1.5	3	208-230/460/575	4.9-4.6/2.3/1.8
2	3	208-230/460/575	6.2-5.8/2.9/2.2
2	3	208-230/460/575	8.1-7.6/3.8/3.0
3	3	208-230/460/575	8.1-7.6/3.8/3.0
3	3	208-230/460/575	8.1-7.6/3.8/3.0
5	3	208-230/460/575	13.2-12.0/6.0/4.8
5	3	208-230/460/575	13.2-12.0/6.0/4.8
5	3	208-230/460/575	13.2-12.0/6.0/4.8

WILO USA LLC

Tel: (866) 945-6872 Web: www.wilo-usa.com
 Fax: (708) 338-9455 Email: info@wilo-usa.com

WILO Canada Inc.

Tel: (866) 945-6236 Web: www.wilo-canada.com
 Fax: (403) 277-9456 Email: info@wilo-canada.com

WILO Mexico

Tel: +52 55 5586 3209 Web: www.wilo-mexico.com.mx
 Fax: +52 1 55 5413 4165 Email: info@wilo.com.mx

Submittal Data Sheet

Wilco MVI - Vertical Multistage Pumps

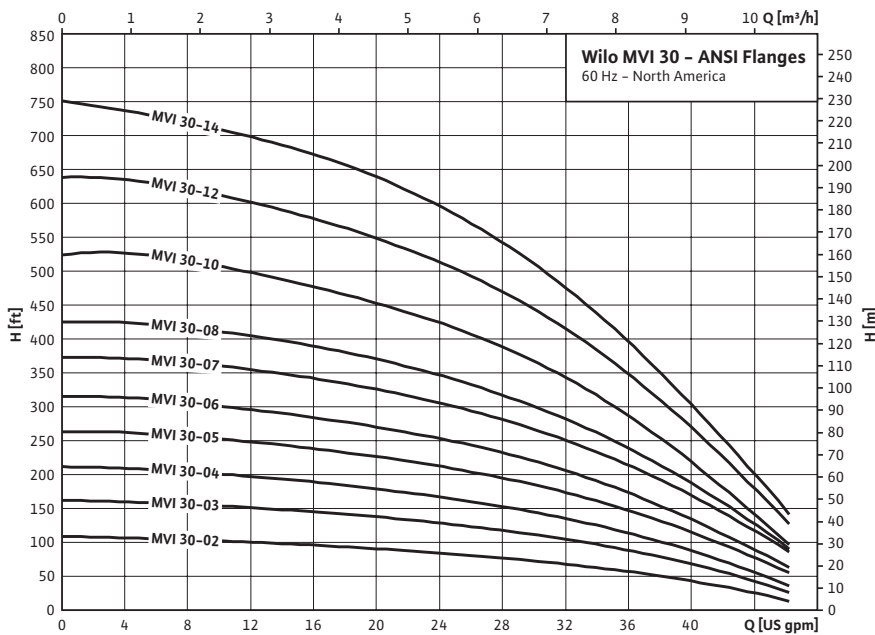


Wilco MVI 30



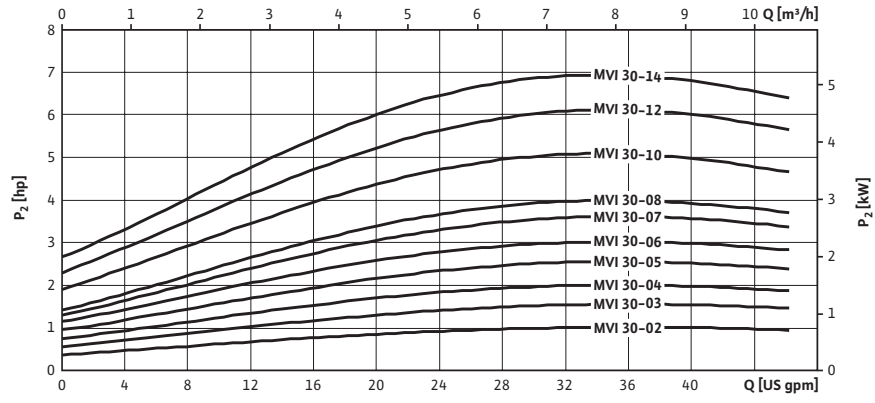
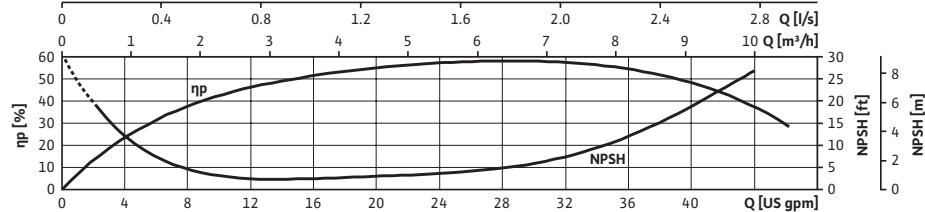
Project:	
Engineer:	
Contractor:	
Submitted By:	Date:
Approved By:	Date:

Tag #	Model #	Flow	Head	HP	Cycle	Phase	Voltage	RPM
					60Hz	3		3500



Technical Data	
Liquid Temp Range	5°F to 250°F (-15°C to 121°C)
Power Supply	3 ~ 208-230/460/575v
Ambient temperature limits	Maximum 104°F - <90% humidity (motor-dependent)
Flange Connection	1½" 250# ANSI Not Included
Max suction pressure	140 PSI
Motor Options	TEFC Standard

Materials of Construction	
Pump volute	Stainless steel
Impeller	Stainless steel AISI 304 (1.4301)
Shaft	Stainless steel AISI 304 (1.4301)
Mechanical seal	Carbon/tungsten carbide, SiC/carbon, EPDM elastomers



Applications	
• Water supply & pressure boosting	• Washing and sprinkling systems
• Condensate return	• Process engineering
• Boiler feed	• Cooling-water circuits
• Geothermal	• Heating

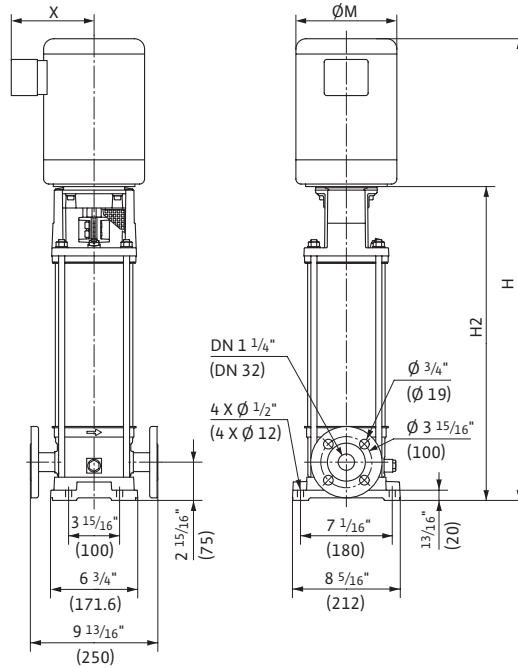
Approval Stamp

Submittal Data Sheet

Wilo MVI - Vertical Multistage Pumps



Dimensions & Weights



Dimensions and Weights

Model	Dimensions—inches (mm)								Weight	
	H		H ₂		M		X		lbs	kg
MVI 30-02	25 ^{11/16}	(652)	13 ^{3/16}	(336)	7 ^{3/16}	(183)	5 ^{3/4}	(146)	67.3	30.5
MVI 30-03	26 ^{1/16}	(662)	13 ^{5/8}	(346)	7 ^{3/16}	(183)	5 ^{3/4}	(146)	67.6	30.7
MVI 30-04	27	(686)	14 ^{9/16}	(370)	7 ^{3/16}	(183)	5 ^{3/4}	(146)	81	36.7
MVI 30-05	28 ^{15/16}	(735)	15 ^{1/2}	(394)	7 ^{3/16}	(183)	5 ^{3/4}	(146)	79.2	35.9
MVI 30-06	29 ^{7/8}	(759)	16 ^{7/16}	(418)	7 ^{3/16}	(183)	5 ^{3/4}	(146)	80.5	36.5
MVI 30-07	33 ^{9/16}	(852)	18 ^{1/8}	(461)	8 ^{1/2}	(216)	6 ^{7/8}	(174)	116	52.6
MVI 30-08	34 ^{1/2}	(876)	19 ^{1/16}	(485)	8 ^{1/2}	(216)	6 ^{7/8}	(174)	117.3	53.2
MVI 30-10	38 ^{7/8}	(987)	20 ^{15/16}	(533)	10 ^{1/4}	(261)	8 ^{1/16}	(204)	138.8	63.0
MVI 30-12	40 ^{3/4}	(1035)	22 ^{7/8}	(581)	10 ^{1/4}	(261)	8 ^{1/16}	(204)	151	68.5
MVI 30-14	42 ^{5/8}	(1083)	24 ^{3/4}	(629)	10 ^{1/4}	(261)	8 ^{1/16}	(204)	153.8	69.8

TEFC Motor Data

P2	Phase	Voltage	FLA
[HP]	[~]	[V]	[A]
1	3	208-230/460/575	4.1-3.6/1.8/1.4
1.5	3	208-230/460/575	4.9-4.6/2.3/1.8
2	3	208-230/460/575	6.2-5.8/2.9/2.2
3	3	208-230/460/575	8.1-7.6/3.8/3.0
3	3	208-230/460/575	8.1-7.6/3.8/3.0
5	3	208-230/460/575	13.2-12.0/6.0/4.8
5	3	208-230/460/575	13.2-12.0/6.0/4.8
7.5	3	208-230/460/575	19.0-17.2/8.6/7.0
7.5	3	208-230/460/575	19.0-17.2/8.6/7.0
7.5	3	208-230/460/575	19.0-17.2/8.6/7.0

WILO USA LLC

Tel: (866) 945-6872 Web: www.wilo-usa.com
 Fax: (708) 338-9455 Email: info@wilo-usa.com

WILO Canada Inc.

Tel: (866) 945-6236 Web: www.wilo-canada.com
 Fax: (403) 277-9456 Email: info@wilo-canada.com

WILO Mexico

Tel: +52 55 5586 3209 Web: www.wilo-mexico.com.mx
 Fax: +52 1 55 5413 4165 Email: info@wilo.com.mx

Submittal Data Sheet

Wilco MVI - Vertical Multistage Pumps

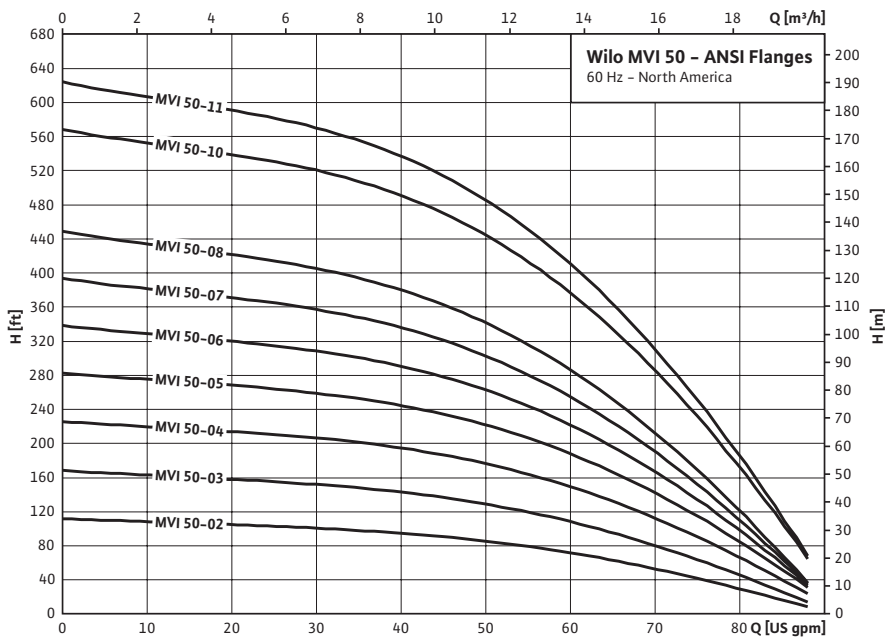


Wilco MVI 50



Project:	
Engineer:	
Contractor:	
Submitted By:	Date:
Approved By:	Date:

Tag #	Model #	Flow	Head	HP	Cycle	Phase	Voltage	RPM
					60Hz	3		3500

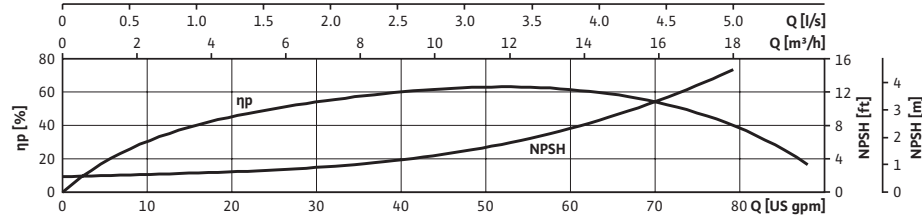


Technical Data

Liquid Temp Range	5°F to 250°F (-15°C to 121°C)
Power Supply	3 ~ 208-230/460/575v
Ambient temperature limits	Maximum 104°F - <90% humidity (motor-dependent)
Flange Connection	2" 250# ANSI Not Included
Max suction pressure	140 PSI
Motor Options	TEFC Standard

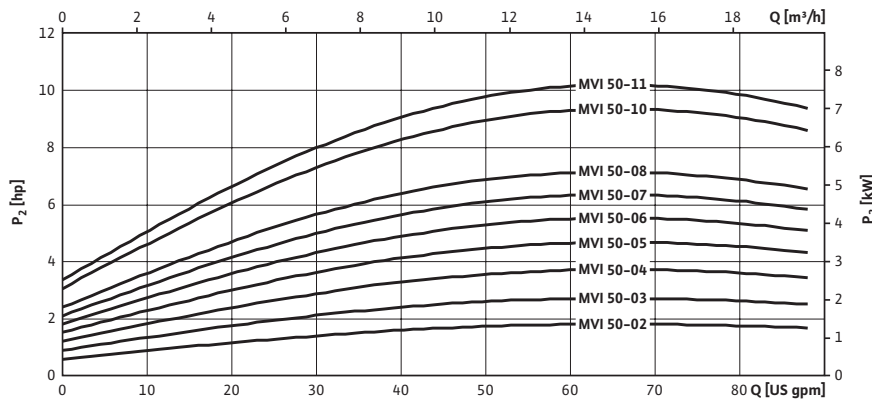
Materials of Construction

Pump volute	Stainless steel
Impeller	Stainless steel AISI 304 (1.4301)
Shaft	Stainless steel AISI 304 (1.4301)
Mechanical seal	Carbon/tungsten carbide, SiC/carbon, EPDM elastomers



Applications

- Water supply & pressure boosting
- Washing and sprinkling systems
- Condensate return
- Process engineering
- Boiler feed
- Cooling-water circuits
- Geothermal
- Heating

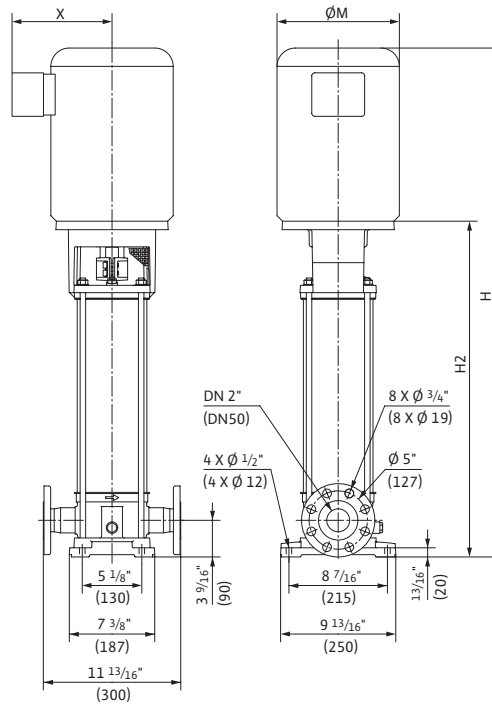


Submittal Data Sheet

Wilco MVI - Vertical Multistage Pumps



Dimensions & Weights



Dimensions and Weights

Model	Dimensions-inches (mm)								Weight	
	H		H ₂		M		X		lbs	kg
MVI 50-02	27 ¹ / ₈	(689)	14 ¹ / ₁₆	(358)	7 ³ / ₁₆	(183)	5 ³ / ₄	(146)	84.3	38.2
MVI 50-03	28 ¹¹ / ₁₆	(729)	15 ¹ / ₄	(388)	7 ³ / ₁₆	(183)	5 ³ / ₄	(146)	80.7	36.6
MVI 50-04	32 ⁵ / ₈	(829)	17 ³ / ₁₆	(437)	8 ¹ / ₂	(216)	6 ⁷ / ₈	(174)	116.2	52.7
MVI 50-05	33 ¹³ / ₁₆	(859)	18 ³ / ₈	(467)	8 ¹ / ₂	(216)	6 ⁷ / ₈	(174)	117.7	53.4
MVI 50-06	37 ⁷ / ₁₆	(951)	19 ⁹ / ₁₆	(497)	10 ¹ / ₄	(261)	8 ¹ / ₁₆	(204)	146.4	66.4
MVI 50-07	38 ⁵ / ₈	(981)	20 ³ / ₄	(527)	10 ¹ / ₄	(261)	8 ¹ / ₁₆	(204)	147.9	67.1
MVI 50-08	39 ¹³ / ₁₆	(1011)	21 ¹⁵ / ₁₆	(557)	10 ¹ / ₄	(261)	8 ¹ / ₁₆	(204)	149.5	67.8
MVI 50-10	42 ⁹ / ₁₆	(1081)	24 ⁵ / ₈	(626)	10 ¹ / ₄	(261)	8 ¹ / ₁₆	(204)	179.8	81.6
MVI 50-11	45 ³ / ₁₆	(1148)	27	(686)	10 ¹ / ₄	(261)	8 ¹ / ₁₆	(204)	182.9	83

TEFC Motor Data

P2	Phase	Voltage	FLA
2	3	208-230/460/575	6.2-5.8/2.9/2.2
3	3	208-230/460/575	8.1-7.6/3.8/3.0
5	3	208-230/460/575	13.2-12.0/6.0/4.8
5	3	208-230/460/575	13.2-12.0/6.0/4.8
7.5	3	208-230/460/575	19.0-17.2/8.6/7.0
7.5	3	208-230/460/575	19.0-17.2/8.6/7.0
7.5	3	208-230/460/575	19.0-17.2/8.6/7.0
10	3	208-230/460/575	26.2-23.8/11.9/9.2
10	3	208-230/460/575	26.2-23.8/11.9/9.2

WILO USA LLC

Tel: (866) 945-6872 Web: www.wilo-usa.com
 Fax: (708) 338-9455 Email: info@wilo-usa.com

WILO Canada Inc.

Tel: (866) 945-6236 Web: www.wilo-canada.com
 Fax: (403) 277-9456 Email: info@wilo-canada.com

WILO Mexico

Tel: +52 55 5586 3209 Web: www.wilo-mexico.com.mx
 Fax: +52 1 55 5413 4165 Email: info@wilo.com.mx

Submittal Data Sheet

Wilco MVI - Vertical Multistage Pumps

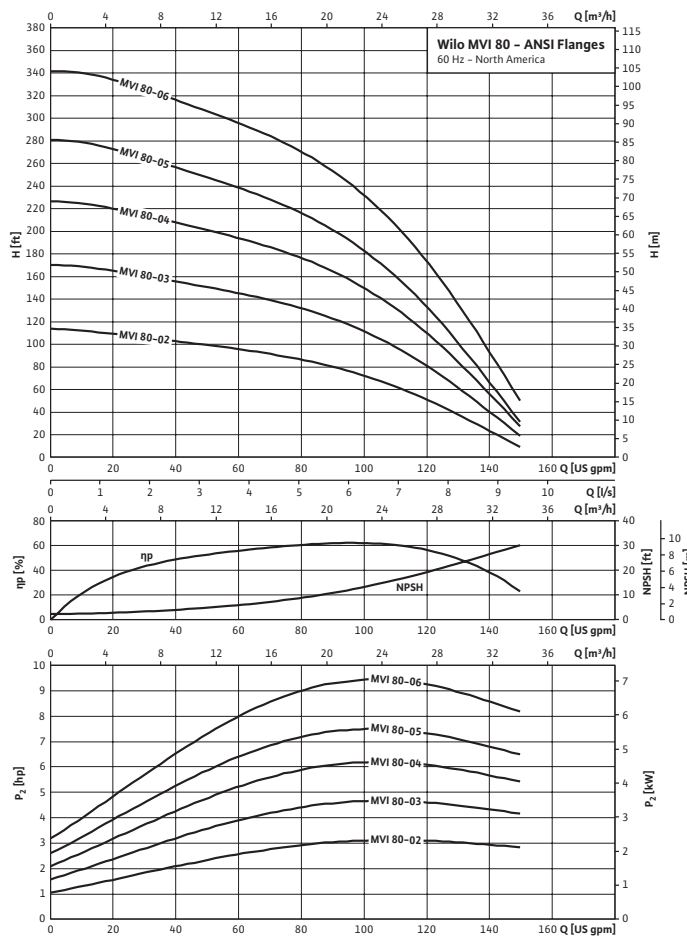


Wilco MVI 80



Project:	
Engineer:	
Contractor:	
Submitted By:	Date:
Approved By:	Date:

Tag #	Model #	Flow	Head	HP	Cycle	Phase	Voltage	RPM
					60Hz	3		3500



Technical Data	
Liquid Temp Range	5°F to 250°F (-15°C to 121°C)
Power Supply	3 ~ 208-230/460/575v
Ambient temperature limits	Maximum 104°F - <90% humidity (motor-dependent)
Flange Connection	2" 250# ANSI Not Included
Max suction pressure	140 PSI
Motor Options	TEFC Standard

Materials of Construction	
Pump volute	Stainless steel
Impeller	Stainless steel AISI 304 (1.4301)
Shaft	Stainless steel AISI 304 (1.4301)
Mechanical seal	Carbon/tungsten carbide, SiC/carbon, EPDM elastomers

Applications	
• Water supply & pressure boosting	• Washing and sprinkling systems
• Condensate return	• Process engineering
• Boiler feed	• Cooling-water circuits
• Geothermal	• Heating

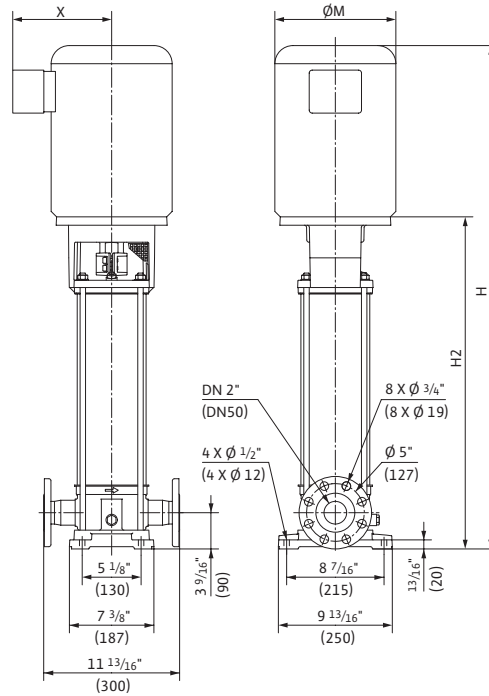
Approval Stamp

Submittal Data Sheet

Wilo MVI - Vertical Multistage Pumps



Dimensions & Weights



Dimensions and Weights

Model	Dimensions—inches (mm)								Weight	
	H		H ₂		M		X		lbs	kg
	in	(mm)	in	(mm)	in	(mm)	in	(mm)		
MVI 80-02	29 ^{3/16}	(742)	15 ^{3/4}	(401)	7 ^{3/16}	(183)	5 ^{3/4}	(146)	82.9	37.6
MVI 80-03	32 ^{3/8}	(822)	16 ^{15/16}	(431)	8 ^{1/2}	(216)	6 ^{7/8}	(174)	119.7	54.3
MVI 80-04	36 ^{5/16}	(923)	18 ^{7/16}	(469)	10 ^{1/4}	(261)	8 ^{1/16}	(204)	149.3	67.7
MVI 80-05	37 ^{13/16}	(961)	19 ^{15/16}	(507)	10 ^{1/4}	(261)	8 ^{1/16}	(204)	151.9	68.9
MVI 80-06	40	(1016)	21 ^{13/16}	(554)	10 ^{1/4}	(261)	8 ^{1/16}	(204)	179.8	81.6

TEFC Motor Data

P2	Phase	Voltage	FLA
3	3	208-230/460/575	8.1-7.6/3.8/3.0
5	3	208-230/460/575	13.2-12.0/6.0/4.8
7.5	3	208-230/460/575	19.0-17.2/8.6/7.0
7.5	3	208-230/460/575	19.0-17.2/8.6/7.0
10	3	208-230/460/575	26.2-23.8/11.9/9.2

WILO USA LLC

Tel: (866) 945-6872 Web: www.wilo-usa.com
 Fax: (708) 338-9455 Email: info@wilo-usa.com

WILO Canada Inc.

Tel: (866) 945-6236 Web: www.wilo-canada.com
 Fax: (403) 277-9456 Email: info@wilo-canada.com

WILO Mexico

Tel: +52 55 5586 3209 Web: www.wilo-mexico.com.mx
 Fax: +52 1 55 5413 4165 Email: info@wilo.com.mx