

Submittal Data Sheet

Wilco MVI - Vertical Multistage Pumps

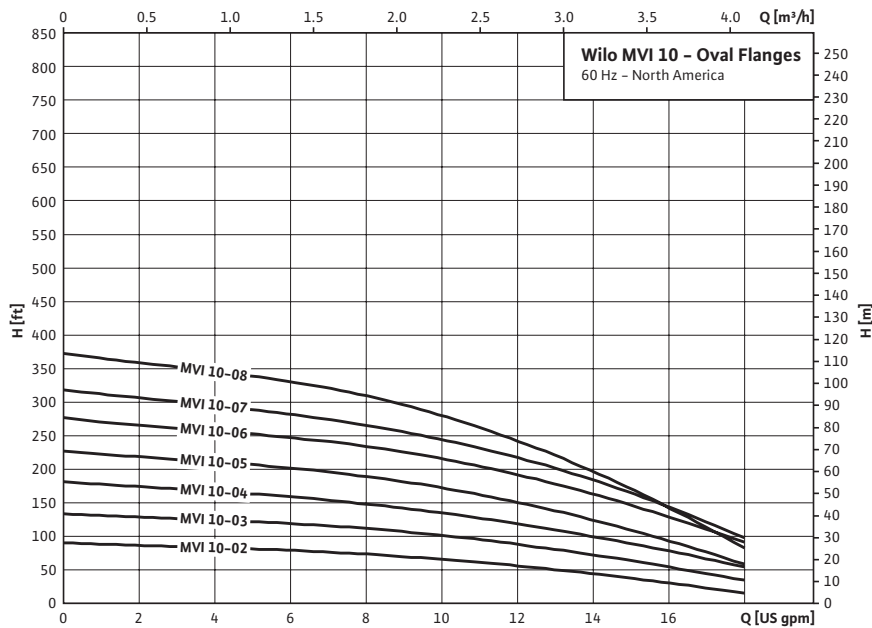


Wilco MVI 10



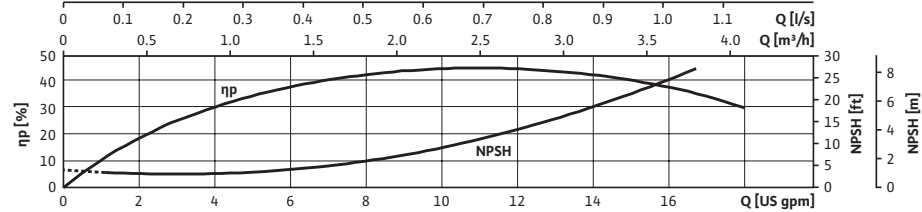
Project:	
Engineer:	
Contractor:	
Submitted By:	Date:
Approved By:	Date:

Tag #	Model #	Flow	Head	HP	Cycle	Phase	Voltage	RPM
					60Hz	1		3500

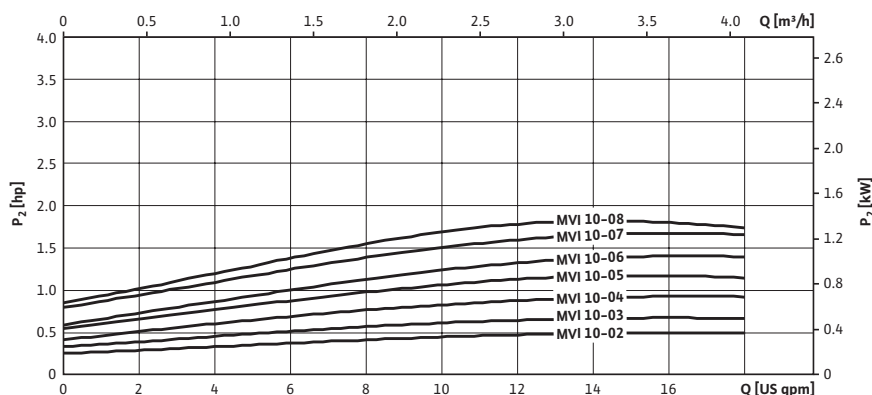


Technical Data	
Liquid Temp Range	5°F to 250°F (-15°C to 121°C)
Power Supply	1 ~ 115/230v
Ambient temperature limits	Maximum 104°F - <90% humidity (motor-dependent)
Flange Connection	1" FNPT Oval Flanges Included
Max suction pressure	140 PSI
Motor Options	TEFC Standard

Materials of Construction	
Pump volute	Stainless steel
Impeller	Stainless steel AISI 304 (1.4301)
Shaft	Stainless steel AISI 304 (1.4301)
Mechanical seal	Carbon/tungsten carbide, SiC/carbon, EPDM elastomers



Applications	
• Water supply & pressure boosting	• Washing and sprinkling systems
• Condensate return	• Process engineering
• Boiler feed	• Cooling-water circuits
• Geothermal	• Heating

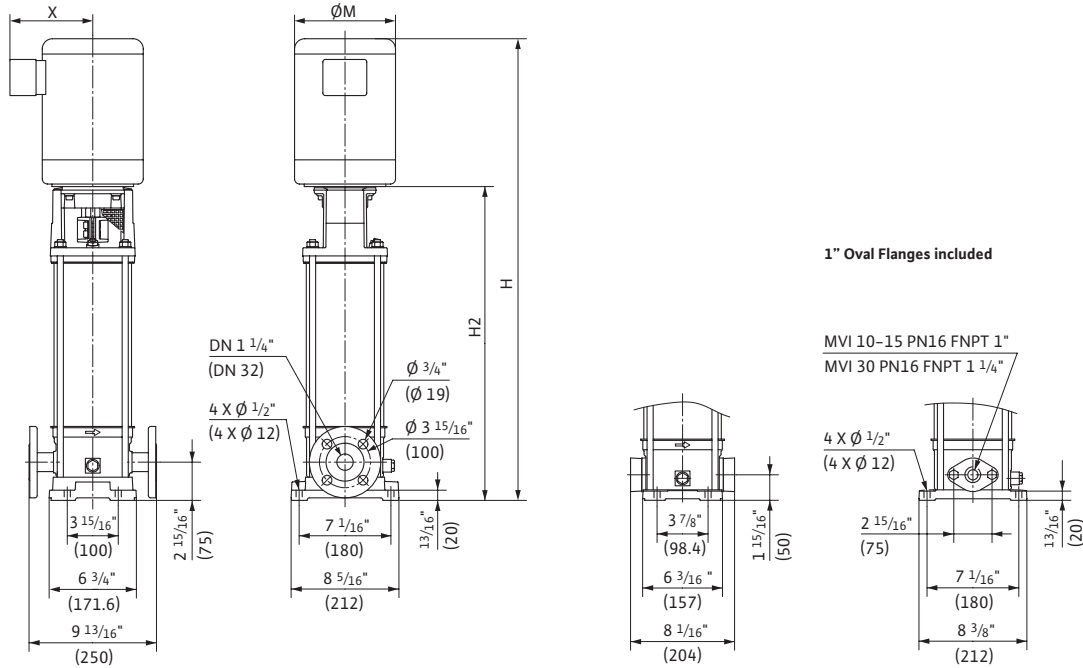


Submittal Data Sheet

Wilco MVI - Vertical Multistage Pumps



Dimensions & Weights



Dimensions and Weights

TEFC Motor Data

Model	Dimensions—inches (mm)								Weight	
	H		H ₂		M		X		lbs	kg
	in	(mm)	in	(mm)	in	(mm)	in	(mm)		
MVI 10-02	24 1/4	(616)	13 15/16	(354)	6 3/16	(157)	5 3/16	(132)	61	27.7
MVI 10-03	24 1/4	(616)	13 15/16	(354)	6 3/16	(157)	5 3/16	(132)	61.2	27.8
MVI 10-04	26 3/8	(670)	13 15/16	(354)	7 3/16	(183)	5 3/4	(146)	69.5	31.5
MVI 10-04	28	(710)	14 3/4	(374)	7 3/16	(183)	5 3/4	(146)	74.8	33.9
MVI 10-05	28	(710)	15 1/2	(394)	7 3/16	(183)	5 3/4	(146)	75.3	34.2
MVI 10-06	28 3/4	(730)	15 5/16	(414)	7 3/16	(183)	5 3/4	(146)	90.7	41.1
MVI 10-08	30 5/16	(770)	17 7/8	(454)	7 3/16	(183)	5 3/4	(146)	93.3	42.3

P2	Phase	Voltage	FLA
1/2	1	115/230	7.0/3.5
3/4	1	115/230	9.4/4.7
1	1	115/230	11.8/5.9
1.5	1	115/230	16.0/8.0
1.5	1	115/230	16.0/8.0
2	1	115/230	23.0/11.5
2	1	115/230	23.0/11.5

WILO USA LLC

Tel: (866) 945-6872 Web: www.wilo-usa.com
Fax: (708) 338-9455 Email: info@wilo-usa.com

WILO Canada Inc.

Tel: (866) 945-6236 Web: www.wilo-canada.com
Fax: (403) 277-9456 Email: info@wilo-canada.com

WILO Mexico

Tel: +52 55 5586 3209 Web: www.wilo-mexico.com.mx
Fax: +52 1 55 5413 4165 Email: info@wilo.com.mx

Submittal Data Sheet

Wilco MVI - Vertical Multistage Pumps

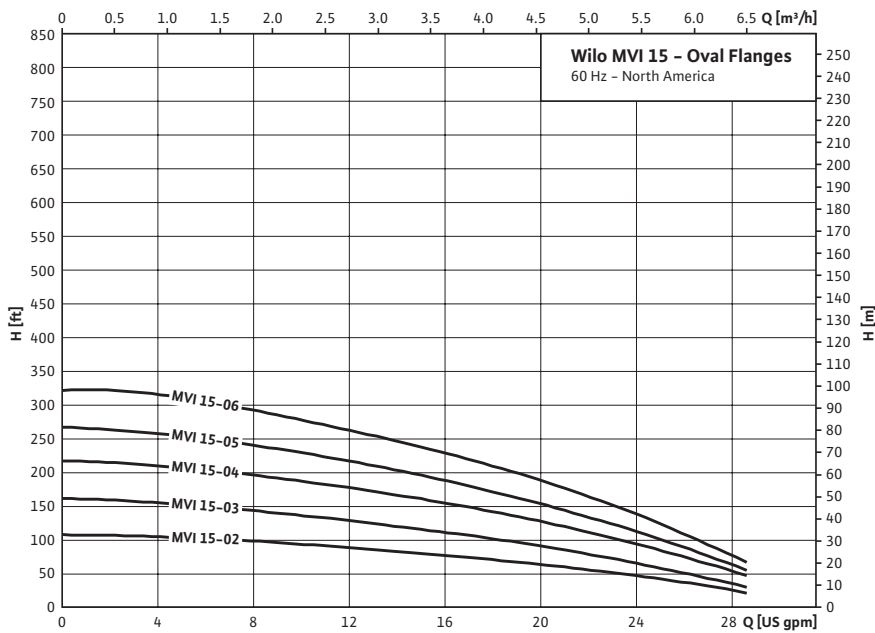


Wilco MVI 15

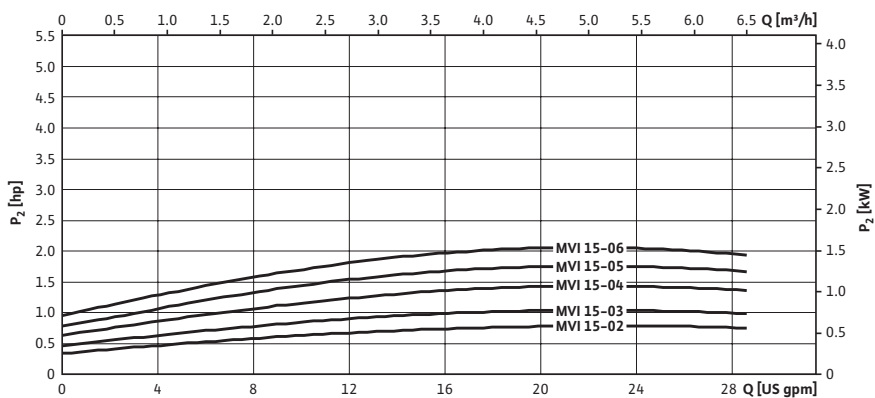
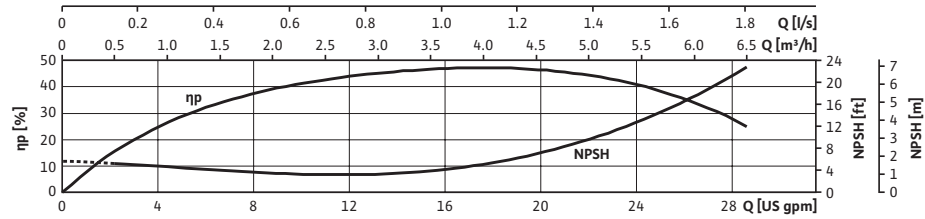


Project:	
Engineer:	
Contractor:	
Submitted By:	Date:
Approved By:	Date:

Tag #	Model #	Flow	Head	HP	Cycle	Phase	Voltage	RPM
					60Hz	1		3500



Technical Data	
Liquid Temp Range	5°F to 250°F (-15°C to 121°C)
Power Supply	1 ~ 115/230v
Ambient temperature limits	Maximum 104°F - <90% humidity (motor-dependent)
Flange Connection	1" FNPT Oval Flanges Included
Max suction pressure	140 PSI
Motor Options	TEFC Standard



Materials of Construction	
Pump volute	Stainless steel
Impeller	Stainless steel AISI 304 (1.4301)
Shaft	Stainless steel AISI 304 (1.4301)
Mechanical seal	Carbon/tungsten carbide, SiC/carbon, EPDM elastomers

Applications	
• Water supply & pressure boosting	• Washing and sprinkling systems
• Condensate return	• Process engineering
• Boiler feed	• Cooling-water circuits
• Geothermal	• Heating

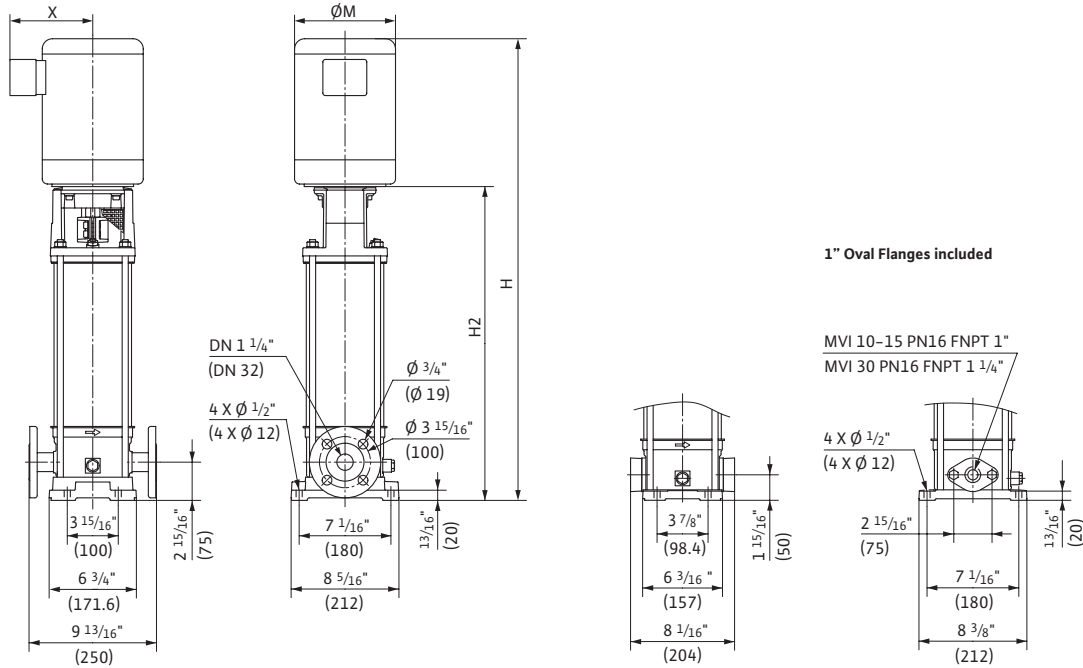
Approval Stamp

Submittal Data Sheet

Wilco MVI - Vertical Multistage Pumps



Dimensions & Weights



Dimensions and Weights

TEFC Motor Data

Model	Dimensions—inches (mm)								Weight	
	H		H ₂		M		X		lbs	kg
	in	(mm)	in	(mm)	in	(mm)	in	(mm)		
MVI 15-02	24 ^{7/8}	(632)	13 ^{5/8}	(346)	6 ^{3/16}	(157)	5 ^{3/16}	(132)	56.6	25.7
MVI 15-03	26 ^{1/16}	(662)	13 ^{5/8}	(346)	7 ^{3/16}	(183)	5 ^{3/4}	(146)	63.6	28.8
MVI 15-04	27	(686)	14 ^{9/16}	(370)	7 ^{3/16}	(183)	5 ^{3/4}	(146)	68.9	31.3
MVI 15-05	27 ^{15/16}	(710)	15 ^{1/2}	(394)	7 ^{3/16}	(183)	5 ^{3/4}	(146)	82.3	37.3
MVI 15-06	29 ^{7/8}	(759)	16 ^{7/16}	(418)	7 ^{3/16}	(183)	5 ^{3/4}	(146)	84.5	38.3

P2	Phase	Voltage	FLA
[HP]	[-]	[V]	[A]
1	1	115/230	11.8/5.9
1	1	115/230	11.8/5.9
1.5	1	115/230	16.0/8.0
2	1	115/230	23.0/11.5
2	1	115/230	23.0/11.5

WILO USA LLC

Tel: (866) 945-6872 Web: www.wilo-usa.com
 Fax: (708) 338-9455 Email: info@wilo-usa.com

WILO Canada Inc.

Tel: (866) 945-6236 Web: www.wilo-canada.com
 Fax: (403) 277-9456 Email: info@wilo-canada.com

WILO Mexico

Tel: +52 55 5586 3209 Web: www.wilo-mexico.com.mx
 Fax: +52 1 55 5413 4165 Email: info@wilo.com.mx

Submittal Data Sheet

Wilco MVI - Vertical Multistage Pumps

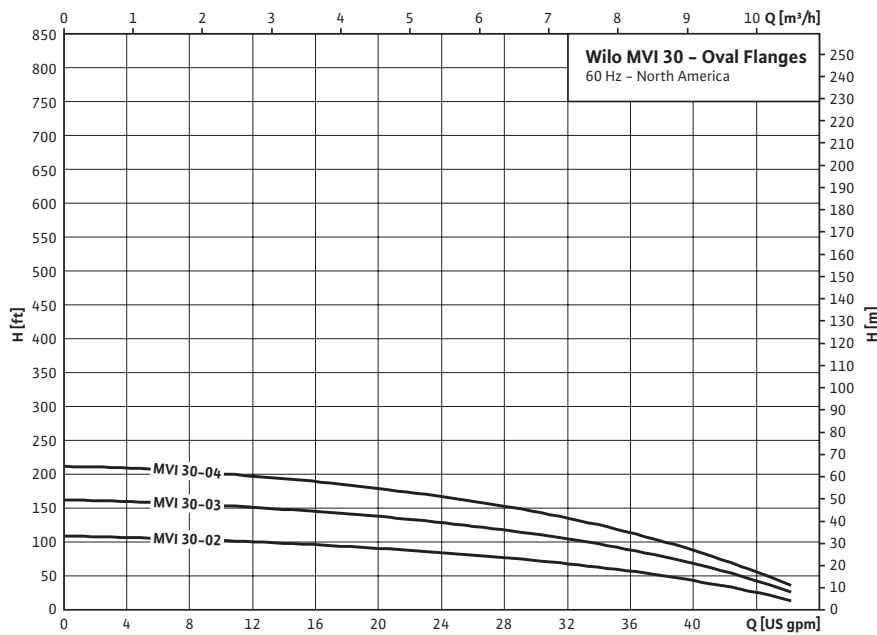


Wilco MVI 30



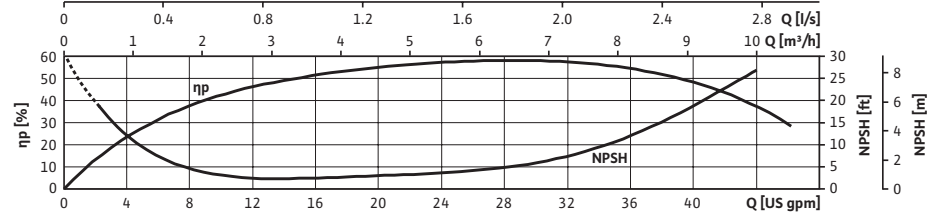
Project:	
Engineer:	
Contractor:	
Submitted By:	Date:
Approved By:	Date:

Tag #	Model #	Flow	Head	HP	Cycle	Phase	Voltage	RPM
					60Hz	1		3500

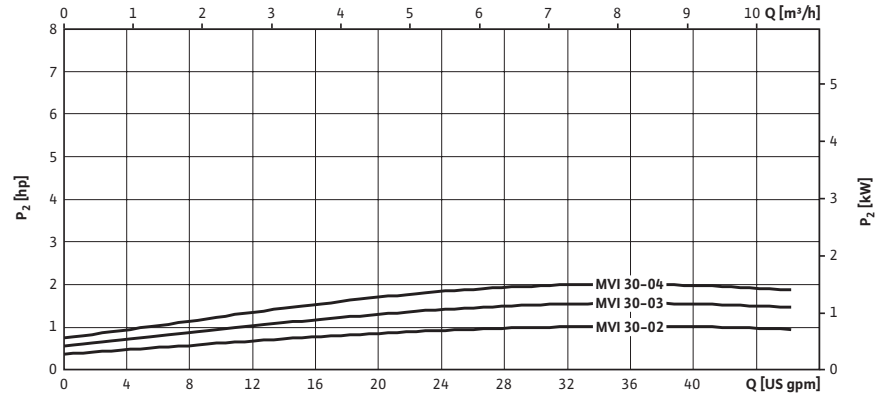


Technical Data	
Liquid Temp Range	5°F to 250°F (-15°C to 121°C)
Power Supply	1 - 115/230v
Ambient temperature limits	Maximum 104°F - <90% humidity (motor-dependent)
Flange Connection	1 1/4" FNPT Oval Flanges Included
Max suction pressure	140 PSI
Motor Options	TEFC Standard

Materials of Construction	
Pump volute	Stainless steel
Impeller	Stainless steel AISI 304 (1.4301)
Shaft	Stainless steel AISI 304 (1.4301)
Mechanical seal	Carbon/tungsten carbide, SiC/carbon, EPDM elastomers



Applications	
• Water supply & pressure boosting	• Washing and sprinkling systems
• Condensate return	• Process engineering
• Boiler feed	• Cooling-water circuits
• Geothermal	• Heating



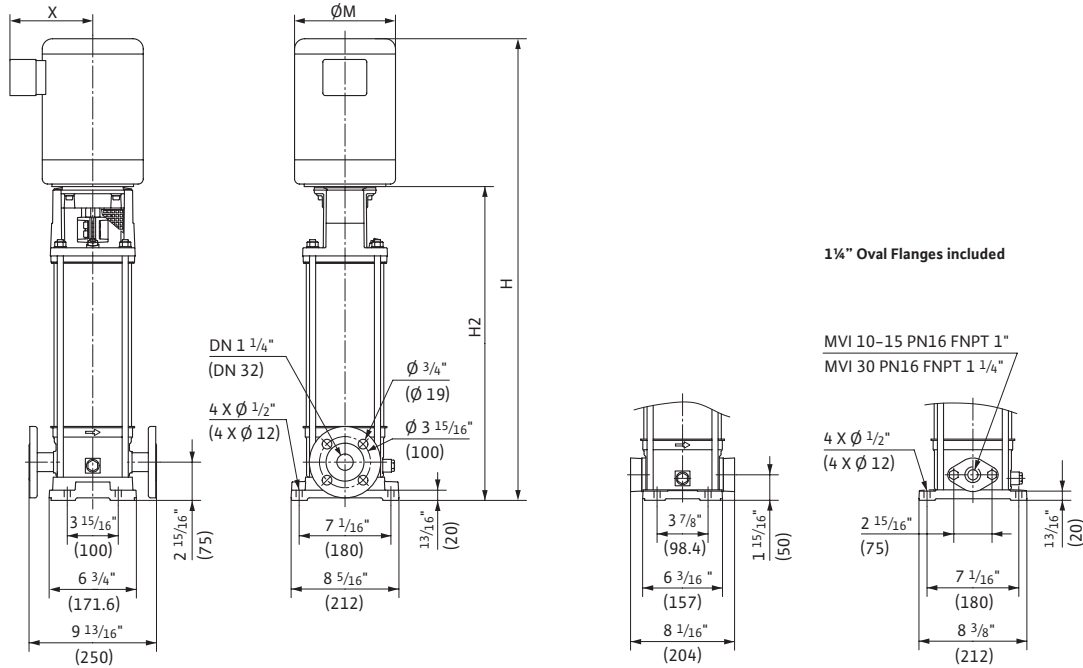
Approval Stamp

Submittal Data Sheet

Wilco MVI - Vertical Multistage Pumps



Dimensions & Weights



Dimensions and Weights

TEFC Motor Data

Model	Dimensions—inches (mm)								Weight	
	H		H ₂		M		X		lbs	kg
	in	(mm)	in	(mm)	in	(mm)	in	(mm)		
MVI 30-02	25 ^{11/16}	(652)	13 ^{3/16}	(336)	7 ^{3/16}	(183)	5 ^{3/4}	(146)	67.3	30.5
MVI 30-03	26 ^{1/16}	(662)	13 ^{5/8}	(346)	7 ^{3/16}	(183)	5 ^{3/4}	(146)	67.6	30.7
MVI 30-04	27	(686)	14 ^{9/16}	(370)	7 ^{3/16}	(183)	5 ^{3/4}	(146)	81	36.7

P2	Phase	Voltage	FLA
[HP]	[~]	[V]	[A]
1	1	115/230	11.8/5.9
1.5	1	115/230	16.0/8.0
2	1	115/230	23.0/11.5

WILO USA LLC

Tel: (866) 945-6872 Web: www.wilo-usa.com
 Fax: (708) 338-9455 Email: info@wilo-usa.com

WILO Canada Inc.

Tel: (866) 945-6236 Web: www.wilo-canada.com
 Fax: (403) 277-9456 Email: info@wilo-canada.com

WILO Mexico

Tel: +52 55 5586 3209 Web: www.wilo-mexico.com.mx
 Fax: +52 1 55 5413 4165 Email: info@wilo.com.mx

Submittal Data Sheet

Wilco MVI - Vertical Multistage Pumps

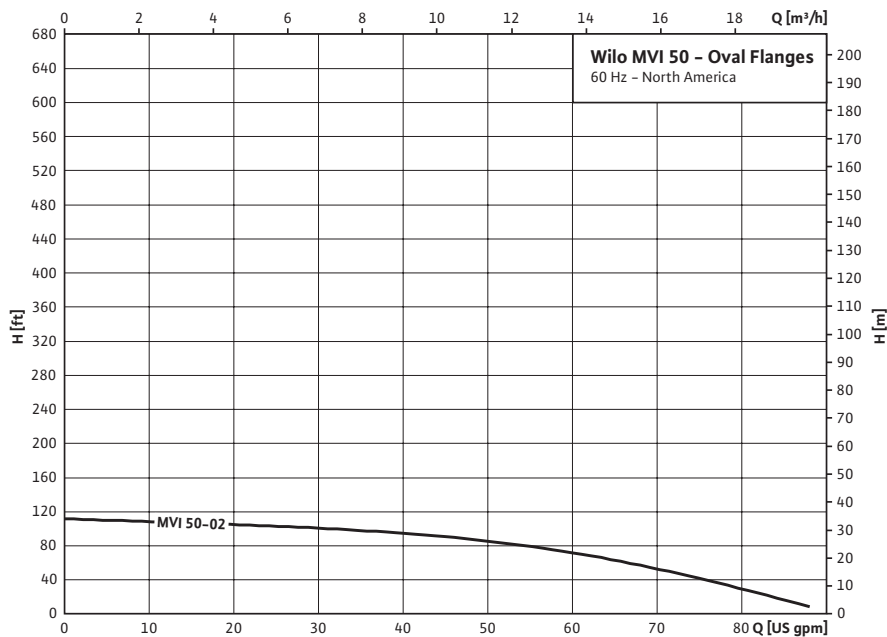


Wilco MVI 50



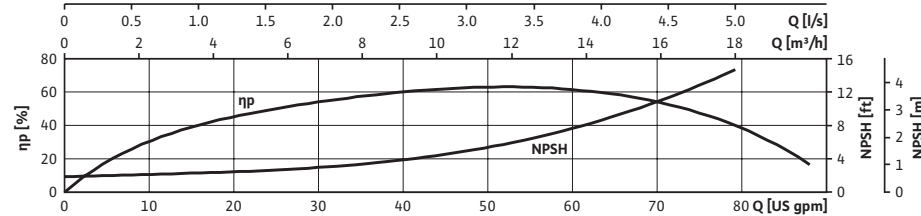
Project:	
Engineer:	
Contractor:	
Submitted By:	Date:
Approved By:	Date:

Tag #	Model #	Flow	Head	HP	Cycle	Phase	Voltage	RPM
					60Hz	1		3500

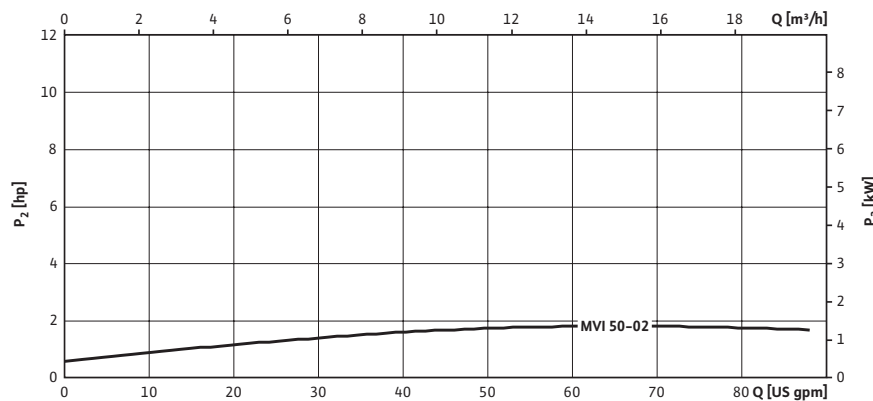


Technical Data	
Liquid Temp Range	5°F to 250°F (-15°C to 121°C)
Power Supply	1 ~ 115/230v
Ambient temperature limits	Maximum 104°F - <90% humidity (motor-dependent)
Flange Connection	1½" FNPT Oval Flanges Included
Max suction pressure	140 PSI
Motor Options	TEFC Standard

Materials of Construction	
Pump volute	Stainless steel
Impeller	Stainless steel AISI 304 (1.4301)
Shaft	Stainless steel AISI 304 (1.4301)
Mechanical seal	Carbon/tungsten carbide, SiC/carbon, EPDM elastomers



Applications	
• Water supply & pressure boosting	• Washing and sprinkling systems
• Condensate return	• Process engineering
• Boiler feed	• Cooling-water circuits
• Geothermal	• Heating



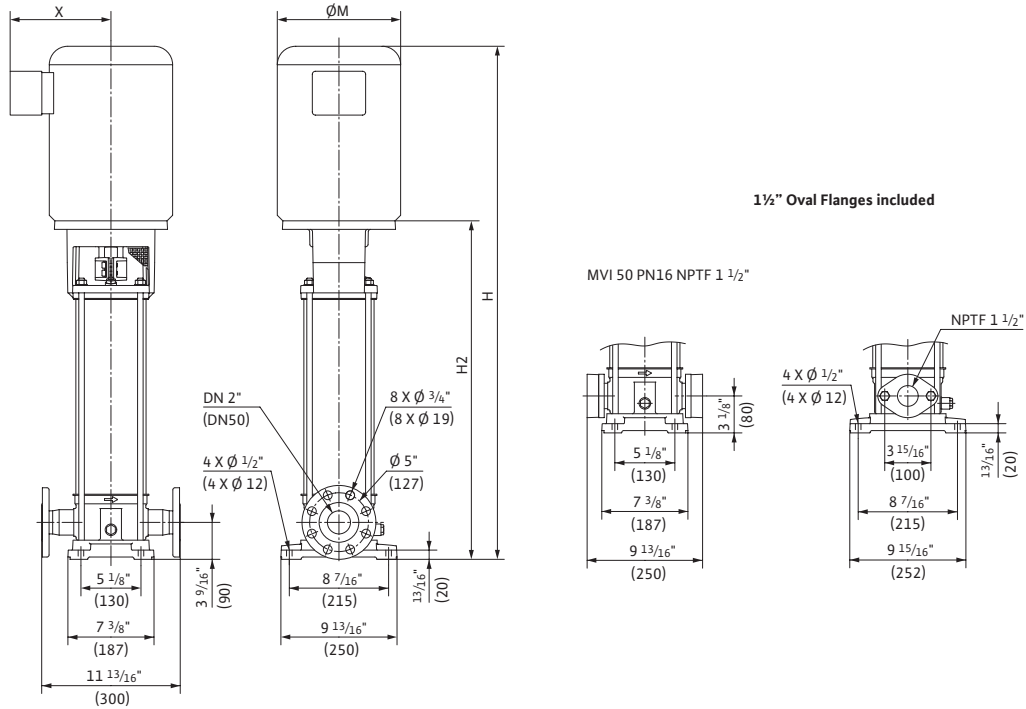
Approval Stamp

Submittal Data Sheet

Wilo MVI - Vertical Multistage Pumps



Dimensions & Weights



Dimensions and Weights

TEFC Motor Data

Model	Dimensions—inches (mm)								Weight	
	H		H ₂		M		X		lbs	kg
	in	(mm)	in	(mm)	in	(mm)	in	(mm)		
MVI 50-02	27 ^{1/8}	(689)	14 ^{1/16}	(358)	7 ^{3/16}	(183)	5 ^{3/4}	(146)	84.3	38.2

P2	Phase	Voltage	FLA
2	1	115/230	23.0/11.5

WILO USA LLC

Tel: (866) 945-6872 Web: www.wilo-usa.com
 Fax: (708) 338-9455 Email: info@wilo-usa.com

WILO Canada Inc.

Tel: (866) 945-6236 Web: www.wilo-canada.com
 Fax: (403) 277-9456 Email: info@wilo-canada.com

WILO Mexico

Tel: +52 55 5586 3209 Web: www.wilo-mexico.com.mx
 Fax: +52 1 55 5413 4165 Email: info@wilo.com.mx