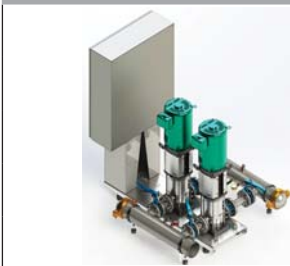


# Submittal Data Sheet

## Wilo CO-Helix - NSF 61/372 Pressure Boosting System



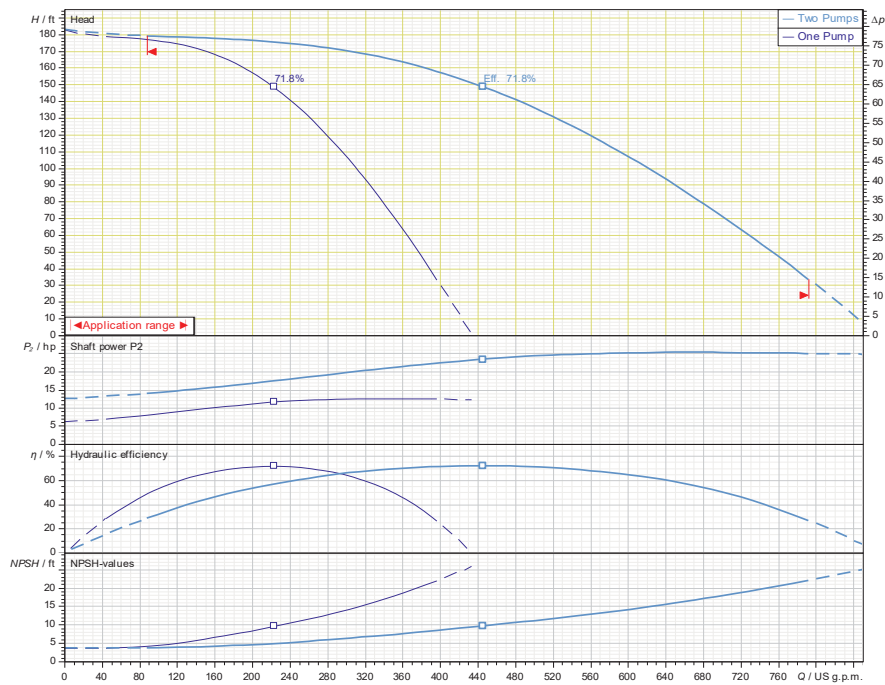
### CO-2 HELIX V270-02/2-1/15/VCE



|               |       |
|---------------|-------|
| Project:      |       |
| Engineer:     |       |
| Contractor:   |       |
| Submitted By: | Date: |
| Approved By:  | Date: |

| Tag # | Model #                       | Flow | BOOST PSI | Min. Inlet PSI | HP/Pump | Phase | Voltage | RPM  |
|-------|-------------------------------|------|-----------|----------------|---------|-------|---------|------|
|       | CO-2 HELIX V270-02/2-1/15/VCE |      |           |                | 15      |       |         | 3600 |

CO-2 Helix 270-02/2



#### Applications

- Water Supply
- Agriculture
- Washing / Sprinkling Systems
- Pressure Boosting
- Cooling Circuits
- Condensate Return

#### Materials of Construction

|                             |   |
|-----------------------------|---|
| Pump Volute                 | AISI304 stainless steel with ANSI flanges   |
| Impeller                    | 3D Laser welded AISI 304 Stainless Steel  |
| Shaft                       | AISI304, AISI318 LN, or AISI431 Stainless Steel   |
| Elastomers                  | EPDM  |
| Isolation Valves            | 304 Stainless Steel Ball Valves   |
| Suction/Discharge Manifolds | AISI304 Stainless Steel with Grooved System Connections   |
| Check Valves                | Wafer Style, 316 Stainless Steel internals, Non-slam, Plunger-type with EPDM seal/ Cast Iron Body |
| Mechanical Seal             | Cartridge Seal: Sleeve AISI316L / Spring Clips AISI304  |
| Pressure Transducers        | 316 Stainless Steel   |
| Pressure Guages             | 304 Stainless Steel Housing with 316 Stainless Steel wetted parts                                 |
| System base                 | Steel (S235JR)  |
| Vibration Isolators         | Neoprene, Height Adjustable   |

#### Technical Data - Operational Ranges

|                     |  |
|---------------------|--|
| Liquid Temp Range   | -4°F to +248°F (Min. 32 °F for Domestic Water) |
| Ambient Temp Range  | +32°F to +104 °F                               |
| Max Inlet Pressure  | 145 PSI  |
| Max System Pressure | 232 PSI  |

#### Technical Data - Panel

|                           |                                     |
|---------------------------|-------------------------------------|
| Power Supply              | 208-230/460-3 or 575-3              |
| Enclosure                 | NEMA 12 (3R Available Upon Request) |
| Standard                  | Meets UL 508A                       |
| Variable Frequency Drives | Danfoss FC-101                      |

#### Technical Data - PLC

|                           |  |
|---------------------------|--|
| User Interface            | 7" Diagonal Color LCD Touchscreen                                    |
| Display Resolution        | 800 x 480 Pixels   |
| Supply Voltage            | 24VDC  |
| Max. Current Consumption  | 320mA@24V  |
| Number of Analog Inputs   | 9  |
| Number of Analog Outputs  | 2  |
| Number of Digital Inputs  | 18   |
| Number of Digital Outputs | 17   |
| Onboard Communications    | Modbus Protocol (Optional Gateways for BacNET, LonWorks, and CANbus) |
| Ethernet Port             | RJ45 port capable of transmitting data 10/100Mbps                    |
| Additional Ports          | 2.0 USB Port; Micro-SD Port  |

#### Motor Data

|                        |   |
|------------------------|---|
| Power Supply           | 208-230-3 or 460-3 or 575-3                           |
| Motor Enclosure        | Totally Enclosed Fan Cooled (TEFC)                    |
| Motor Efficiency       | Nema Premium Efficiency (IE3) - Meets NEMA 12-12 Rule |
| Enclosure Construction | Rolled Steel / Cast Iron                              |
| Motor Protection Index | IP54  |
| Insulation Class       | F   |

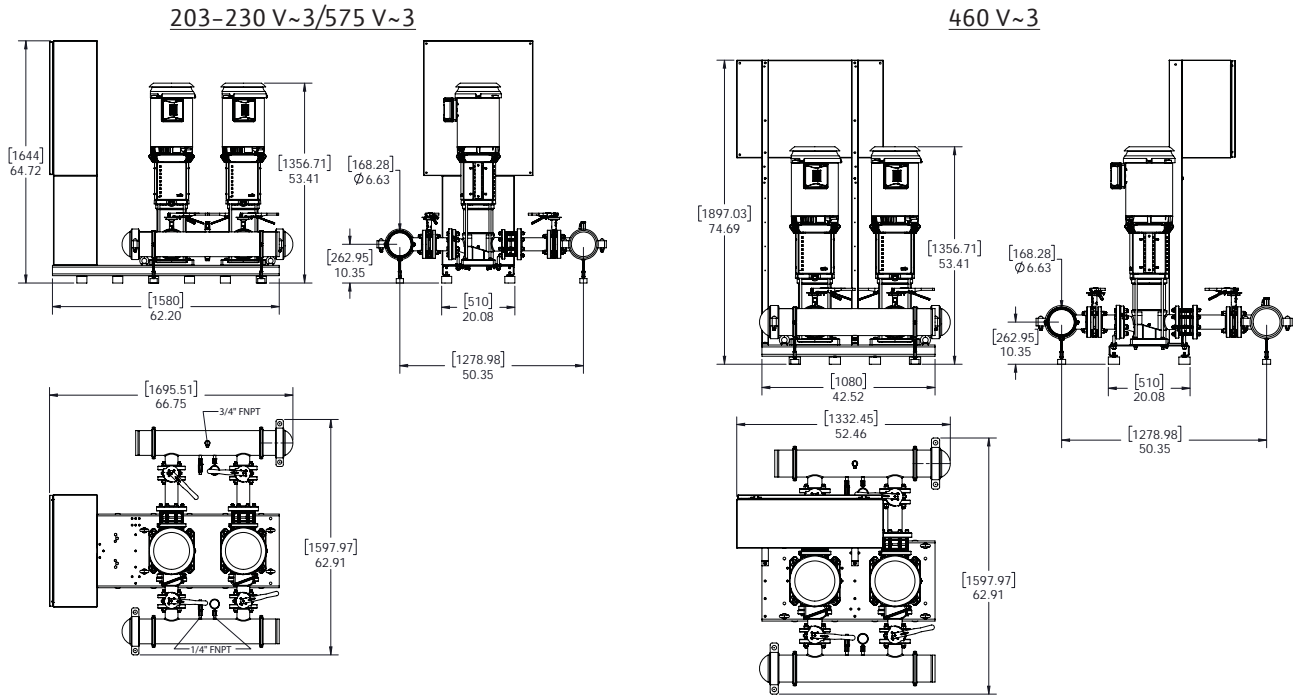
Approval Stamp

# Submittal Data Sheet

Wilo CO-Helix - NSF 61/372 Pressure Boosting System



## CO-2 HELIX V270-02/2-1/15/VCE



Special Note: All weights and dimensions are approximate and should not be used as exact rough-in dimensions

### Dimensions and Weights

| Model                         | Voltage (V)   | Dimensions-inches |        |        |                    |  |                |                     | Individual Pump Weight                        | Package Weight    |                      |
|-------------------------------|---------------|-------------------|--------|--------|--------------------|--|----------------|---------------------|---|-------------------|----------------------|
|                               |               | H (in)            | W (in) | L (in) | System Header Size | Suction / Discharge Pump Size (300 Class ANSI) | Gauge Tap Size | Transducer Tap Size | Hydronumatic Tank Valve on Manifold (Plugged) | Pump Weight (lbs) | Package Weight (lbs) |
| CO-2 HELIX V270-02/2-1/15/VCE | 208-230/575 v | 64-3/4            | 66-3/4 | 62-7/8 | 6" GROOVED         | 3"   | 1/4" FNPT      | 1/4" FNPT           | 3/4" MNPT x 3/4" FNPT                         | 358               | 1,431                |
|                               | 460 V         | 74-3/4            | 52-1/2 | 62-7/8 |                    |  |                |                     |   |                   |                      |

### TEFC Motor Data

| Model                         | P2 (HP) | Phase (-) | Voltage (V)     | FLA (per pump) (A)  | Pmax (PSI) |
|-------------------------------|---------|-----------|-----------------|---------------------|------------|
| CO-2 HELIX V270-02/2-1/15/VCE | 15      | 3         | 208-230/460/575 | 38.5-34.8/17.4/13.8 | 232        |