




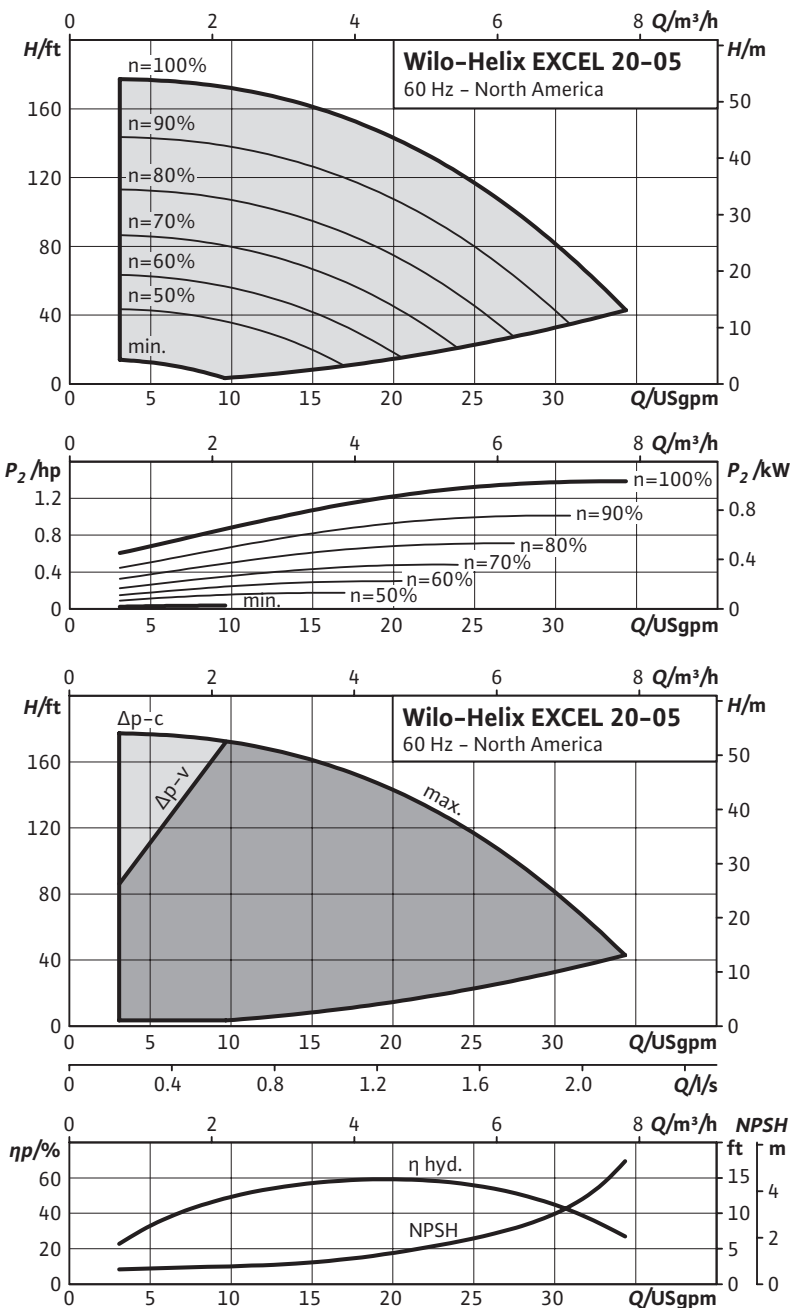
Submittal Data Sheet

High-Efficiency Multistage Pumps



Helix EXCEL 20-05	
 <div style="text-align: center;">  <p>CLASSIFIED UL US WATER QUALITY Certified to NSF/ANSI 61</p>  </div>	Project: _____ Engineer: _____ Contractor: _____ Submitted By: _____ Date: _____ Approved By: _____ Date: _____

Tag #	Model #	Flow	Head	Volute	Control Mode	HP	Phase	Voltage
	Helix Excel 20-05					1.5	3	460



Technical Data	
Liquid Temp Range	-22°F to 284°F (-30°C to +120°C)
Fluid Compatibility	Water, up to 50/50 Water-Glycol
Max Operating Pressure	232.1/362.6 PSI
Mains Voltage	460V (±10%) 60Hz
Protection Class	IP 55, Class F Insulation
Ambient Temp Range	5°F to 104°F (-15°C to 40°C)
Ambient Humidity	< 90% without condensation

Materials of Construction		
Pump Volute	AISI 304L*	AISI 316L
Mechanical Seal	EPDM	FKM
Impellers Stage Housings Diffusers	AISI 304L	AISI 316L
Shaft	AISI 304L / AISI 318 LN	AISI 316L / AISI 318LN
O-ring for mechanical seal	EPDM (FKM gasket on request)	EPDM (FKM gasket on request)
Sleeve under the mechanical seal	AISI 316L	AISI 316L

*304 pump volutes are NSF 61 certified

IR Module Selection	
Select	Module
<input type="checkbox"/>	BACnet / Dual Pump
<input type="checkbox"/>	LONworks / Dual Pump
<input type="checkbox"/>	MODBus
<input type="checkbox"/>	None

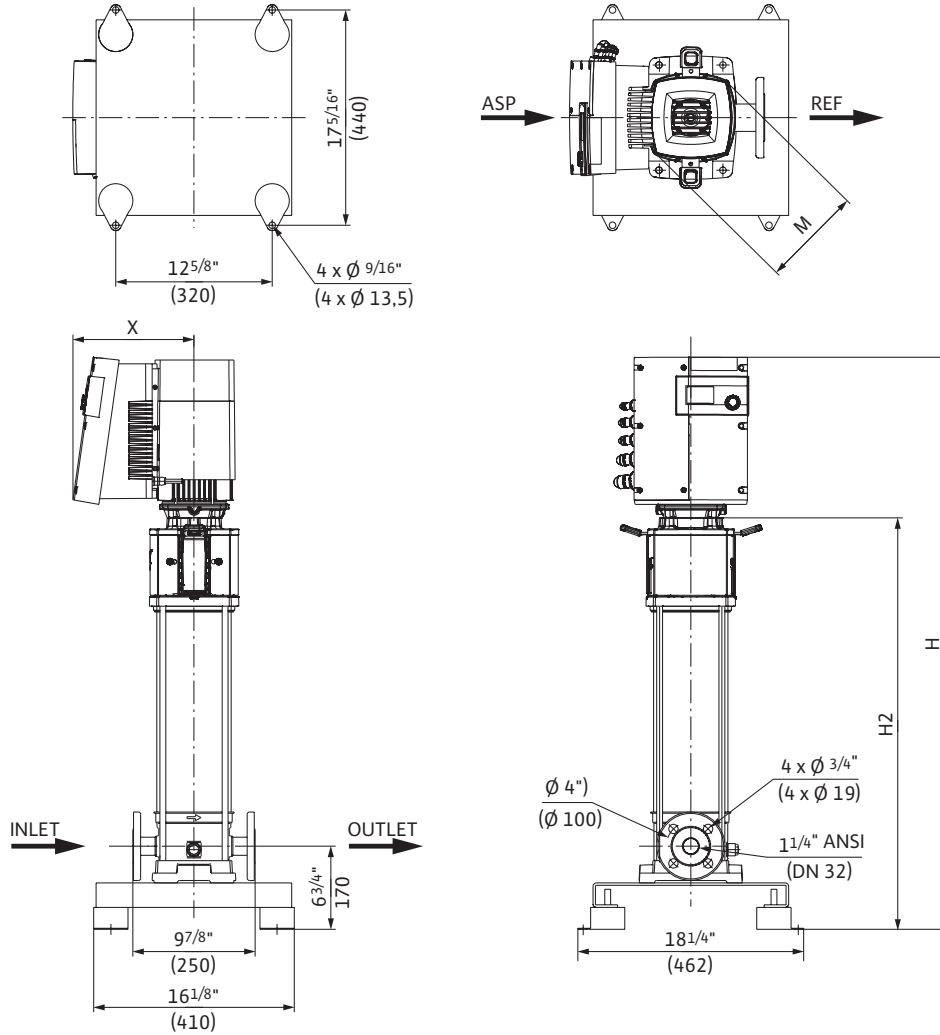
Applications	
<ul style="list-style-type: none"> • Water Supply • Boiler Feed • Pressure washing 	<ul style="list-style-type: none"> • Pressure Boosting • Cooling Systems • Irrigation

Submittal Data Sheet

High-Efficiency Multistage Pumps



Helix EXCEL 20-05 Dimensions & Weights



Dimensions and Weights

Model	Dimensions - Inches (mm)				Weight lbs (kg)
	H	H2	ØM	X	
Helix EXCEL 20-05	35 ^{3/16}	22 ^{5/16}	8 ^{3/8}	9 ^{3/4}	108.0
	(894)	(566)	(206)	(248)	(49)

EC Motor Data (Single Motor Operation)

Model	P ₂ Rated	Phase	Voltage	FLA	Efficiency
	hp	[~]	[V]	[A]	η _m 100%
Helix EXCEL 20-05	1.5	3	460 (±10%)	1.76	92.0

