

Submittal Data Sheet

High-Efficiency Multistage Pumps

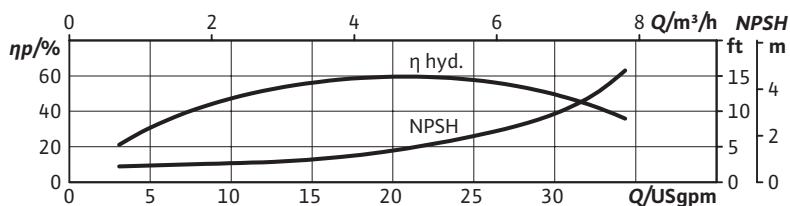
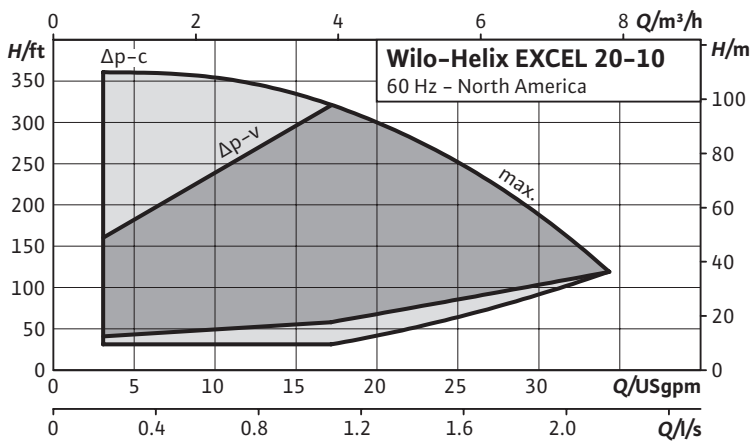
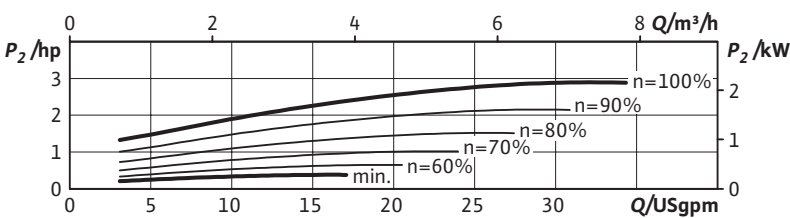
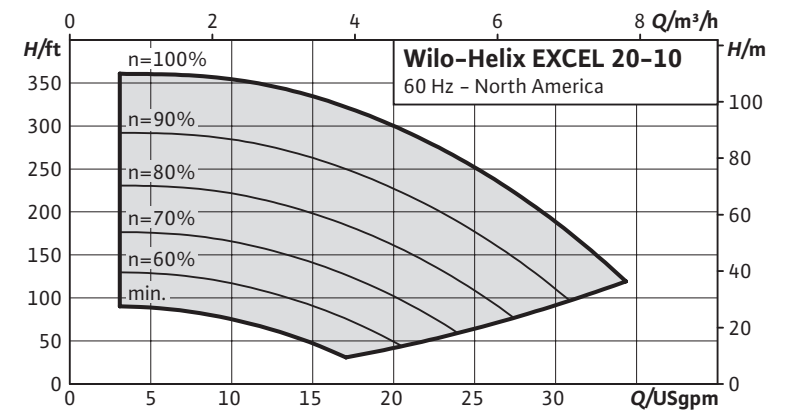


Helix EXCEL 20-10



Project:	
Engineer:	
Contractor:	
Submitted By:	Date:
Approved By:	Date:

Tag #	Model #	Flow	Head	Volute	Control Mode	HP	Phase	Voltage
	Helix EXCEL 20-10					3.0	3	460



Technical Data

Liquid Temp Range	-22°F to 284°F (-30°C to +120°C)
Fluid Compatibility	Water, up to 50/50 Water-Glycol
Max Operating Pressure	232.1/362.6 PSI
Mains Voltage	460V (±10%) 60Hz
Protection Class	IP 55, Class F Insulation
Ambient Temp Range	5°F to 104°F (-15°C to 40°C)
Ambient Humidity	< 90% without condensation

Materials of Construction

Pump Volute	AISI 304L*	AISI 316L
Mechanical Seal	EPDM	FKM
Impellers Stage Housings Diffusers	AISI 304L	AISI 316L
Shaft	AISI 304L / AISI 318 LN	AISI 316L / AISI 318LN
O-ring for mechanical seal	EPDM (FKM gasket on request)	EPDM (FKM gasket on request)
Sleeve under the mechanical seal	AISI 316L	AISI 316L

*304 pump volutes are NSF 61 certified

IR Module Selection

Select	Module
	BACnet / Dual Pump
	LONworks / Dual Pump
	MODBus
	None

Applications

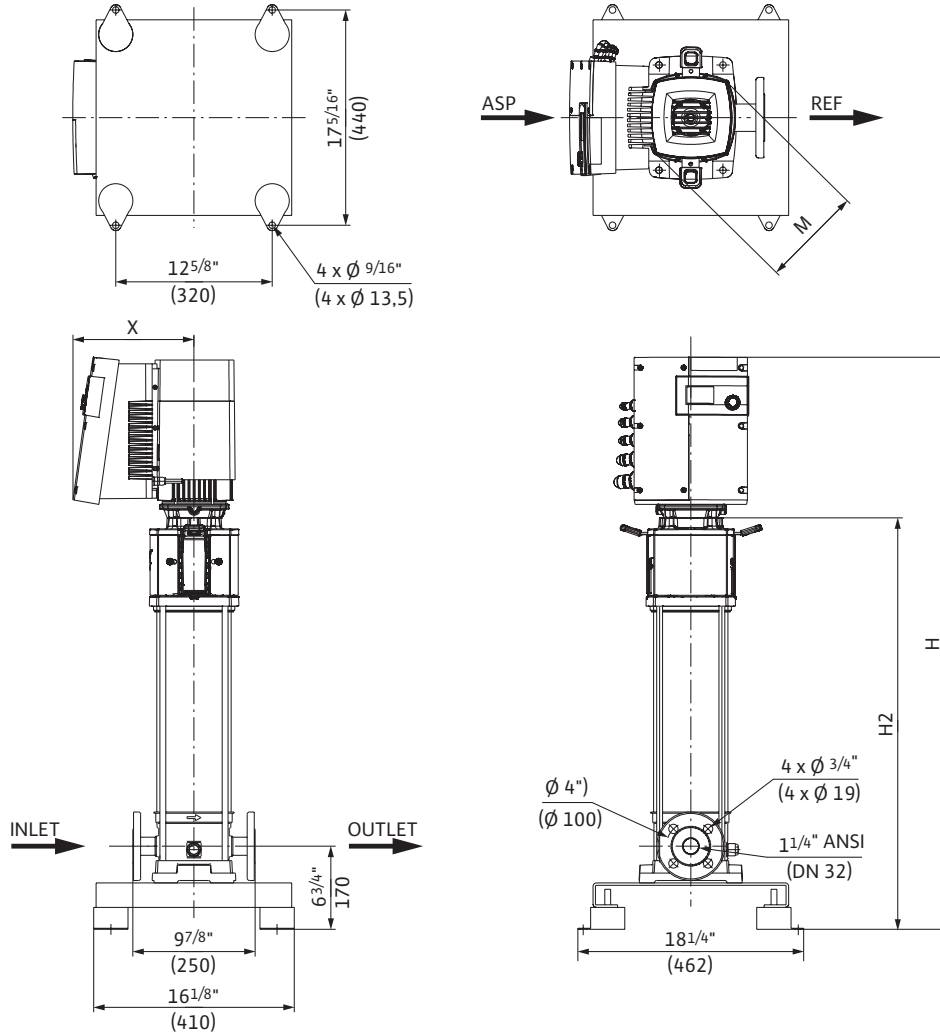
- Water Supply
- Pressure Boosting
- Boiler Feed
- Cooling Systems
- Pressure washing
- Irrigation

Submittal Data Sheet

High-Efficiency Multistage Pumps



Helix EXCEL 20-10 Dimensions & Weights

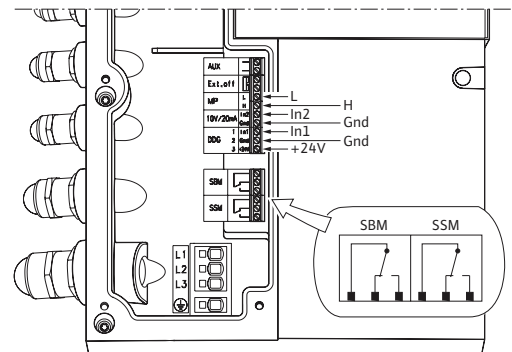


Dimensions and Weights

Model	Dimensions - Inches (mm)				Weight lbs (kg)
	H	H2	ØM	X	
Helix EXCEL 20-10	$40\frac{1}{2}"$	$27\frac{5}{8}"$	$8\frac{3}{8}"$	$9\frac{3}{4}"$	122.4
	(1029)	(701)	(206)	(248)	55.5

EC Motor Data (Single Motor Operation)

Model	P ₂ Rated	Phase	Voltage	FLA	Efficiency
	hp	[~]	[V]	[A]	η _m 100%
Helix EXCEL 20-10	3.0	3	460 (±10%)	4.4	93.0



WILO USA LLC

Tel: (888) 945-6872 Web: www.wilo-usa.com
 Fax: (888) 945-6873 Email: info@wilo-usa.com

WILO Canada Inc.

Tel: (866) 945-6236 Web: www.wilo-canada.com
 Fax: (403) 277-9456 Email: info@wilo-canada.com

WILO Mexico

Tel: +52 55 5586 3209 Web: www.wilo-mexico.com.mx
 Fax: +52 1 55 5413 4165 Email: info@wilo.com.mx