

# Submittal Data Sheet

## High-Efficiency Multistage Pumps

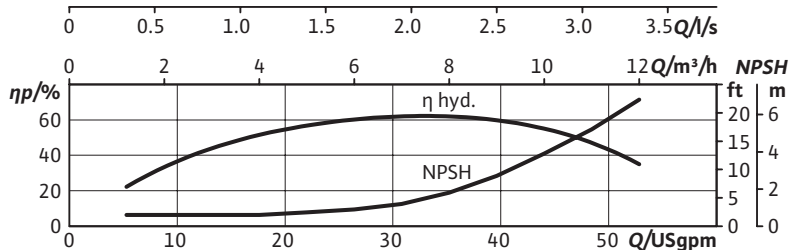
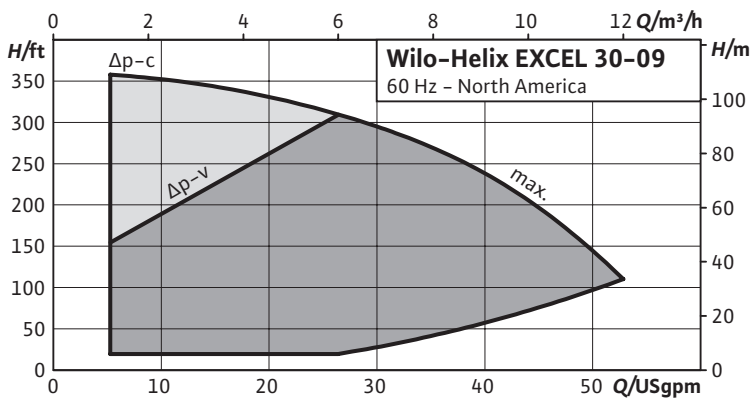
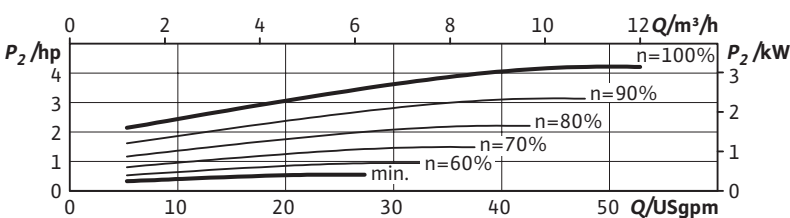
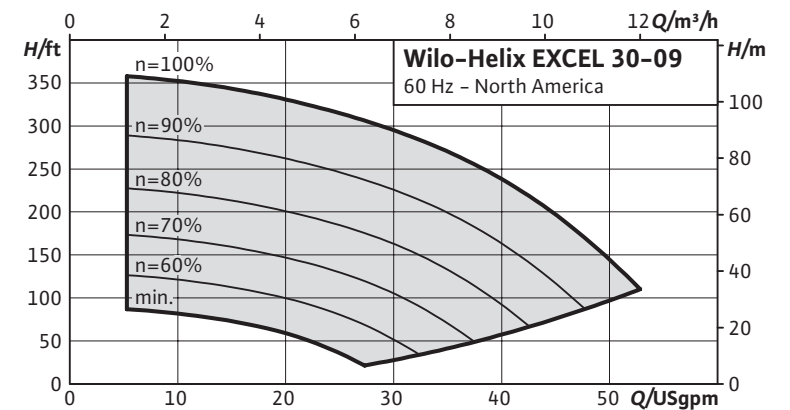


### Helix EXCEL 30-09



Project:	
Engineer:	
Contractor:	
Submitted By:	Date:
Approved By:	Date:

Tag #	Model #	Flow	Head	Volute	Control Mode	HP	Phase	Voltage
	Helix Excel 30-09					4.3	3	460



Technical Data	
Liquid Temp Range	-22°F to 284°F (-30°C to +120°C)
Fluid Compatibility	Water, up to 50/50 Water-Glycol
Max Operating Pressure	232.1/362.6 PSI
Mains Voltage	460V (±10%) 60Hz
Protection Class	IP 55, Class F Insulation
Ambient Temp Range	5°F to 104°F (-15°C to 40°C)
Ambient Humidity	< 90% without condensation

Materials of Construction		
Pump Volute	AISI 304L*	AISI 316L
Mechanical Seal	EPDM	FKM
Impellers Stage Housings Diffusers	AISI 304L	AISI 316L
Shaft	AISI 304L / AISI 318 LN	AISI 316L / AISI 318LN
O-ring for mechanical seal	EPDM (FKM gasket on request)	EPDM (FKM gasket on request)
Sleeve under the mechanical seal	AISI 316L	AISI 316L

\*304 pump volutes are NSF 61 certified

IR Module Selection	
Select	Module
	BACnet / Dual Pump
	LONworks / Dual Pump
	MODBus
	None

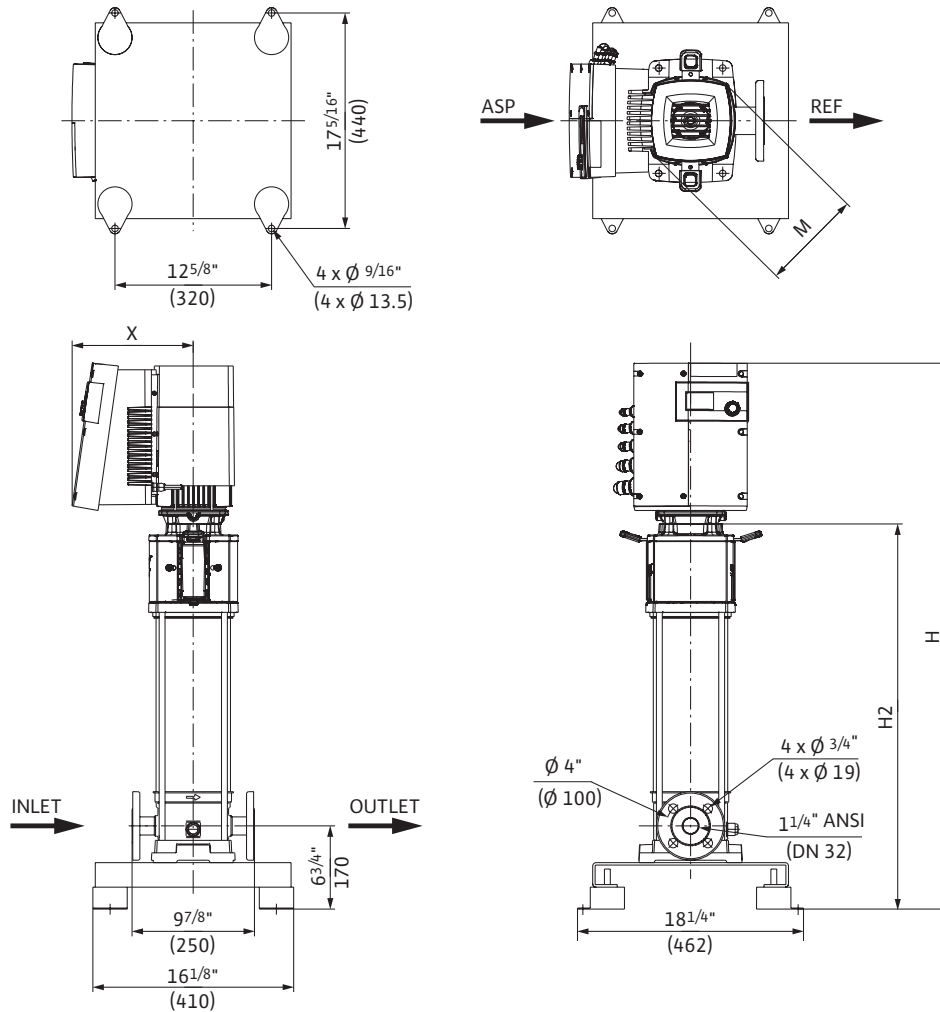
Applications	
• Water Supply	• Pressure Boosting
• Boiler Feed	• Cooling Systems
• Pressure washing	• Irrigation

# Submittal Data Sheet

## High-Efficiency Multistage Pumps



### Helix EXCEL 30-09 Dimensions & Weights

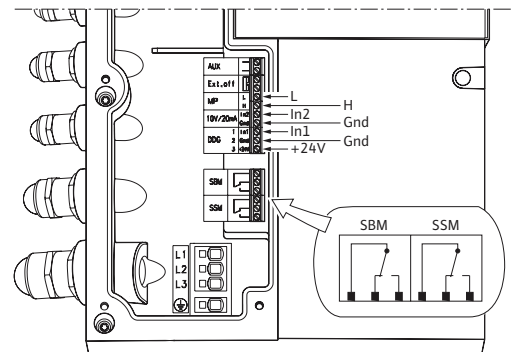


#### Dimensions and Weights

Model	Dimensions - Inches (mm)				Weight lbs (kg)
	H	H2	$\phi M$	X	
Helix EXCEL 30-09	44	$31\frac{3}{16}$	$8\frac{3}{8}$	$9\frac{3}{4}$	125.7
	(1117)	(789)	(206)	(248)	57

#### EC Motor Data (Single Motor Operation)

Model	$P_2$ Rated	Phase	Voltage	FLA	Efficiency
	hp	[~]	[V]	[A]	$\eta_m$ 100%
Helix EXCEL 30-09	4.3	3	460 ( $\pm 10\%$ )	6.0	93.00



WILO USA LLC

Tel: (888) 945-6872 Web: [www.wilo-usa.com](http://www.wilo-usa.com)  
 Fax: (888) 945-6873 Email: [info@wilo-usa.com](mailto:info@wilo-usa.com)

WILO Canada Inc.

Tel: (866) 945-6236 Web: [www.wilo-canada.com](http://www.wilo-canada.com)  
 Fax: (403) 277-9456 Email: [info@wilo-canada.com](mailto:info@wilo-canada.com)

WILO Mexico

Tel: +52 55 5586 3209 Web: [www.wilo-mexico.com.mx](http://www.wilo-mexico.com.mx)  
 Fax: +52 1 55 5413 4165 Email: [info@wilo.com.mx](mailto:info@wilo.com.mx)