

# Submittal Data Sheet

## High-Efficiency Multistage Pumps

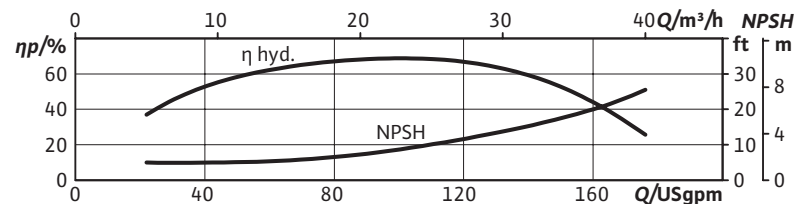
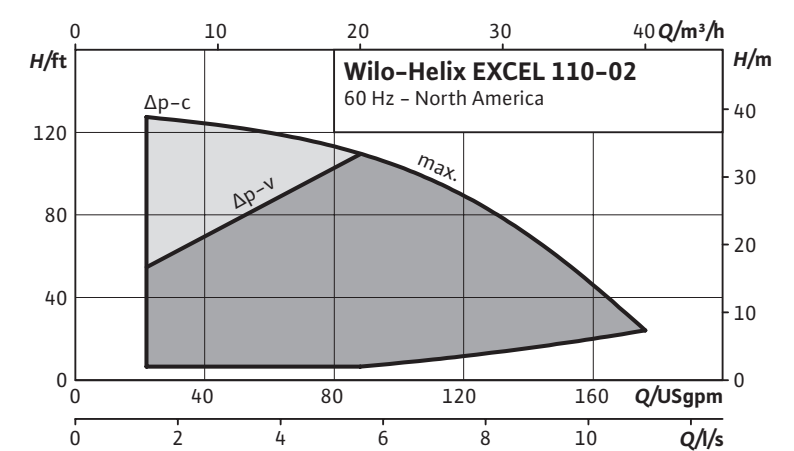
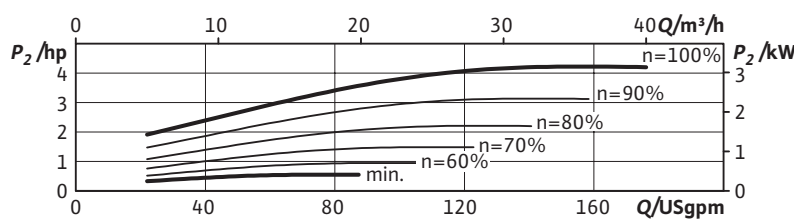
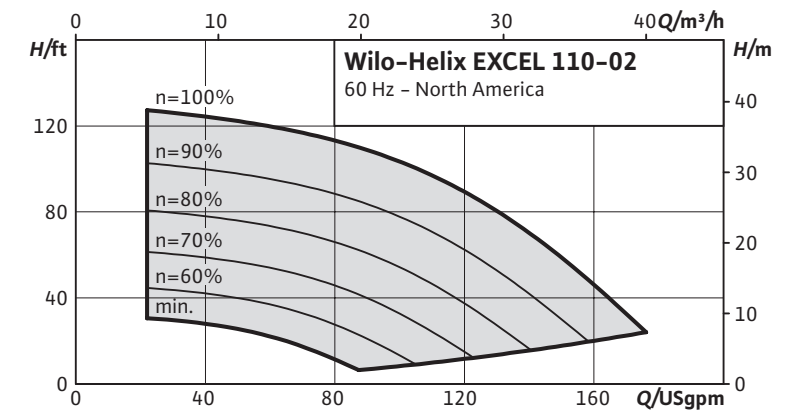


### Helix EXCEL 110-02



Project:	
Engineer:	
Contractor:	
Submitted By:	Date:
Approved By:	Date:

Tag #	Model #	Flow	Head	Volute	Control Mode	HP	Phase	Voltage
	Helix EXCEL 110-02					4.3	3	460



Technical Data	
Liquid Temp Range	-4 to 248 F (-20° C to 120° C)
Fluid Compatibility	Water, up to 50/50 Water-Glycol
Max Operating Pressure	232.1/362.6 PSI
Mains Voltage	460V (±10%) 60Hz
Protection Class	IP 55, Class F Insulation
Ambient Temp Range	5°F to 104°F (-15°C to 40°C)
Ambient Humidity	< 90% without condensation

Materials of Construction		
Pump Volute	Cataphoresis-coated grey cast iron EN-GJL 250	Stainless steel AISI316L; rotating flanges of cataphoretic coated grey cast iron EN-GJL 250
Mechanical Seal	EPDM	FKM
Impellers Stage Housings Diffusers	AISI 304L	AISI 316L
Shaft	AISI 304L / AISI 318 LN	AISI 316L / AISI 318LN
O-ring for mechanical seal	EPDM (FKM gasket on request)	EPDM (FKM gasket on request)
Sleeve under the mechanical seal	AISI 316L	AISI 316L

IR Module Selection	
Select	Module
	BACnet / Dual Pump
	LONworks / Dual Pump
	MODBus
	None

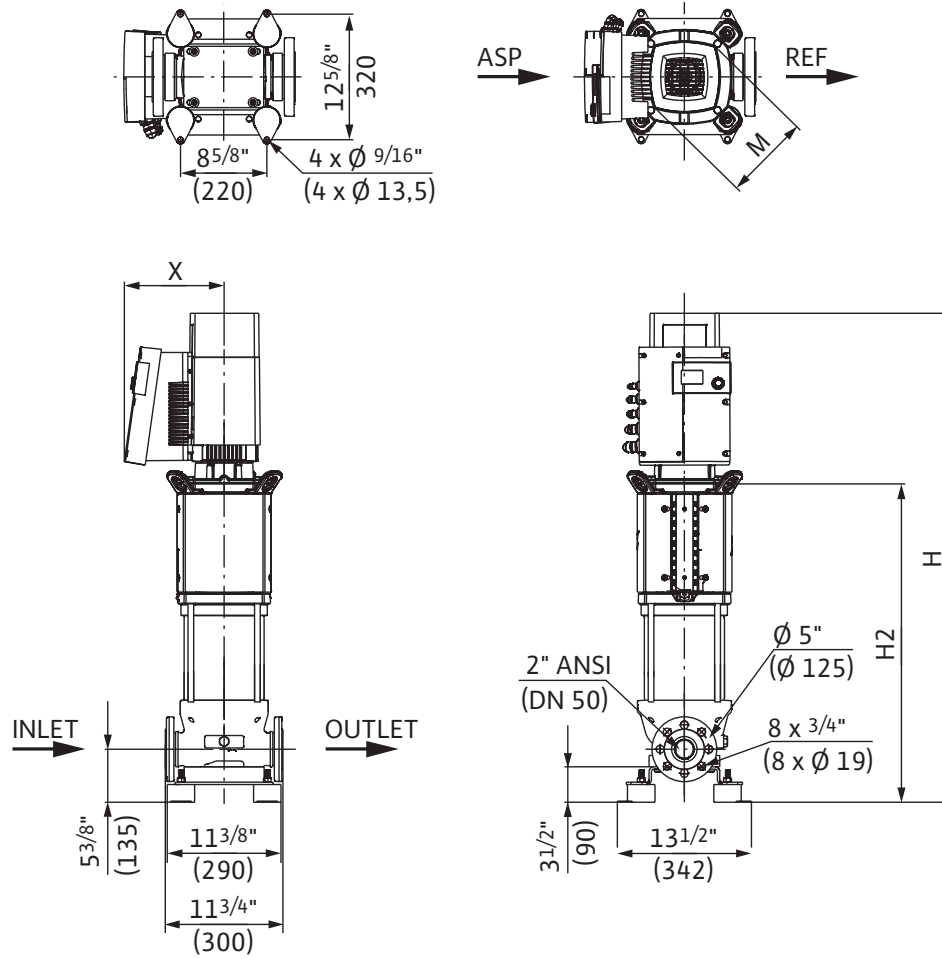
Applications	
• Water Supply	• Pressure Boosting
• Boiler Feed	• Cooling Systems
• Pressure washing	• Irrigation

# Submittal Data Sheet

## High-Efficiency Multistage Pumps



### Helix EXCEL 110-02 Dimensions & Weights

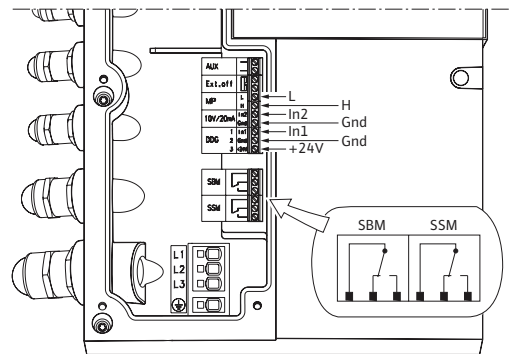


#### Dimensions and Weights

Model	Dimensions - Inches (mm)				Weight lbs (kg)
	H	H2	ØM	X	
Helix EXCEL 110-02	35 <sup>15/16</sup>	23 <sup>1/16</sup>	8 <sup>3/8</sup>	9 <sup>3/4</sup>	169.8
	(913)	(585)	(206)	(248)	(77)

#### EC Motor Data (Single Motor Operation)

Model	P <sub>2</sub> Rated	Phase	Voltage	FLA	Efficiency
	hp	[~]	[V]	[A]	η <sub>m</sub> 100%
Helix EXCEL 110-02	4.3	3	460 (±10%)	6	93.0



WILO USA LLC

Tel: (888) 945-6872 Web: [www.wilo-usa.com](http://www.wilo-usa.com)  
 Fax: (888) 945-6873 Email: [info@wilo-usa.com](mailto:info@wilo-usa.com)

WILO Canada Inc.

Tel: (866) 945-6236 Web: [www.wilo-canada.com](http://www.wilo-canada.com)  
 Fax: (403) 277-9456 Email: [info@wilo-canada.com](mailto:info@wilo-canada.com)

WILO Mexico

Tel: +52 55 5586 3209 Web: [www.wilo-mexico.com.mx](http://www.wilo-mexico.com.mx)  
 Fax: +52 1 55 5413 4165 Email: [info@wilo.com.mx](mailto:info@wilo.com.mx)