

Submittal Data Sheet

High-Efficiency Multistage Pumps

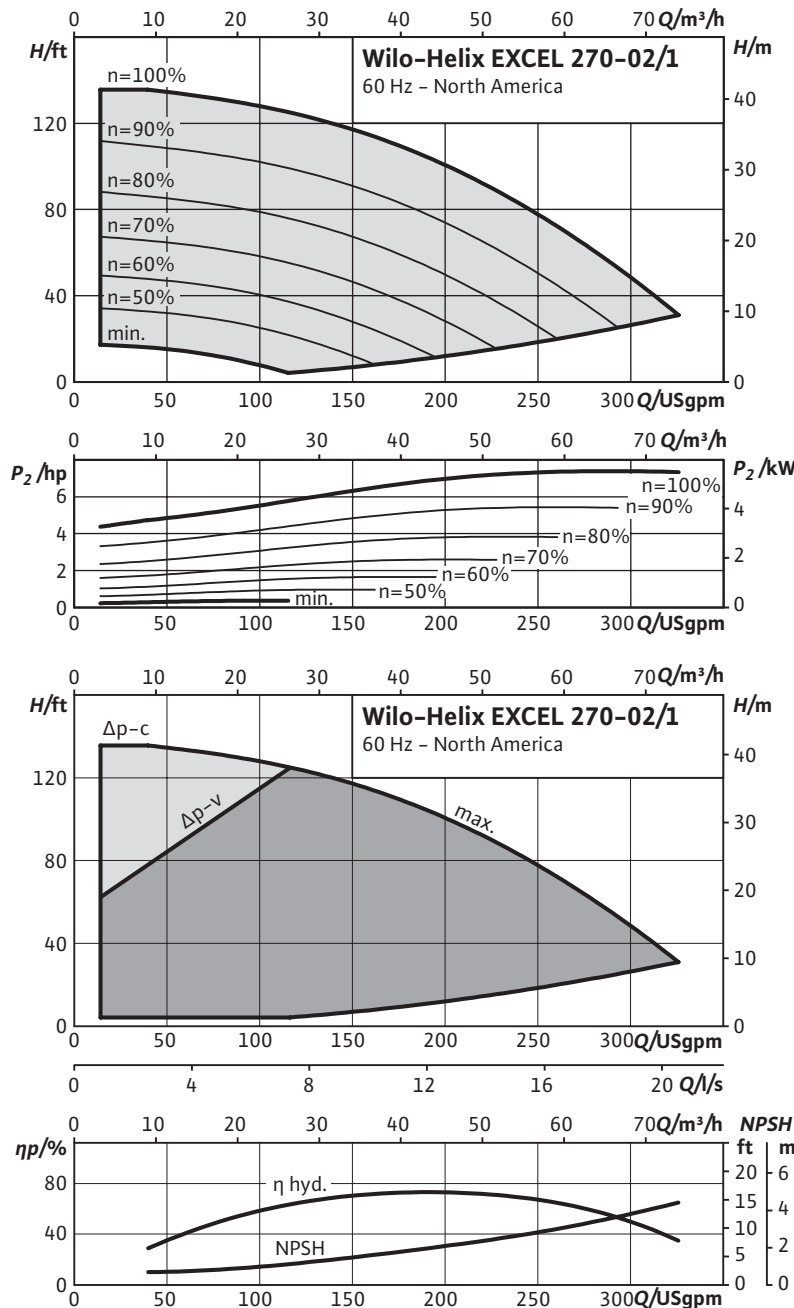


Helix EXCEL 270-02/1



Project:	
Engineer:	
Contractor:	
Submitted By:	Date:
Approved By:	Date:

Tag #	Model #	Flow	Head	Volute	Control Mode	HP	Phase	Voltage
	Helix EXCEL 270-02/1					7.4	3	460



Technical Data	
Liquid Temp Range	-4 to 248 F (-20° C to 120° C)
Fluid Compatibility	Water, up to 50/50 Water-Glycol
Max Operating Pressure	232.1/362.6 PSI
Mains Voltage	460V (±10%) 60Hz
Protection Class	IP 55, Class F Insulation
Ambient Temp Range	5°F to 104°F (-15°C to 40°C)
Ambient Humidity	< 90% without condensation

Materials of Construction		
Pump Volute	Cataphoresis-coated grey cast iron EN-GJL 250	Stainless steel AISI316L; rotating flanges of cataphoretic coated grey cast iron EN-GJL 250
Mechanical Seal	EPDM	FKM
Impellers Stage Housings Diffusers	AISI 304L	AISI 316L
Shaft	AISI 304L / AISI 318 LN	AISI 316L / AISI 318LN
O-ring for mechanical seal	EPDM (FKM gasket on request)	EPDM (FKM gasket on request)
Sleeve under the mechanical seal	AISI 316L	AISI 316L

IR Module Selection	
Select	Module
	BACnet /Dual Pump
	LONworks /Dual Pump
	MODBus
	None

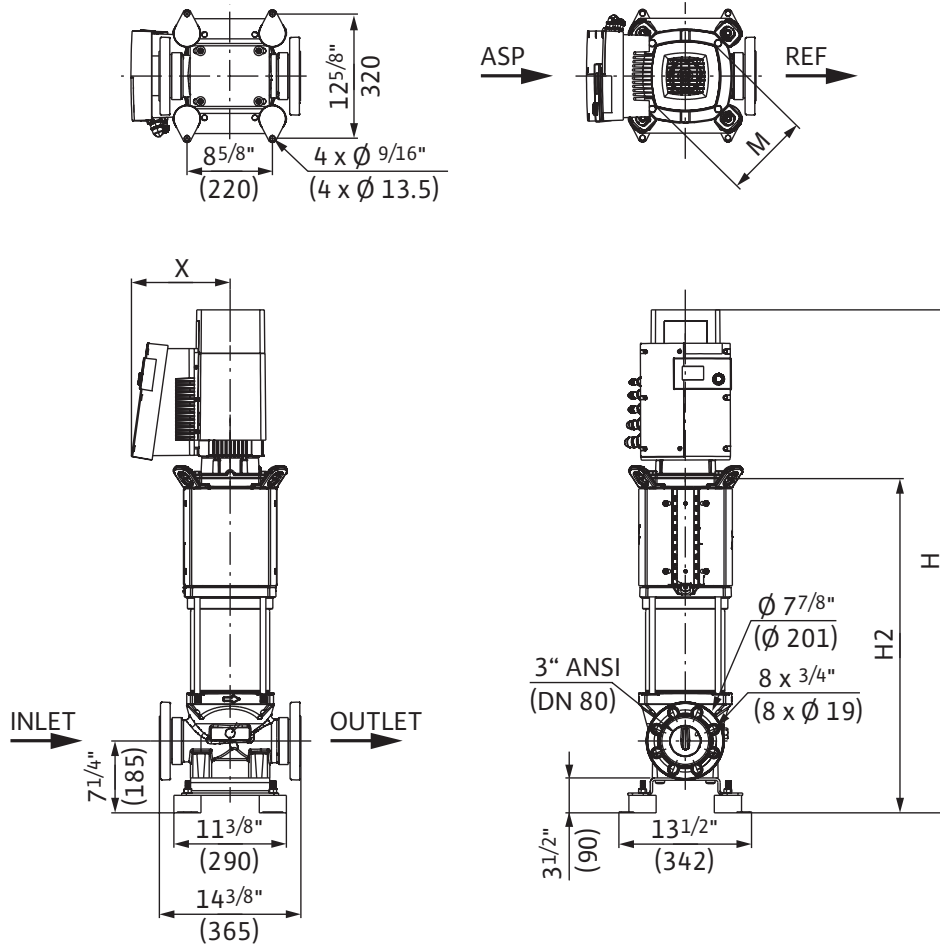
Applications	
• Water Supply	• Pressure Boosting
• Boiler Feed	• Cooling Systems
• Pressure washing	• Irrigation

Submittal Data Sheet

High-Efficiency Multistage Pumps



Helix EXCEL 270-02/1 Dimensions & Weights

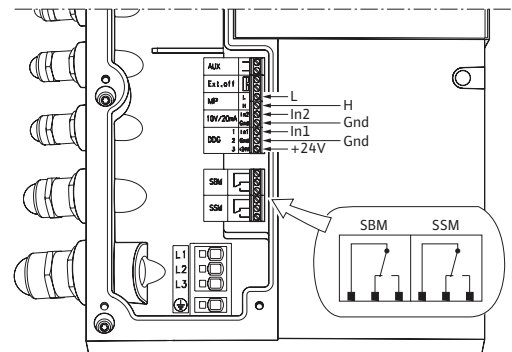


Dimensions and Weights

Model	Dimensions - Inches (mm)				Weight lbs (kg)
	H	H2	ϕM	X	
Helix EXCEL 270-02/1	$48\frac{7}{8}$	$32\frac{3}{4}$	$8\frac{3}{4}$	$10\frac{9}{16}$	266.8
	(1242)	(832)	(223)	(268)	(121)

EC Motor Data (Single Motor Operation)

Model	P_2 Rated	Phase	Voltage	FLA	Efficiency
	hp	[~]	[V]	[A]	η_m 100%
Helix EXCEL 270-02/1	7.4	3	460 ($\pm 10\%$)	8.2	95.8



WILO USA LLC

Tel: (888) 945-6872 Web: www.wilo-usa.com
 Fax: (888) 945-6873 Email: info@wilo-usa.com

WILO Canada Inc.

Tel: (866) 945-6236 Web: www.wilo-canada.com
 Fax: (403) 277-9456 Email: info@wilo-canada.com

WILO Mexico

Tel: +52 55 5586 3209 Web: www.wilo-mexico.com.mx
 Fax: +52 1 55 5413 4165 Email: info@wilo.com.mx