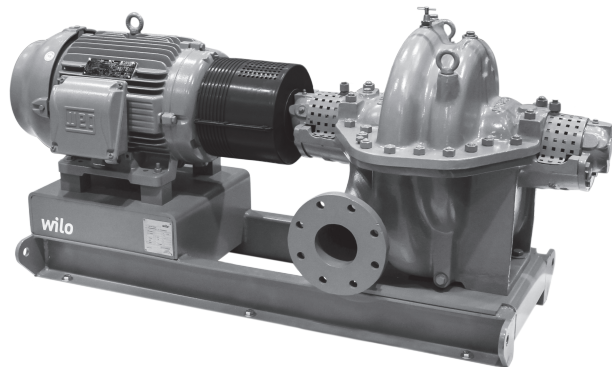


Pumps with axially split housing

Single pumps (heating, air-conditioning, cooling and industry)



Series description Wilo-SCP



Design

- Horizontal split case, single and two stage, base mounted centrifugal pump

Application

- Pumping clean or slightly contaminated water (max. 20 ppm) for circulation, transfer and pressure boosting purposes
- Applications include municipal water supply, irrigation, building services (HVAC), general industry, power stations, etc.

Scope of delivery

- Pump end only (bare shaft pump) or
- Pump, base, coupling and coupling guard or
- Complete assembly (pump, base, coupling, guard and motor)
- Installation and operating instructions

Type key

	SCP 4 x 3 x 8 HA
SCP	Split Case Pump
4	Suction (inlet) flange size (inch)
3	Discharge (outlet) flange size (inch)
8	Impeller diameter max
HA	Hydraulic type A
HB	Hydraulic type B
HS	Single stage hydraulic
DS	Two-stage hydraulic

Materials

- Pump housing: ASTM A48 Class 35 gray cast iron
- Impeller: ASTM B584 C83600 Leaded Tin Bronze
- Shaft: AISI 410 Stainless Steel

Description/design

- Horizontal split case, single or double suction, single or two stage base mounted centrifugal pump
- Mechanical sealed (gland packed version optional)
- 60 Hz, 4- and 6-pole motors, ODP standard, TEFC optional
- Optional spacer coupling

Options

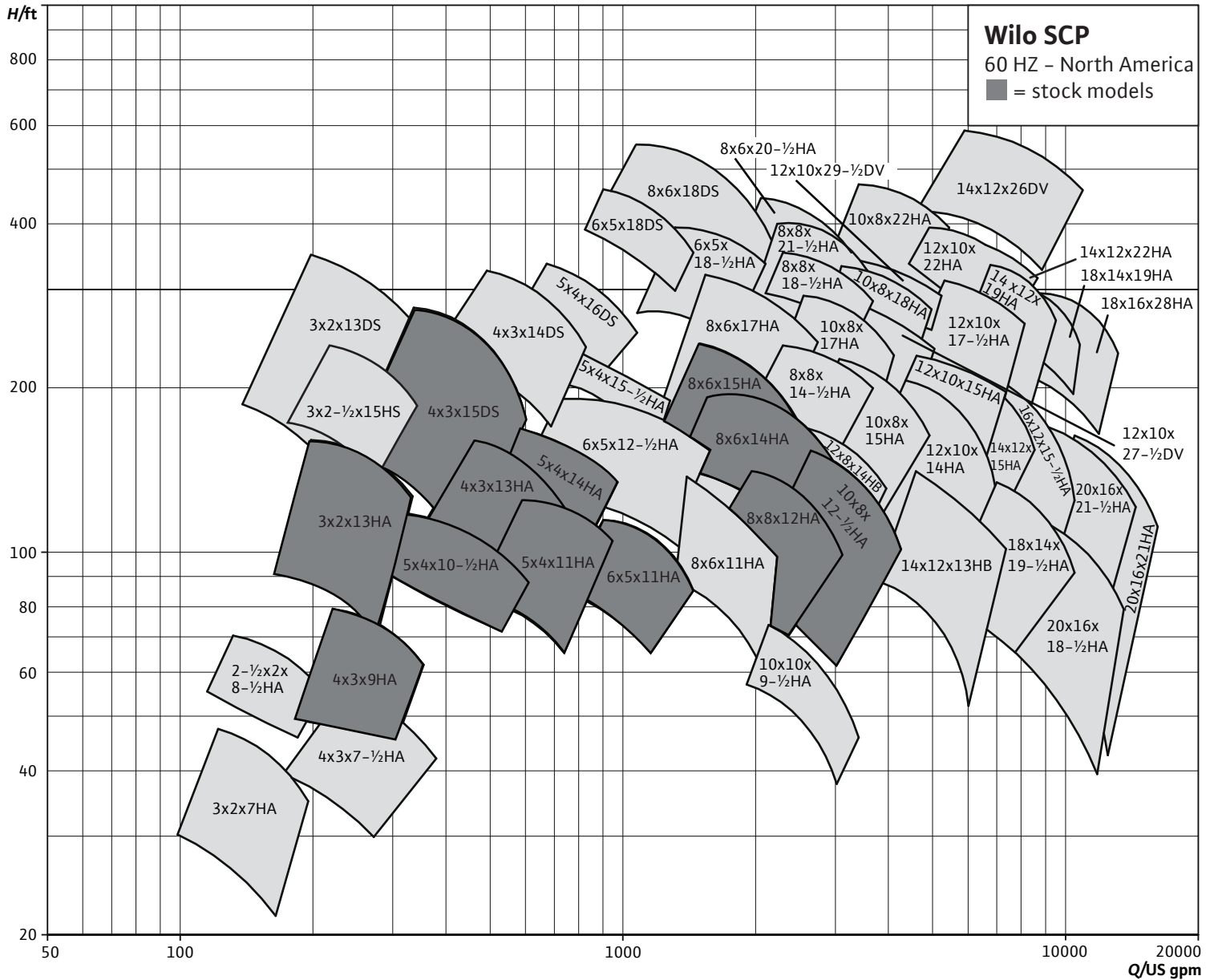
- Automatic pump control via WILO CC HVAC Controller
- Higher flows up to 15,400 USGPM as special version
- Special motor (6000V, 10 000 V etc.)
- Special construction
 - Impeller: Lead free bronze, grey cast iron, stainless steel
 - Housing: Grey cast iron, ductile iron, Ni-resist cast iron, stainless steel

Pumps with axially split housing

Single pumps (heating, air-conditioning, cooling and industry)

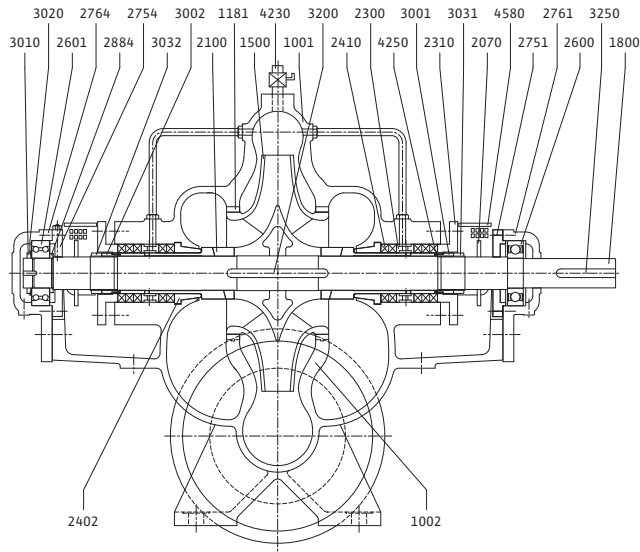


Series description Wilo-SCP



Series description Wilo-SCP

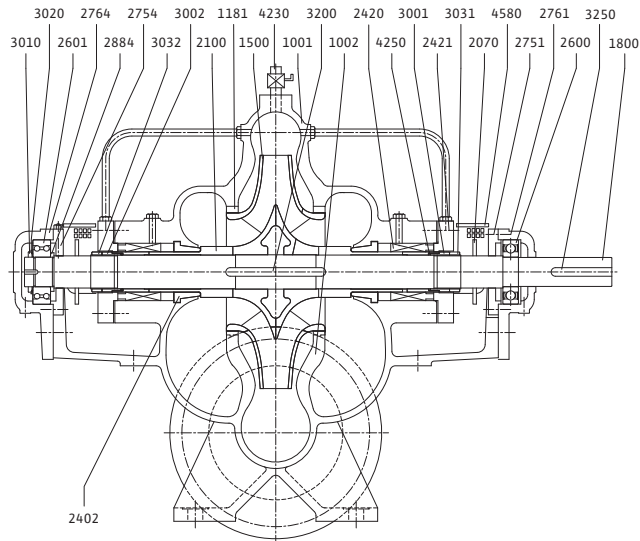
Section drawing: Single-stage pump with stuffing box packing



1001	Housing, upper part
1002	Lower housing section
1181	Neck ring
1500	Impeller
1800	Shaft
2070	Water deflector
2100	Shaft sleeve
2300	Lantern ring
2310	Stuffing box gland
2402	Stuffing box bush
2410	Stuffing box packing
2600	Grooved ball bearing
2601	Double grooved ball bearing
2751	Bearing housing, outside (drive side)
2754	Bearing housing, outside (non-drive side)
2761	Bearing housing (drive side)
2764	Bearing housing (non-drive side)
2884	Thrust collar
3001	Cowl nut (left hand)
3002	Cowl nut (right hand)
3010	Lock nut
3020	Locking washer
3031	Sleeve nut (left hand)
3032	Sleeve nut (right hand)
3200	Key for impeller
3250	Key for coupling
4230	Ventilation cock
4250	O-ring
4580	Protection guard

Series description Wilo-SCP

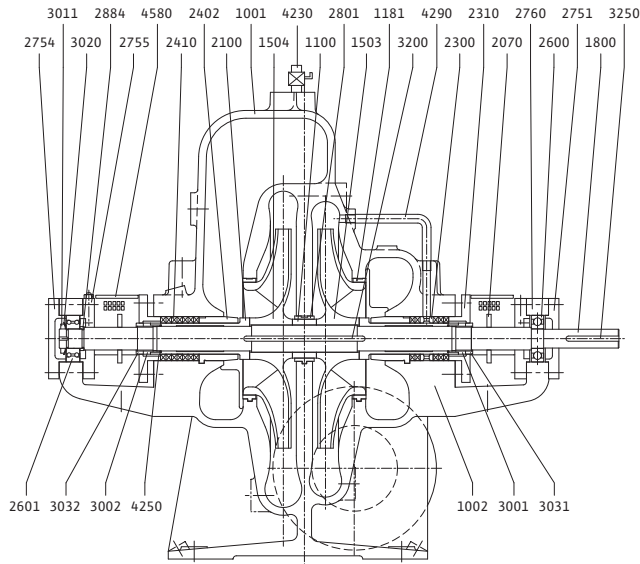
Section drawing: Single-stage pump with mechanical seal



1001	Housing, upper part
1002	Lower housing section
1181	Neck ring
1500	Impeller
1800	Shaft
2070	Water deflector
2100	Shaft sleeve
2402	Stuffing box bush
2420	Mechanical seal (unbalanced)
2421	Gland plate (mechanical seal cover)
2600	Grooved ball bearing
2601	Double grooved ball bearing
2751	Bearing housing, outside (drive side)
2754	Bearing housing, outside (non-drive side)
2761	Bearing housing (drive side)
2764	Bearing housing (non-drive side)
2884	Thrust collar
3001	Cowl nut (left hand)
3002	Cowl nut (right hand)
3010	Lock nut
3020	Locking washer
3031	Sleeve nut (left hand)
3032	Sleeve nut (right hand)
3200	Key for impeller
3250	Key for coupling
4230	Ventilation cock
4250	O-ring
4580	Protection guard

Series description Wilo-SCP

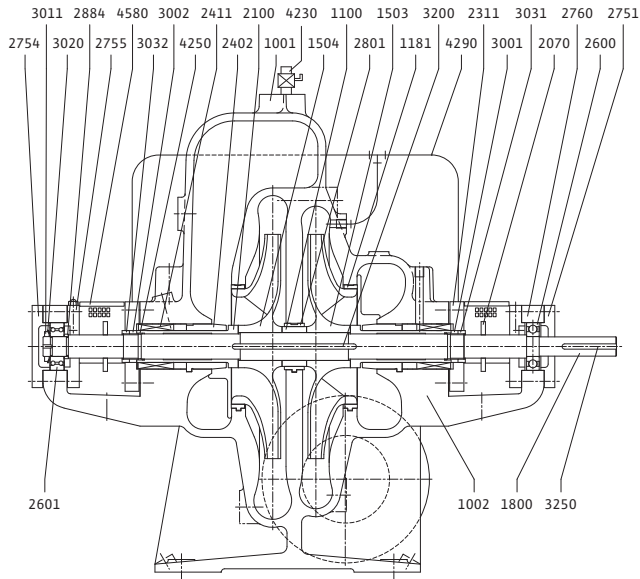
Section drawing: Two-stage pump with stuffing box



1001	Housing, upper part
1002	Lower housing section
1100	Innerstage collar
1181	Neck ring
1503	Impeller, first stage (right hand)
1504	Impeller, second stage (left hand)
1800	Shaft
2070	Water deflector
2100	Shaft sleeve
2300	Lantern ring
2310	Gland
2402	Stuffing box bush
2410	Stuffing box packing
2600	Grooved ball bearing
2601	Double grooved ball bearing
2751	Bearing housing, outside (drive side)
2754	Bearing housing, outside (non-drive side)
2755	Bearing housing, inside (drive and non-drive side)
2760	Bearing housing
2801	Intermediate bearing bush
2884	Thrust collar
3001	Cowl nut (left hand)
3002	Cowl nut (right hand)
3011	Lock nut
3020	Locking washer
3031	Sleeve nut (left hand)
3032	Sleeve nut (right hand)
3200	Key for impeller
3250	Key for coupling
4230	Ventilation cock
4250	O-ring
4290	Water sealing pipe
4580	Protection guard

Series description Wilo-SCP

Section drawing: Two-stage pump with mechanical seal



1001	Housing, upper part
1002	Lower housing section
1100	Innerstage collar
1181	Neck ring
1503	Impeller, first stage (right)
1504	Impeller, second stage (left)
1800	Shaft
2070	Water deflector
2100	Shaft sleeve
2311	Gland plate
2402	Stuffing box bush
2411	Mechanical seal
2600	Grooved ball bearing
2601	Double grooved ball bearing
2751	Bearing housing, outside (drive side)
2754	Bearing housing, outside (non-drive side)
2755	Bearing housing, inside (drive and non-drive side)
2760	Bearing housing
2801	Intermediate bearing bush
2884	Thrust collar
3001	Cowl nut (left hand)
3002	Cowl nut (right hand)
3011	Lock nut
3020	Locking washer
3031	Sleeve nut (left hand)
3032	Sleeve nut (right hand)
3200	Key for impeller
3250	Key for coupling
4230	Ventilation cock
4250	O-ring
4290	Flushing pipe for mechanical seal
4580	Protection guard

Pumps with axially split housing

Single pumps (heating, air-conditioning, cooling and industry)



Technical data Wilo-SCP

	Wilo-SCP
Approved fluids (other fluids on request)	
Heating water	•
Cooling and cold water	•
Water-glycol mixtures (for 20–40 vol.% glycol and fluid temperature ≤ 104 F)	• (from 10 vol.% glycol and higher: performance check required)
Permitted field of application	
Fluid temperature – mechanical seal [°F]	18 – 250 (–8 to +120 °C)
Fluid temperature – stuffing box packing [°F]	18 – 220 (–8 to +105 °C)
Pipe connections	
Nominal connection diameters D_n	On suction side: 2½–20 (larger nominal diameters on request) on discharge side: 2–16 (larger nominal diameters on request)
Materials (American standard)	
Pump housing	A48 class 35
Pump housing (special version)	Ni-resist BS 3468 Gr 2/BS 2789 500.1
Impeller	BS 84 C83 600
Impeller (special version)	A48 class 35/BS 84 C83 600
Stationary wear rings	BS 84 C93 700
Pump shaft	A276 type 410
Pump shaft (special version)	BS 970 316 S16
Mechanical seal	Carbon/silicon carbide/EPDM (E1)
Other mechanical seals	Stuffing box packing
Materials (European standard)	
Pump housing	EN-GJL-250
Pump housing (special version)	Ni-resist cast iron GGL-NiCr202/X6CrNiMo1810
Impeller	G-CuSn5 ZnPb
Impeller (special version)	–
Stationary wear rings	G-CuPb10Sn
Pump shaft	X12cr13
Pump shaft (special version)	X5CrNiMo1810
Mechanical seal	Carbon/silicon carbide/EPDM (E1)
Other mechanical seals	Stuffing box packing
Motor/electronics	
NEMA standard motor	•
Protection class	ODP (optional TEFC)
Insulation class	•
PTC thermistor sensor	•

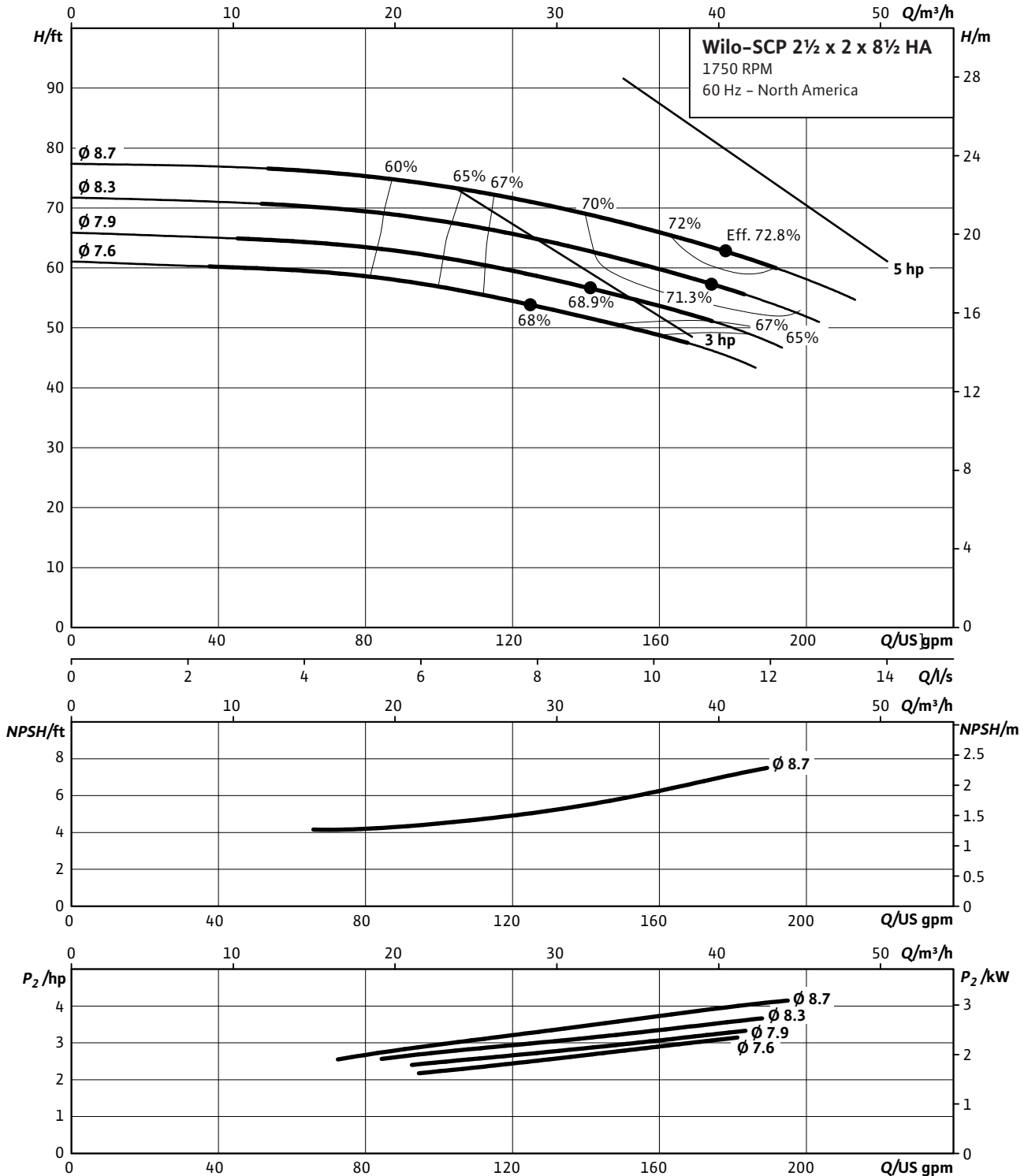
Pumps with axially split housing

Single pumps (heating, air-conditioning, cooling and industry)



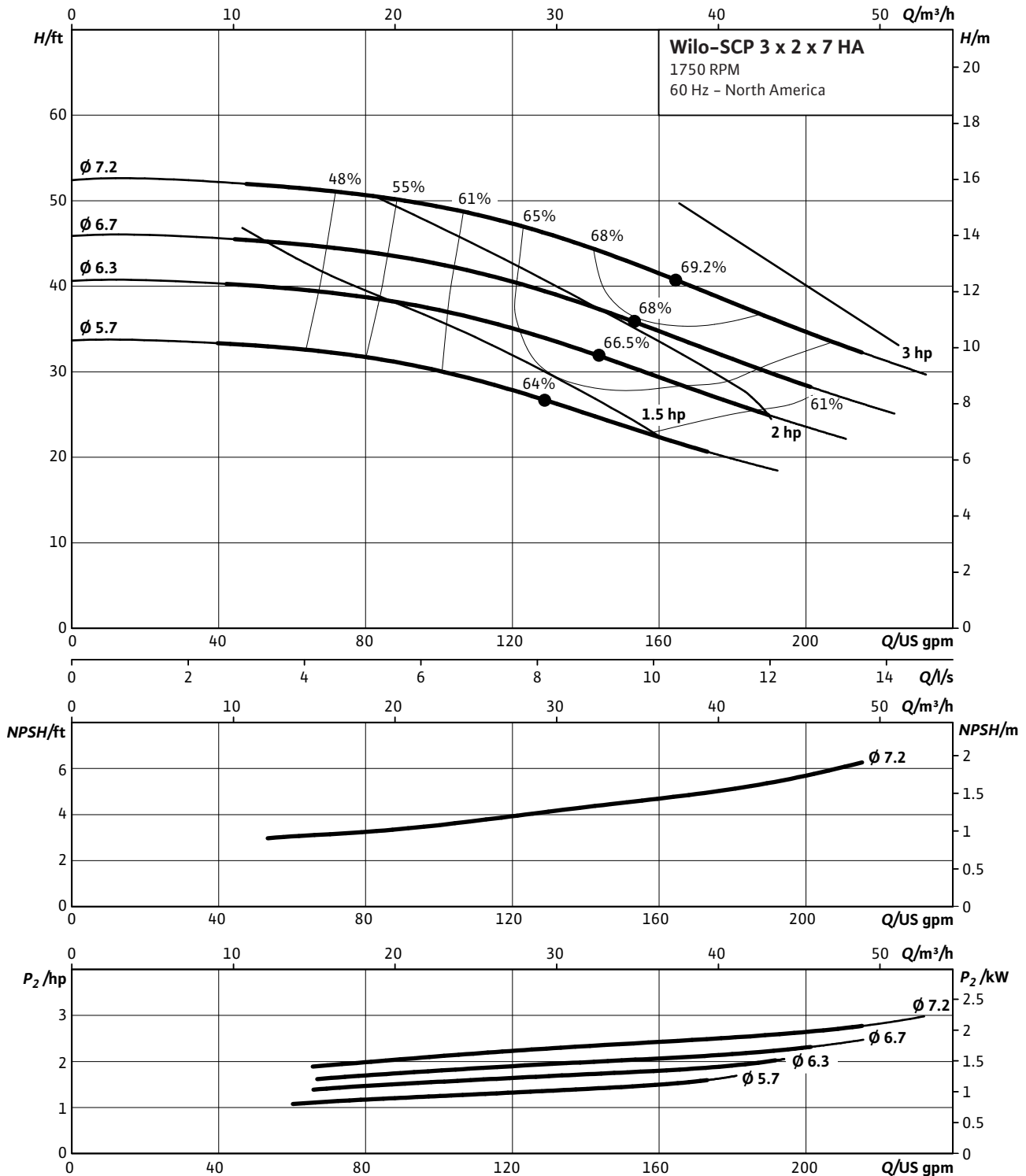
Pump curves Wilo-SCP

Wilo-SCP 2-1/2 x 2 x 8-1/2 HA



Pump curves Wilo-SCP

Wilo-SCP 3 x 2 x 7 HA



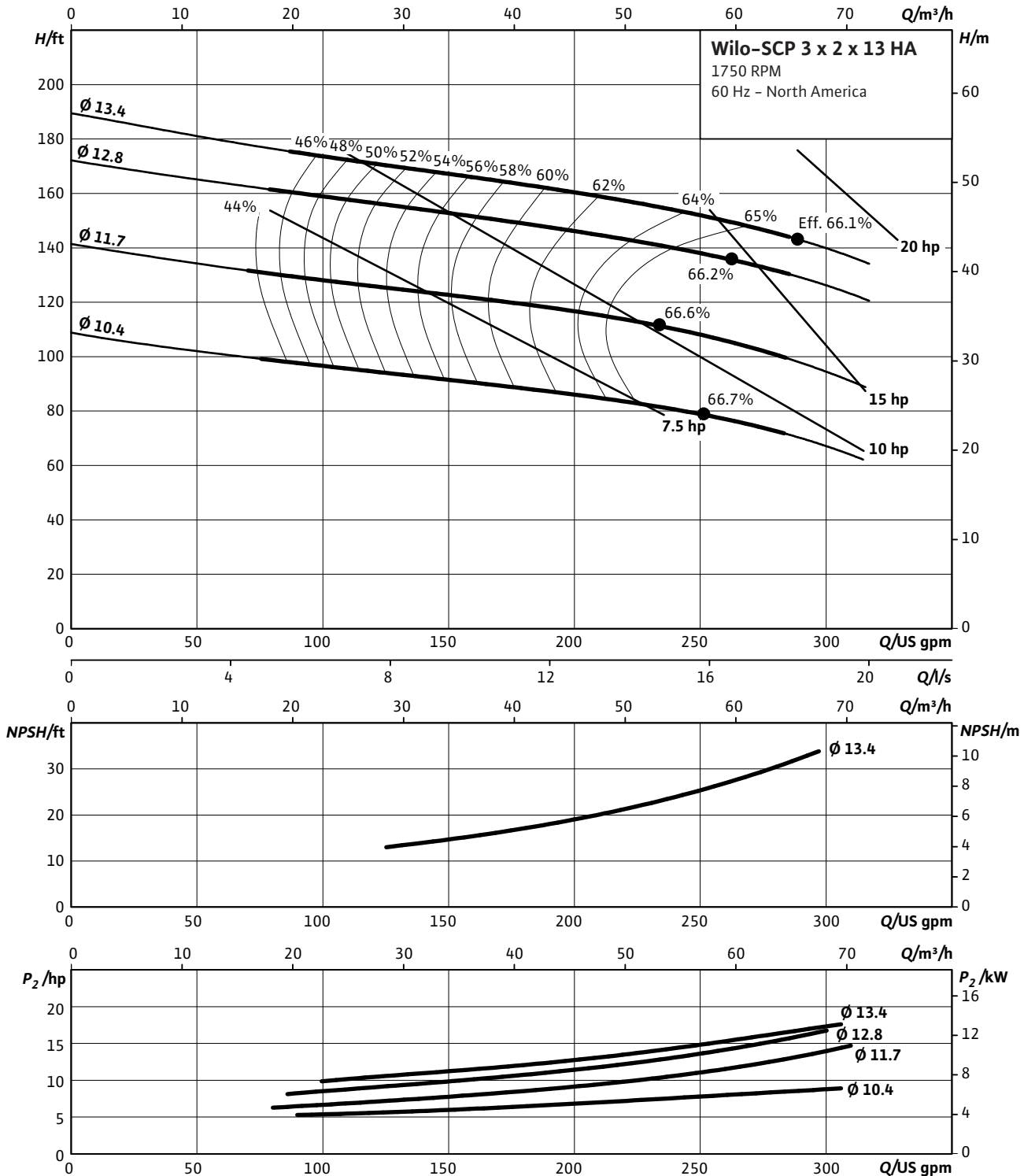
Pumps with axially split housing

Single pumps (heating, air-conditioning, cooling and industry)



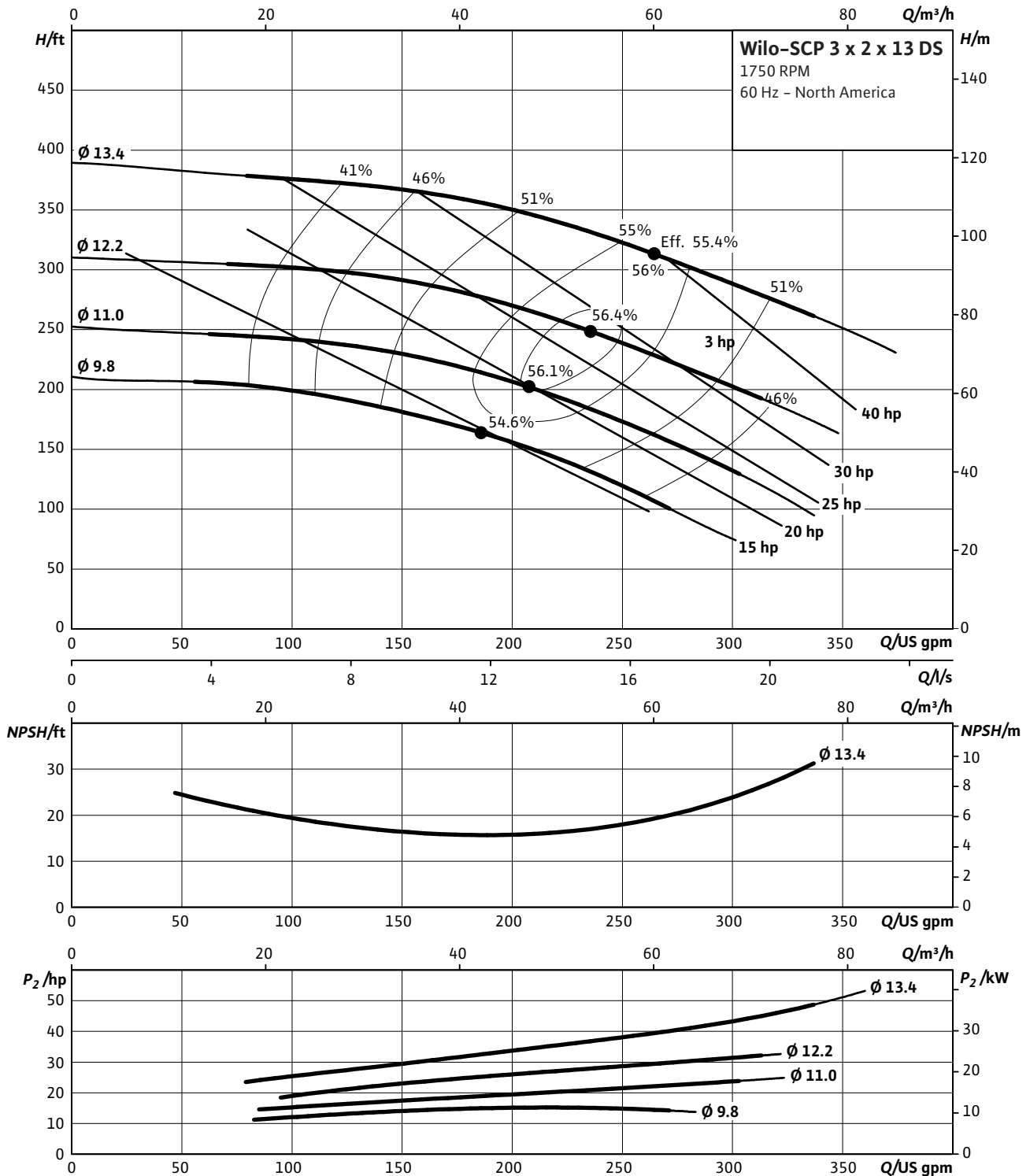
Pump curves Wilo-SCP

Wilo-SCP 3 x 2 x 13 HA



Pump curves Wilo-SCP

Wilo-SCP 3 x 2 x 13 DS



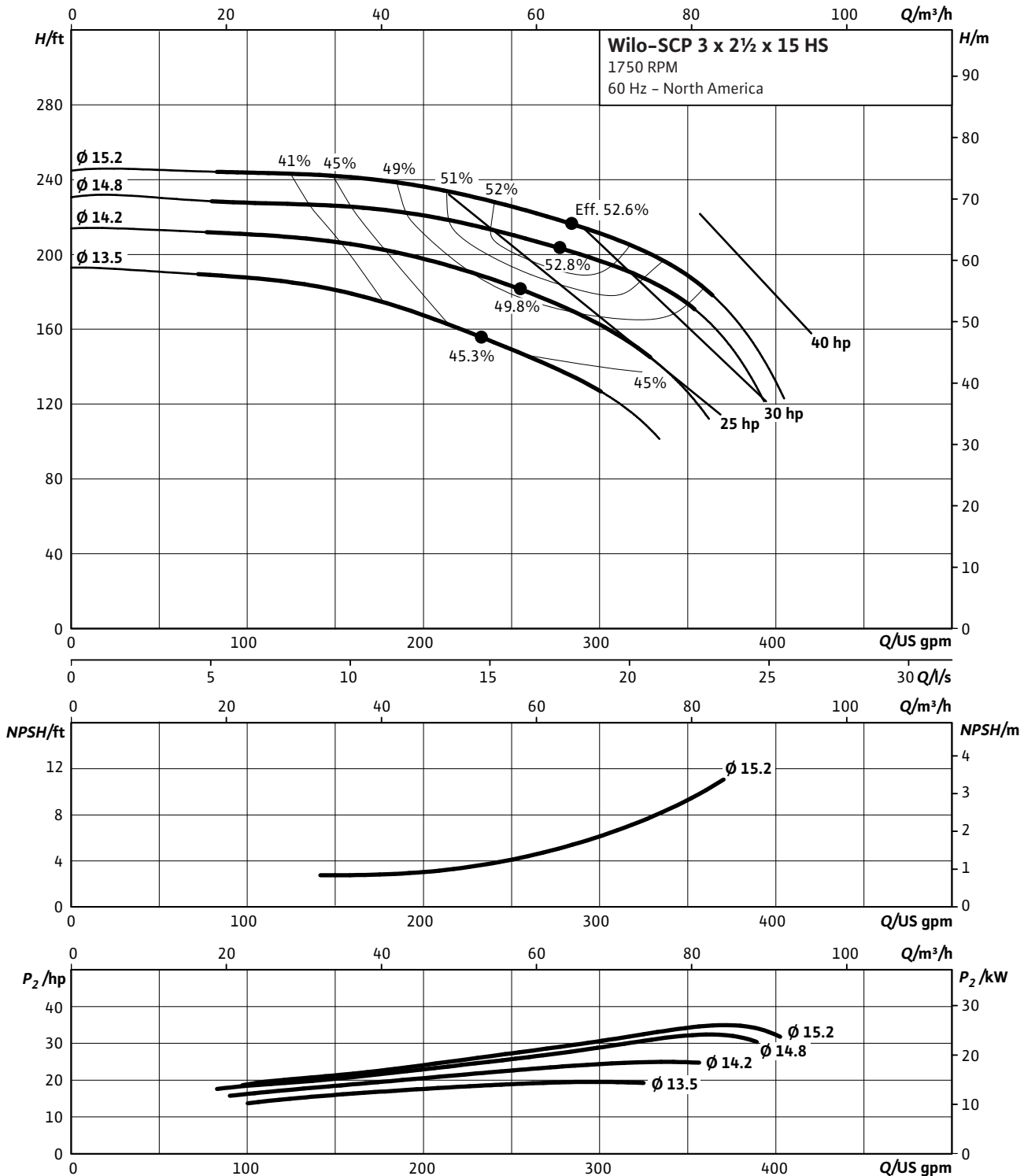
Pumps with axially split housing

Single pumps (heating, air-conditioning, cooling and industry)



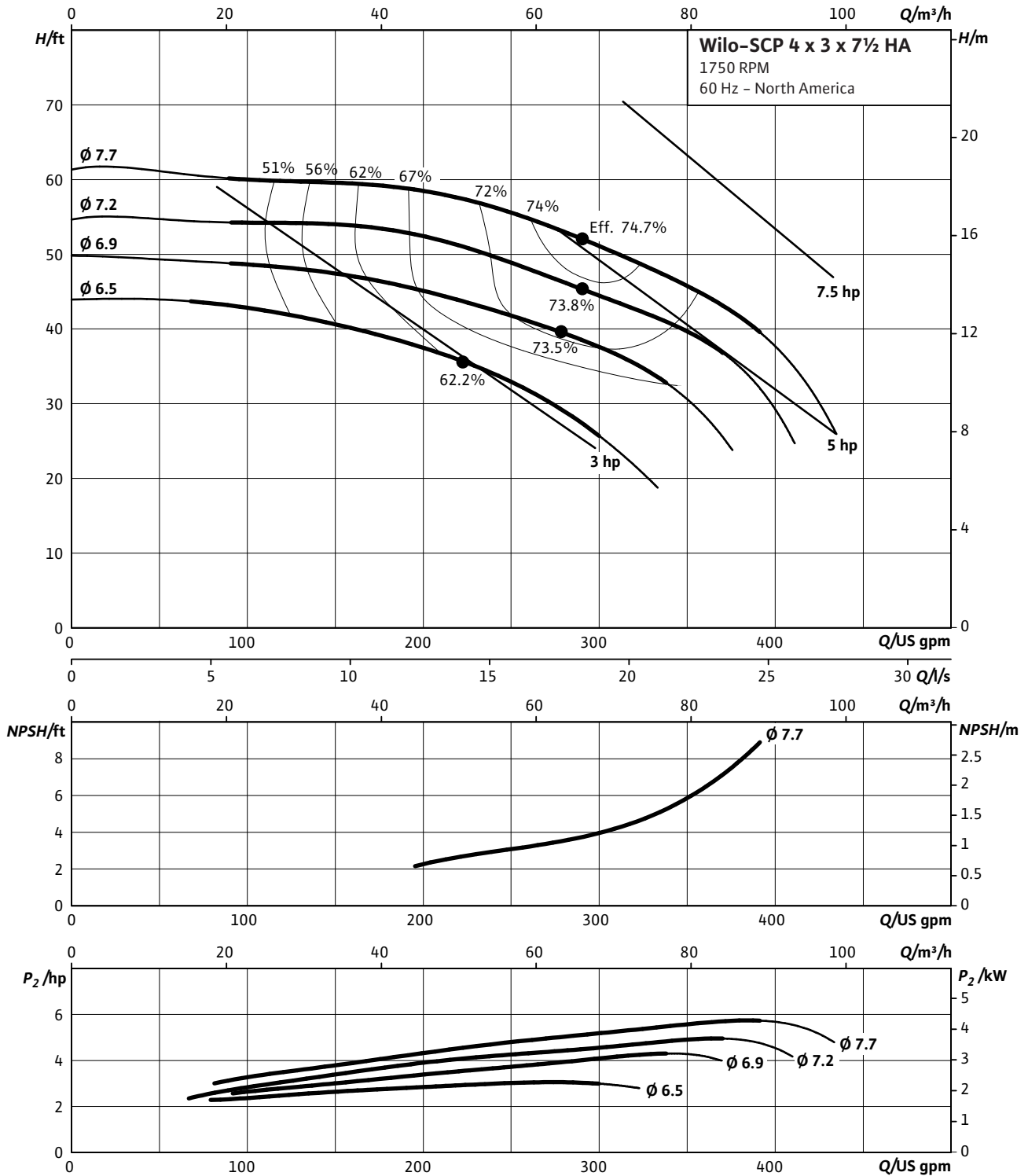
Pump curves Wilo-SCP

Wilo-SCP 3 x 2-1/2 x 15 HS



Pump curves Wilo-SCP

Wilo-SCP 4 x 3 x 7-1/2 HA



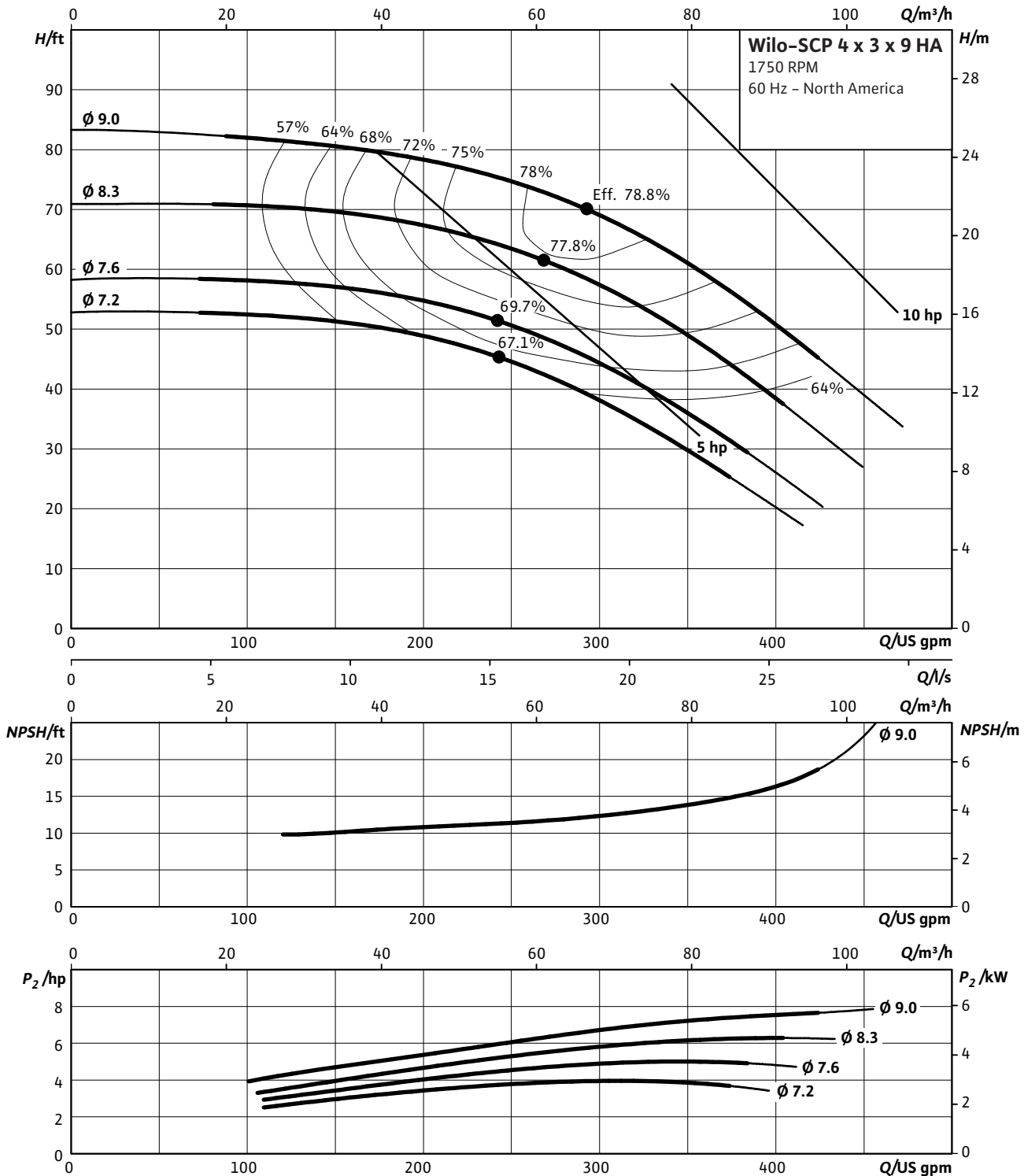
Pumps with axially split housing

Single pumps (heating, air-conditioning, cooling and industry)



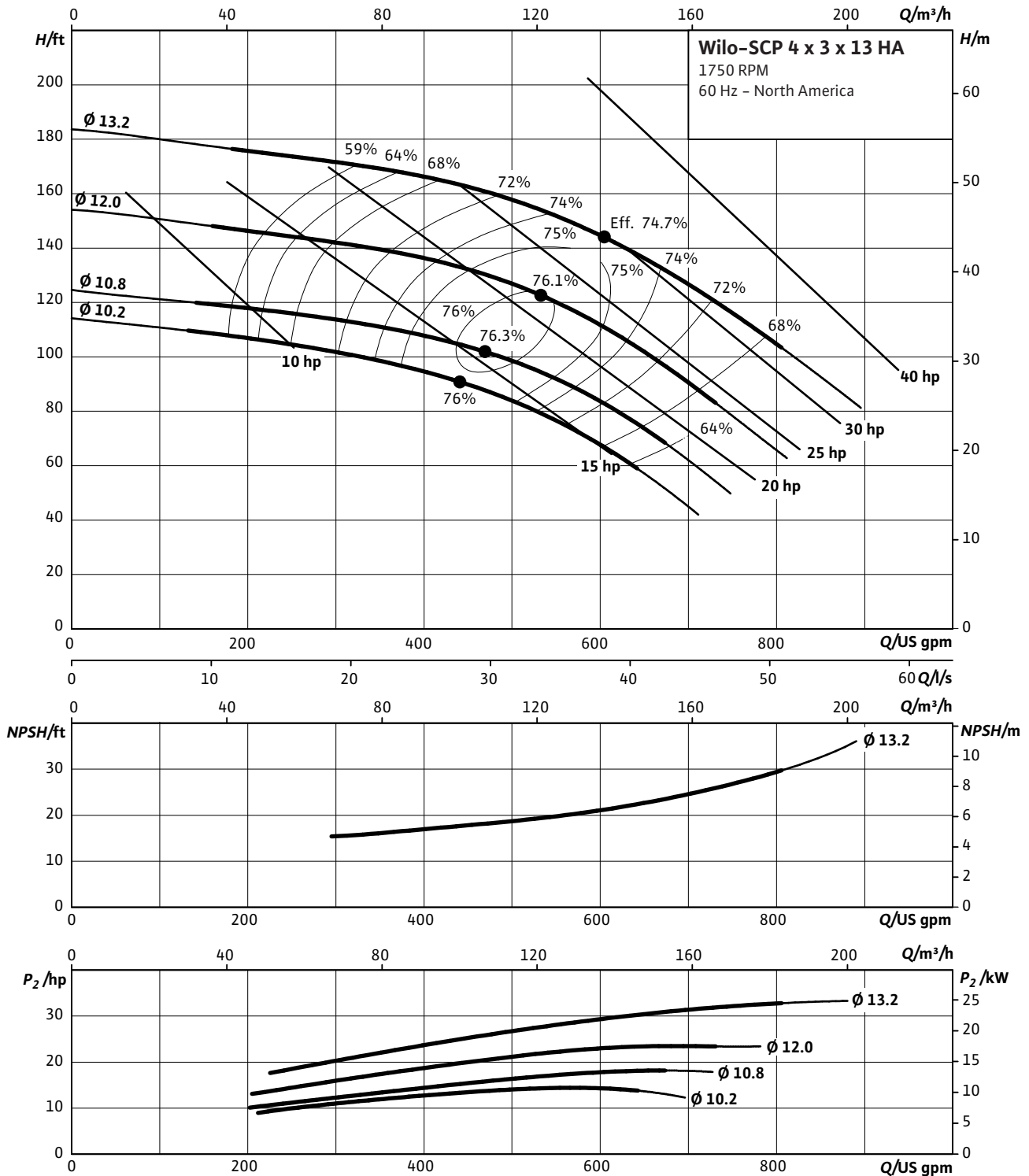
Pump curves Wilo-SCP

Wilo-SCP 4 x 3 x 9 HA



Pump curves Wilo-SCP

Wilo-SCP 4 x 3 x 13 HA



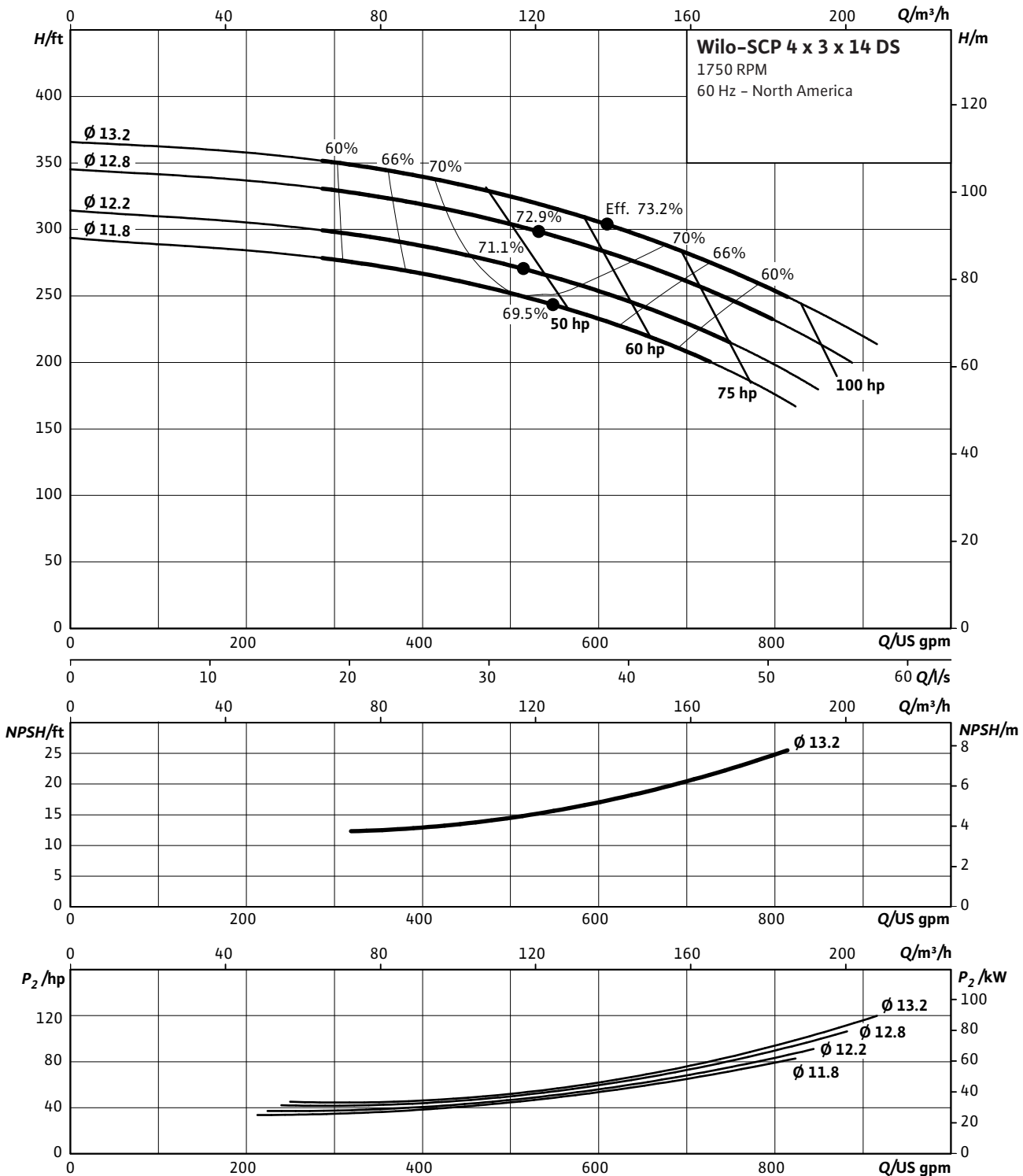
Pumps with axially split housing

Single pumps (heating, air-conditioning, cooling and industry)



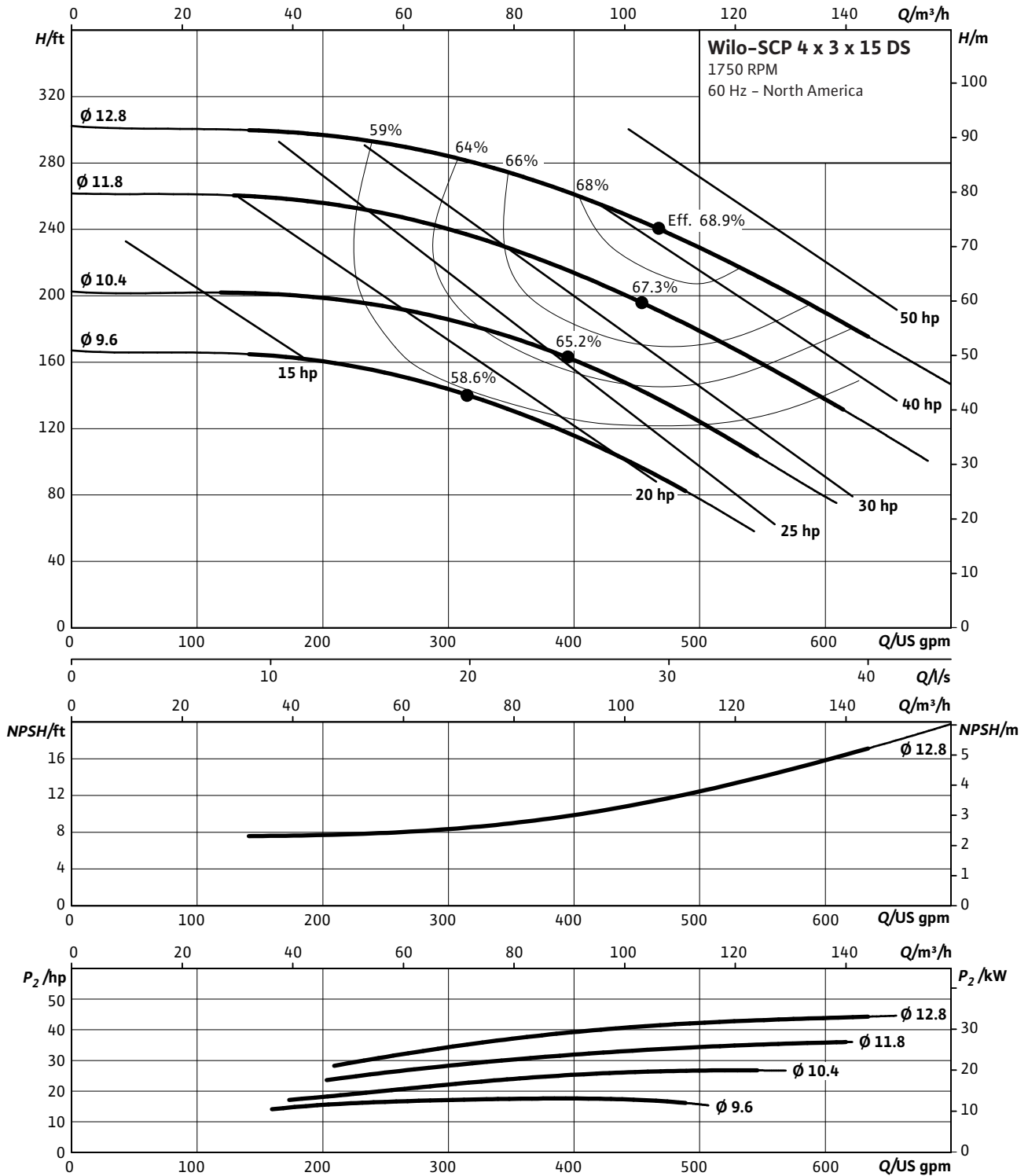
Pump curves Wilo-SCP

Wilo-SCP 4 x 3 x 14 DS



Pump curves Wilo-SCP

Wilo-SCP 4 x 3 x 15 DS



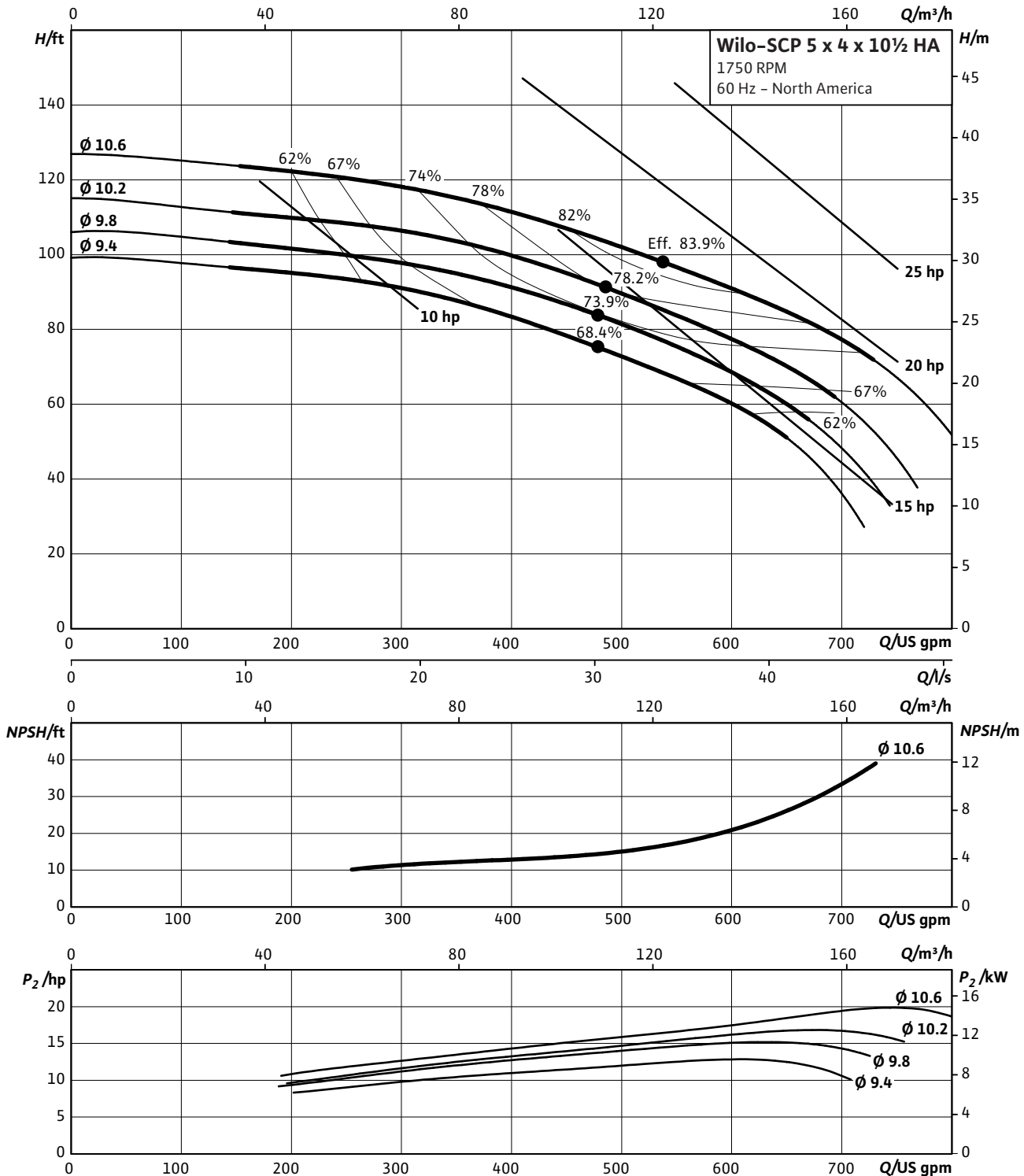
Pumps with axially split housing

Single pumps (heating, air-conditioning, cooling and industry)



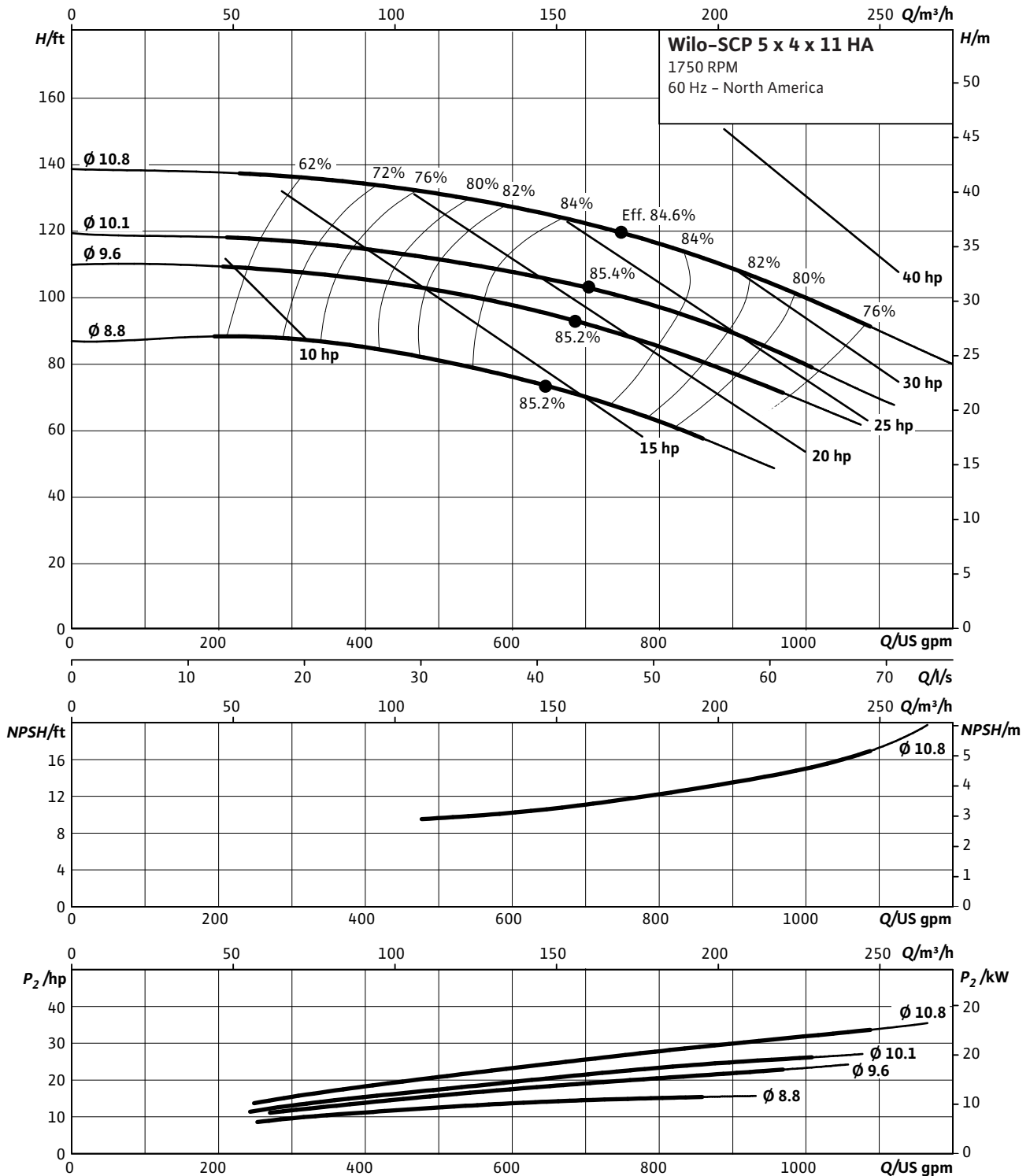
Pump curves Wilo-SCP

Wilo-SCP 5 x 4 x 10-1/2 HA



Pump curves Wilo-SCP

Wilo-SCP 5 x 4 x 11 HA



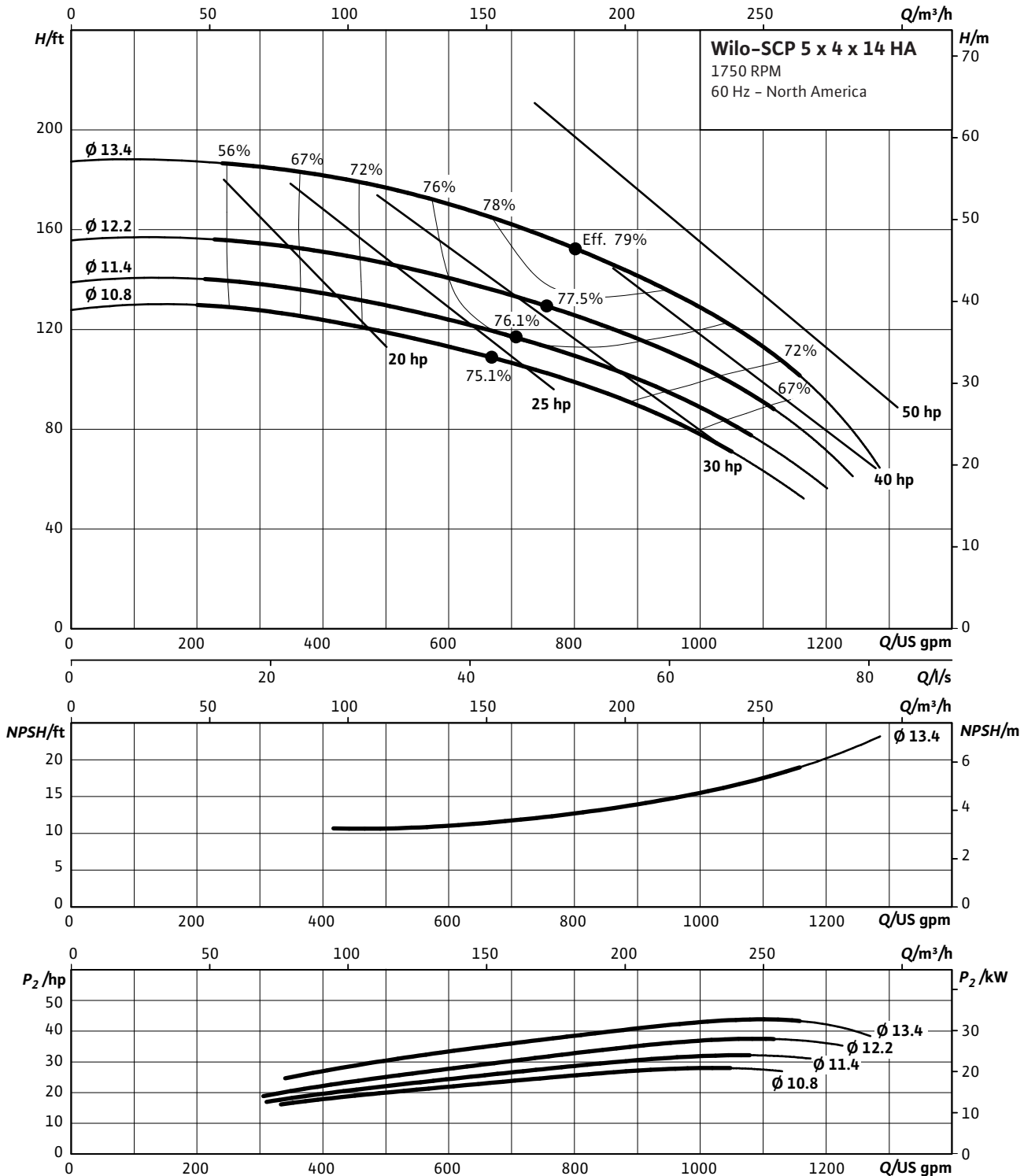
Pumps with axially split housing

Single pumps (heating, air-conditioning, cooling and industry)



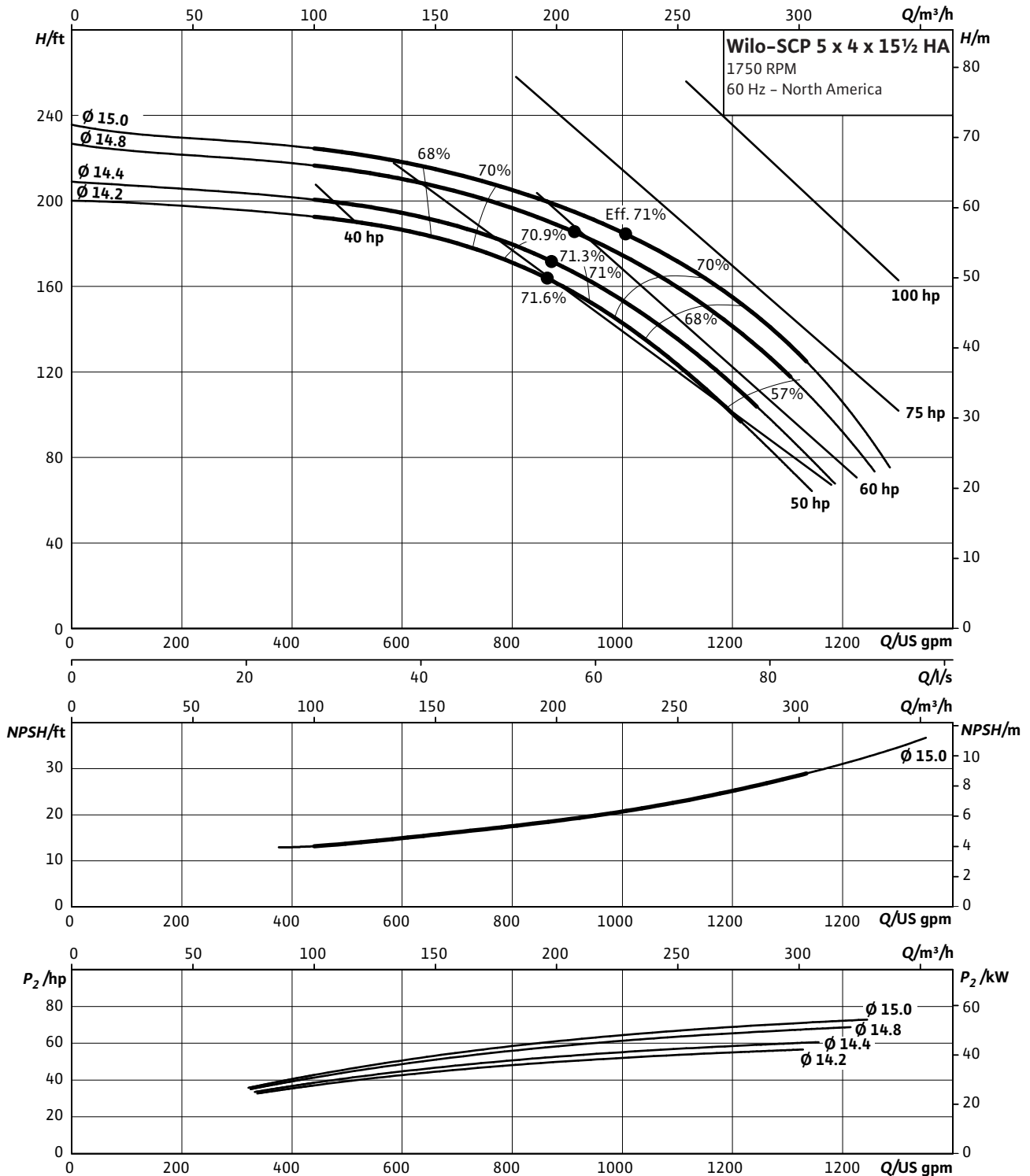
Pump curves Wilo-SCP

Wilo-SCP 5 x 4 x 14 HA



Pump curves Wilo-SCP

Wilo-SCP 5 x 4 x 15-1/2 HA



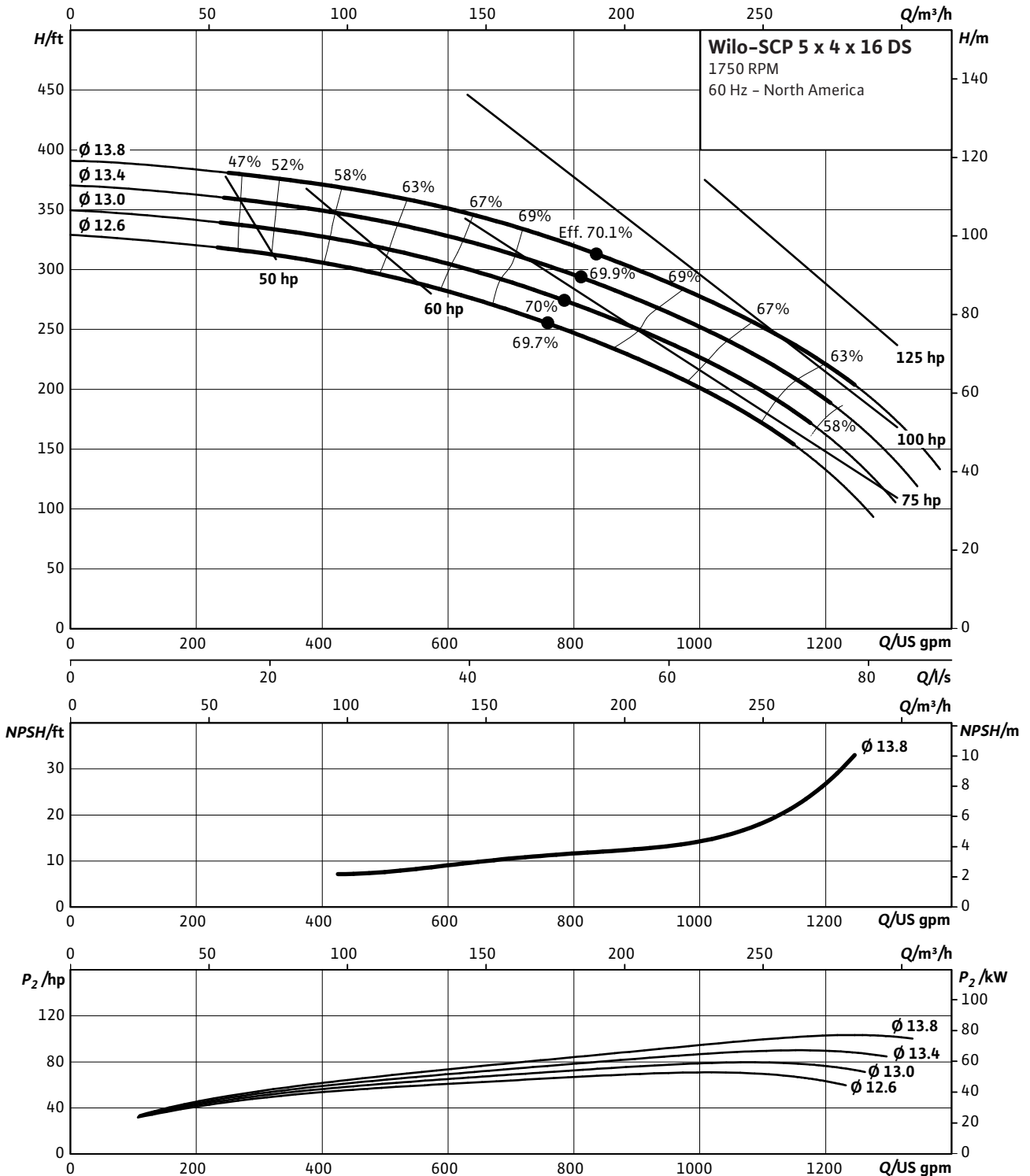
Pumps with axially split housing

Single pumps (heating, air-conditioning, cooling and industry)



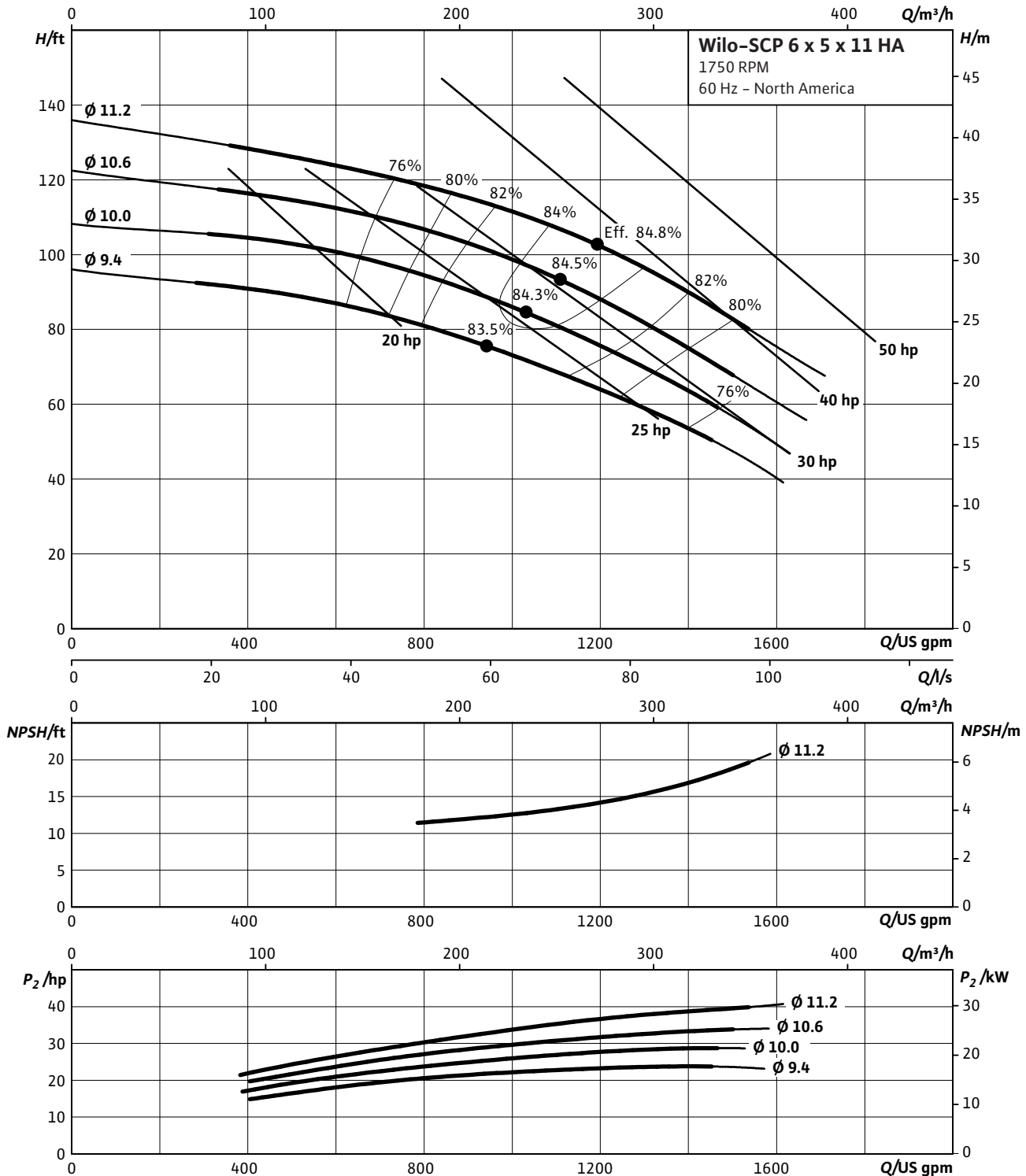
Pump curves Wilo-SCP

Wilo-SCP 5 x 4 x 16 DS



Pump curves Wilo-SCP

Wilo-SCP 6 x 5 x 11 HA



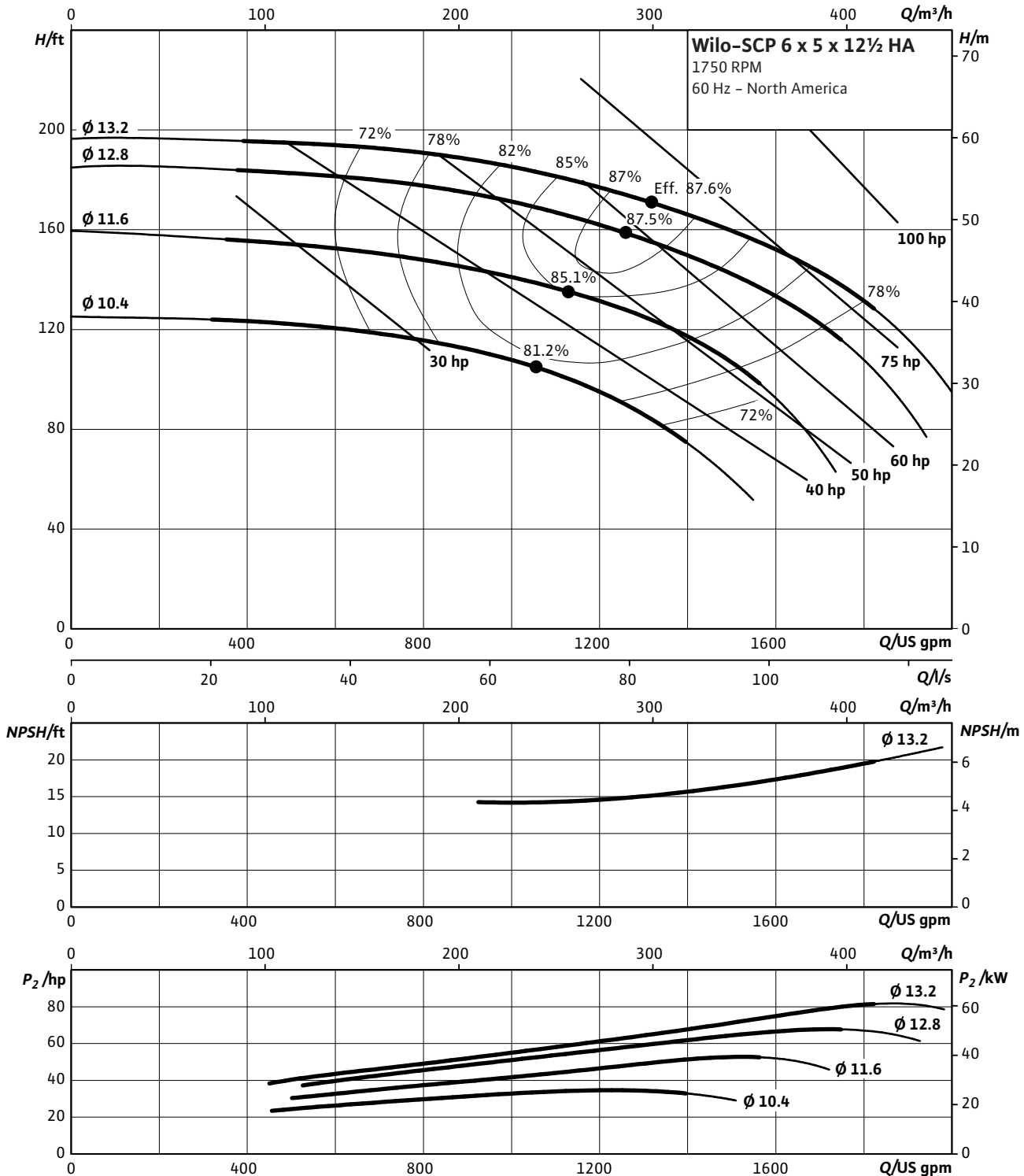
Pumps with axially split housing

Single pumps (heating, air-conditioning, cooling and industry)



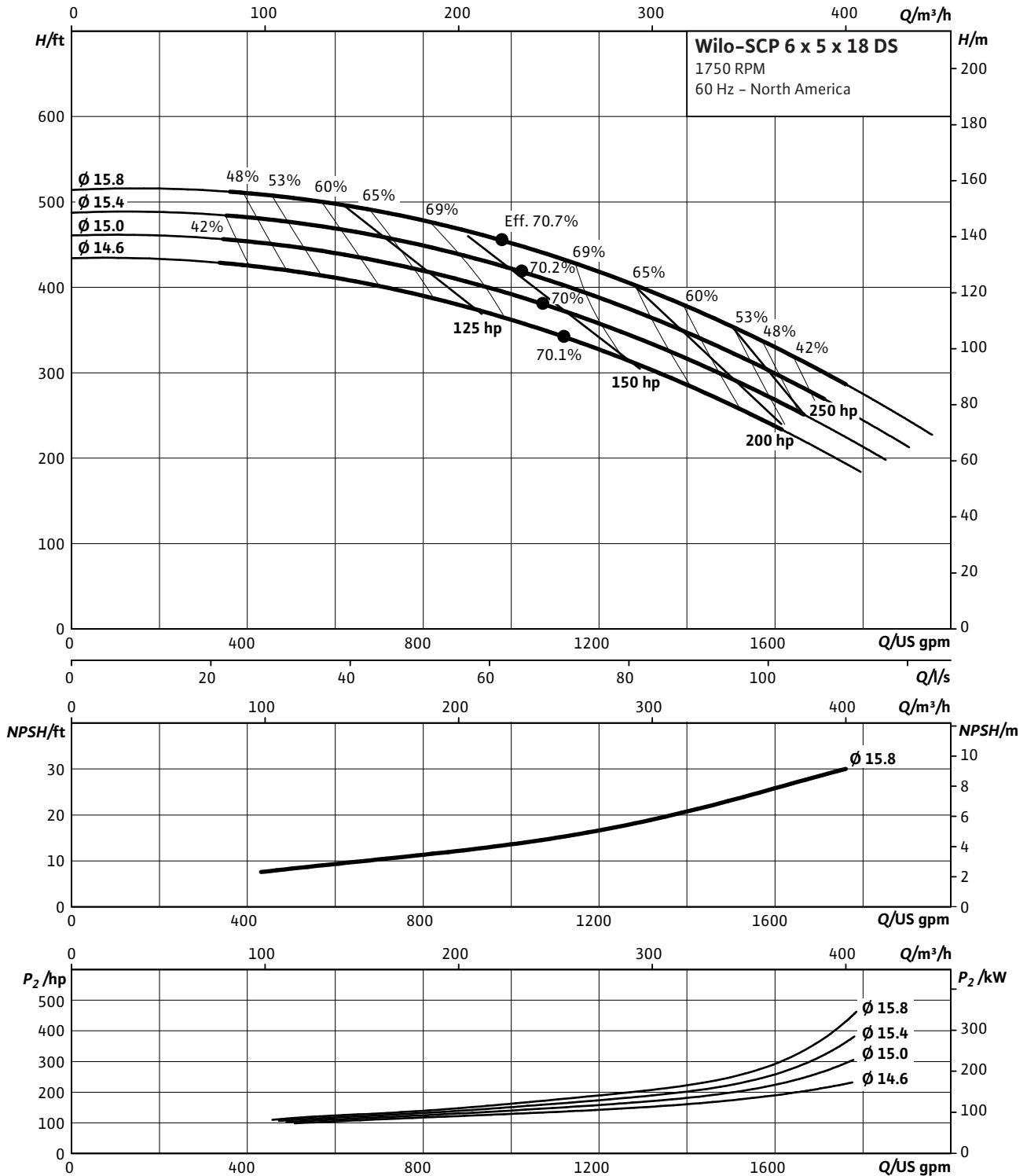
Pump curves Wilo-SCP

Wilo-SCP 6 x 5 x 12-1/2 HA



Pump curves Wilo-SCP

Wilo-SCP 6 x 5 x 18 DS



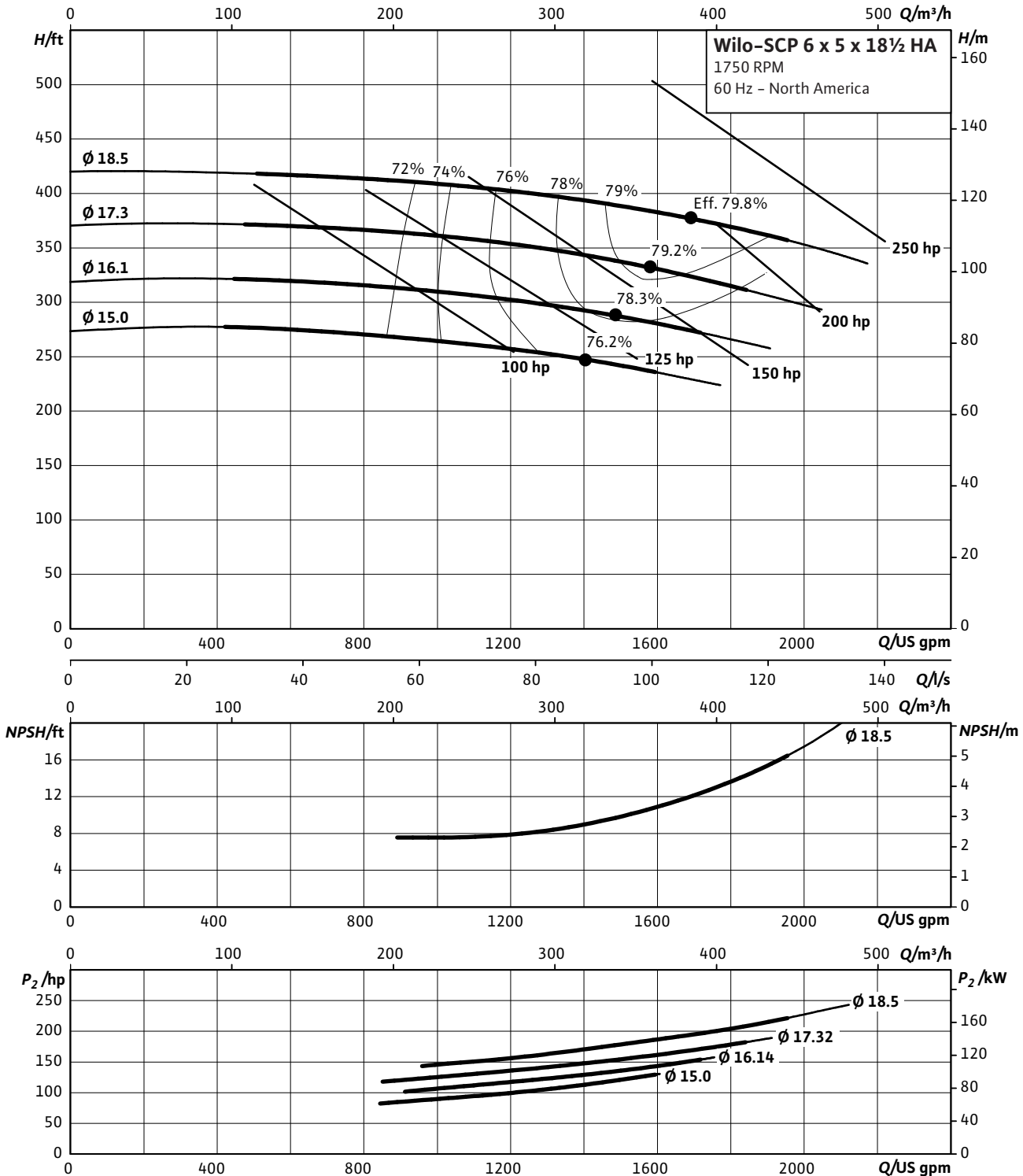
Pumps with axially split housing

Single pumps (heating, air-conditioning, cooling and industry)



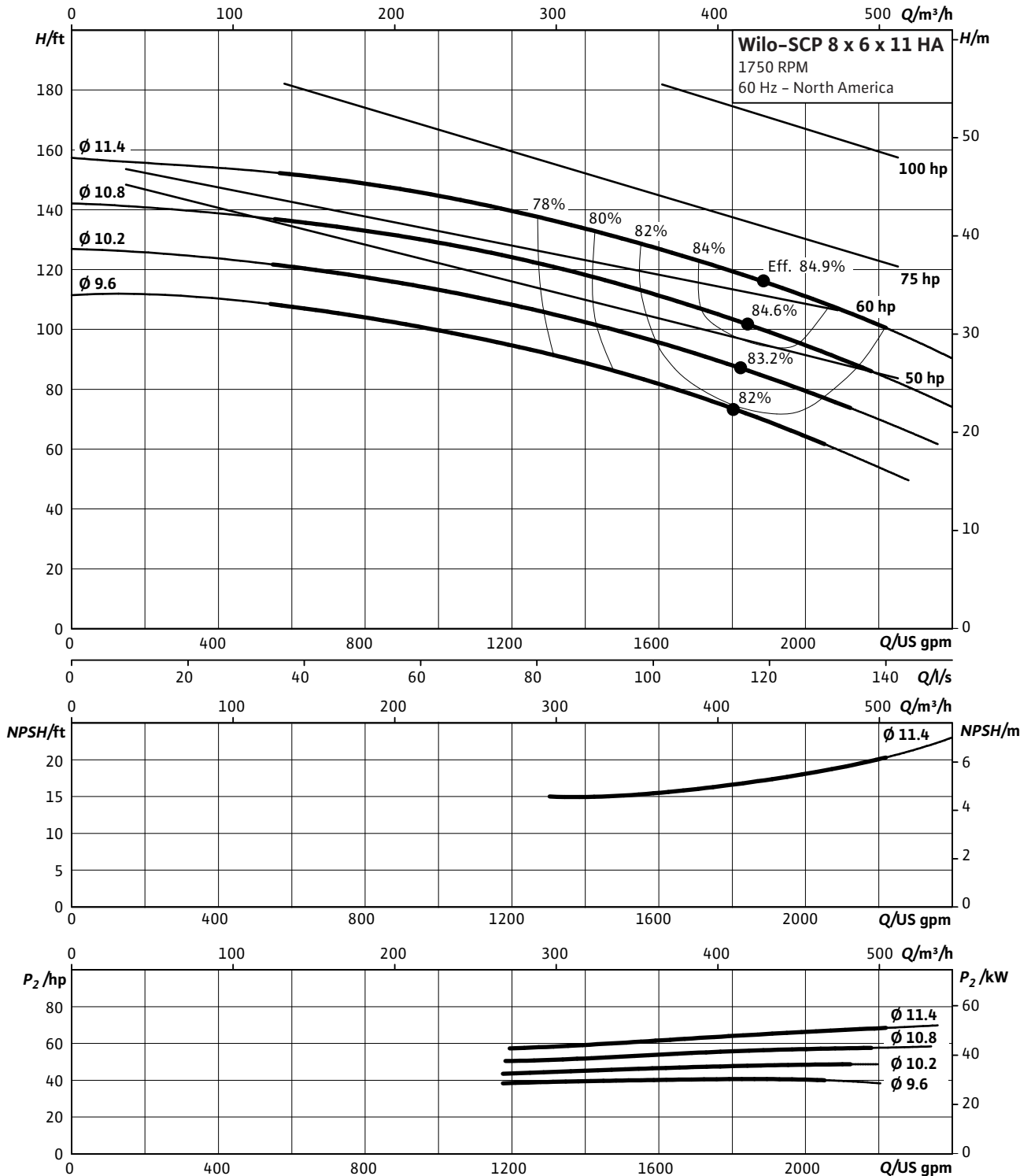
Pump curves Wilo-SCP

Wilo-SCP 6 x 5 x 18-1/2 HA



Pump curves Wilo-SCP

Wilo-SCP 8 x 6 x 11 HA



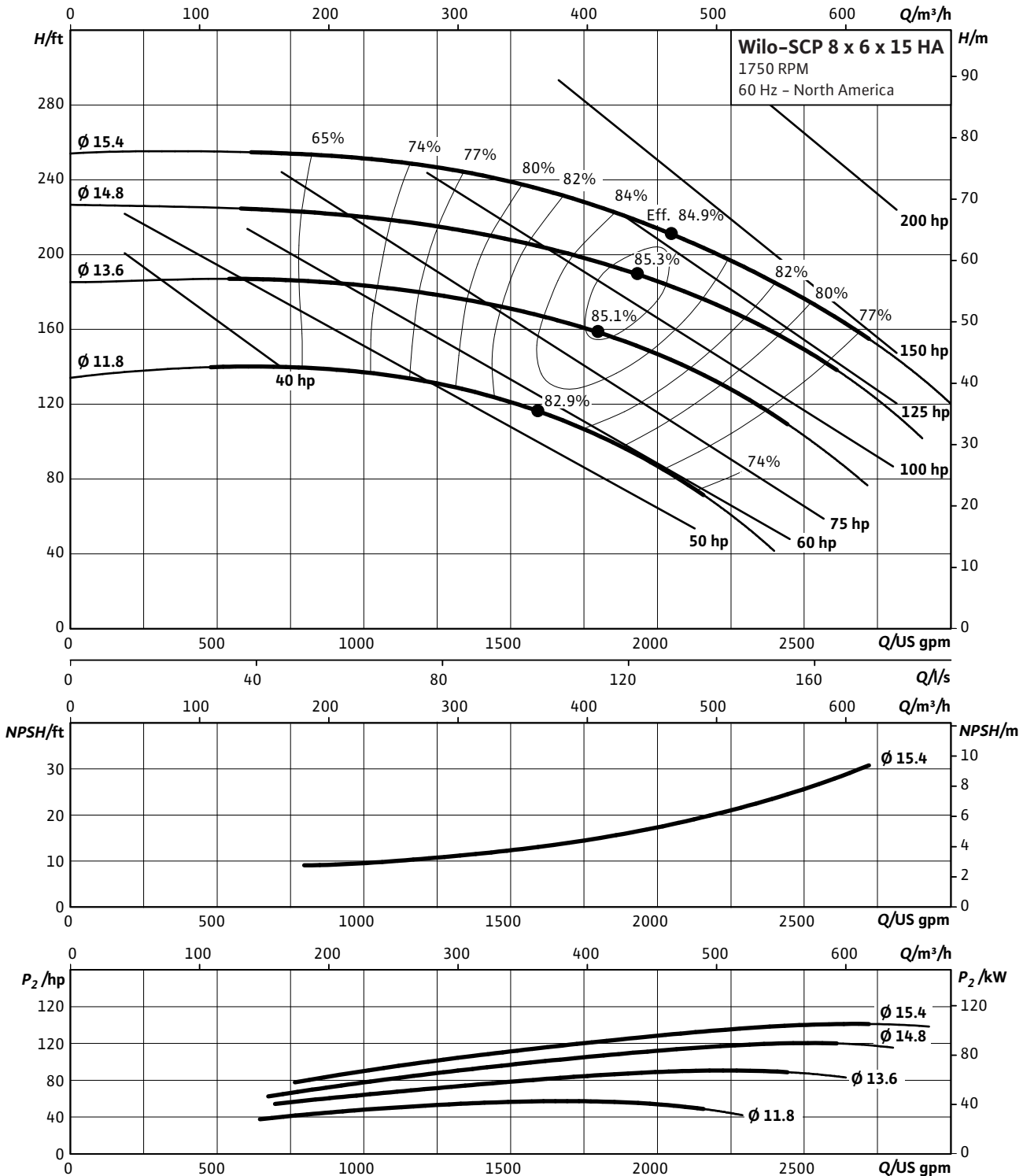
Pumps with axially split housing

Single pumps (heating, air-conditioning, cooling and industry)



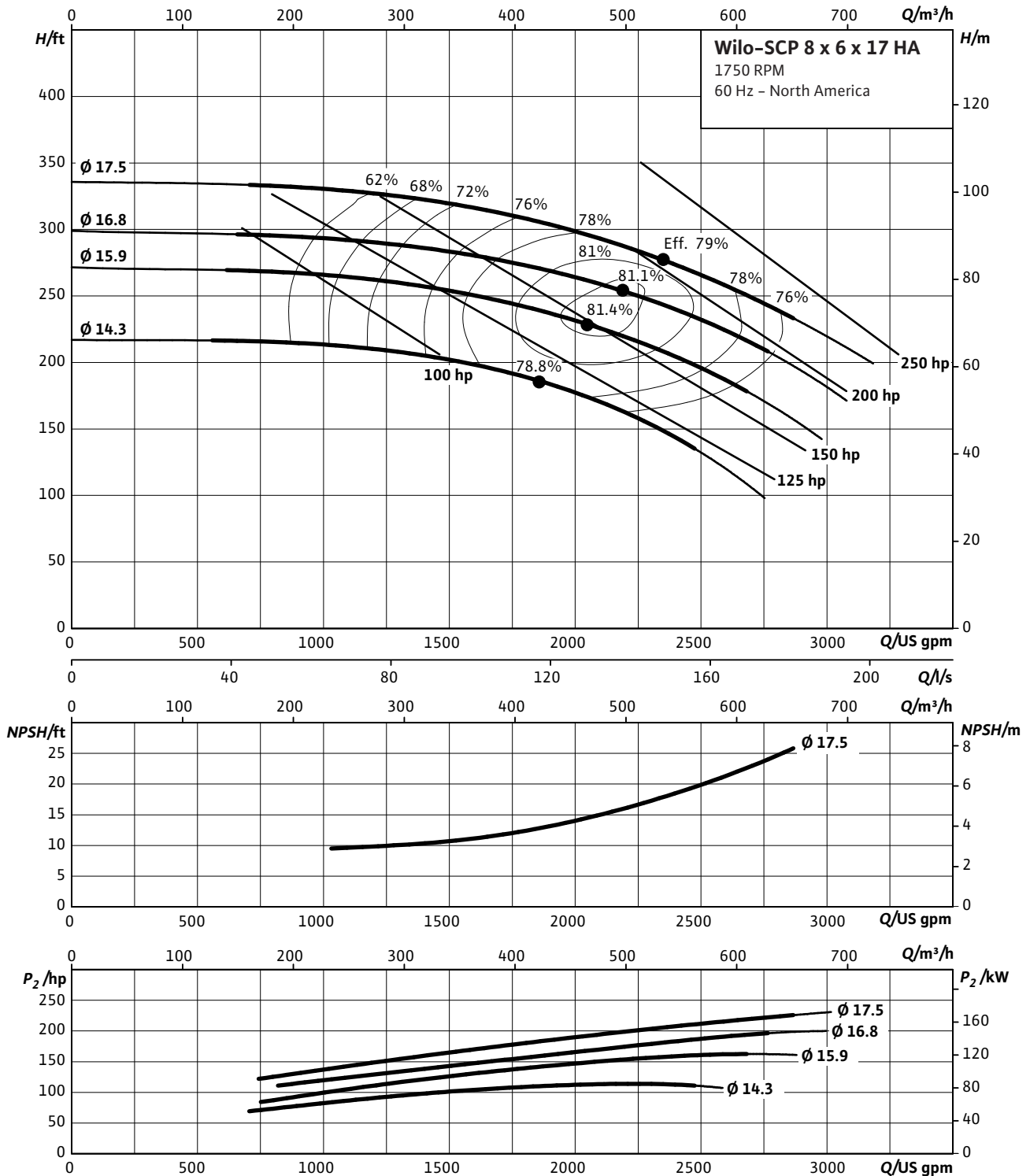
Pump curves Wilo-SCP

Wilo-SCP 8 x 6 x 15 HA



Pump curves Wilo-SCP

Wilo-SCP 8 x 6 x 17 HA



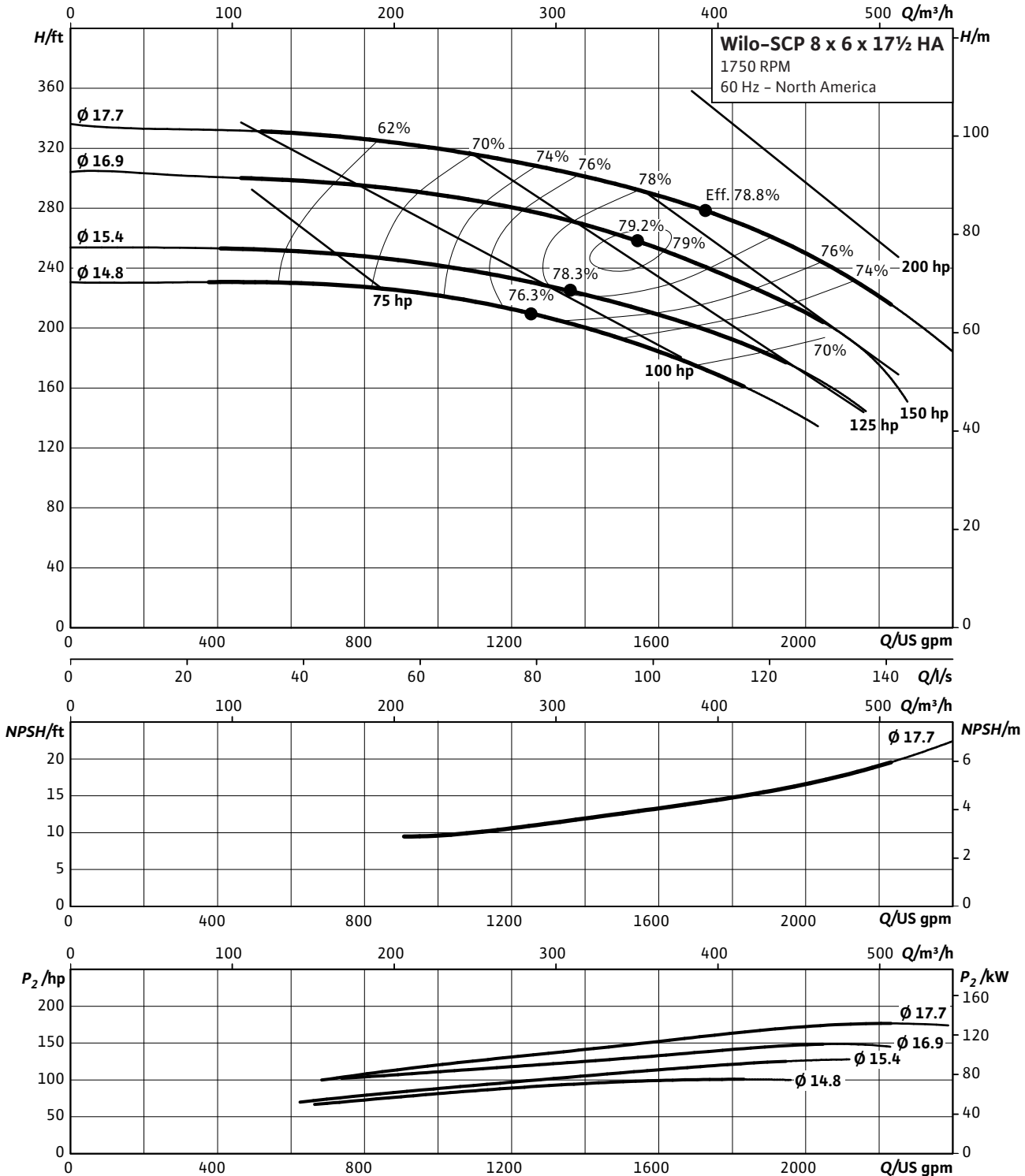
Pumps with axially split housing

Single pumps (heating, air-conditioning, cooling and industry)



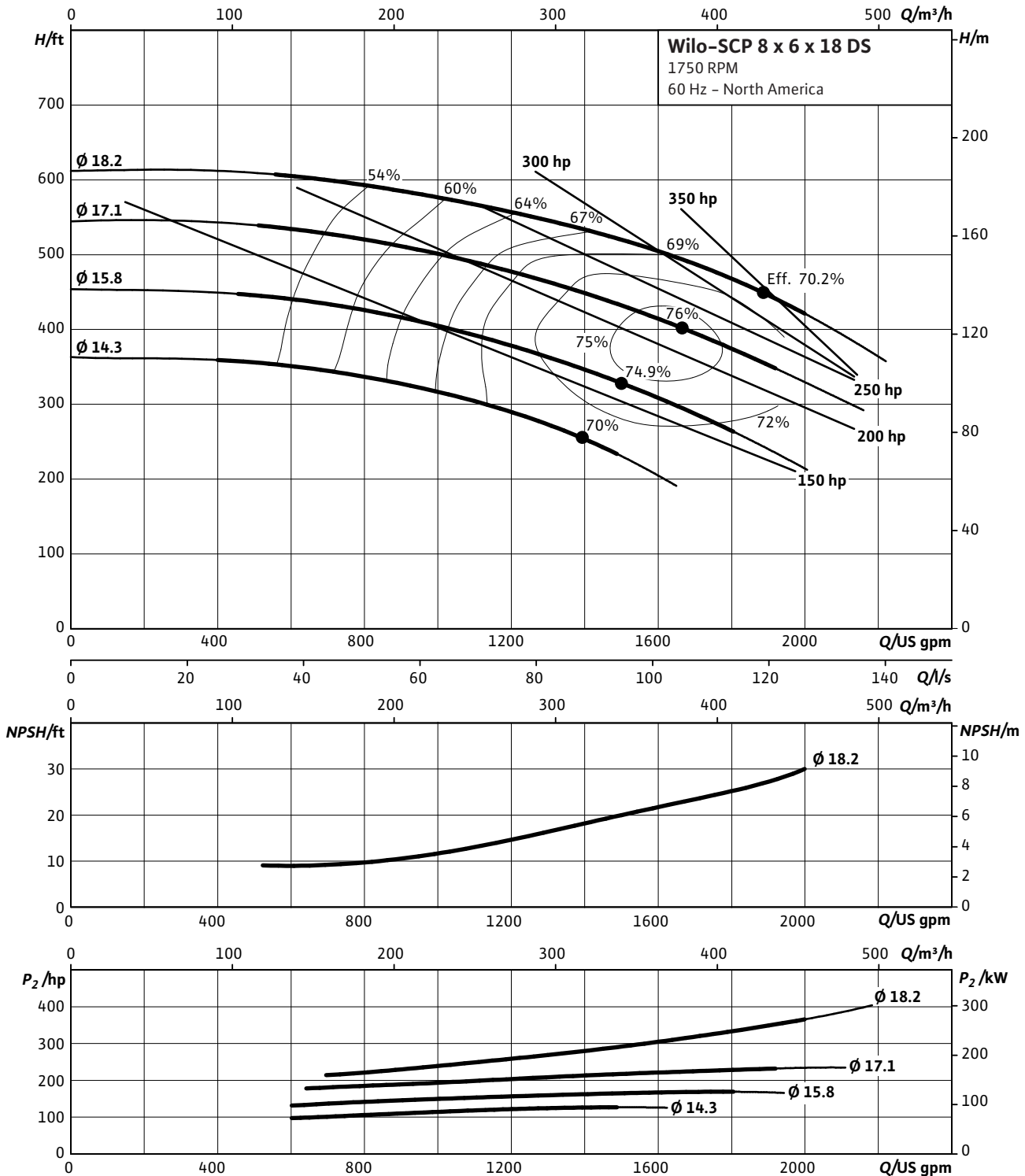
Pump curves Wilo-SCP

Wilo-SCP 8 x 6 x 17-1/2 HA



Pump curves Wilo-SCP

Wilo-SCP 8 x 6 x 18 DS



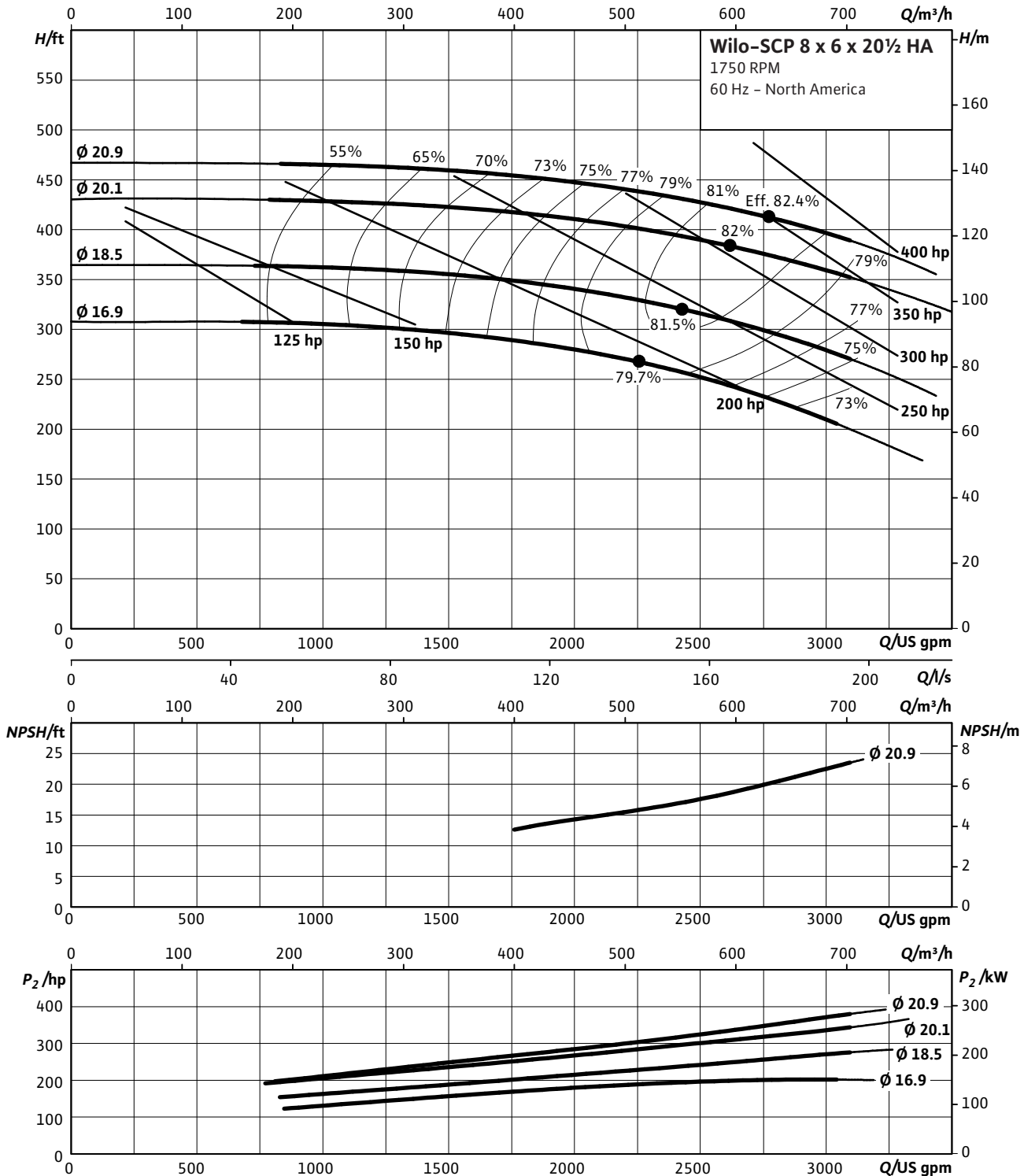
Pumps with axially split housing

Single pumps (heating, air-conditioning, cooling and industry)



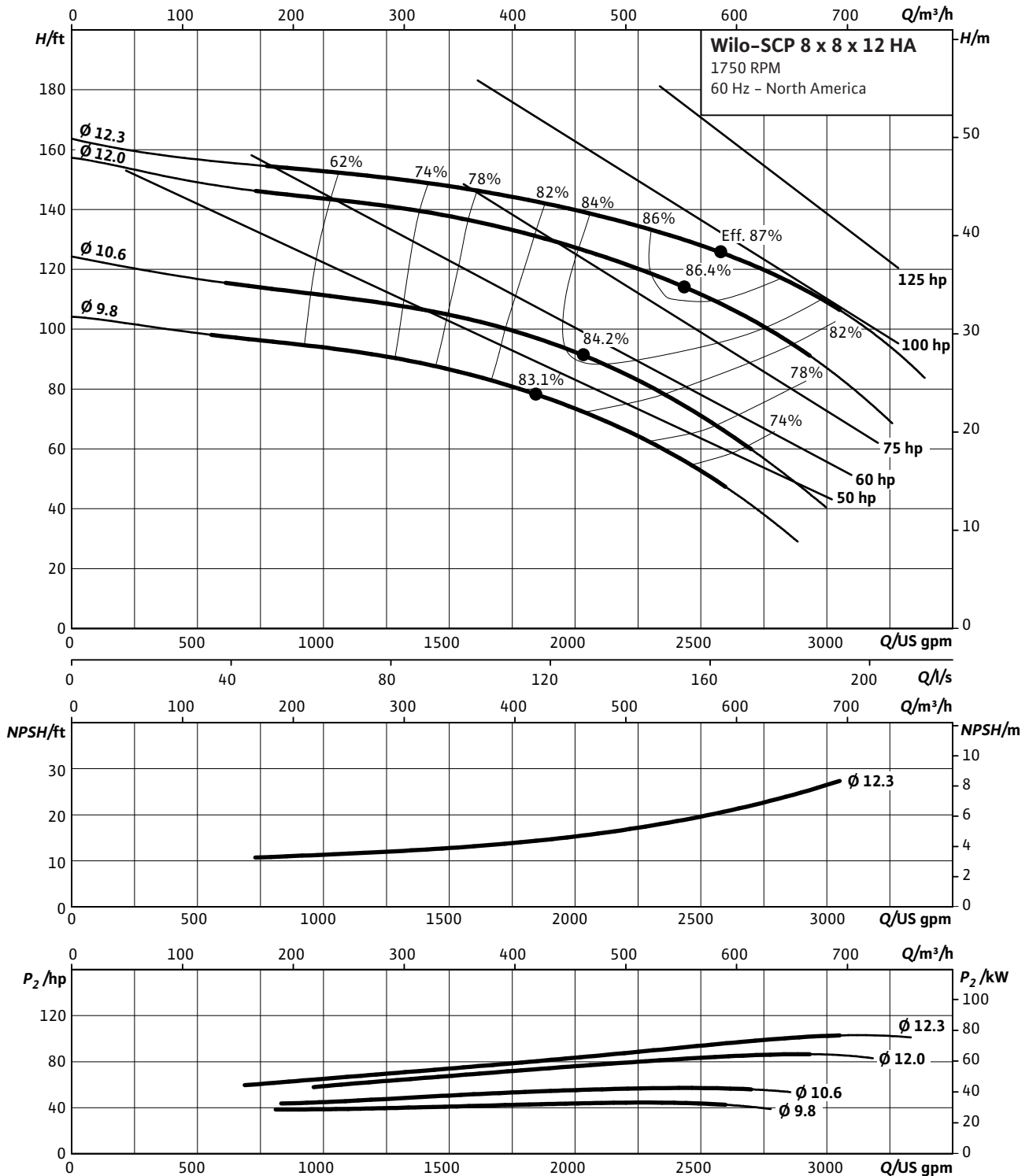
Pump curves Wilo-SCP

Wilo-SCP 8 x 6 x 20-1/2 HA



Pump curves Wilo-SCP

Wilo-SCP 8 x 8 x 12 HA



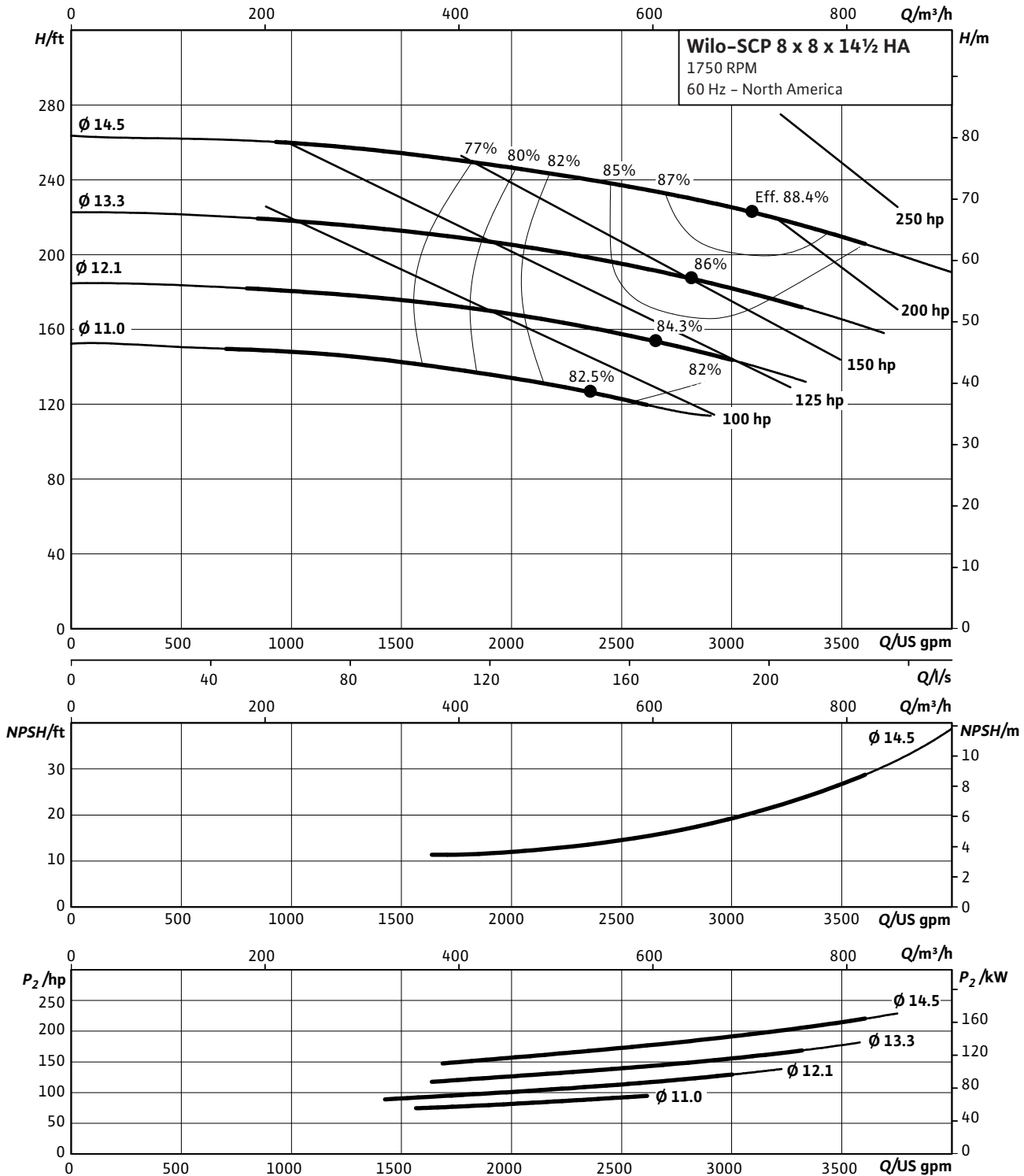
Pumps with axially split housing

Single pumps (heating, air-conditioning, cooling and industry)



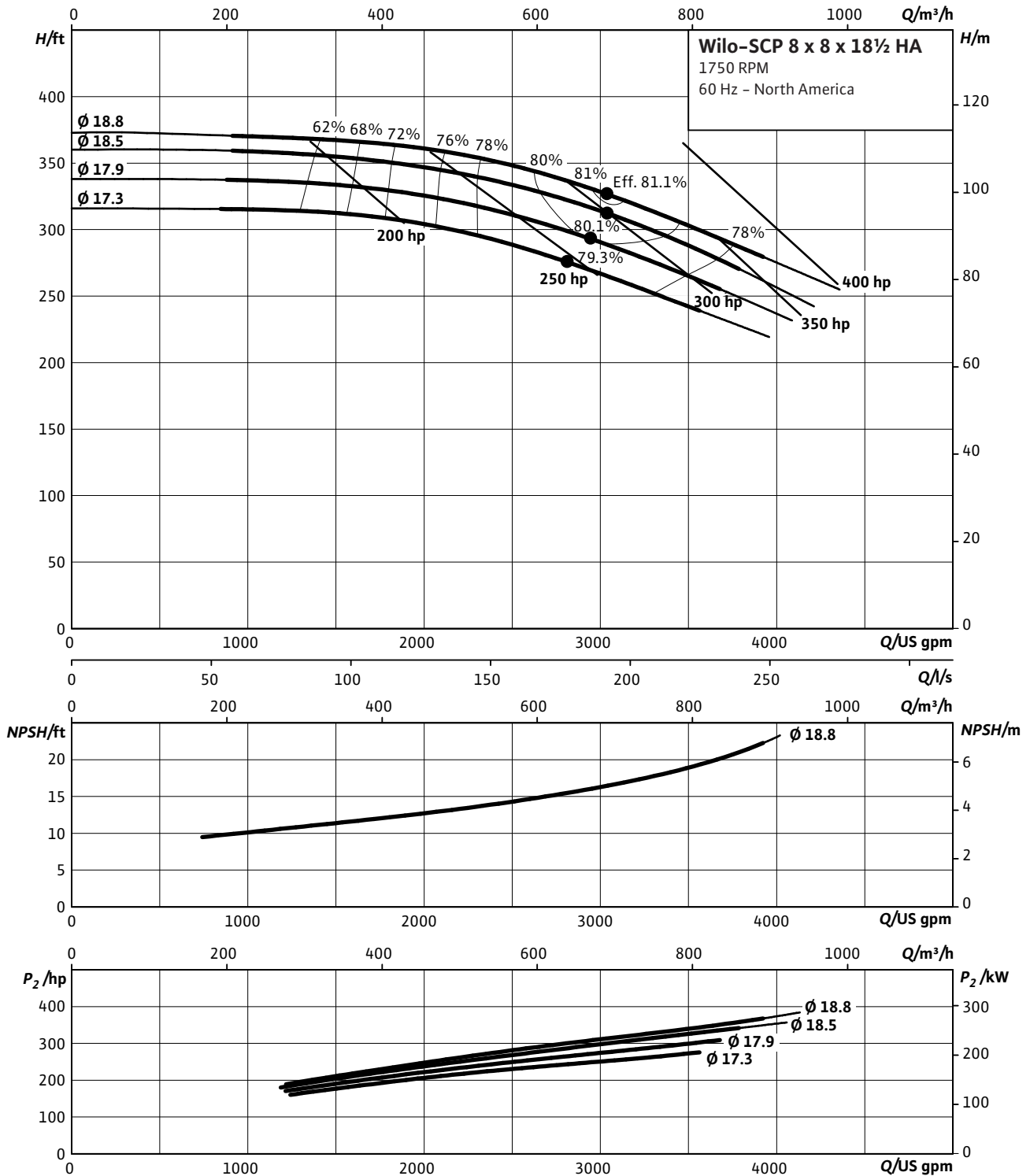
Pump curves Wilo-SCP

Wilo-SCP 8 x 8 x 14-1/2 HA



Pump curves Wilo-SCP

Wilo-SCP 8 x 8 x 18-1/2 HA



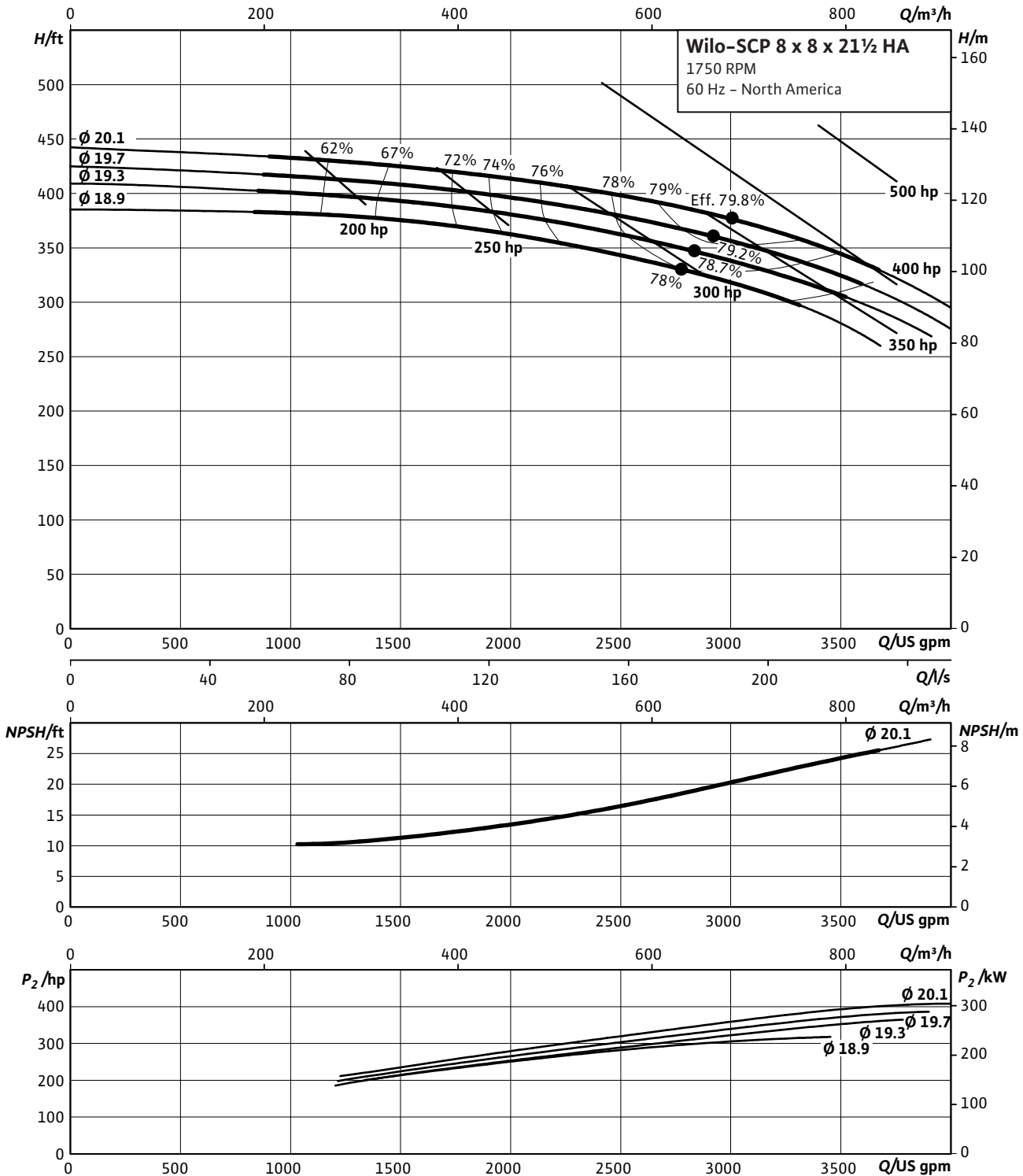
Pumps with axially split housing

Single pumps (heating, air-conditioning, cooling and industry)



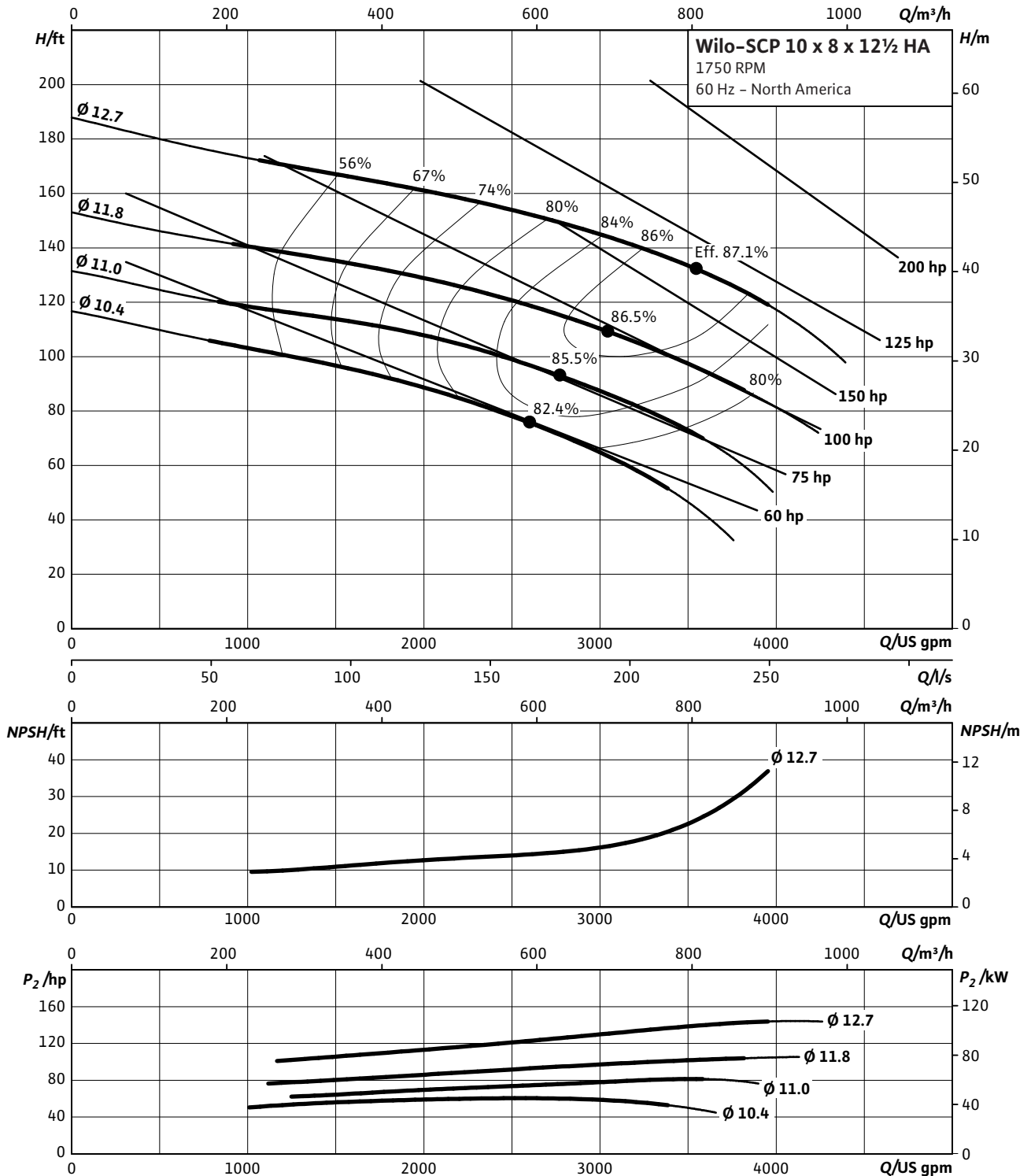
Pump curves Wilo-SCP

Wilo-SCP 8 x 8 x 21-1/2 HA



Pump curves Wilo-SCP

Wilo-SCP 10 x 8 x 12-1/2 HA



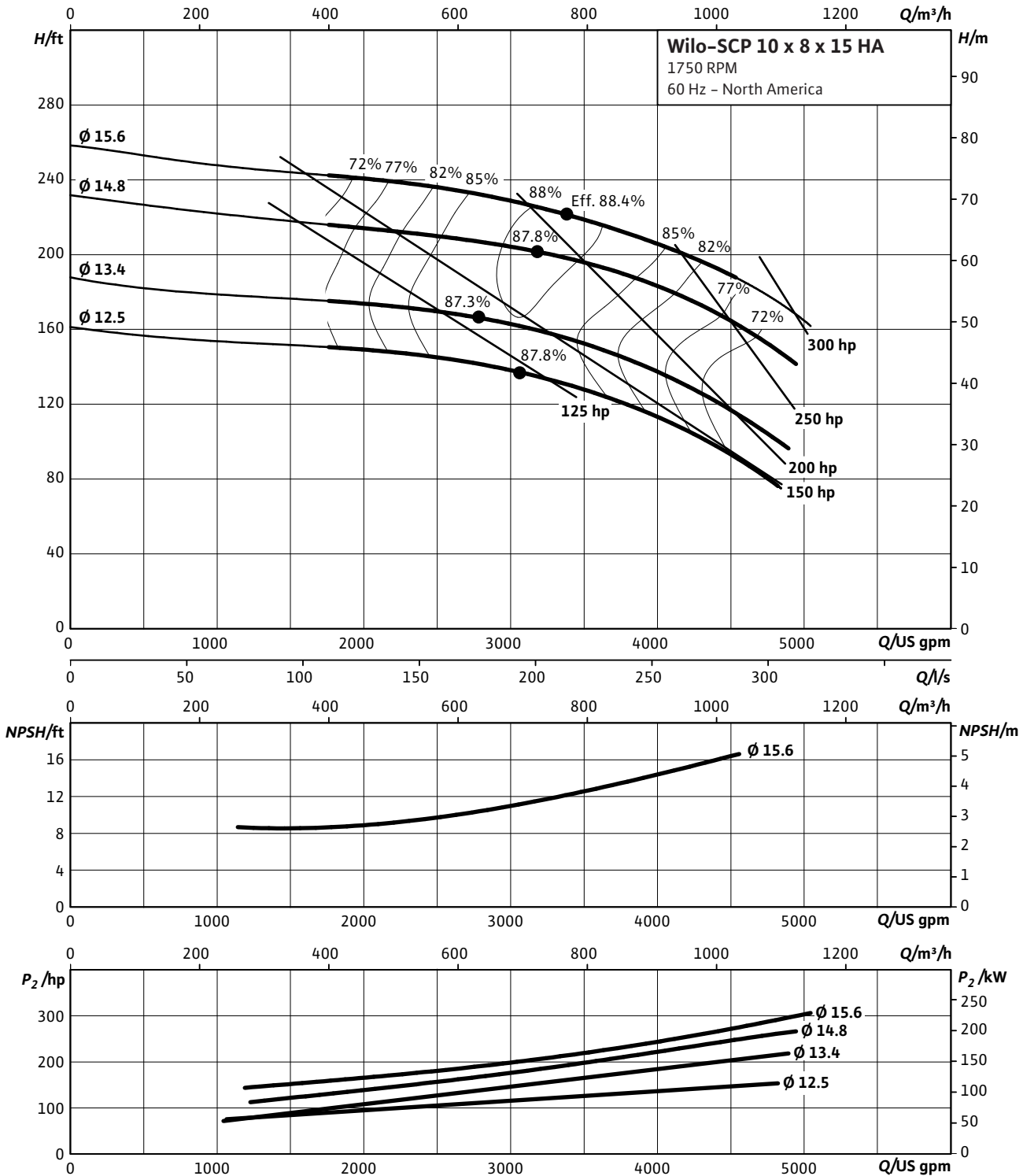
Pumps with axially split housing

Single pumps (heating, air-conditioning, cooling and industry)



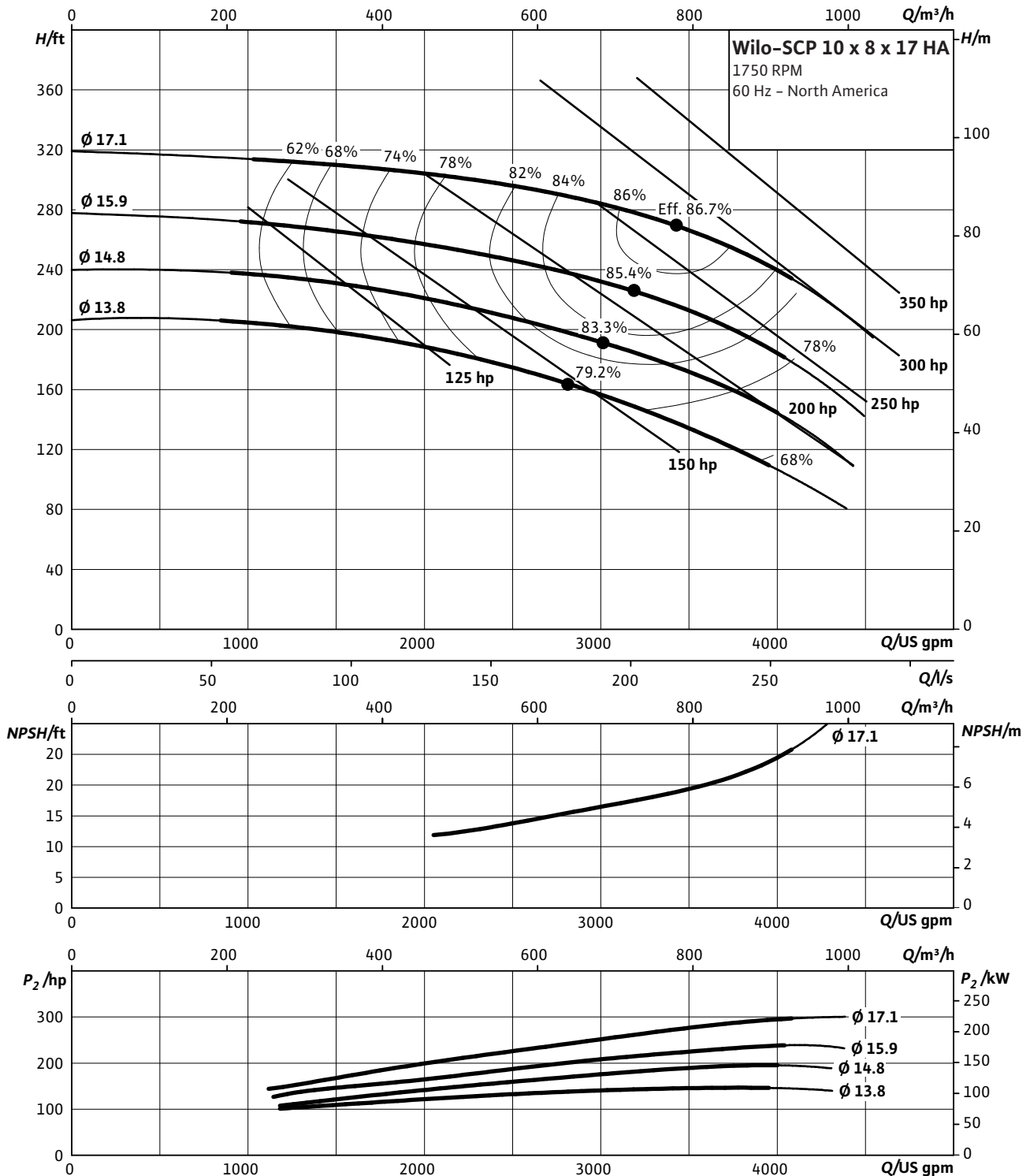
Pump curves Wilo-SCP

Wilo-SCP 10 x 8 x 15 HA



Pump curves Wilo-SCP

Wilo-SCP 10 x 8 x 17 HA



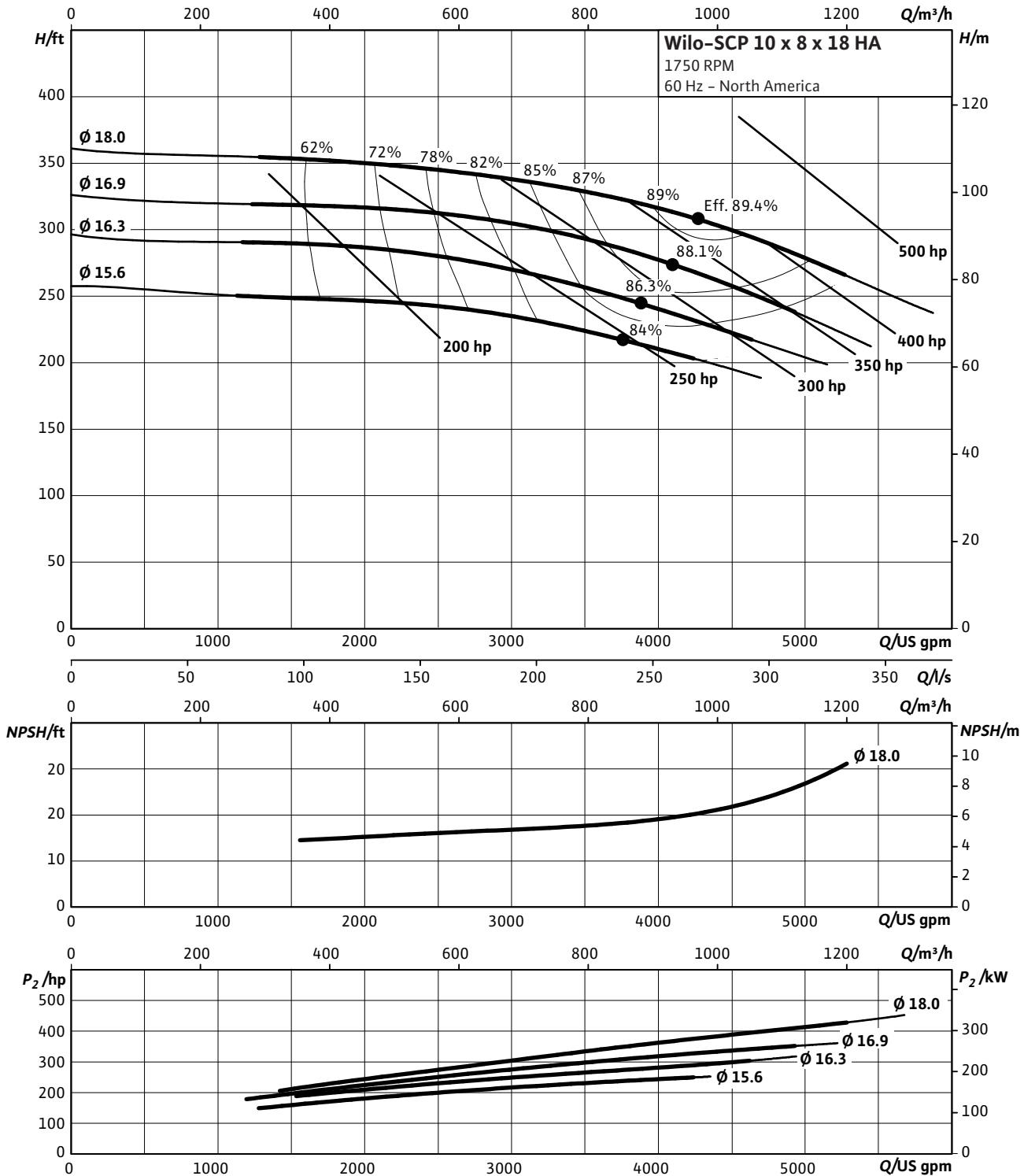
Pumps with axially split housing

Single pumps (heating, air-conditioning, cooling and industry)



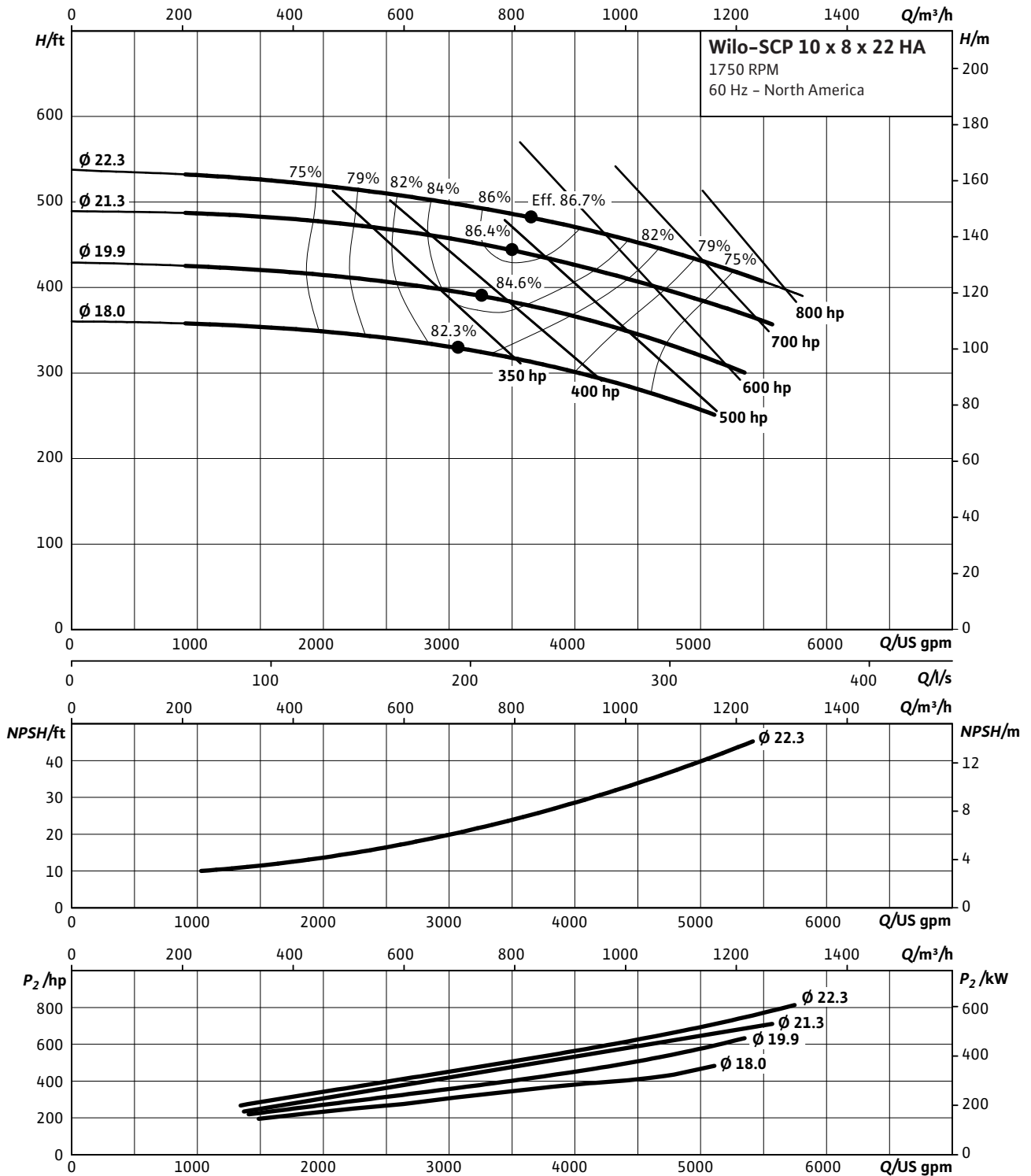
Pump curves Wilo-SCP

Wilo-SCP 10 x 8 x 18 HA



Pump curves Wilo-SCP

Wilo-SCP 10 x 8 x 22 HA



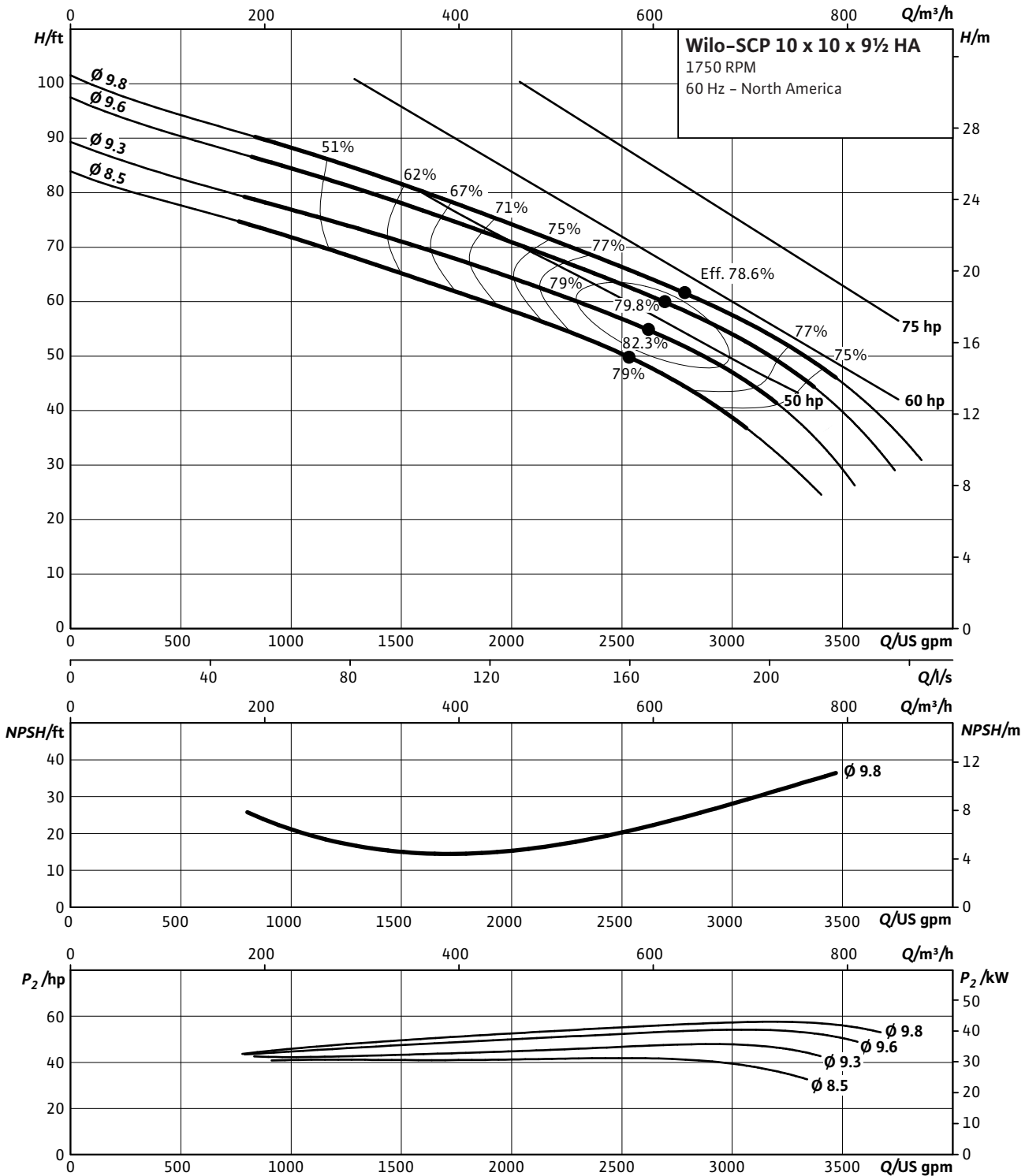
Pumps with axially split housing

Single pumps (heating, air-conditioning, cooling and industry)



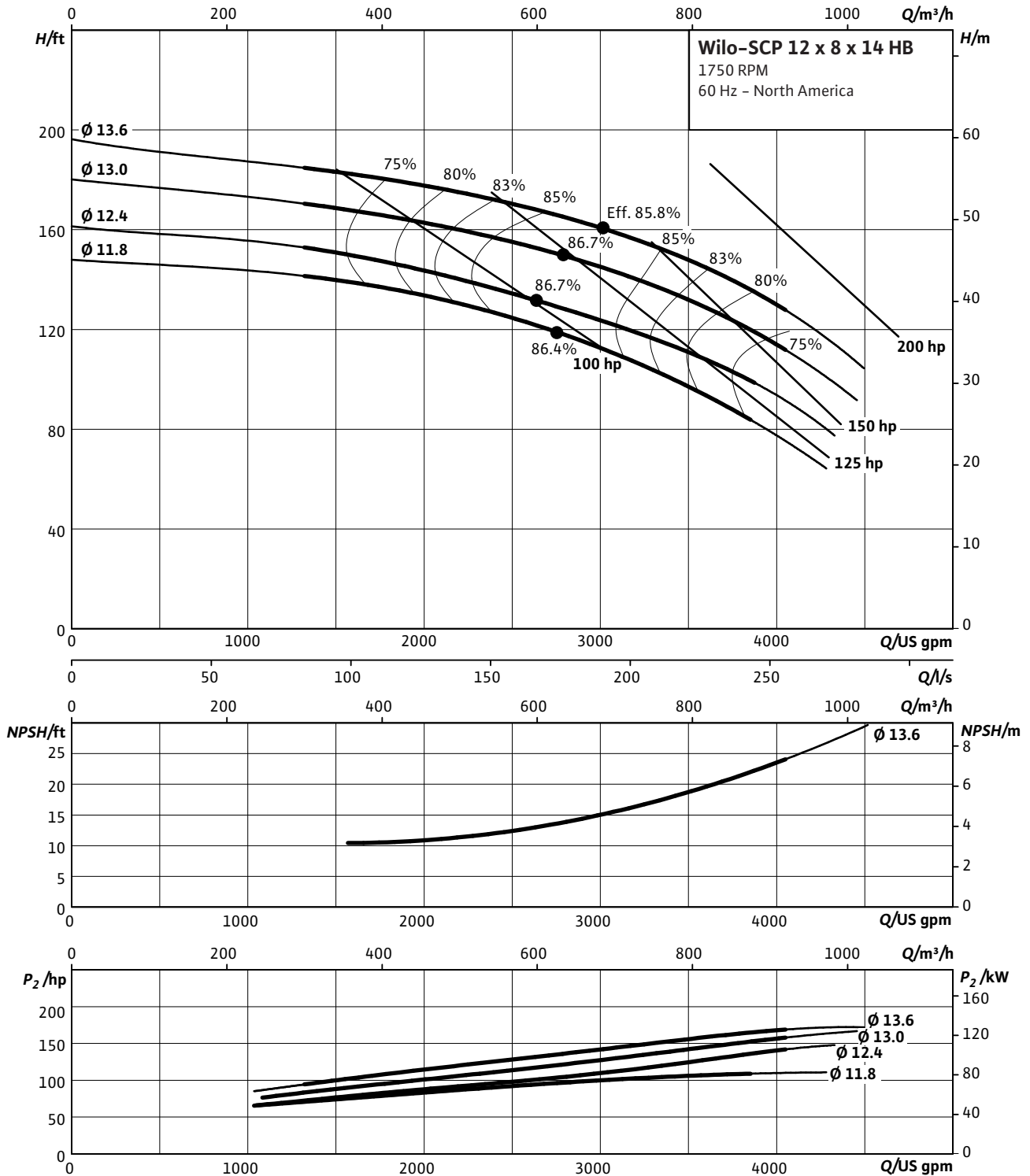
Pump curves Wilo-SCP

Wilo-SCP 10 x 10 x 9-1/2 HA



Pump curves Wilo-SCP

Wilo-SCP 12 x 8 x 14 HB



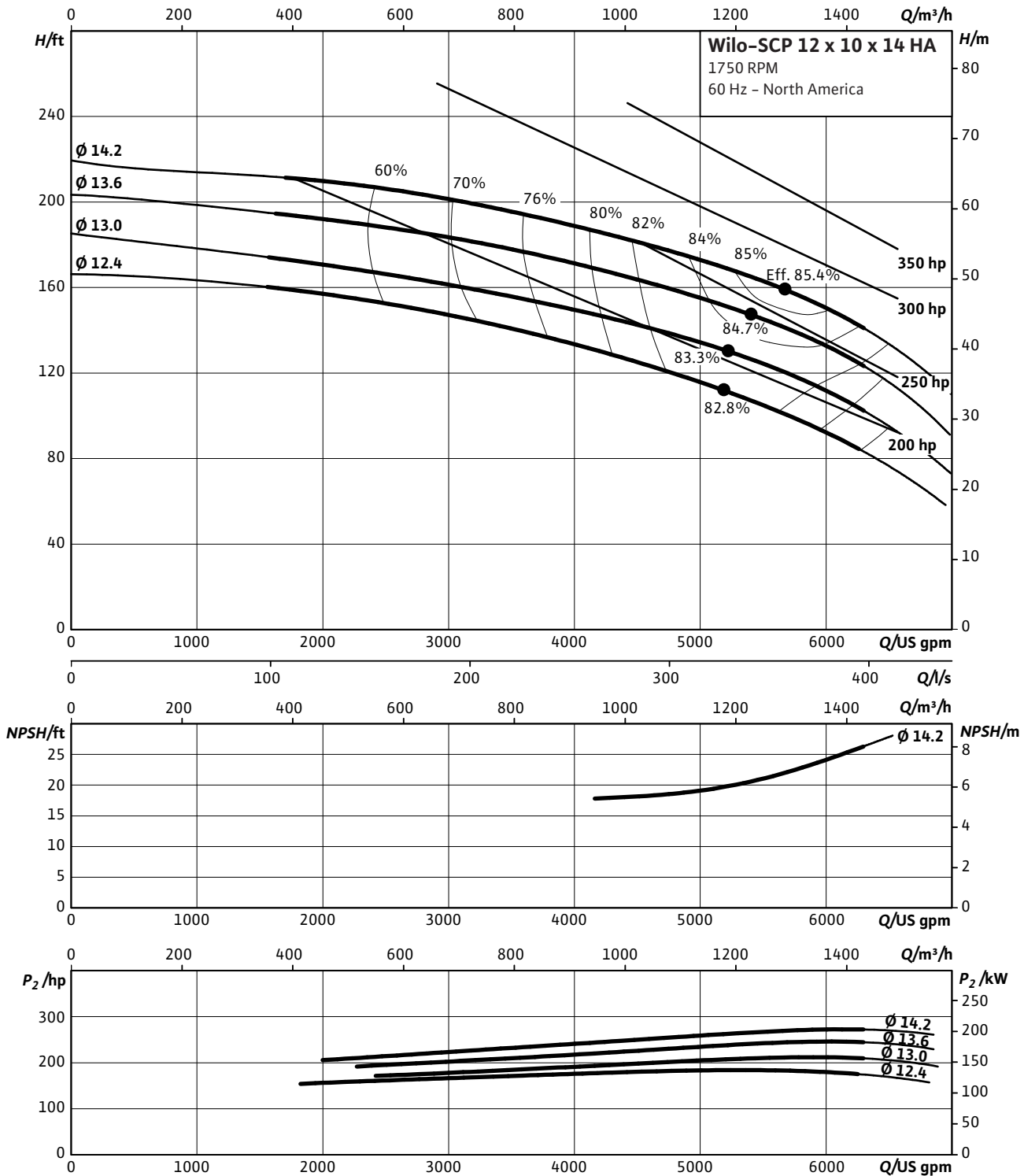
Pumps with axially split housing

Single pumps (heating, air-conditioning, cooling and industry)



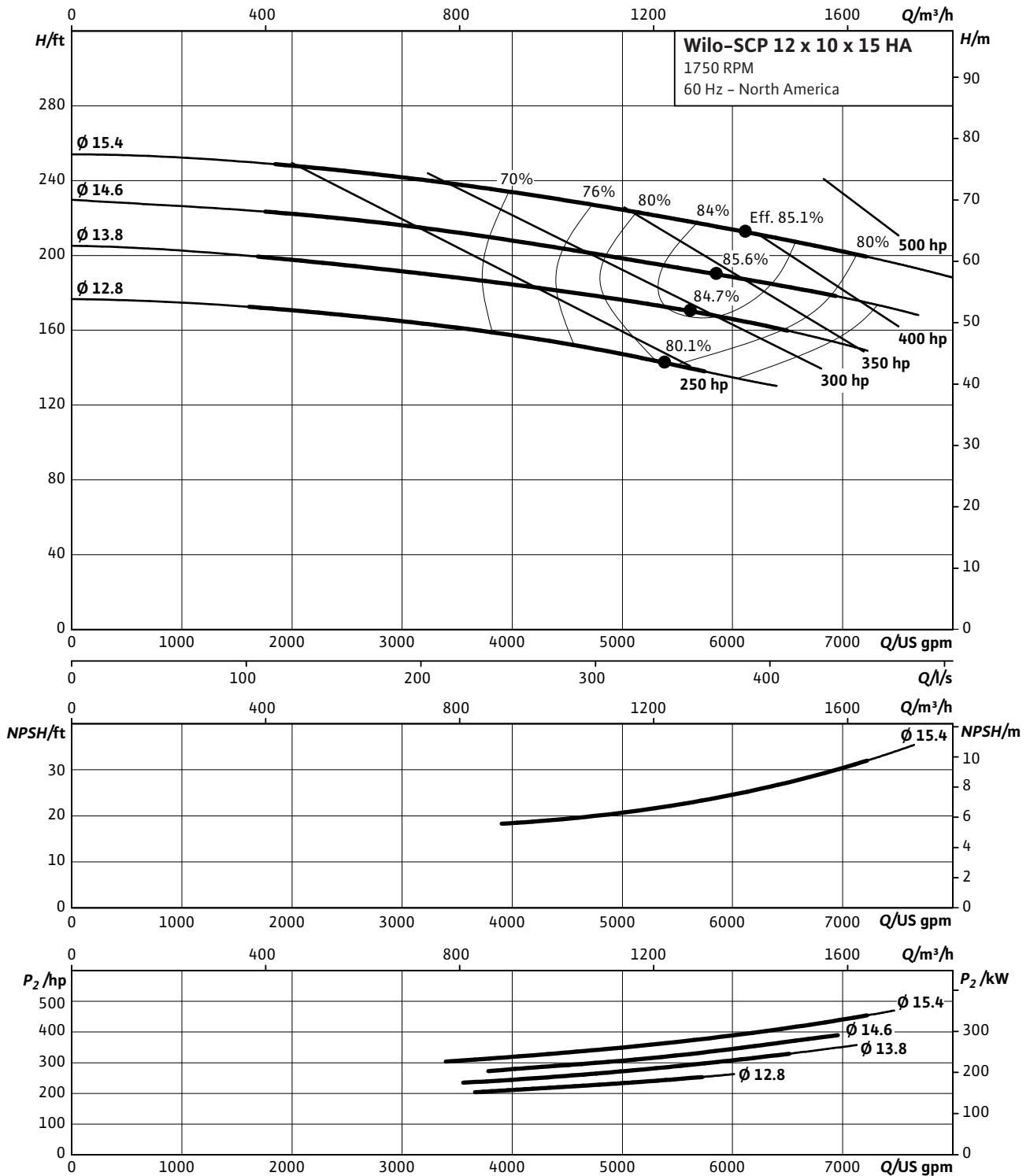
Pump curves Wilo-SCP

Wilo-SCP 12 x 10 x 14 HA



Pump curves Wilo-SCP

Wilo-SCP 12 x 10 x 15 HA



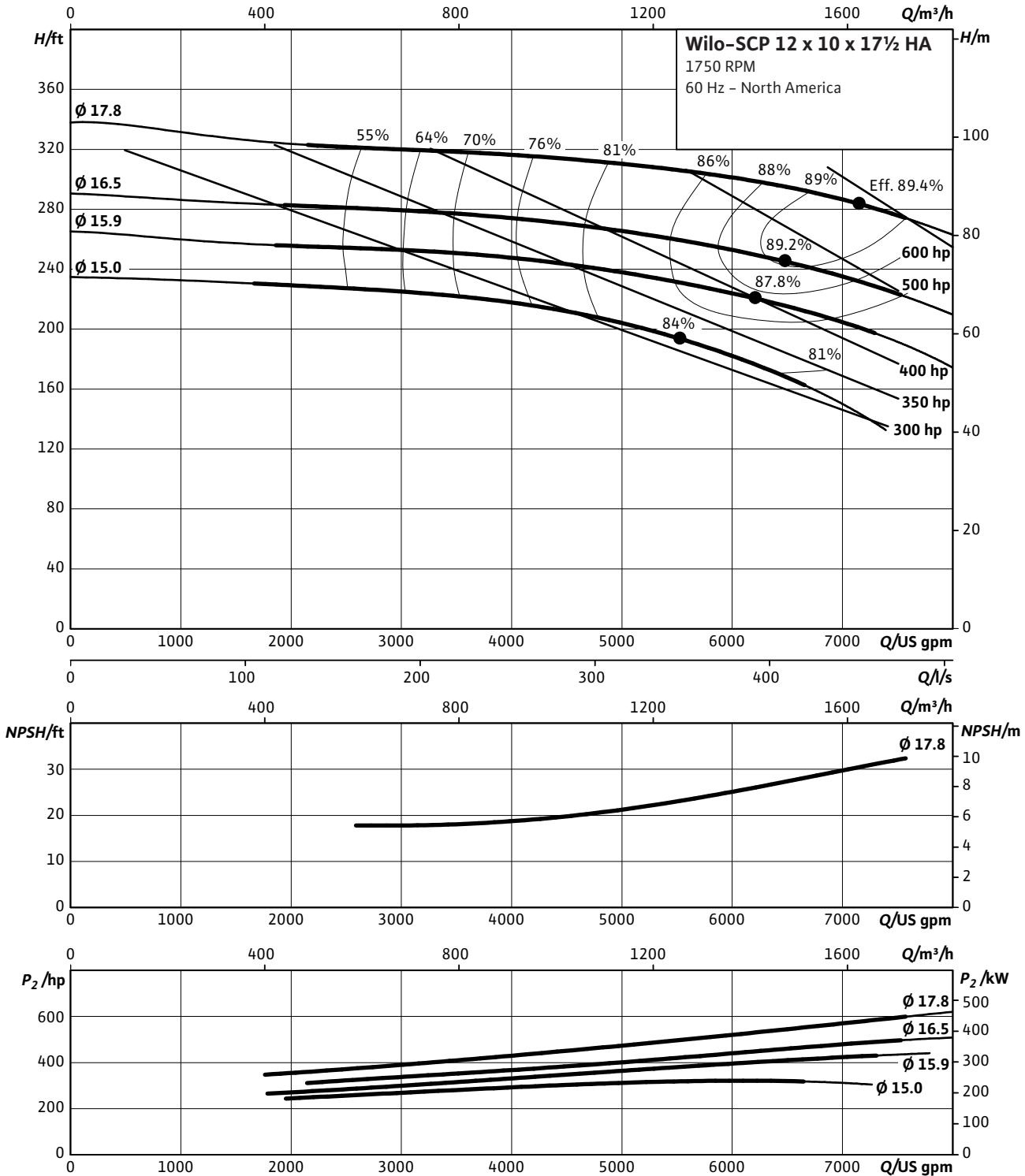
Pumps with axially split housing

Single pumps (heating, air-conditioning, cooling and industry)



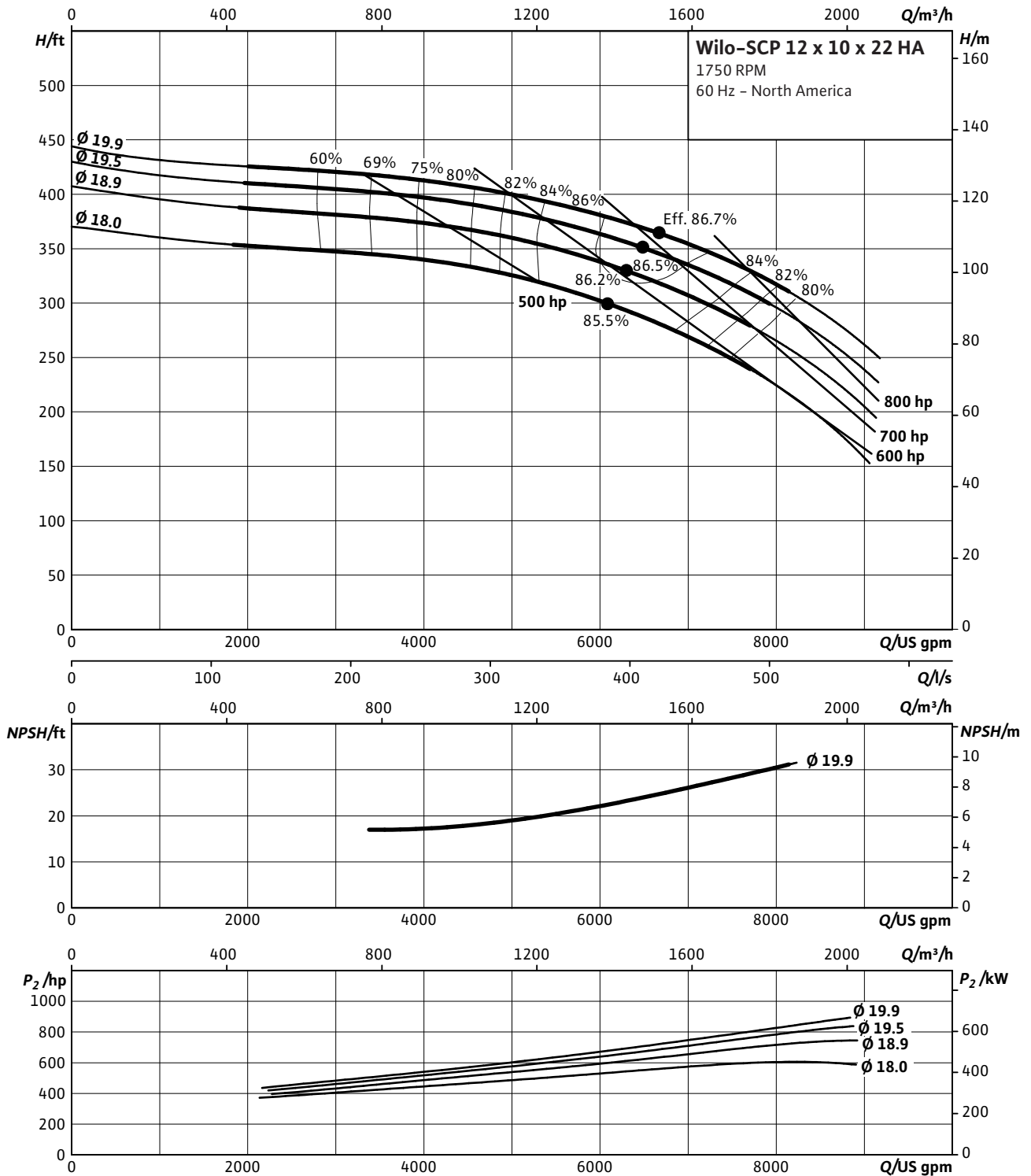
Pump curves Wilo-SCP

Wilo-SCP 12 x 10 x 17-1/2 HA



Pump curves Wilo-SCP

Wilo-SCP 12 x 10 x 22 HA



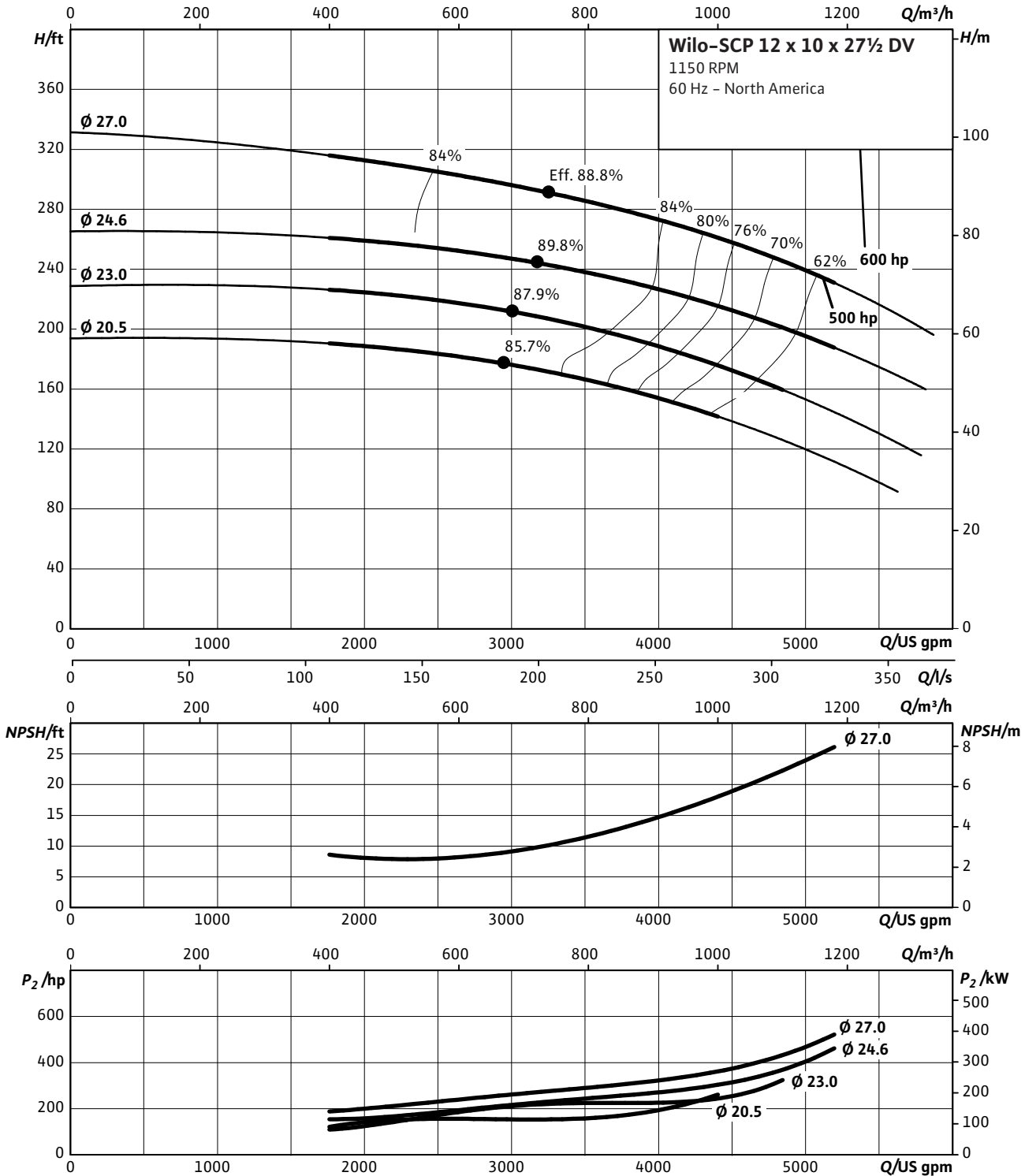
Pumps with axially split housing

Single pumps (heating, air-conditioning, cooling and industry)



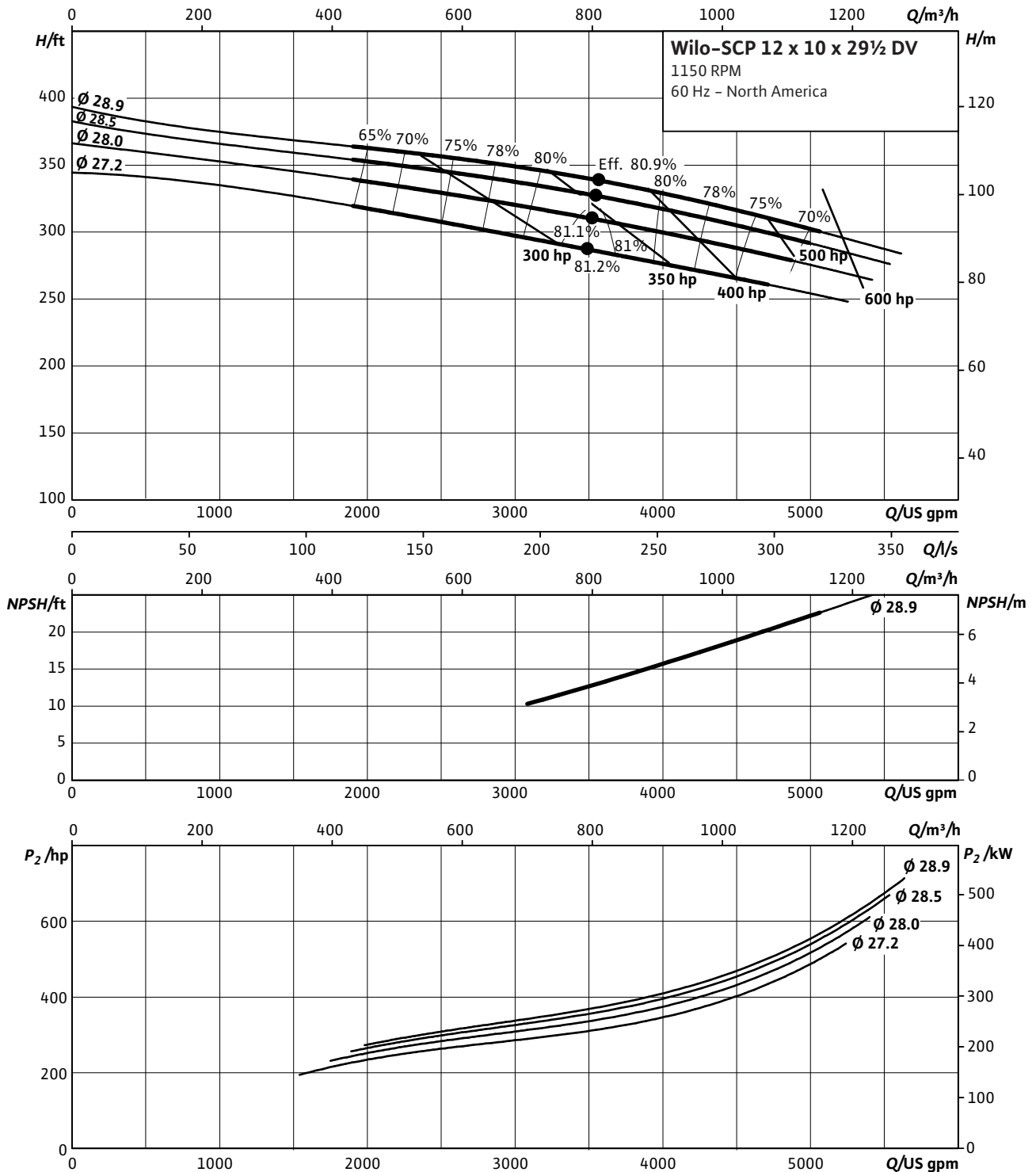
Pump curves Wilo-SCP

Wilo-SCP 12 x 10 x 27-1/2 DV



Pump curves Wilo-SCP

Wilo-SCP 12 x 10 x 29-1/2 DV



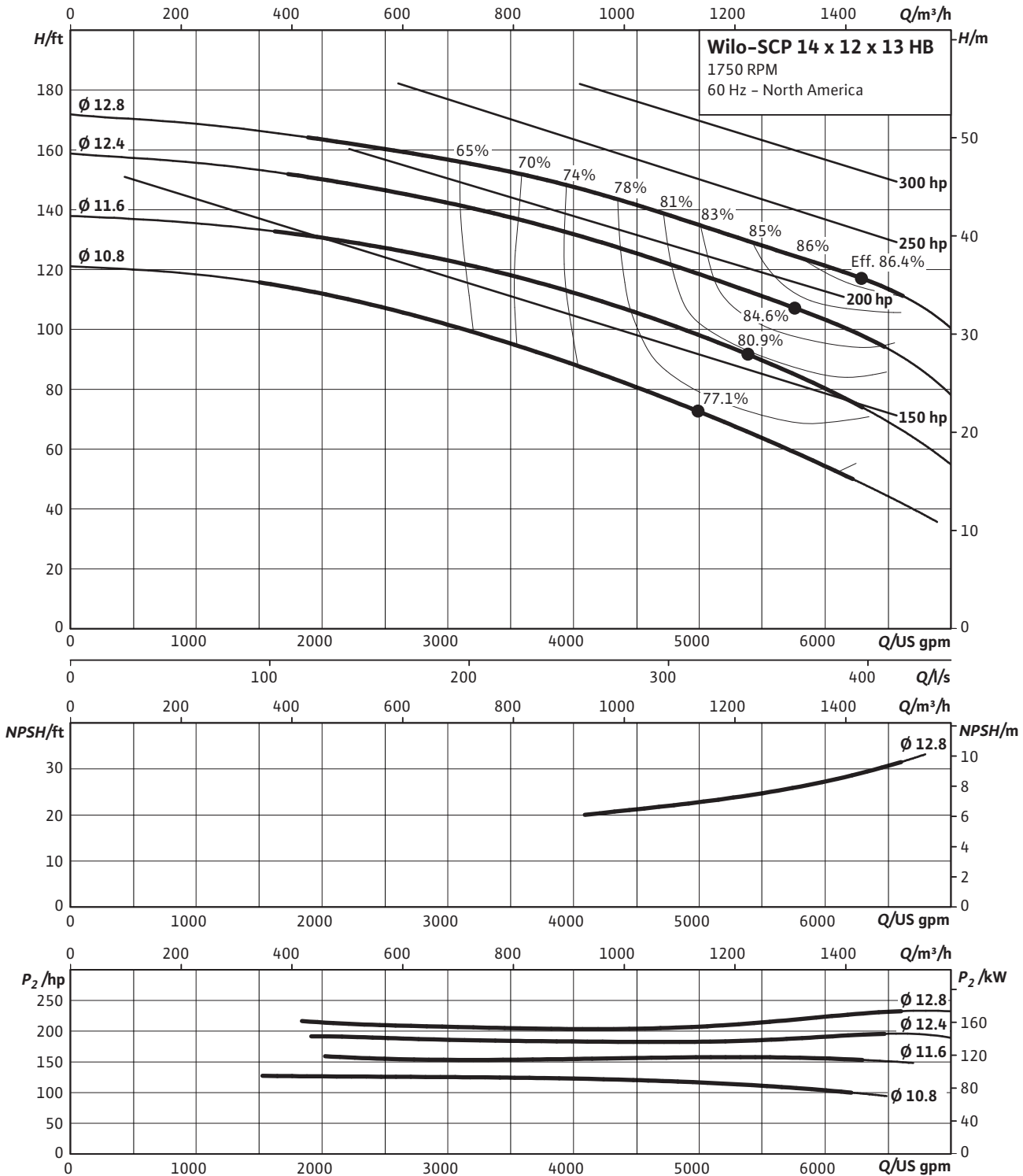
Pumps with axially split housing

Single pumps (heating, air-conditioning, cooling and industry)



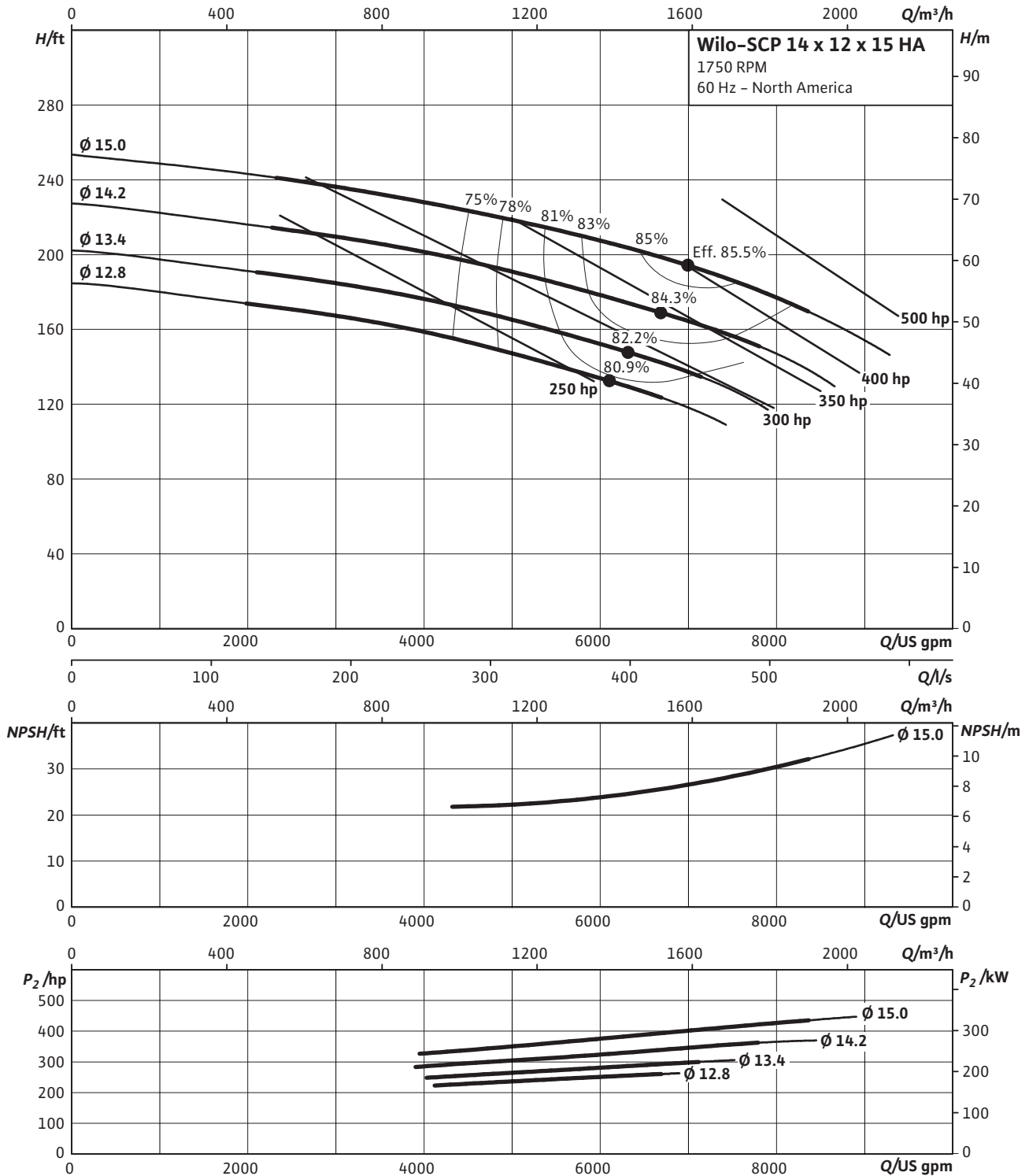
Pump curves Wilo-SCP

Wilo-SCP 14 x 12 x 13 HB



Pump curves Wilo-SCP

Wilo-SCP 14 x 12 x 15 HA



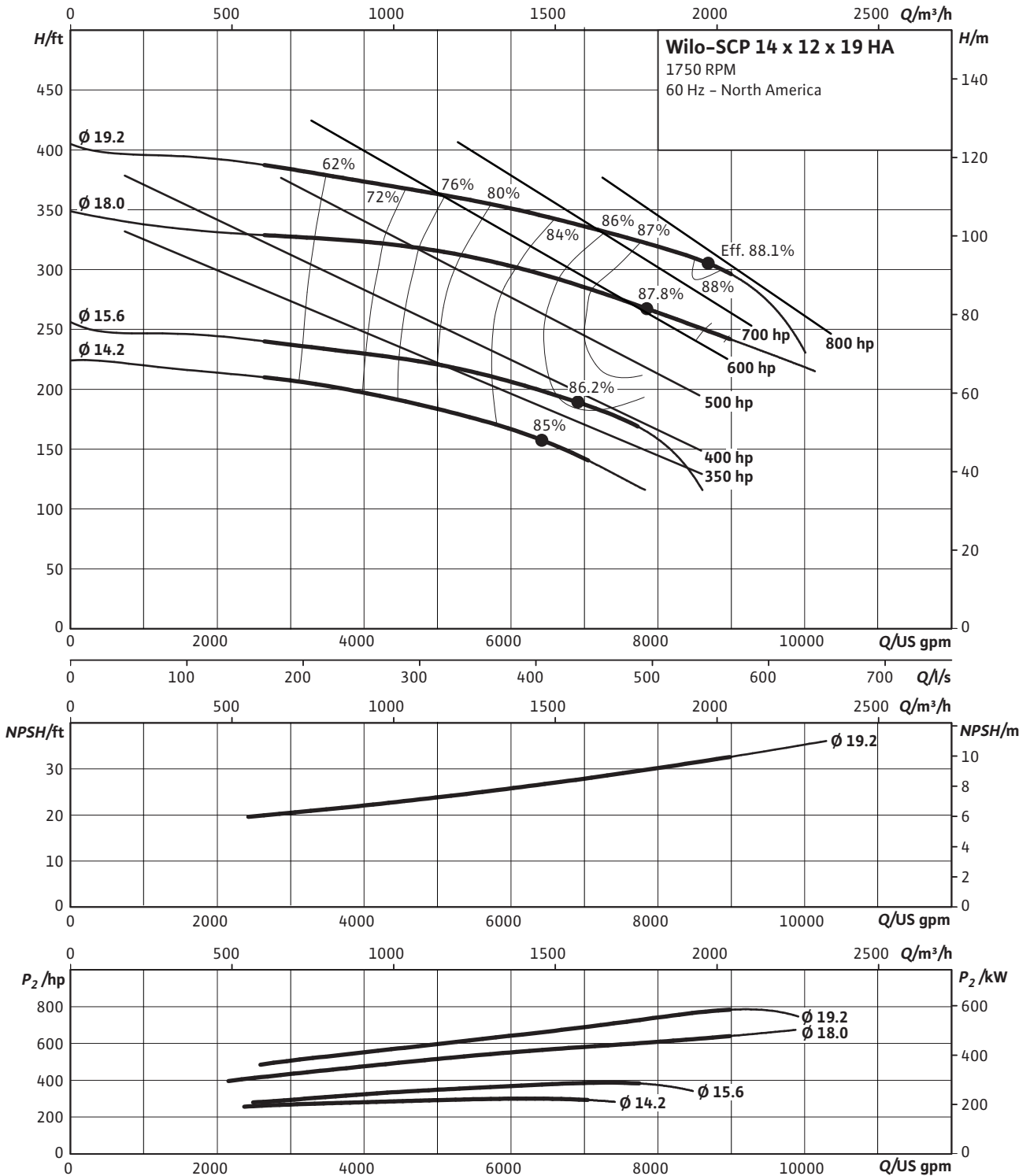
Pumps with axially split housing

Single pumps (heating, air-conditioning, cooling and industry)



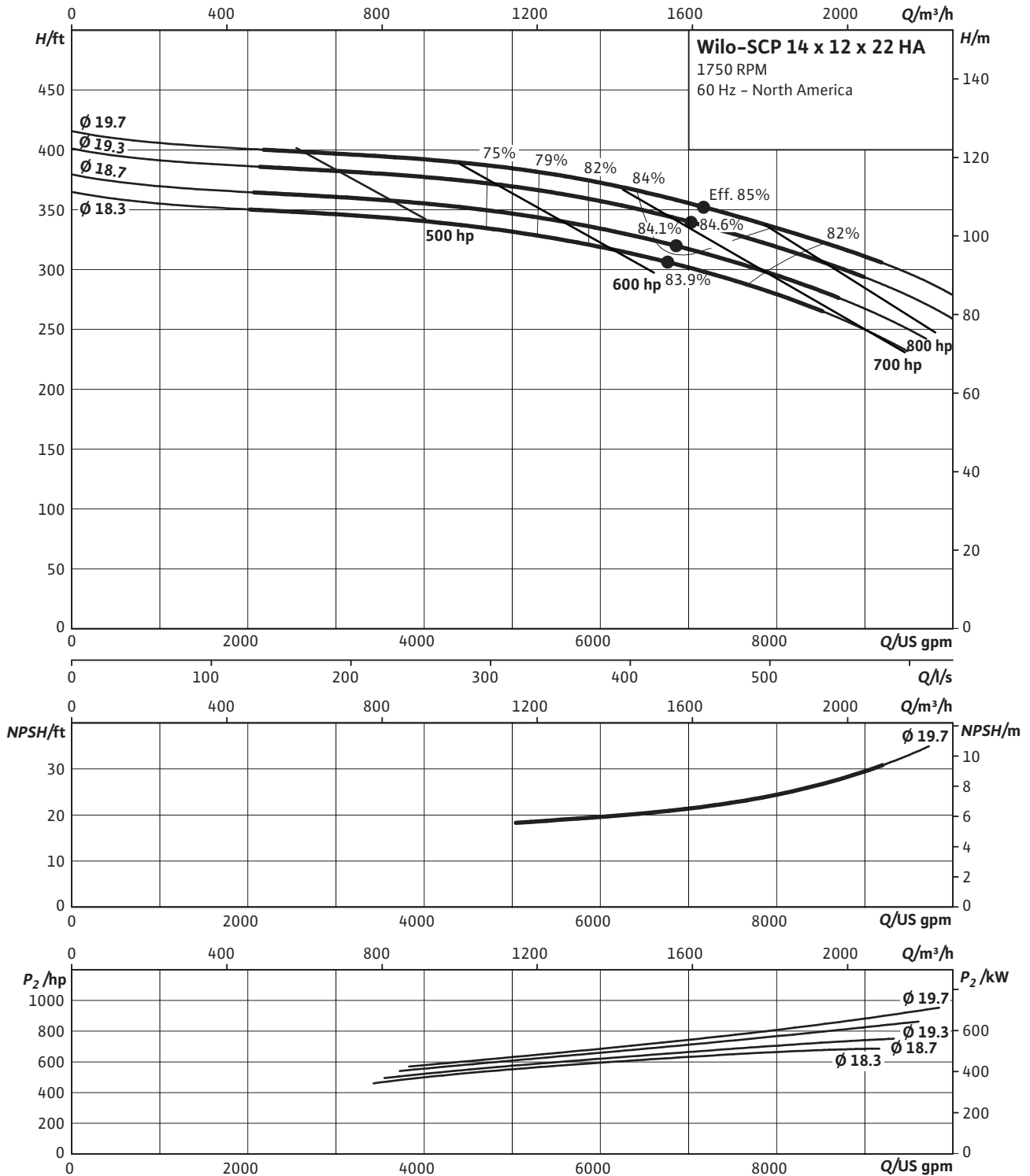
Pump curves Wilo-SCP

Wilo-SCP 14 x 12 x 19 HA



Pump curves Wilo-SCP

Wilo-SCP 14 x 12 x 22 HA



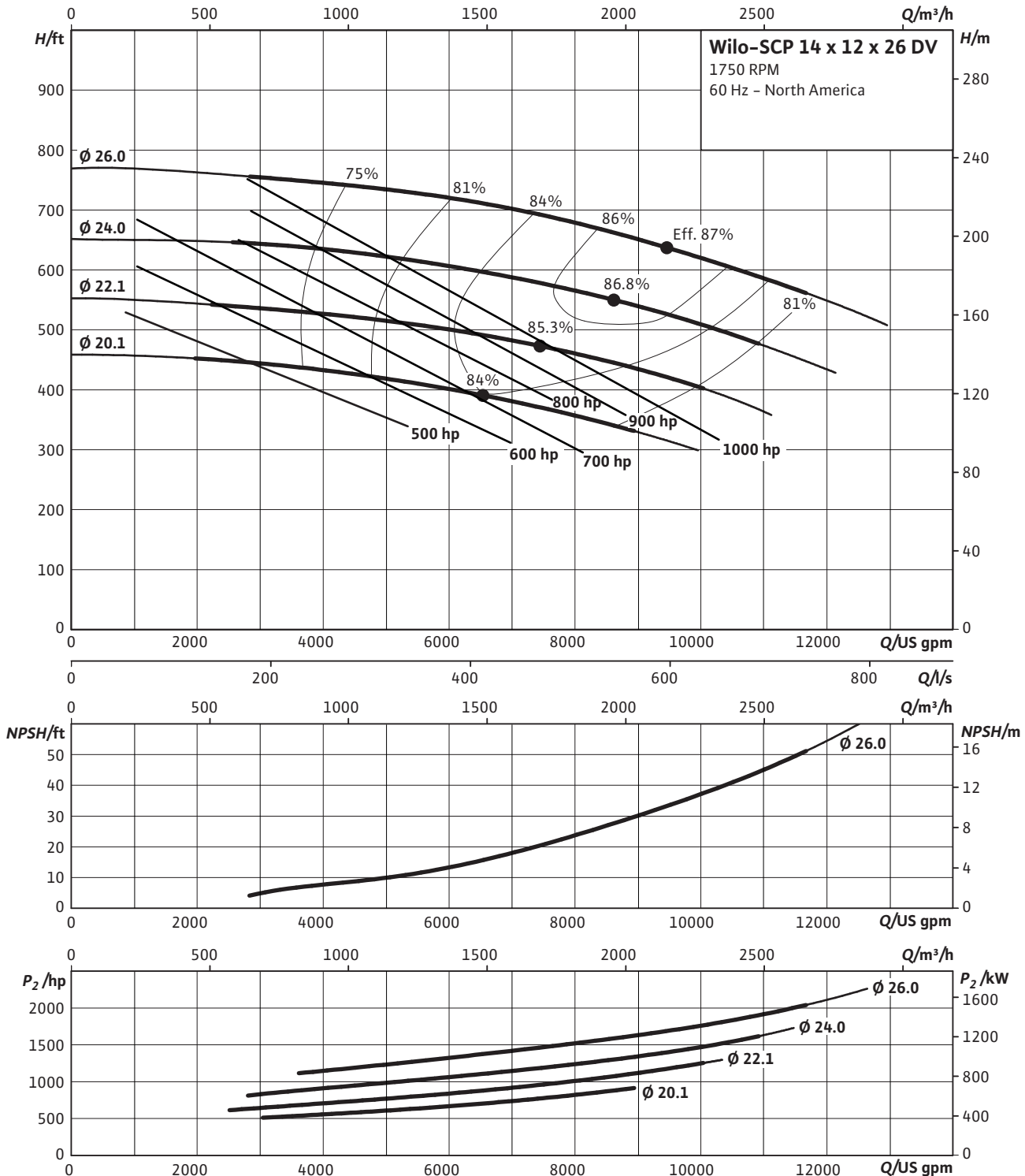
Pumps with axially split housing

Single pumps (heating, air-conditioning, cooling and industry)



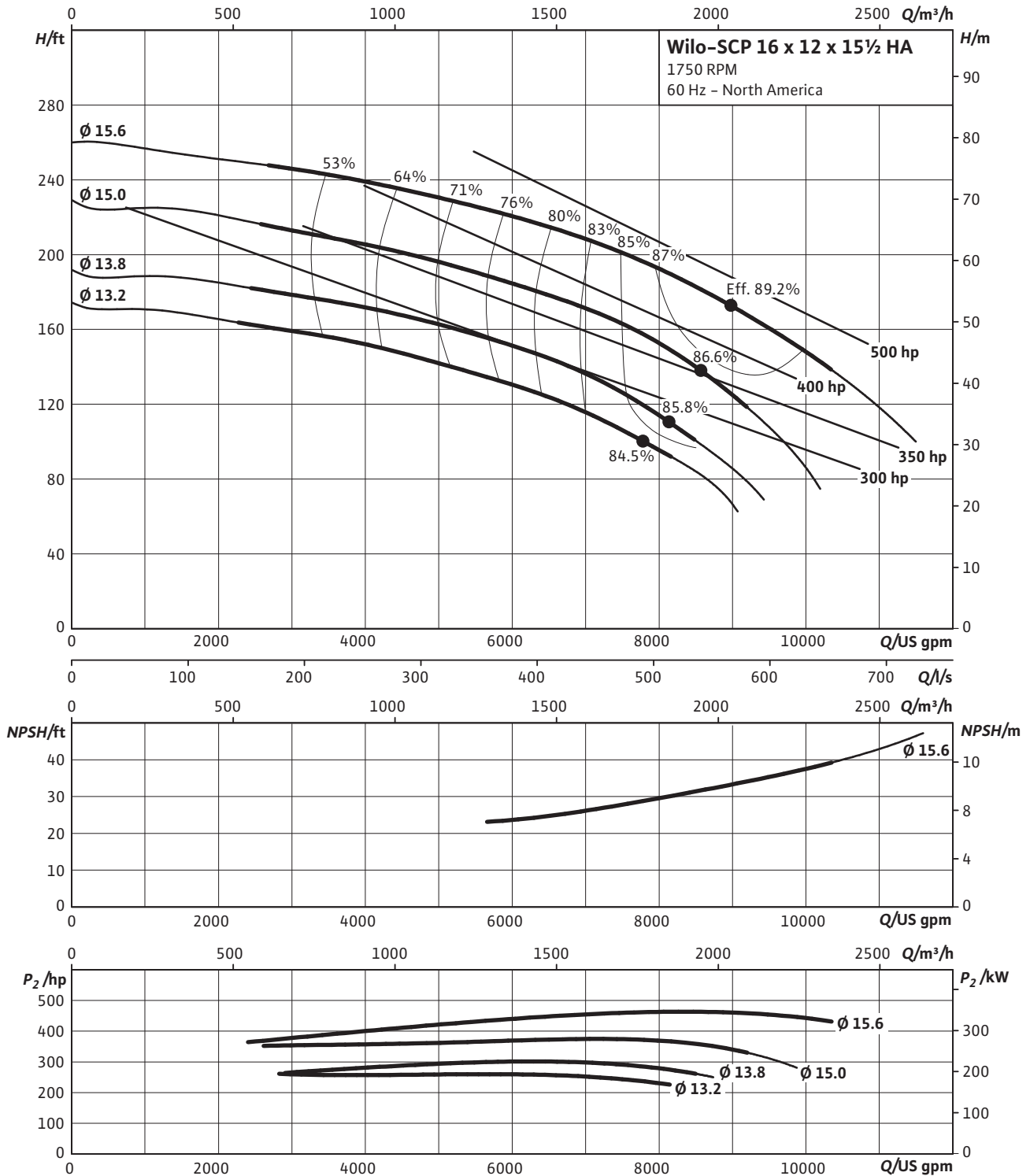
Pump curves Wilo-SCP

Wilo-SCP 14 x 12 x 26 DV



Pump curves Wilo-SCP

Wilo-SCP 16 x 12 x 15-1/2 HA



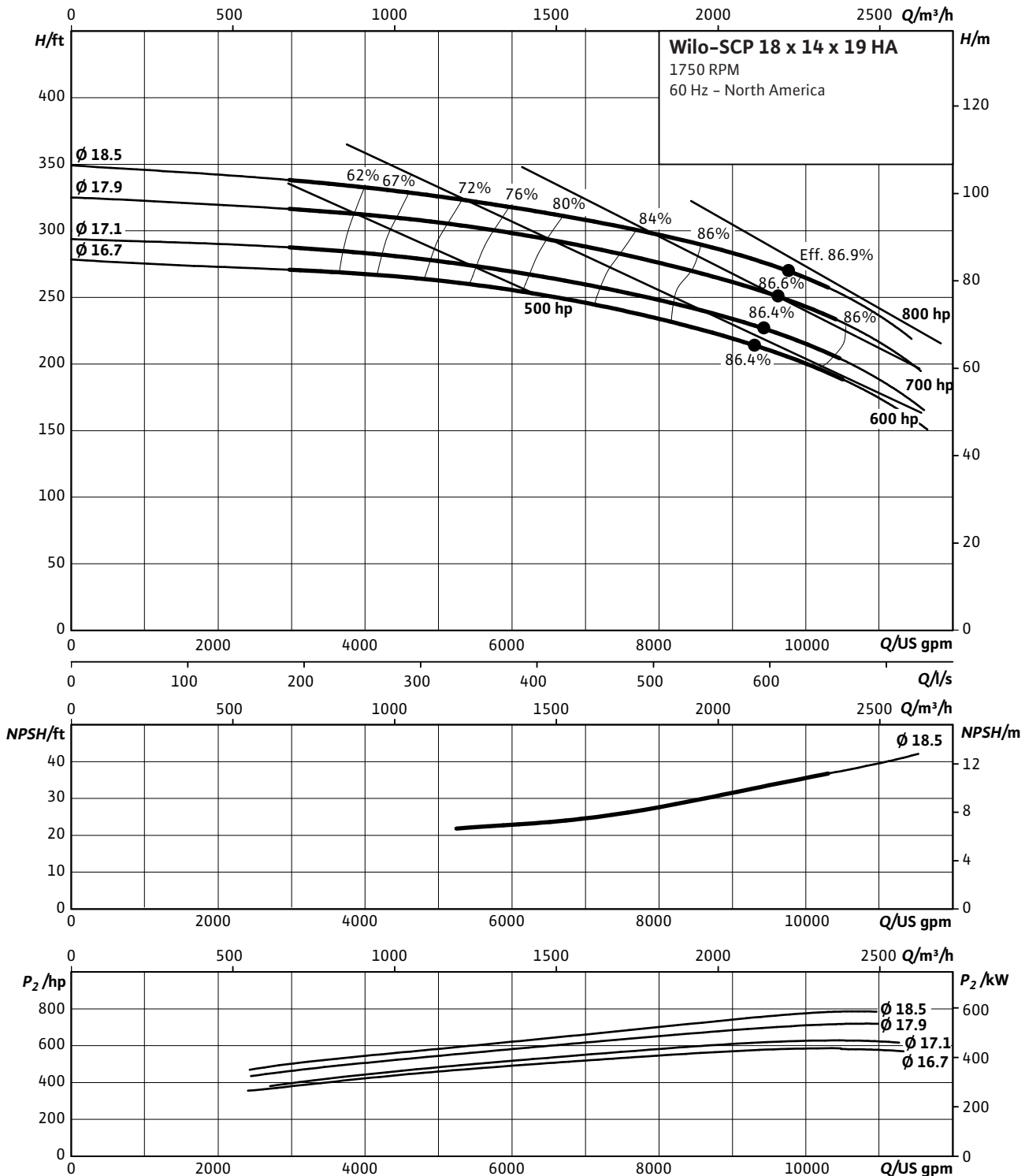
Pumps with axially split housing

Single pumps (heating, air-conditioning, cooling and industry)



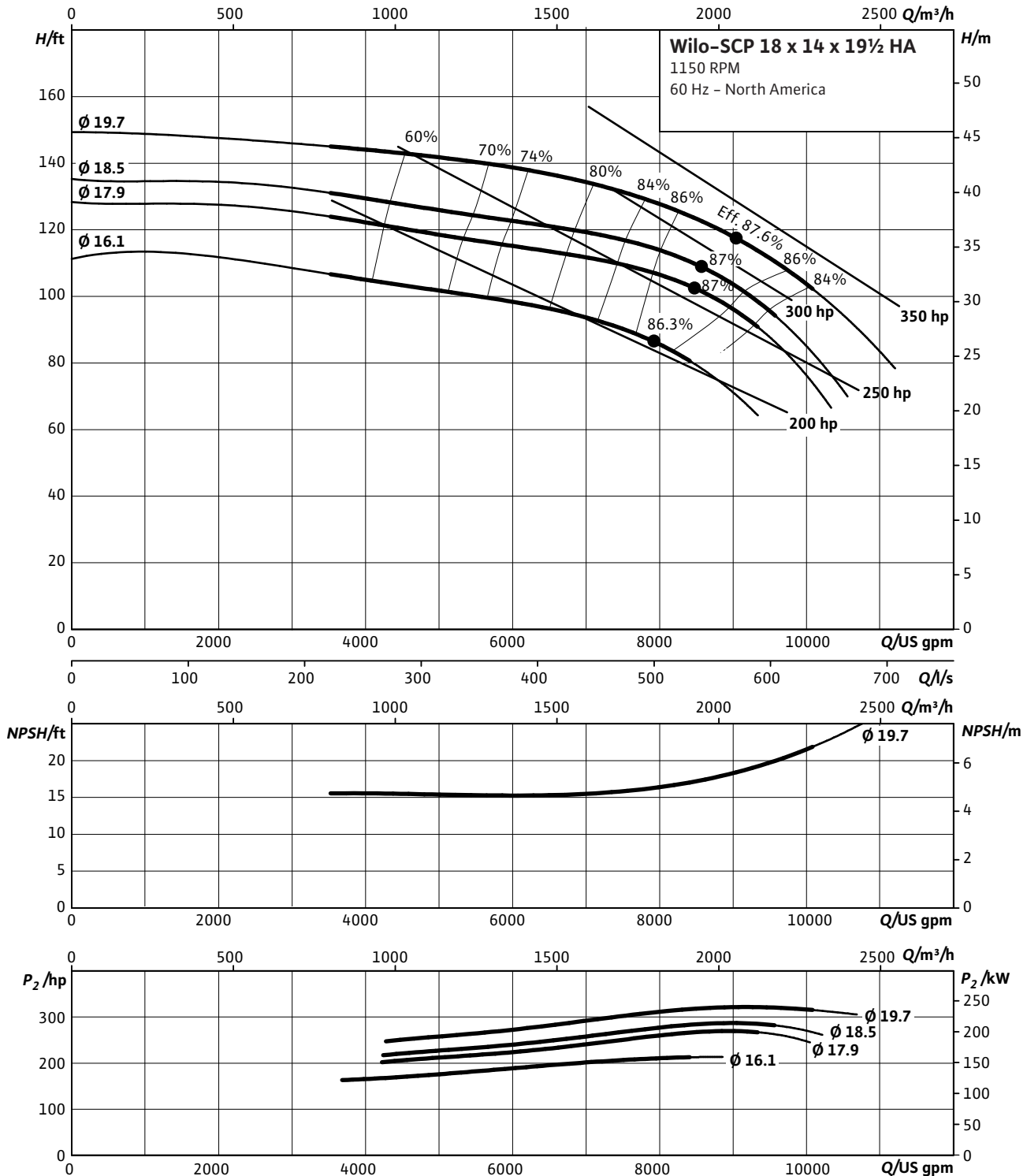
Pump curves Wilo-SCP

Wilo-SCP 18 x 14 x 19 HA



Pump curves Wilo-SCP

Wilo-SCP 18 x 14 x 19-1/2 HA



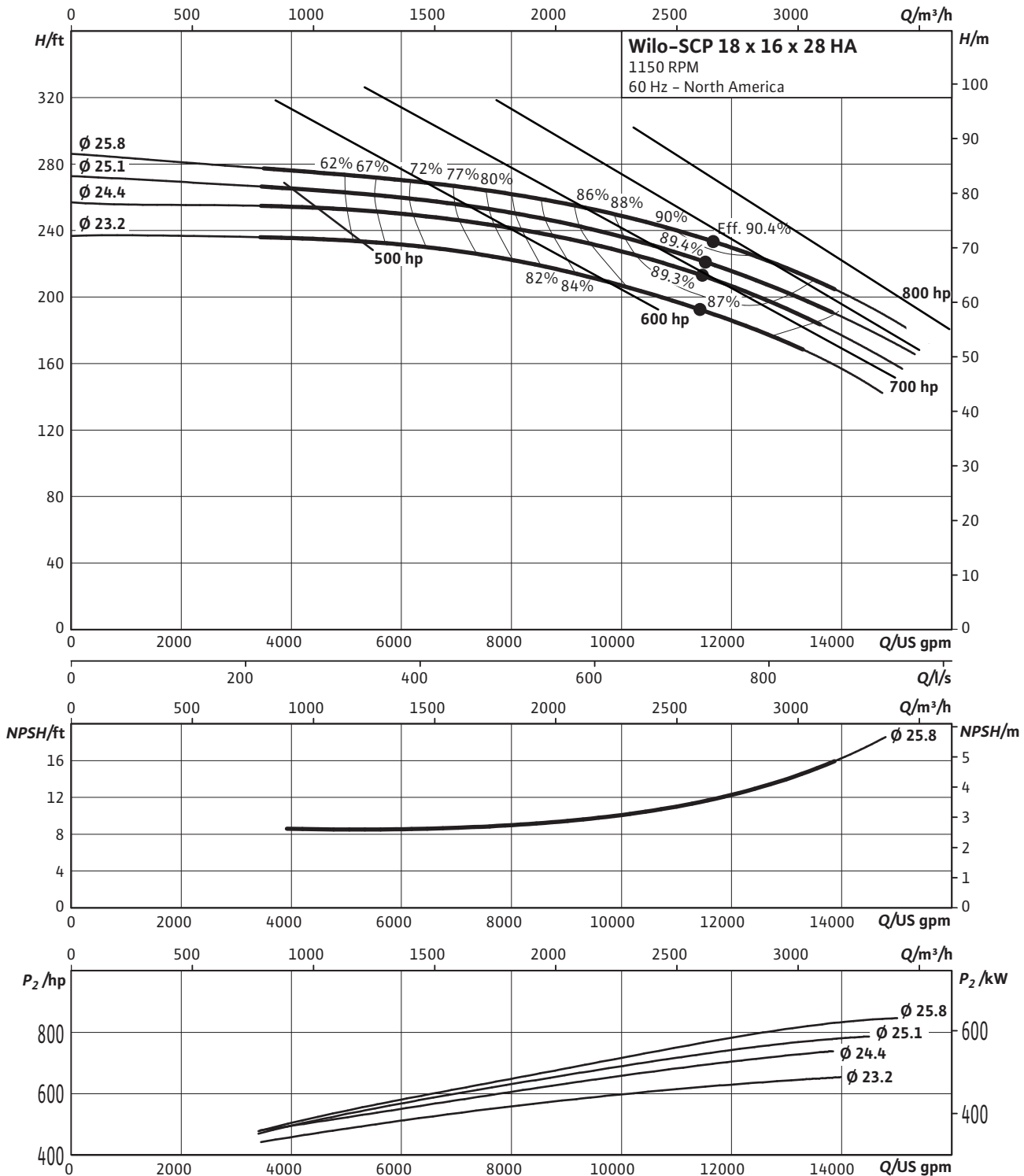
Pumps with axially split housing

Single pumps (heating, air-conditioning, cooling and industry)



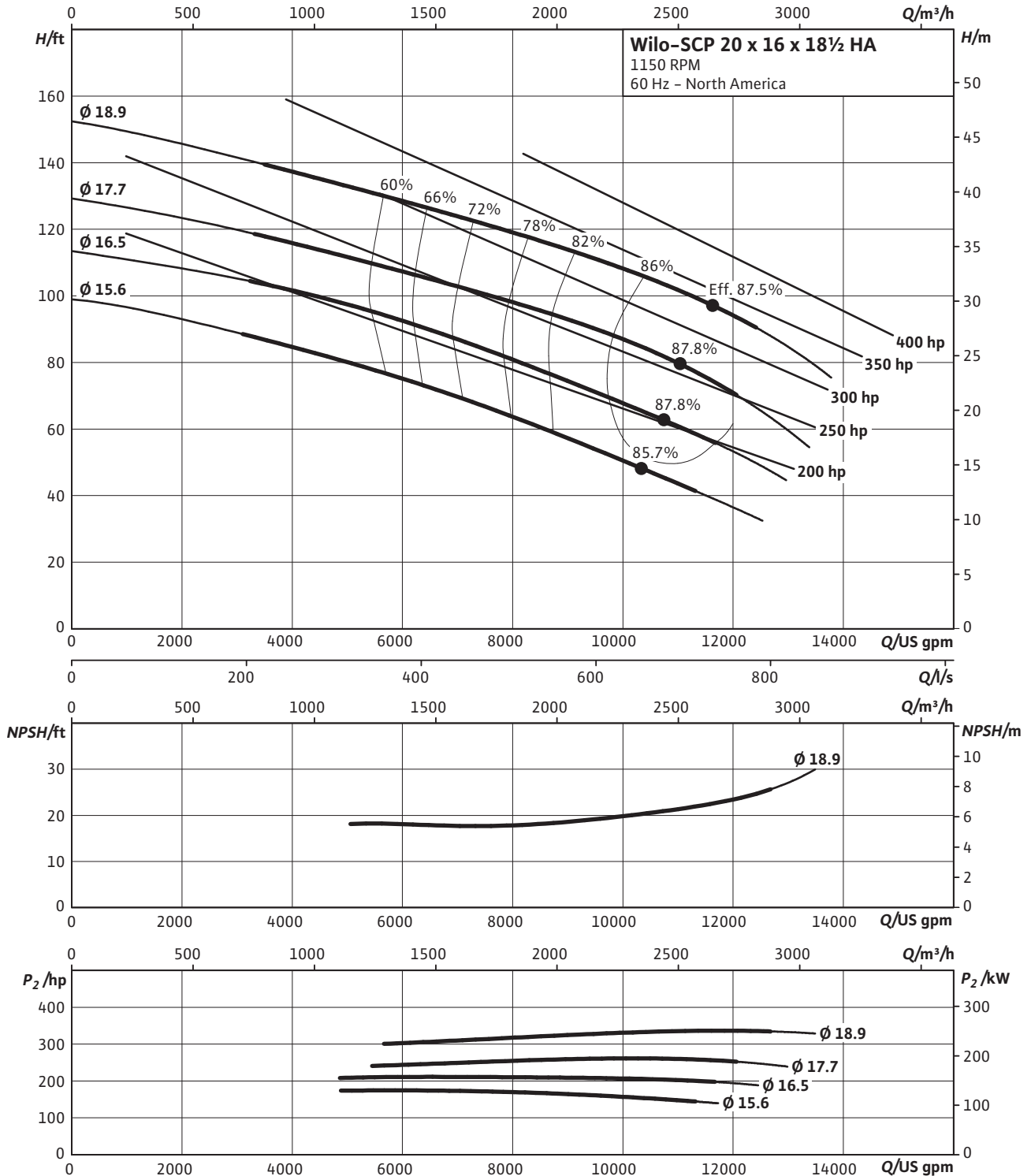
Pump curves Wilo-SCP

Wilo-SCP 18 x 16 x 28 HA



Pump curves Wilo-SCP

Wilo-SCP 20 x 16 x 18 - 1/2 HA



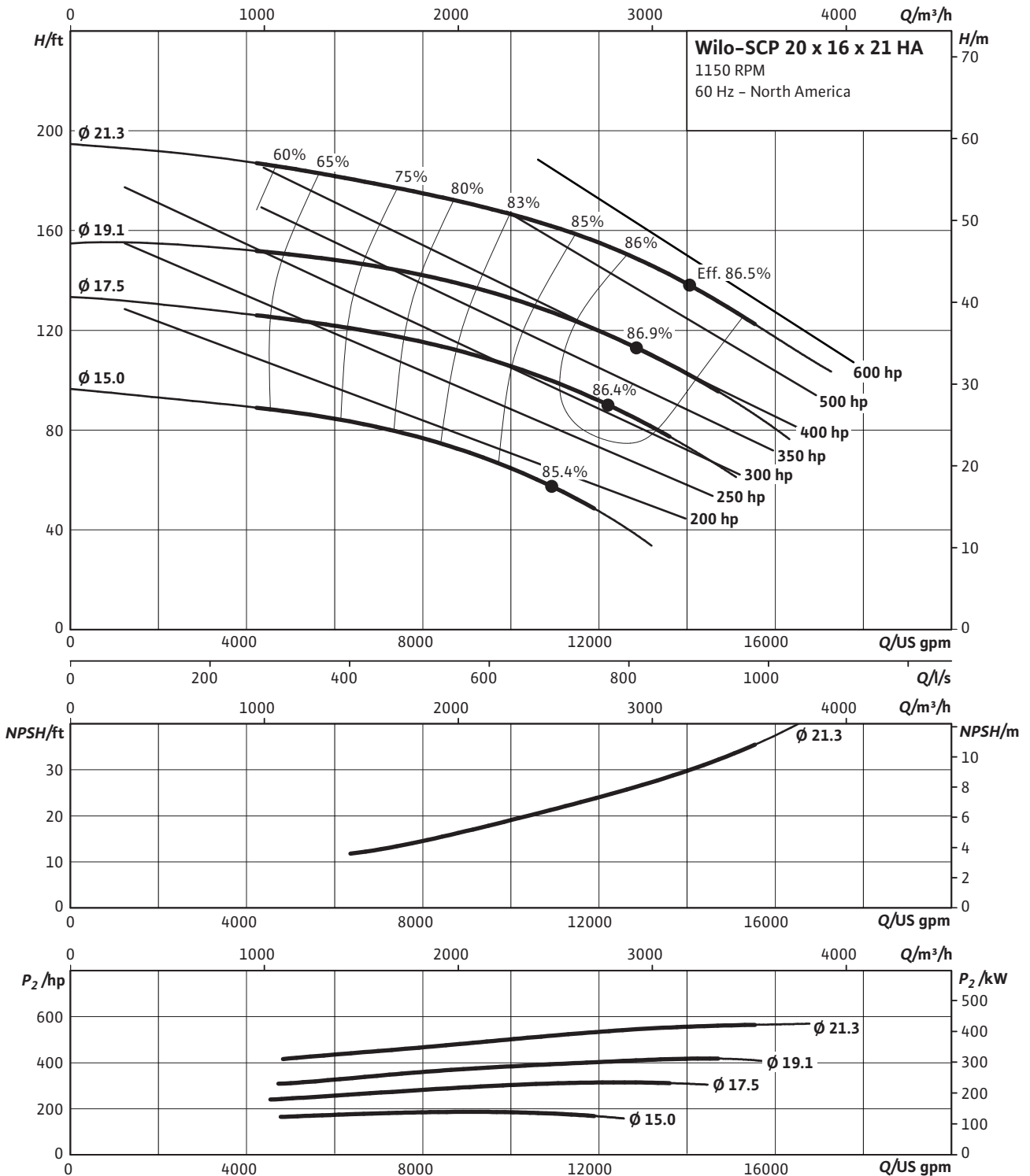
Pumps with axially split housing

Single pumps (heating, air-conditioning, cooling and industry)



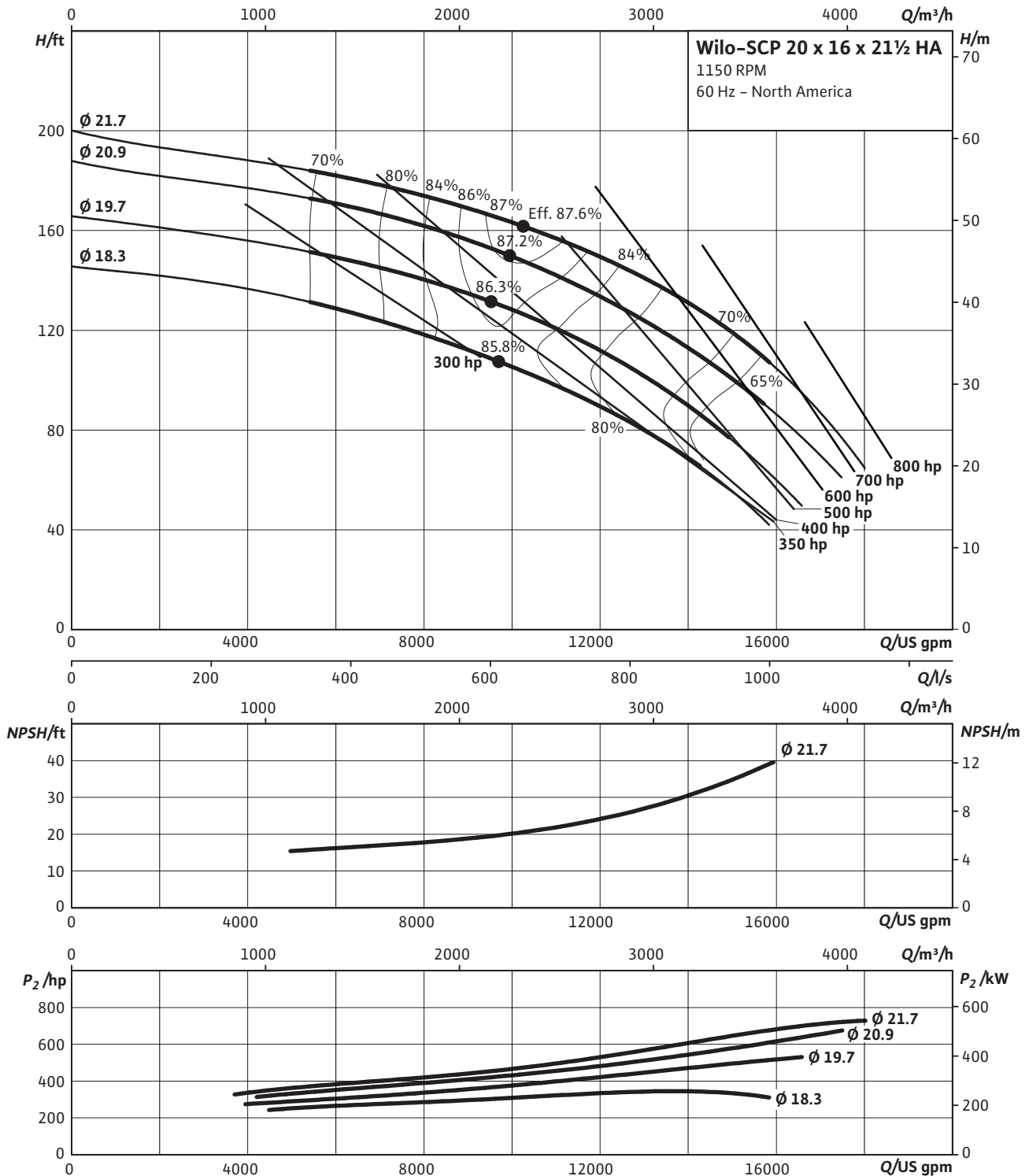
Pump curves Wilo-SCP

Wilo-SCP 20 x 16 x 21 HA



Pump curves Wilo-SCP

Wilo-SCP 20 x 16 x 21 - 1/2 HA



Pumps with axially split housing

Single pumps (heating, air-conditioning, cooling and industry)



Terminal diagram, motor data Wilo-SCP

Motor data

Power consumption [hp] P ₂	Power consumption	Number of poles	Nominal speed	Rated voltage	Motor housing	Nominal current	Power factor	Efficiency	Weight Motor								
	P ₂								–	n	U	–	I _N	cos φ	η _M	M	
	[kW]								–	[rpm]	[V]	[–]	[A]	–		[lbs]	[kg]
1.5	1.1	4	1760	208-230/460	145T	2.09	0.76	0.885	40	18							
2	1.5	4	1750	208-230/460	145T	3.15	0.71	0.84	42	19							
3	2.2	4	1725	208-230/460	182T	4	0.8	0.865	59	27							
5	3.7	4	1750	208-230/460	184T	6.9	0.78	0.875	70	32							
7.5	5.6	4	1770	230/460	213T	9.6	0.79	0.917	117	53							
10	7.5	4	1765	208-230/460	215T	13.4	0.78	0.895	110	50							
15	11.2	4	1760	208-230/460	254T	19	0.81	0.91	187	85							
20	14.9	4	1765	230/460	256T	23.5	0.86	0.93	237	108							
25	18.6	4	1770	230/460	284T	30	0.83	0.941	330	150							
30	22.4	4	1770	230/460	286T	35	0.85	0.941	372	169							
40	29.8	4	1770	208-230/460	324T	49	0.82	0.93	354	161							
50	37.3	4	1775	230/460	326T	57	0.87	0.95	472	214							
60	44.7	4	1775	230/460	364T	68	0.87	0.95	698	317							
75	55.9	4	1780	230/460	365T	86	0.86	0.954	808	367							
100	74.6	4	1775	230/460	404T	119	0.84	0.941	797	362							
125	93.2	4	1775	460	405T	143	0.86	0.954	1238	562							
150	111.9	4	1780	460	444T	170	0.86	0.958	1405	637							
200	149.1	4	1780	460	445T	226	0.87	0.958	1496	679							
250	186.4	4	1780	460	445T	291	0.85	0.95	1511	685							
300	223.7	4	1780	460	445T	346	0.85	0.95	1528	693							
350	261	4	1780	460	449T	382	0.892	0.962	2039	925							
400	298.3	4	1780	460	449T	437	0.89	0.962	2059	934							

Motor data

Power consumption [hp] P ₂	Power consumption	Number of poles	Nominal speed	Rated voltage	Motor housing	Nominal current	Power factor	Efficiency	Weight Motor								
	P ₂								–	n	U	–	I _N	cos φ	η _M	M	
	[kW]								–	[rpm]	[V]	[–]	[A]	–		[lbs]	[kg]
200	149.1	6	1185	460	445T	239	0.83	0.945	1522	690							

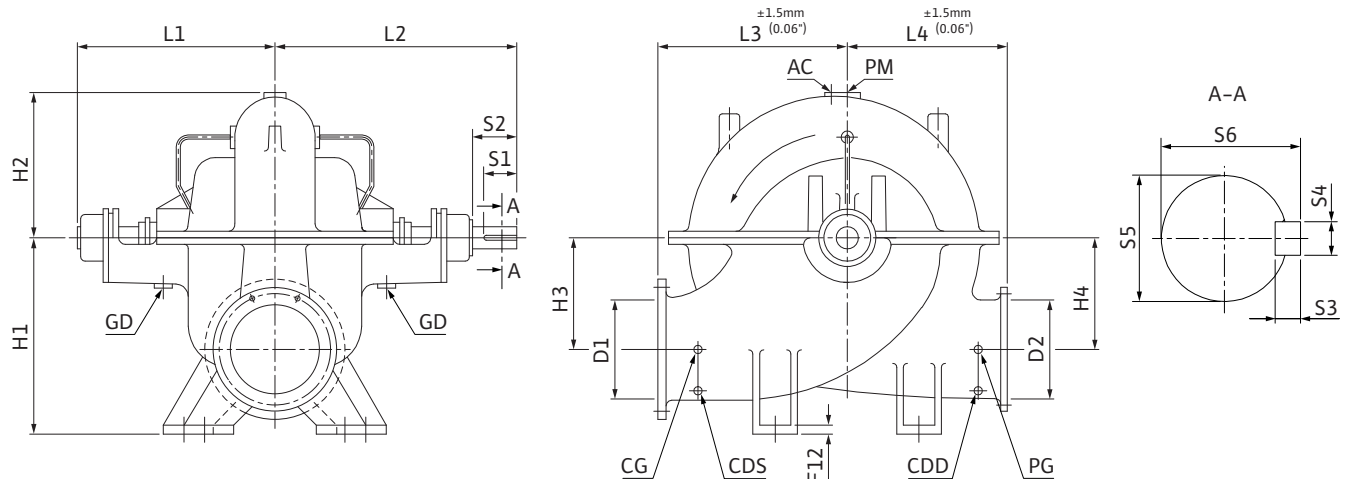
Pumps with axially split housing

Single pumps (heating, air-conditioning, cooling and industry)



Dimensions, weights Wilo-SCP

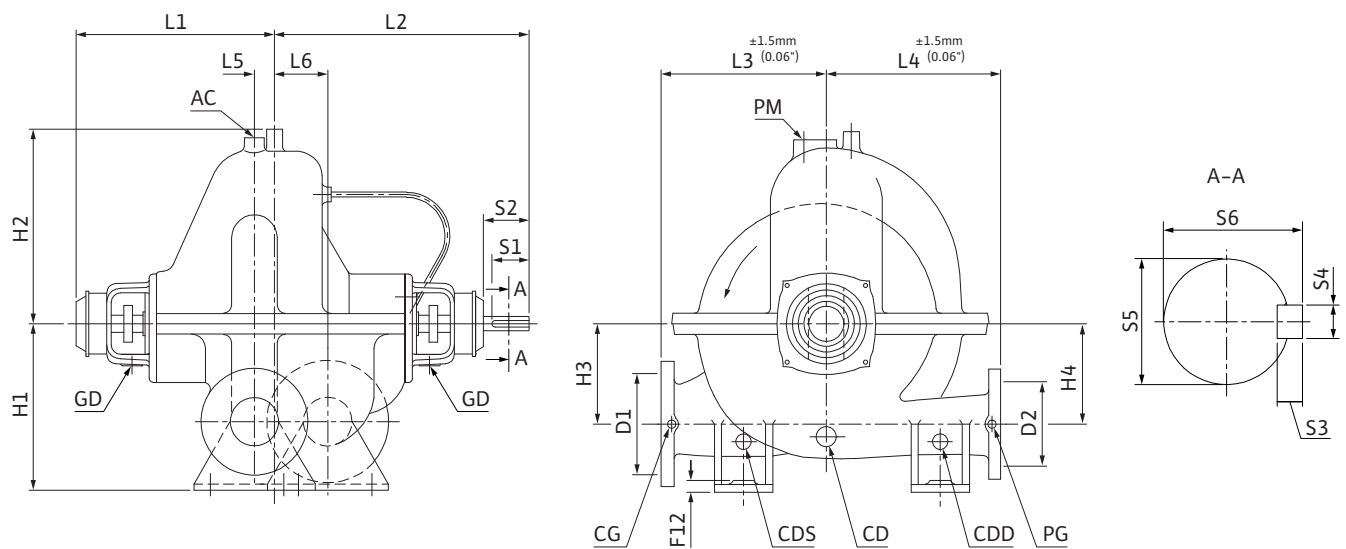
Dimension drawing: A - Pump with bare shaft end, single-stage version



- CG Pressure sensor connection (on suction side)
- PG Pressure sensor connection (on the pressure side)
- PM Filling unit
- AC Ventilation cock

- CDS Drainage screw (on suction side)
- CDD Drainage screw (on pressure side)
- GD Drain for leakage fluid

Dimension drawing: B - Pump with bare shaft end, two-stage version

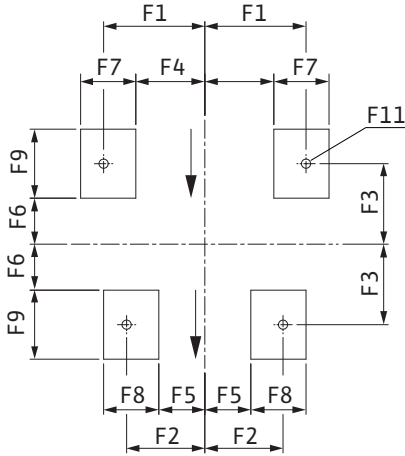


- CG Pressure sensor connection (on suction side)
- PG Pressure sensor connection (on the pressure side)
- PM Filling unit
- AC Ventilation cock

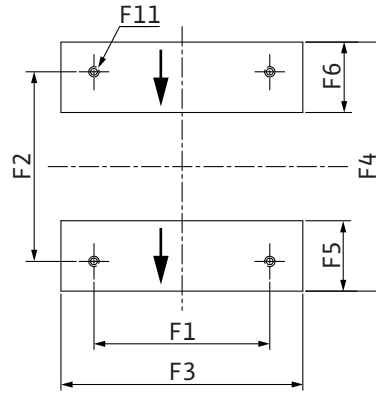
- CDS Drainage screw (on suction side)
- CDD Drainage screw (on pressure side)
- CD Drainage screw (central; only double stage pumps)
- GD Drain for leakage fluid

Dimensions, weights Wilo-SCP

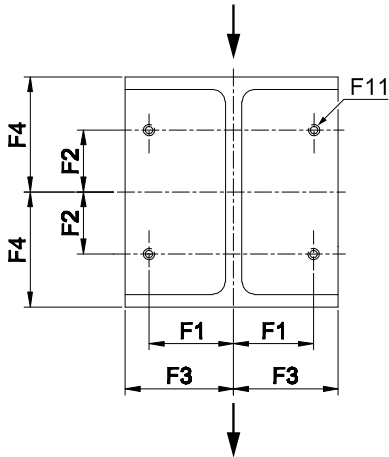
Dimension drawing: A1 - Plan of pump feet



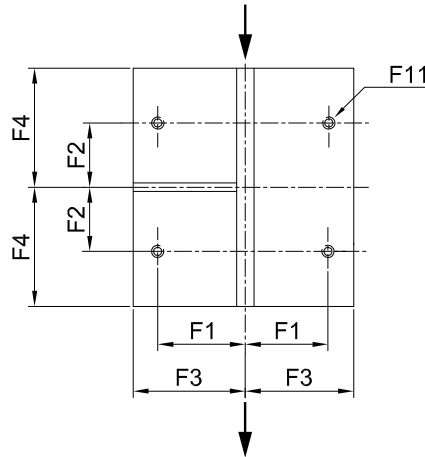
Dimension drawing: A2 - Plan of pump feet



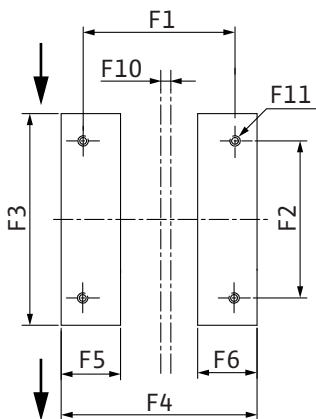
Dimension drawing: A3 - Plan of pump feet



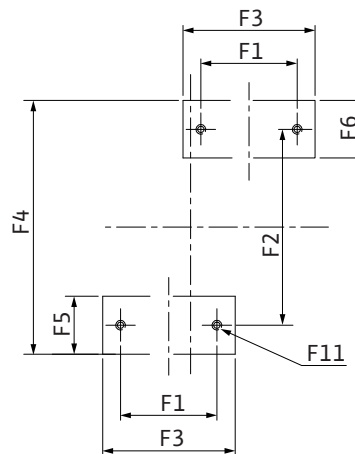
Dimension drawing: A4 - Plan of pump feet



Dimension drawing: B1 - Plan of pump feet



Dimension drawing: B2 - Plan of pump feet



Dimensions, weights Wilo-SCP

Pumps with axially split housing

Single pumps (heating, air-conditioning, cooling and industry)



Dimensions, weights Wilo-SCP

Dimensions, weights of bare-shaft pump (US units)

Wilo-SCP...	Nominal diameter		Flanges		Dimensions															
	D ₁	D ₂	PN ₁	PN ₂	H ₁	H ₂	H ₃	H ₄	L ₁	L ₂	L ₃	L ₄	L ₅	L ₆	S ₁	S ₂	S ₃	S ₄	S ₅	S ₆
	[inch]		[#]		[in.]															
2-1/2 x 2 x 8-1/2 HA	2 1/2	2	125	125	7 7/8	5 5/8	4 7/8	4 7/8	9 13/16	11 13/16	7 1/2	5 7/8	-	-	1 3/4	1 15/16	1/4	1/4	3/4	7/8
3 x 2 x 7 HA	3	2	125	125	7 7/8	5 5/16	4 5/8	4 5/8	11 9/16	14 1/2	7 7/8	6 11/16	-	-	1 3/4	2 15/16	1/4	1/4	3/4	7/8
3 x 2 x 13 HA	3	2	125	125	9 13/16	8 3/8	7	7 9/16	12 3/16	15 3/16	10 1/4	8 9/16	-	-	1 3/4	2 15/16	1/4	1/4	3/4	7/8
3 x 2 x 13 DS	3	2	125	125	11 7/16	8 7/8	6 5/8	7 5/16	13 7/16	16 7/16	11 13/16	8 7/16	1 11/16	4 5/8	1 3/4	2 7/8	1/4	5/16	15 1/16	11 1/16
3 x 2-1/2 x 15 HS	3	2 1/2	125	125	11	9 1/16	7 1/2	8 7/16	11 7/16	15 5/16	11 13/16	9 13/16	-	-	1 13/16	3	1/4	5/16	15 1/16	1 1/16
4 x 3 x 7-1/2 HA	4	3	125	125	9 13/16	6 7/8	5 5/16	5 5/16	12 11/16	15 11/16	8 7/8	7 1/2	-	-	1 3/4	3	1/4	5/16	15 1/16	1 1/16
4 x 3 x 9 HA	4	3	125	125	9 13/16	6 1/2	5 3/4	5 3/4	13 5/16	15 11/16	8 7/8	7 1/2	-	-	1 3/4	3	1/4	5/16	15 1/16	1 1/16
4 x 3 x 13 HA	4	3	125	125	11 13/16	8 7/8	7 7/8	7 7/8	13 5/16	15 11/16	10 13/16	9 1/16	-	-	1 3/4	3	1/4	5/16	15 1/16	1 1/16
4 x 3 x 14 DS	4	3	125	125	12 5/16	12 5/8	7 9/16	7 9/16	14 3/4	17 11/16	11	10 7/16	1 3/8	3 3/8	2 3/4	2 15/16	1/4	5/16	1 1/8	1 1/4
4 x 3 x 15 DS	4	3	125	125	13 3/8	9 13/16	7 9/16	8 3/16	15 1/16	18 3/16	13 3/16	9 1/2	2 1/16	5 7/16	1 13/16	1 15/16	1/4	5/16	1 1/8	1 3/16
5 x 4 x 10-1/2 HA	5	4	125	125	10 5/8	7 13/16	6 1/2	6 1/2	13 5/16	15 11/16	11 1/4	9 1/16	-	-	1 3/4	3	1/4	5/16	15 1/16	1 1/16
5 x 4 x 11 HA	5	4	125	125	10 5/8	7 1/2	6 7/8	6 7/8	13 5/16	15 11/16	11 13/16	9 13/16	-	-	1 3/4	3	1/4	5/16	15 1/16	1 1/16
5 x 4 x 14 HA	5	4	125	125	12 5/8	9 5/8	8 7/8	8 7/8	13 5/16	15 11/16	13 3/4	10 13/16	-	-	1 3/4	3	1/4	5/16	15 1/16	1 1/16
5 x 4 x 15-1/2 HA	5	4	125	125	12 5/8	9 5/8	8 7/8	8 7/8	13 5/16	15 11/16	13 3/4	10 13/16	-	-	1 3/4	3	1/4	5/16	15 1/16	1 1/16
5 x 4 x 16 DS	5	4	125	125	13 3/4	14 3/8	8 11/16	8 11/16	16 3/4	20 1/16	12 5/8	11 13/16	1 9/16	4	3 1/8	3 1/2	5/16	3/8	15 1/16	1 7/16
6 x 5 x 11 HA	6	5	125	125	12 5/8	9 7/16	8 3/8	8 3/8	15 3/16	18 3/16	13 3/4	10 13/16	-	-	3 1/4	3 7/16	1/4	5/16	1 1/8	1 1/4
6 x 5 x 12-1/2 HA	6	5	125	125	12 5/8	9 7/16	8 3/8	8 3/8	15 3/16	18 3/16	13 3/4	11 1/4	-	-	3 1/4	3 7/16	1/4	5/16	1 1/8	1 1/4
6 x 5 x 18 DS	6	5	125	125	15 3/4	16 1/8	9 5/8	9 5/8	18 7/8	22 13/16	15 3/4	13 3/4	1 3/4	4 5/16	3 3/4	3 15/16	5/16	1/2	1 3/4	1 7/8
6 x 5 x 18-1/2 HA	6	5	125	125	12 5/8	9 7/16	8 3/8	8 3/8	15 3/16	18 3/16	13 3/4	15 3/4	-	-	3 1/4	3 7/16	1/4	5/16	1 1/8	1 1/4
8 x 6 x 11 HA	8	6	125	125	14 15/16	10 1/16	8 11/16	8 11/16	15 3/16	18 1/16	13 3/4	10 7/16	-	-	3 1/4	3 7/16	1/4	5/16	1 1/8	1 1/4
8 x 6 x 15 HA	8	6	125	125	13 1/2	11	9	9	16 3/16	18 11/16	16	13	-	-	3 7/16	4 1/8	5/16	1/2	1 9/16	1 5/8
8 x 6 x 17 HA	8	6	125	125	16 3/4	12	10 13/16	10 13/16	16 3/16	18 11/16	17	15	-	-	3 7/16	4 1/8	5/16	1/2	1 9/16	1 5/8
8 x 6 x 17-1/2 HA	8	6	125	125	16 3/4	12	10 13/16	10 13/16	16 3/16	18 11/16	17	15	-	-	3 7/16	4 1/8	5/16	1/2	1 9/16	1 5/8
8 x 6 x 18 DS	8	6	125	125	18 1/2	12 1/2	8 7/8	9 3/16	23 7/8	26 3/16	17 5/16	13	2 3/4	8 1/4	3 13/16	4 1/4	5/16	1/2	1 3/4	1 7/8
8 x 6 x 20-1/2 HA	8	6	125	125	18 5/16	14 9/16	12 5/8	12 5/8	19 1/8	24 1/2	17 11/16	17 5/16	-	-	4 5/16	5 7/16	3/8	5/8	2 1/8	2 5/16
8 x 8 x 12 HA	8	8	125	125	13 1/2	10 5/8	8 15/16	8 15/16	16 3/16	18 11/16	16	12 1/2	-	-	3 7/16	4 1/8	5/16	1/2	1 9/16	1 5/8
8 x 8 x 14-1/2 HA	8	8	125	125	16 15/16	12 3/16	10 5/8	10 5/8	18 1/2	22 1/16	16 9/16	13 3/4	-	-	3 3/4	4 1/8	5/16	1/2	1 9/16	1 5/8
8 x 8 x 18-1/2 HA	8	8	125	125	18 1/4	14 9/16	13 1/2	13 1/2	20 11/16	24 1/8	18 1/2	18	-	-	4 5/16	5 3/8	3/8	5/8	2 1/8	2 5/16
8 x 8 x 21-1/2 HA	8	8	125	125	18 1/4	14 9/16	13 1/2	13 1/2	20 11/16	24 1/8	18 1/2	18	-	-	4 5/16	5 3/8	3/8	5/8	2 1/8	2 5/16
10 x 8 x 12-1/2 HA	10	8	125	125	16 3/4	11 7/16	9 3/4	9 3/4	16 3/16	18 11/16	17	12 1/2	-	-	3 7/16	4 1/8	5/16	1/2	1 9/16	1 5/8
10 x 8 x 15 HA	10	8	125	125	18 1/4	12 3/8	11 1/2	11 1/2	20 11/16	24 1/8	19	15	-	-	4 5/16	5 3/8	3/8	5/8	2 1/8	2 5/16
10 x 8 x 17 HA	10	8	125	125	18 5/16	13	11 13/16	11 13/16	19 1/8	24 1/2	17 5/16	15 3/4	-	-	4 5/16	5 7/16	3/8	5/8	2 1/8	2 5/16
10 x 8 x 18 HA	10	8	125	125	18 1/4	13 3/4	11 3/4	11 3/4	20 11/16	24 1/8	19	18 1/16	-	-	4 5/16	5 3/8	3/8	5/8	2 1/8	2 5/16
10 x 8 x 22 HA	10	8	125	125	21 1/2	15 9/16	14	14	23 3/8	27 5/16	20 1/2	18 1/16	-	-	5 3/16	7 1/8	1/2	13 1/16	2 11/16	2 5/16
10 x 10 x 9-1/2 HA	10	10	125	125	16 1/8	10 7/16	8 3/4	8 3/4	15 3/16	18 5/8	14 9/16	10 1/4	-	-	3 1/4	3 7/16	1/4	5/16	1 1/8	1 1/4

- Dimensions are subject to change
- Not be used for construction purposes unless certified.

Pumps with axially split housing

Single pumps (heating, air-conditioning, cooling and industry)



Dimensions, weights Wilo-SCP

Dimensions, weights of bare-shaft pump (US units)

Wilo-SCP...	Nominal diameter		Dimensions												Weight approx. M	Dimension drawing	Plan of pump feet
	D ₁	D ₂	F ₁	F ₂	F ₃	F ₄	F ₅	F ₆	F ₇	F ₈	F ₉	F ₁₀	F ₁₁	F ₁₂			
	[inch]		[In.]														
2-1/2 x 2 x 8-1/2 HA	2 1/2	2	2 3/4	1 15/16	3 15/16	3 15/16	-	-	-	-	-	-	9/16	1/2	143	A	A4
3 x 2 x 7 HA	3	2	2 3/4	2 3/8	3 15/16	3 15/16	-	-	-	-	-	-	11/16	3/8	203	A	A3
3 x 2 x 13 HA	3	2	5 7/8	6 11/16	8 11/16	9 7/16	3 1/4	3 1/4	-	-	-	-	11/16	9/16	287	A	A2
3 x 2 x 13 DS	3	2	10	5 1/8	7 7/8	11 13/16	3 1/8	3 1/8	-	-	-	6/8	11/16	9/16	586	B	B1
3 x 2-1/2 x 15 HS	3	2 1/2	7 1/16	6 5/16	9 7/16	9 7/16	3 9/16	3 9/16	-	-	-	-	11/16	9/16	331	A	A2
4 x 3 x 7-1/2 HA	4	3	5 7/8	6 11/16	8 11/16	9 7/16	3 1/4	3 1/4	-	-	-	-	11/16	9/16	328	A	A2
4 x 3 x 9 HA	4	3	5 7/8	6 11/16	8 11/16	9 7/16	3 1/4	3 1/4	-	-	-	-	11/16	9/16	298	A	A2
4 x 3 x 13 HA	4	3	5 7/8	6 11/16	8 11/16	9 7/16	3 1/4	3 1/4	-	-	-	-	11/16	9/16	298	A	A2
4 x 3 x 14 DS	4	3	5 7/8	11 13/16	7 7/8	15 3/4	3 15/16	3 15/16	-	-	-	-	11/16	5/8	441	B	B2
4 x 3 x 15 DS	4	3	11 1/16	6 11/16	9 7/16	13 3/8	3 15/16	3 15/16	-	-	-	1 3/16	11/16	9/16	600	B	B1
5 x 4 x 10-1/2 HA	5	4	5 7/8	3 3/4	3 15/16	3 3/8	1 3/16	1 15/16	3 15/16	3 15/16	3 15/16	-	11/16	11/16	353	A	A1
5 x 4 x 11 HA	5	4	5 7/8	3 3/4	3 15/16	3 3/8	1 3/16	1 15/16	3 15/16	3 15/16	3 15/16	-	11/16	9/16	287	A	A1
5 x 4 x 14 HA	5	4	5 7/8	3 3/4	4 5/16	3 3/8	1 3/16	2 3/8	3 15/16	3 15/16	3 15/16	-	11/16	9/16	324	A	A1
5 x 4 x 15-1/2 HA	5	4	5 7/8	3 3/4	4 5/16	3 3/8	1 3/16	2 3/8	3 15/16	3 15/16	3 15/16	-	11/16	9/16	324	A	A1
5 x 4 x 16 DS	5	4	6 11/16	11 13/16	8 7/8	15 3/4	3 15/16	3 15/16	-	-	-	-	11/16	11/16	562	B	B2
6 x 5 x 11 HA	6	5	5 7/8	3 3/4	4 5/16	3 3/8	1 3/16	2 3/8	3 15/16	3 15/16	3 15/16	-	11/16	5/8	353	A	A1
6 x 5 x 12-1/2 HA	6	5	5 7/8	3 3/4	4 5/16	3 3/8	1 3/16	2 3/8	3 15/16	3 15/16	3 15/16	-	11/16	9/16	419	A	A1
6 x 5 x 18 DS	6	5	7 1/2	16 1/8	10 1/4	21 1/16	4 15/16	4 15/16	-	-	-	-	7/8	7/8	1043	B	B2
6 x 5 x 18-1/2 HA	6	5	5 7/8	3 3/4	4 5/16	3 3/8	1 3/16	2 3/8	3 15/16	3 15/16	3 15/16	-	7/8	1	1102	A	A1
8 x 6 x 11 HA	8	6	5 1/2	5 1/2	5 5/8	2 15/16	2 15/16	3 5/8	-	-	3 15/16	-	11/16	13/16	772	A	A1
8 x 6 x 15 HA	8	6	7 7/8	5 1/8	6 5/16	5 5/16	2 9/16	3 15/16	3 15/16	3 15/16	4 3/4	-	7/8	13/16	672	A	A1
8 x 6 x 17 HA	8	6	7 7/8	5 1/8	6 5/16	5 5/16	2 9/16	3 15/16	3 15/16	3 15/16	4 3/4	-	7/8	13/16	794	A	A1
8 x 6 x 17-1/2 HA	8	6	7 7/8	5 1/8	6 5/16	5 5/16	2 9/16	3 15/16	3 15/16	3 15/16	4 3/4	-	7/8	13/16	794	A	A1
8 x 6 x 18 DS	8	6	16 3/16	11	15 3/16	19 11/16	4 15/16	4 15/16	-	-	-	1 1/2	7/8	1	-	B	B1
8 x 6 x 20-1/2 HA	8	6	9 13/16	5 7/8	8 3/16	6 1/2	2 15/16	5 1/2	4 3/4	4 1/2	5 5/16	-	1 1/8	1	1250	A	A1
8 x 8 x 12 HA	8	8	7 7/8	6	6 5/16	5 5/16	3 7/16	3 15/16	3 15/16	3 15/16	4 3/4	-	7/8	13/16	756	A	A1
8 x 8 x 14-1/2 HA	8	8	7 1/16	7 1/16	7 1/16	4 1/2	4 1/2	4 1/4	3 15/16	3 15/16	4 3/4	-	7/8	1 1/8	1146	A	A1
8 x 8 x 18-1/2 HA	8	8	7 7/8	6	6 5/16	4 1/2	2 7/8	3 11/16	4 3/4	4 1/2	5 5/16	-	1	7/8	1541	A	A1
8 x 8 x 21-1/2 HA	8	8	7 7/8	6	6 5/16	4 1/2	2 7/8	3 11/16	4 3/4	4 1/2	5 5/16	-	1	7/8	1541	A	A1
10 x 8 x 12-1/2 HA	10	8	7 7/8	6	6 5/16	5 5/16	3 7/16	3 15/16	3 15/16	3 15/16	4 3/4	-	15/16	13/16	849	A	A1
10 x 8 x 15 HA	10	8	7 7/8	6	6 5/16	4 1/2	2 7/8	3 11/16	4 3/4	4 1/2	5 5/16	-	1	7/8	1276	A	A1
10 x 8 x 17 HA	10	8	7 7/8	5 7/8	8 3/16	4 3/4	2 15/16	5 1/2	4 3/4	4 1/2	5 5/16	-	1 1/8	1	1014	A	A1
10 x 8 x 18 HA	10	8	7 7/8	6	6 5/16	4 1/2	2 7/8	3 11/16	4 3/4	4 1/2	5 5/16	-	1	1	1653	A	A1
10 x 8 x 22 HA	10	8	10 13/16	7 7/8	9 1/16	6 7/8	3 15/16	6 1/8	5 7/8	5 7/8	5 7/8	-	1 1/8	1 1/8	1698	A	A1
10 x 10 x 9-1/2 HA	10	10	7 7/8	6	4 3/4	5 5/16	3 7/16	2 3/4	3 15/16	3 15/16	3 15/16	-	11/16	13/16	595	A	A1

Pumps with axially split housing

Single pumps (heating, air-conditioning, cooling and industry)



Dimensions, weights Wilo-SCP

Dimensions, weights of bare-shaft pump (US units)

Wilo-SCP...	Nominal diameter		Flanges		Dimensions															
	D ₁	D ₂	PN ₁	PN ₂	H ₁	H ₂	H ₃	H ₄	L ₁	L ₂	L ₃	L ₄	L ₅	L ₆	S ₁	S ₂	S ₃	S ₄	S ₅	S ₆
	[inch]		[#]		[in.]															
12 x 8 x 14 HB	12	8	125	125	17 ¹¹ / ₁₆	12 ⁵ / ₈	10 ⁷ / ₈	10 ⁷ / ₈	18 ⁹ / ₁₆	22 ¹ / ₁₆	18 ¹ / ₂	13 ³ / ₄	-	-	3 ³ / ₄	4 ¹ / ₈	5 ¹ / ₁₆	1 ¹ / ₂	1 ⁹ / ₁₆	1 ⁵ / ₈
12 x 10 x 14 HA	12	10	125	125	21 ¹ / ₄	13 ³ / ₈	12 ⁵ / ₈	12 ⁵ / ₈	19 ¹ / ₈	24 ¹ / ₂	20 ³ / ₈	14 ¹⁵ / ₁₆	-	-	4 ⁵ / ₁₆	5 ⁷ / ₁₆	3 ³ / ₈	5 ⁵ / ₈	2 ¹ / ₈	2 ⁵ / ₁₆
12 x 10 x 15 HA	12	10	125	125	21 ¹ / ₄	13 ³ / ₈	12 ⁵ / ₈	12 ⁵ / ₈	19 ¹ / ₈	24 ¹ / ₂	20 ³ / ₈	14 ¹⁵ / ₁₆	-	-	4 ⁵ / ₁₆	5 ⁷ / ₁₆	3 ³ / ₈	5 ⁵ / ₈	2 ¹ / ₈	2 ⁵ / ₁₆
12 x 10 x 17-1/2 HA	12	10	125	125	21 ¹ / ₂	14 ¹⁵ / ₁₆	13 ¹ / ₂	13 ¹ / ₂	23 ³ / ₈	27 ⁵ / ₁₆	21	18	-	-	5 ³ / ₁₆	6 ¹ / ₈	1 ¹ / ₂	13 ¹³ / ₁₆	2 ¹¹ / ₁₆	2 ¹⁵ / ₁₆
12 x 10 x 22 HA	12	10	125	125	21 ¹ / ₂	16 ⁵ / ₁₆	14	14	23 ³ / ₈	27 ⁵ / ₁₆	23	19 ³ / ₈	-	-	5 ³ / ₁₆	6 ¹ / ₈	1 ¹ / ₂	13 ¹³ / ₁₆	2 ¹¹ / ₁₆	2 ¹⁵ / ₁₆
12 x 10 x 27-1/2 DV	12	10	125	125	24 ¹ / ₂	18 ³ / ₄	16	16	27 ¹¹ / ₁₆	32 ¹ / ₂	25	22	-	-	5 ³ / ₄	6 ⁵ / ₈	9 ¹ / ₁₆	7 ⁷ / ₈	3 ¹ / ₈	3 ³ / ₈
12 x 10 x 29-1/2 DV	12	10	125	125	24 ¹ / ₂	18 ³ / ₄	16	16	27 ¹¹ / ₁₆	32 ¹ / ₂	25	22	-	-	5 ³ / ₄	6 ⁵ / ₈	9 ¹ / ₁₆	7 ⁷ / ₈	3 ¹ / ₈	3 ³ / ₈
14 x 12 x 19 HA	14	12	125	125	23 ¹ / ₄	15 ¹⁵ / ₁₆	13 ¹ / ₂	13 ¹ / ₂	23 ³ / ₈	27 ⁵ / ₁₆	23 ¹ / ₁₆	19	-	-	5 ³ / ₁₆	6 ¹ / ₈	1 ¹ / ₂	13 ¹³ / ₁₆	2 ¹¹ / ₁₆	2 ¹⁵ / ₁₆
14 x 12 x 22 HA	14	12	125	125	23 ¹ / ₄	17 ⁵ / ₁₆	14 ⁷ / ₈	14 ⁷ / ₈	23 ³ / ₈	27 ⁵ / ₁₆	24 ³ / ₄	21	-	-	5 ³ / ₁₆	6 ¹ / ₈	1 ¹ / ₂	13 ¹³ / ₁₆	2 ¹¹ / ₁₆	2 ¹⁵ / ₁₆
14 x 12 x 26 DV	14	12	125	125	28 ⁹ / ₁₆	18 ⁵ / ₁₆	17 ¹ / ₂	17 ¹ / ₂	25 ⁵ / ₈	32 ¹¹ / ₁₆	26	24	-	-	5 ³ / ₄	7	9 ¹ / ₁₆	1	3 ¹ / ₂	3 ¹¹ / ₁₆
16 x 12 x 15-1/2 HA	16	12	125	125	24	15 ³ / ₈	13 ³ / ₄	13 ³ / ₄	21 ¹ / ₈	26 ⁵ / ₁₆	21 ⁵ / ₈	13 ³ / ₄	-	-	4 ⁵ / ₁₆	5 ⁷ / ₁₆	3 ³ / ₈	5 ⁵ / ₈	2 ¹ / ₈	2 ⁵ / ₁₆
18 x 14 x 19 HA	18	14	125	125	26	16 ³ / ₄	14 ³ / ₁₆	14 ³ / ₁₆	22 ¹ / ₄	27 ⁵ / ₁₆	24 ⁵ / ₈	20 ⁷ / ₈	-	-	5 ¹ / ₈	5 ⁹ / ₁₆	1 ¹ / ₂	13 ¹³ / ₁₆	2 ¹¹ / ₁₆	2 ¹⁵ / ₁₆
18 x 14 x 19-1/2 HA	18	14	125	125	28 ³ / ₄	18 ⁷ / ₈	17 ¹¹ / ₁₆	17 ¹¹ / ₁₆	23 ⁷ / ₁₆	28 ⁹ / ₁₆	30 ¹ / ₄	21 ⁵ / ₈	-	-	5 ¹ / ₈	5 ⁹ / ₁₆	1 ¹ / ₂	13 ¹³ / ₁₆	2 ¹¹ / ₁₆	2 ¹⁵ / ₁₆
18 x 16 x 28 HA	18	16	125	125	31 ¹ / ₂	22 ¹³ / ₁₆	20 ¹ / ₂	20 ¹ / ₂	27 ¹¹ / ₁₆	32 ¹ / ₂	34	30	-	-	5 ³ / ₄	6 ⁵ / ₈	9 ¹ / ₁₆	7 ⁷ / ₈	3 ¹ / ₈	3 ³ / ₈
20 x 16 x 18-1/2 HA	20	16	125	125	30 ¹¹ / ₁₆	20 ¹ / ₂	17 ¹ / ₂	17 ¹ / ₂	23 ¹¹ / ₁₆	29 ¹ / ₄	31 ¹ / ₈	21 ⁷ / ₁₆	-	-	5 ¹ / ₈	5 ⁹ / ₁₆	1 ¹ / ₂	13 ¹³ / ₁₆	2 ¹¹ / ₁₆	2 ¹⁵ / ₁₆
20 x 16 x 21 HA	20	16	125	125	17 ⁵ / ₁₆	19 ⁵ / ₁₆	16 ⁷ / ₈	16 ⁷ / ₈	24 ⁵ / ₈	30 ⁷ / ₈	25	17	-	-	5 ³ / ₁₆	6 ⁵ / ₁₆	1 ¹ / ₂	13 ¹³ / ₁₆	2 ¹¹ / ₁₆	2 ¹⁵ / ₁₆
20 x 16 x 21-1/2 HA	20	16	125	125	30 ¹¹ / ₁₆	19 ¹ / ₂	18 ¹ / ₂	18 ¹ / ₂	26 ¹ / ₄	32 ¹¹ / ₁₆	29 ¹⁵ / ₁₆	22 ¹ / ₁₆	-	-	5 ³ / ₄	7	9 ¹ / ₁₆	7 ⁷ / ₈	3 ¹ / ₈	3 ⁵ / ₁₆

- Dimensions are subject to change
- Not to be used for construction purposes unless certified.

Pumps with axially split housing

Single pumps (heating, air-conditioning, cooling and industry)



Dimensions, weights Wilo-SCP

Dimensions, weights of bare-shaft pump (US units)

Wilo-SCP...	Nominal diameter		Dimensions												Weight approx.	Dimension drawing	Plan of pump feet		
	D ₁	D ₂	F ₁	F ₂	F ₃	F ₄	F ₅	F ₆	F ₇	F ₈	F ₉	F ₁₀	F ₁₁	F ₁₂				M	-
	[inch]		[in.]												[lbs]	-	-		
12 x 8 x 14 HB	12	8	7 ⁷ / ₈	6	6 ¹¹ / ₁₆	5 ⁵ / ₁₆	3 ⁷ / ₁₆	4 ³ / ₄	3 ¹⁵ / ₁₆	3 ¹⁵ / ₁₆	4 ³ / ₄	4 ³ / ₄	5 ⁵ / ₁₆	-	1 ⁵ / ₁₆	1 ³ / ₁₆	1014	A	A1
12 x 10 x 14 HA	12	10	9 ¹³ / ₁₆	6 ⁷ / ₈	6 ⁵ / ₁₆	6 ¹ / ₂	3 ⁹ / ₁₆	3 ¹¹ / ₁₆	4 ³ / ₄	4 ³ / ₄	5 ⁵ / ₁₆	5 ⁵ / ₁₆	-	1 ⁵ / ₁₆	1 ³ / ₁₆	1190	A	A1	
12 x 10 x 15 HA	12	10	9 ¹³ / ₁₆	6 ⁷ / ₈	6 ⁵ / ₁₆	6 ¹ / ₂	3 ⁹ / ₁₆	3 ¹¹ / ₁₆	4 ³ / ₄	4 ³ / ₄	5 ⁵ / ₁₆	5 ⁵ / ₁₆	-	1 ⁵ / ₁₆	1 ³ / ₁₆	1190	A	A1	
12 x 10 x 17-1/2 HA	12	10	10 ¹³ / ₁₆	7 ⁷ / ₈	9 ¹ / ₁₆	6 ⁷ / ₈	3 ¹⁵ / ₁₆	6 ¹ / ₈	5 ⁷ / ₈	5 ⁷ / ₈	5 ⁷ / ₈	5 ⁷ / ₈	-	1 ¹ / ₈	1 ¹ / ₈	1997	A	A1	
12 x 10 x 22 HA	12	10	10 ¹³ / ₁₆	7 ⁷ / ₈	9 ¹ / ₁₆	6 ⁷ / ₈	3 ¹⁵ / ₁₆	6 ¹ / ₈	5 ⁷ / ₈	5 ⁷ / ₈	5 ⁷ / ₈	5 ⁷ / ₈	-	1 ¹ / ₈	1 ¹ / ₈	2150	A	A1	
12 x 10 x 27-1/2 DV	12	10	10 ⁵ / ₈	6 ¹¹ / ₁₆	10 ⁵ / ₈	7 ⁷ / ₈	3 ¹⁵ / ₁₆	7 ¹ / ₁₆	4 ³ / ₄	4 ³ / ₄	7 ¹ / ₁₆	7 ¹ / ₁₆	-	1 ¹ / ₈	1 ³ / ₁₆	3263	A	A1	
12 x 10 x 29-1/2 DV	12	10	10 ⁵ / ₈	6 ¹¹ / ₁₆	10 ⁵ / ₈	7 ⁷ / ₈	3 ¹⁵ / ₁₆	7 ¹ / ₁₆	4 ³ / ₄	4 ³ / ₄	7 ¹ / ₁₆	7 ¹ / ₁₆	-	1 ¹ / ₈	1 ³ / ₁₆	3263	A	A1	
14 x 12 x 13 HB	14	12	9 ¹³ / ₁₆	6 ⁷ / ₈	6 ⁵ / ₁₆	6 ¹ / ₂	3 ⁹ / ₁₆	3 ¹¹ / ₁₆	4 ³ / ₄	4 ³ / ₄	5 ⁵ / ₁₆	5 ⁵ / ₁₆	-	1 ¹ / ₈	1 ³ / ₁₆	1329	A	A1	
14 x 12 x 15 HA	14	12	10 ¹ / ₄	6	6 ⁵ / ₁₆	6 ¹ / ₂	2 ⁷ / ₈	3 ¹¹ / ₁₆	4 ³ / ₄	4 ¹ / ₂	5 ⁵ / ₁₆	5 ⁵ / ₁₆	-	1	1	2240	A	A1	
14 x 12 x 19 HA	14	12	11 ¹³ / ₁₆	9 ¹³ / ₁₆	9 ¹ / ₁₆	7 ⁷ / ₈	5 ⁷ / ₈	6 ¹ / ₈	5 ⁷ / ₈	5 ⁷ / ₈	5 ⁷ / ₈	5 ⁷ / ₈	-	1 ¹ / ₈	1 ¹ / ₈	2447	A	A1	
14 x 12 x 22 HA	14	12	11 ¹³ / ₁₆	9 ¹³ / ₁₆	9 ¹ / ₁₆	7 ⁷ / ₈	5 ⁷ / ₈	6 ¹ / ₈	5 ⁷ / ₈	5 ⁷ / ₈	5 ⁷ / ₈	5 ⁷ / ₈	-	1 ¹ / ₈	1 ¹ / ₈	2767	A	A1	
14 x 12 x 26 DV	14	12	7 ⁷ / ₈	7 ⁷ / ₈	12 ³ / ₁₆	3 ¹⁵ / ₁₆	3 ¹⁵ / ₁₆	8 ¹ / ₄	5 ⁷ / ₈	5 ⁷ / ₈	7 ⁷ / ₈	7 ⁷ / ₈	-	1 ¹ / ₈	1 ³ / ₁₆	3395	A	A1	
16 x 12 x 15-1/2 HA	16	12	10 ¹ / ₄	7 ⁷ / ₈	6 ⁷ / ₈	6 ⁵ / ₁₆	3 ¹⁵ / ₁₆	3 ¹⁵ / ₁₆	5 ⁷ / ₈	5 ⁷ / ₈	5 ⁷ / ₈	5 ⁷ / ₈	-	1 ¹ / ₈	1	1940	A	A1	
18 x 14 x 19 HA	18	14	13 ³ / ₈	8 ¹¹ / ₁₆	10 ¹⁵ / ₁₆	9 ⁷ / ₁₆	4 ³ / ₄	7 ¹ / ₂	5 ⁷ / ₈	5 ⁷ / ₈	6 ⁷ / ₈	6 ⁷ / ₈	-	1 ¹ / ₈	1 ³ / ₁₆	2535	A	A1	
18 x 14 x 19-1/2 HA	18	14	13 ³ / ₈	9 ¹³ / ₁₆	11 ¹⁵ / ₁₆	9 ⁷ / ₁₆	5 ⁷ / ₈	8 ⁷ / ₁₆	5 ⁷ / ₈	5 ⁷ / ₈	6 ⁷ / ₈	6 ⁷ / ₈	-	1 ¹ / ₈	1 ³ / ₁₆	2480	A	A1	
18 x 16 x 28 HA	18	16	14 ¹⁵ / ₁₆	8 ¹¹ / ₁₆	15 ³ / ₄	11	4 ³ / ₄	11 ¹³ / ₁₆	5 ⁷ / ₈	5 ⁷ / ₈	7 ⁷ / ₈	7 ⁷ / ₈	-	1 ¹ / ₄	1 ³ / ₁₆	5545	A	A1	
20 x 16 x 18-1/2 HA	20	16	17 ¹¹ / ₁₆	8 ¹¹ / ₁₆	11 ¹³ / ₁₆	13 ³ / ₄	4 ³ / ₄	7 ⁷ / ₈	5 ⁷ / ₈	5 ⁷ / ₈	7 ⁷ / ₈	7 ⁷ / ₈	-	1 ¹ / ₈	1 ¹ / ₈	2500	A	A1	
20 x 16 x 21 HA	20	16	36 ⁵ / ₈	14 ¹⁵ / ₁₆	21 ¹ / ₄	40 ¹⁵ / ₁₆	4 ¹⁵ / ₁₆	4 ¹⁵ / ₁₆	-	-	-	-	-	1 ¹ / ₄	1 ³ / ₁₆	3086	A	B1	
20 x 16 x 21-1/2 HA	20	16	17 ¹¹ / ₁₆	8 ¹¹ / ₁₆	11 ¹³ / ₁₆	13 ³ / ₄	4 ³ / ₄	7 ⁷ / ₈	5 ⁷ / ₈	5 ⁷ / ₈	7 ⁷ / ₈	7 ⁷ / ₈	-	1 ¹ / ₄	1 ¹ / ₄	3203	A	A1	

Pumps with axially split housing

Single pumps (heating, air-conditioning, cooling and industry)



Dimensions, weights Wilo-SCP

Dimensions, weights of bare-shaft pump (SI units)

Wilo-SCP...	Nominal diameter		Flanges		Dimensions															
	D ₁	D ₂	PN ₁	PN ₂	H ₁	H ₂	H ₃	H ₄	L ₁	L ₂	L ₃	L ₄	L ₅	L ₆	S ₁	S ₂	S ₃	S ₄	S ₅	S ₆
	[inch]		[#]		[mm]															
2-1/2 x 2 x 8-1/2 HA	2 1/2	2	125	125	200	143	124	124	250	300	190	150	-	-	45	50	6	6	20	22
3 x 2 x 7 HA	3	2	125	125	200	135	117	117	294	369	200	170	-	-	45	75	6	6	20	22
3 x 2 x 13 HA	3	2	125	125	250	214	178	192	310	385	261	218	-	-	45	75	6	6	20	22
3 x 2 x 13 DS	3	2	16	16	290	225	168	185	341	417	300	215	43	118	45	73	7	8	24	27
3 x 2-1/2 x 15 HS	3	2 1/2	125	125	280	230	190	215	290	389	300	250	-	-	46	76	7	8	24	27
4 x 3 x 7-1/2 HA	4	3	125	125	250	155	135	135	323	399	225	190	-	-	45	76	7	8	24	27
4 x 3 x 9 HA	4	3	125	125	250	165	146	146	338	399	225	190	-	-	45	76	7	8	24	27
4 x 3 x 13 HA	4	3	125	125	300	225	200	200	338	399	275	230	-	-	45	76	7	8	24	27
4 x 3 x 14 DS	4	3	125	125	310	320	192	192	375	450	280	265	35	85	70	75	7	8	29	32
4 x 3 x 15 DS	4	3	125	125	340	250	192	208	383	459	335	242	53	139	46	50	7	8	28	30
5 x 4 x 10-1/2 HA	5	4	125	125	270	198	165	165	338	399	285	230	-	-	45	76	7	8	24	27
5 x 4 x 11 HA	5	4	125	125	270	190	175	175	338	399	300	250	-	-	45	76	7	8	24	27
5 x 4 x 14 HA	5	4	125	125	320	245	225	225	338	399	350	275	-	-	45	76	7	8	24	27
5 x 4 x 15-1/2 HA	5	4	125	125	320	245	225	225	338	399	350	275	-	-	45	76	7	8	24	27
5 x 4 x 16 DS	5	4	125	125	350	365	220	220	425	510	320	300	40	102	80	89	8	10	34	37
6 x 5 x 11 HA	6	5	125	125	320	240	213	213	385	458	350	275	-	-	82	88	7	8	29	32
6 x 5 x 12-1/2 HA	6	5	125	125	320	240	213	213	385	458	350	286	-	-	82	88	7	8	29	32
6 x 5 x 18 DS	6	5	125	125	400	410	245	245	480	580	400	350	45	110	95	100	8	12	44	47
6 x 5 x 18-1/2 HA	6	5	125	125	320	240	213	213	385	458	350	400	-	-	82	88	7	8	29	32
8 x 6 x 11 HA	8	6	125	125	380	255	220	220	385	458	350	265	-	-	82	88	7	8	29	32
8 x 6 x 15 HA	8	6	125	125	343	280	229	229	411	474	406	330	-	-	88	104	8	12	39	42
8 x 6 x 17 HA	8	6	125	125	426	305	274	274	411	474	432	381	-	-	88	104	8	12	39	42
8 x 6 x 17-1/2 HA	8	6	125	125	426	305	274	274	411	474	432	381	-	-	88	104	8	12	39	42
8 x 6 x 18 DS	8	6	125	125	470	317	225	250	607	665	440	330	70	210	97	108	8	12	44	47
8 x 6 x 20-1/2 HA	8	6	125	125	465	370	320	320	485	623	450	440	-	-	109	138	10	16	54	58
8 x 8 x 12 HA	8	8	125	125	343	270	227	227	411	474	407	318	-	-	88	104	8	12	39	42
8 x 8 x 14-1/2 HA	8	8	125	125	430	310	270	270	470	560	420	350	-	-	95	104	8	12	39	42
8 x 8 x 18-1/2 HA	8	8	125	125	464	370	343	343	525	612	470	457	-	-	109	137	10	16	54	59
8 x 8 x 21-1/2 HA	8	8	125	125	464	370	343	343	525	612	470	457	-	-	109	137	10	16	54	59
10 x 8 x 12-1/2 HA	10	8	125	125	426	290	248	248	411	474	432	318	-	-	88	104	8	12	39	42
10 x 8 x 15 HA	10	8	125	125	464	315	292	292	525	612	483	381	-	-	109	137	10	16	54	59
10 x 8 x 17 HA	10	8	125	125	465	330	300	300	485	623	440	400	-	-	109	138	10	16	54	58
10 x 8 x 18 HA	10	8	125	125	464	350	299	299	525	612	483	458	-	-	109	137	10	16	54	59
10 x 8 x 22 HA	10	8	125	125	546	395	356	356	594	693	521	458	-	-	132	181	12	20	69	74
10 x 10 x 9-1/2 HA	10	10	125	125	410	265	222	222	385	473	370	260	-	-	82	88	7	8	29	32

- Dimensions are subject to change
- Not be used for construction purposes unless certified.

Pumps with axially split housing

Single pumps (heating, air-conditioning, cooling and industry)



Dimensions, weights Wilo-SCP

Dimensions, weights of bare-shaft pump (SI units)

Wilo-SCP...	Nominal diameter		Dimensions												Weight approx.	Dimension drawing	Plan of pump feet
	D ₁	D ₂	F ₁	F ₂	F ₃	F ₄	F ₅	F ₆	F ₇	F ₈	F ₉	F ₁₀	F ₁₁	F ₁₂	M	–	–
	[inch]		[mm]												[kg]	–	–
2-1/2 x 2 x 8-1/2 HA	2 1/2	2	70	50	100	100	–	–	–	–	–	–	14	12	65	A	A4
3 x 2 x 7 HA	3	2	70	60	100	100	–	–	–	–	–	–	18	10	92	A	A3
3 x 2 x 13 HA	3	2	150	170	220	240	82	82	–	–	–	–	18	15	130	A	A2
3 x 2 x 13 DS	3	2	254	130	200	300	80	80	–	–	–	20	18	15	266	B	B1
3 x 2-1/2 x 15 HS	3	2 1/2	180	160	240	240	90	90	–	–	–	–	18	15	150	A	A2
4 x 3 x 7-1/2 HA	4	3	150	170	220	240	82	82	–	–	–	–	18	15	149	A	A2
4 x 3 x 9 HA	4	3	150	170	220	240	82	82	–	–	–	–	18	15	135	A	A2
4 x 3 x 13 HA	4	3	150	170	220	240	82	82	–	–	–	–	18	15	135	A	A2
4 x 3 x 14 DS	4	3	150	300	200	400	100	100	–	–	–	–	18	16	200	B	B2
4 x 3 x 15 DS	4	3	290	170	240	340	100	100	–	–	–	30	18	15	272	B	B1
5 x 4 x 10-1/2 HA	5	4	150	95	100	85	30	50	100	100	100	–	18	18	160	A	A1
5 x 4 x 11 HA	5	4	150	95	100	85	30	50	100	100	100	–	18	14	130	A	A1
5 x 4 x 14 HA	5	4	150	95	110	85	30	60	100	100	100	–	18	14	147	A	A1
5 x 4 x 15-1/2 HA	5	4	150	95	110	85	30	60	100	100	100	–	18	14	147	A	A1
5 x 4 x 16 DS	5	4	170	300	225	400	100	100	–	–	–	–	18	18	255	B	B2
6 x 5 x 11 HA	6	5	150	95	110	85	30	60	100	100	100	–	18	16	160	A	A1
6 x 5 x 12-1/2 HA	6	5	150	95	110	85	30	60	100	100	100	–	18	14	190	A	A1
6 x 5 x 18 DS	6	5	190	410	260	535	125	125	–	–	–	–	22	22	473	B	B2
6 x 5 x 18-1/2 HA	6	5	150	95	110	85	30	60	100	100	100	–	22	25	500	A	A1
8 x 6 x 11 HA	8	6	140	140	143	75	75	93	–	–	100	–	18	20	350	A	A1
8 x 6 x 15 HA	8	6	200	130	160	135	65	100	100	100	120	–	22	20	305	A	A1
8 x 6 x 17 HA	8	6	200	130	160	135	65	100	100	100	120	–	22	20	360	A	A1
8 x 6 x 17-1/2 HA	8	6	200	130	160	135	65	100	100	100	120	–	22	20	360	A	A1
8 x 6 x 18 DS	8	6	420	280	385	500	125	125	–	–	–	4018	22	25	–	B	B1
8 x 6 x 20-1/2 HA	8	6	250	150	208	165	75	140	120	115	135	–	28	25	567	A	A1
8 x 8 x 12 HA	8	8	200	152	160	135	87	100	100	100	120	–	22	20	343	A	A1
8 x 8 x 14-1/2 HA	8	8	180	180	180	115	115	120	100	100	120	–	22	28	520	A	A1
8 x 8 x 18-1/2 HA	8	8	200	152	160	115	73	93	120	114	135	–	25	22	699	A	A1
8 x 8 x 21-1/2 HA	8	8	200	152	160	115	73	93	120	114	135	–	25	22	699	A	A1
10 x 8 x 12-1/2 HA	10	8	200	152	160	135	87	100	100	100	120	–	24	20	385	A	A1
10 x 8 x 15 HA	10	8	200	152	160	115	73	93	120	114	135	–	25	22	579	A	A1
10 x 8 x 17 HA	10	8	200	150	208	120	75	140	120	115	135	–	28	25	460	A	A1
10 x 8 x 18 HA	10	8	200	152	160	115	73	93	120	114	135	–	25	25	750	A	A1
10 x 8 x 22 HA	10	8	275	200	230	175	100	155	150	150	150	–	28	28	770	A	A1
10 x 10 x 9-1/2 HA	10	10	200	152	120	135	87	70	100	100	100	–	18	20	270	A	A1

- Dimensions are subject to change
- Not be used for construction purposes unless certified.

Dimensions, weights Wilo-SCP

Dimensions, weights of bare-shaft pump (SI units)

Wilo-SCP...	Nominal diameter		Flanges		Dimensions															
	D ₁	D ₂	PN ₁	PN ₂	H ₁	H ₂	H ₃	H ₄	L ₁	L ₂	L ₃	L ₄	L ₅	L ₆	S ₁	S ₂	S ₃	S ₄	S ₅	S ₆
	[inch]		[#]		[mm]															
12 x 8 x 14 HB	12	8	125	125	450	320	276	276	471	560	470	350	-	-	95	104	8	12	39	42
12 x 10 x 14 HA	12	10	125	125	540	340	320	320	485	623	517	380	-	-	109	138	10	16	54	58
12 x 10 x 15 HA	12	10	125	125	540	340	320	320	485	623	517	380	-	-	109	138	10	16	54	59
12 x 10 x 17-1/2 HA	12	10	125	125	546	380	343	343	594	693	534	457	-	-	132	156	12	20	69	74
12 x 10 x 22 HA	12	10	125	125	546	415	356	356	594	693	584	492	-	-	132	156	12	20	69	74
12 x 10 x 27-1/2 DV	12	10	125	25	622	476	407	407	704	825	635	559	-	-	146	168	14	22	79	86
12 x 10 x 29-1/2 DV	12	10	125	125	622	476	407	407	704	825	635	559	-	-	146	168	14	22	79	86
14 x 12 x 13 HB	14	12	125	125	540	320	310	310	485	623	550	390	-	-	109	138	10	16	54	58
14 x 12 x 15 HA	14	12	125	125	546	375	318	318	525	612	559	391	-	-	109	138	10	16	54	59
14 x 12 x 19 HA	14	12	125	125	591	405	343	343	594	693	585	483	-	-	132	156	12	20	69	74
14 x 12 x 22 HA	14	12	125	125	591	440	378	378	594	693	629	534	-	-	132	156	12	20	69	74
14 x 12 x 26 DV	14	12	125	25	725	465	445	445	651	830	661	610	-	-	146	178	14	25	89	94
16 x 12 x 15-1/2 HA	16	12	125	125	610	390	350	350	536	668	550	350	-	-	109	138	10	16	54	58
18 x 14 x 19 HA	18	14	125	125	660	425	360	360	565	693	625	530	-	-	130	141	12	20	69	74
18 x 14 x 19-1/2 HA	18	14	125	125	730	480	450	450	595	726	768	550	-	-	130	141	12	20	69	74
18 x 16 x 28 HA	18	16	125	125	800	580	521	521	704	825	864	762	-	-	146	168	14	22	79	86
20 x 16 x 18-1/2 HA	20	16	125	125	780	520	445	445	602	743	790	545	-	-	130	141	12	20	69	74
20 x 16 x 21 HA	20	16	125	125	440	490	428	428	625	785	635	432	-	-	132	160	12	20	69	74
20 x 16 x 21-1/2 HA	20	16	125	125	780	495	470	470	667	830	760	560	-	-	146	178	14	22	79	84

- Dimensions are subject to change
- Not be used for construction purposes unless certified.

Pumps with axially split housing

Single pumps (heating, air-conditioning, cooling and industry)



Dimensions, weights Wilo-SCP

Dimensions, weights of bare-shaft pump (SI units)

Wilo-SCP...	Nominal diameter		Dimensions												Weight approx.	Dimension drawing	Plan of pump feet
	D ₁	D ₂	F ₁	F ₂	F ₃	F ₄	F ₅	F ₆	F ₇	F ₈	F ₉	F ₁₀	F ₁₁	F ₁₂	M	–	–
	[inch]		[mm]												[kg]	–	–
12 x 8 x 14 HB	12	8	200	152	170	135	87	120	100	100	120	–	24	20	460	A	A1
12 x 10 x 14 HA	12	10	250	175	160	165	90	93	120	120	135	–	24	20	540	A	A1
12 x 10 x 15 HA	12	10	250	175	160	165	90	93	120	120	135	–	24	20	540	A	A1
12 x 10 x 17-1/2 HA	12	10	275	200	230	175	100	155	150	150	150	–	29	28	906	A	A1
12 x 10 x 22 HA	12	10	275	200	230	175	100	155	150	150	150	–	28	28	975	A	A1
12 x 10 x 27-1/2 DV	12	10	270	170	270	200	100	180	120	120	180	–	28	30	1480	A	A1
12 x 10 x 29-1/2 DV	12	10	270	170	270	200	100	180	120	120	180	–	28	30	1480	A	A1
14 x 12 x 13 HB	14	12	250	175	160	165	90	93	120	120	135	–	28	20	603	A	A1
14 x 12 x 15 HA	14	12	260	152	160	165	73	93	120	114	135	–	25	25	1016	A	A1
14 x 12 x 19 HA	14	12	300	250	230	200	150	155	150	150	150	–	28	28	1110	A	A1
14 x 12 x 22 HA	14	12	300	250	230	200	150	155	150	150	150	–	28	28	1255	A	A1
14 x 12 x 26 DV	14	12	200	200	310	100	100	210	150	150	200	–	28	30	1540	A	A1
16 x 12 x 15-1/2 HA	16	12	260	200	175	160	100	100	150	150	150	–	28	25	880	A	A1
18 x 14 x 19 HA	18	14	340	220	278	240	120	190	150	150	175	–	28	30	1150	A	A1
18 x 14 x 19-1/2 HA	18	14	340	250	303	240	150	215	150	150	175	–	28	30	1125	A	A1
18 x 16 x 28 HA	18	16	380	220	400	280	120	300	150	150	200	–	32	30	2515	A	A1
20 x 16 x 18-1/2 HA	20	16	450	220	300	350	120	200	150	150	200	–	28	28	1134	A	A1
20 x 16 x 21 HA	20	16	930	380	540	1040	125	125	–	–	–	–	32	30	1400	A	B1
20 x 16 x 21-1/2 HA	20	16	450	220	300	350	120	200	150	150	200	–	32	32	1453	A	A1

- Dimensions are subject to change
- Not to be used for construction purposes unless certified.

Pumps with axially split housing

Single pumps (heating, air-conditioning, cooling and industry)



Dimensions, weights Wilo-SCP

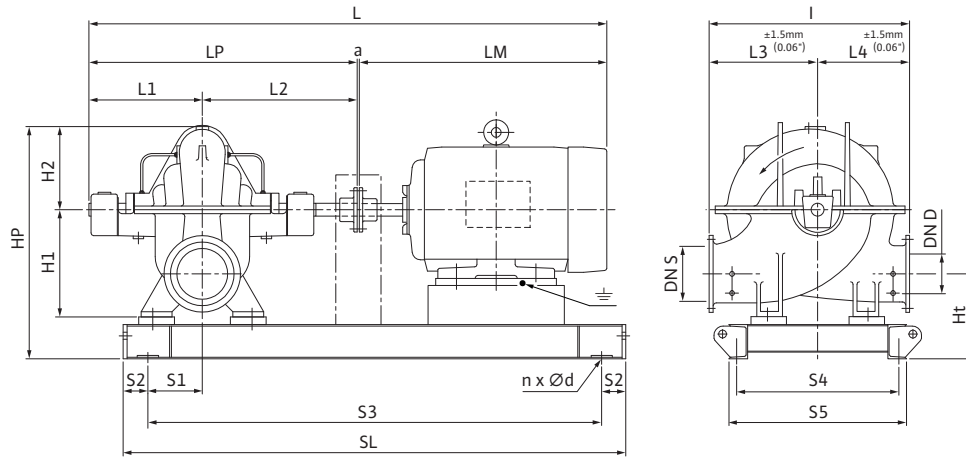
Dimensions, weights of bare-shaft pump (SI units)

Details, plus connection	Pressure sensor connection (on suction side)	Pressure sensor connection (on the pressure side)	Filling unit	Ventilation cock	Drainage screw (on suction side)	Drainage screw (on pressure side)	Drainage screw (central; only double stage pumps)	Drain for leakage fluid	Connection of temperature sensor
	CG	PG	PM	AC	CDS	CDD	CD	GD	–
[inch]									
2-1/2 x 2 x 8-1/2 HA	1/4	1/4	1/4	1/4	1/4	1/4	–	1/4	–
3 x 2 x 7 HA	1/4	1/4	3/8	3/8	1/4	1/4	–	3/4	–
3 x 2 x 13 HA	3/8	3/8	1/2	3/8	1/2	1/2	–	3/4	–
3 x 2 x 13 DS	3/8	3/8	1/2	3/8	3/8	3/8	1/4	3/4	–
3 x 2-1/2 x 15 HS	3/8	3/8	1/2	3/8	1/2	1/2	–	3/4	–
4 x 3 x 7-1/2 HA	3/8	3/8	1/2	3/8	1/2	1/2	–	3/4	–
4 x 3 x 9 HA	3/8	3/8	1/2	3/8	1/2	1/2	–	3/4	–
4 x 3 x 13 HA	3/8	3/8	1/2	3/8	1/2	1/2	–	3/4	–
4 x 3 x 14 DS	3/8	3/8	3/4	3/8	1/2	1/2	–	1/2	–
4 x 3 x 15 DS	3/8	3/8	1/2	3/8	3/8	3/8	1/2	3/4	–
5 x 4 x 10-1/2 HA	3/8	3/8	1/2	3/8	1/2	1/2	–	3/4	M8
5 x 4 x 11 HA	3/8	3/8	1/2	3/8	1/2	1/2	–	3/4	M8
5 x 4 x 14 HA	3/8	3/8	1/2	3/8	1/2	1/2	–	3/4	M8
5 x 4 x 15-1/2 HA	3/8	3/8	1/2	3/8	1/2	1/2	–	3/4	M8
5 x 4 x 16 DS	3/8	3/8	3/4	3/8	1/2	1/2	–	1/2	–
6 x 5 x 11 HA	3/8	3/8	1/2	3/8	1/2	1/2	–	3/4	M8
6 x 5 x 12-1/2 HA	3/8	3/8	1/2	3/8	1/2	1/2	–	3/4	M8
6 x 5 x 18 DS	3/8	3/8	3/4	3/8	1/2	1/2	1/2	3/4	–
6 x 5 x 18-1/2 HA	3/8	3/8	3/4	3/8	3/4	3/4	–	3/4	M8
8 x 6 x 11 HA	3/8	3/8	1	3/8	1/2	1/2	–	3/4	M8
8 x 6 x 15 HA	3/8	3/8	1/2	3/8	3/4	3/4	–	3/4	M8
8 x 6 x 17 HA	3/8	3/8	1/2	3/8	3/4	3/4	–	3/4	M8
8 x 6 x 17-1/2 HA	3/8	3/8	1/2	3/8	3/4	3/4	–	3/4	M8
8 x 6 x 18 DS	1/2	1/2	3/4	3/8	1/2	1/2	1/2	1/2	–
8 x 6 x 20-1/2 HA	3/8	3/8	1	3/8	3/4	3/4	–	3/4	M8
8 x 8 x 12 HA	3/8	3/8	1/2	3/8	3/4	3/4	–	3/4	M8
8 x 8 x 14-1/2 HA	3/8	3/8	3/4	3/8	3/4	3/4	–	3/4	M8
8 x 8 x 18-1/2 HA	3/8	3/8	1	3/8	1/2	1/2	–	3/4	M8
8 x 8 x 21-1/2 HA	3/8	3/8	1	3/8	1/2	1/2	–	3/4	M8
10 x 8 x 12-1/2 HA	3/8	3/8	3/4	3/8	3/4	3/4	–	3/4	M8
10 x 8 x 15 HA	3/8	3/8	1	3/8	3/4	3/4	–	3/4	M8
10 x 8 x 17 HA	3/8	3/8	1	3/8	3/4	3/4	–	3/4	M8
10 x 8 x 18 HA	3/8	3/8	1	3/8	3/4	3/4	–	3/4	M8
10 x 8 x 22 HA	3/8	3/8	1	3/8	1/2	1/2	–	3/4	M8
10 x 10 x 9-1/2 HA	3/8	3/8	1/2	3/8	1/2	1/2	–	3/4	M8
12 x 8 x 14 HB	3/8	3/8	3/4	3/8	3/4	3/4	–	3/4	M8
12 x 10 x 14 HA	3/8	3/8	1	3/8	3/4	3/4	–	3/4	M8
12 x 10 x 15 HA	3/8	3/8	1	3/8	3/4	3/4	–	3/4	M8
12 x 10 x 17-1/2 HA	3/8	3/8	1	3/8	1/2	1/2	–	1	M8
12 x 10 x 22 HA	3/8	3/8	1	3/8	1/2	1/2	–	1	M8
12 x 10 x 27-1/2 DV	3/8	3/8	1	3/8	1	1	–	1 1/4	M8
12 x 10 x 29-1/2 DV	3/8	3/8	1	3/8	1	1	–	1 1/4	M8
14 x 12 x 13 HB	3/8	3/8	1	3/8	3/4	3/4	–	3/4	M8
14 x 12 x 15 HA	3/8	3/8	1	3/8	1	1	–	3/4	M8
14 x 12 x 19 HA	3/8	3/8	1	3/8	1	1	–	1	M8
14 x 12 x 22 HA	3/8	3/8	1 1/2	3/8	1	1	–	1	M8
14 x 12 x 26 DV	3/8	3/8	1 1/2	3/8	1	1	–	1	M8
16 x 12 x 15-1/2 HA	3/8	3/8	1	3/8	3/4	3/4	–	3/4	M8
18 x 14 x 19 HA	3/8	3/8	1	3/8	1	1	–	1	M8
18 x 14 x 19-1/2 HA	3/8	3/8	1	3/8	1	1	–	1	M8
18 x 16 x 28 HA	3/8	3/8	1	3/8	1	1	–	1 1/4	M8
20 x 16 x 18-1/2 HA	3/8	3/8	1	3/8	1	1	–	1	M8
20 x 16 x 21 HA	3/8	3/8	1	3/8	1	1	–	1	M8
20 x 16 x 21-1/2 HA	3/8	3/8	1	3/8	1	1	–	1	M8

- Dimensions are subject to change
- Not to be used for construction purposes unless certified.

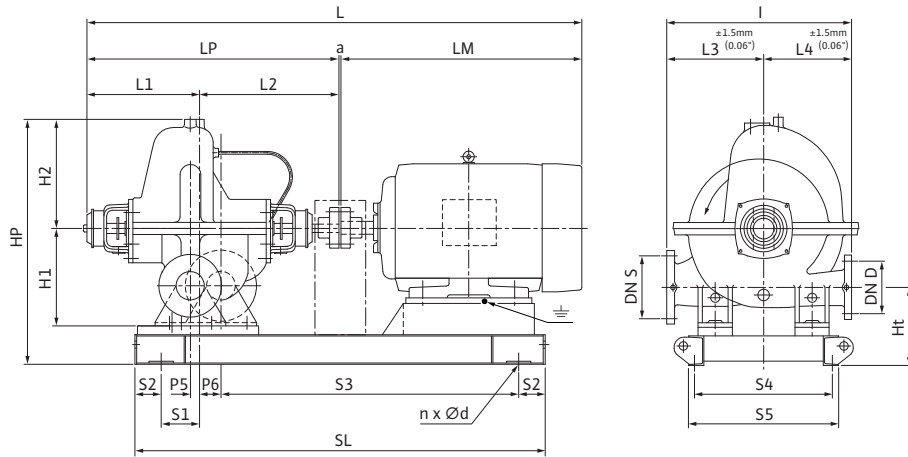
Dimensions, weights Wilo-SCP

Dimension drawing: A - Pump single-stage version



Dimensions, weights Wilo-SCP

Dimension drawing: B - Pump two-stage version



Pumps with axially split housing

Single pumps (heating, air-conditioning, cooling and industry)



Dimensions, weights Wilo-SCP

Dimensions, weights of pump set (US units) – 4 pole motors

Wilo-SCP...	Nominal diameter		Power consumption P ₂	Motor housing	Number of poles	Nominal speed n	Rated voltage U	Dimensions								
	DN S	DN D														
	[inch]	[inch]	[hp]	–	–	[rpm]	[V]	a	L	l	L ₁	L ₂	L ₃	L ₄	LM	LP
2-1/2 x 2 x 8-1/2 HA	2 1/2	2	3	182T	4	1725	208-230/460	1/2	38 15/16	13 3/8	10 1/16	11 13/16	7 1/2	5 7/8	16 1/2	21 7/8
2-1/2 x 2 x 8-1/2 HA	2 1/2	2	5	184T	4	1750	208-230/460	1/2	38 15/16	13 3/8	10 1/16	11 13/16	7 1/2	5 7/8	16 9/16	21 7/8
3 x 2 x 7 HA	3	2	1.5	145T	4	1760	208-230/460	1/2	40 3/16	14 9/16	11 7/8	14 1/2	7 7/8	6 11/16	13 5/16	26 3/8
3 x 2 x 7 HA	3	2	2	145T	4	1750	208-230/460	1/2	40 3/16	14 9/16	11 7/8	14 1/2	7 7/8	6 11/16	13 5/16	26 3/8
3 x 2 x 7 HA	3	2	3	182T	4	1725	208-230/460	1/2	43 3/8	14 9/16	11 7/8	14 1/2	7 7/8	6 11/16	16 1/2	26 3/8
3 x 2 x 7 HA	3	2	5	184T	4	1750	208-230/460	1/2	43 7/16	14 9/16	11 7/8	14 1/2	7 7/8	6 11/16	16 9/16	26 3/8
3 x 2 x 13 HA	3	2	5	184T	4	1750	208-230/460	1/2	44 11/16	18 7/8	12 1/2	15 3/16	10 3/4	8 9/16	16 9/16	27 5/8
3 x 2 x 13 HA	3	2	7.5	213T	4	1770	230/460	1/2	46	18 7/8	12 1/2	15 3/16	10 3/4	8 9/16	17 7/8	27 5/8
3 x 2 x 13 HA	3	2	10	215T	4	1765	208-230/460	1/2	47 1/8	18 7/8	12 1/2	15 3/16	10 3/4	8 9/16	19	27 5/8
3 x 2 x 13 HA	3	2	15	254T	4	1760	208-230/460	1/2	49 3/8	18 7/8	12 1/2	15 3/16	10 3/4	8 9/16	21 1/16	27 5/8
3 x 2 x 13 HA	3	2	20	256T	4	1765	230/460	1/2	51 5/16	18 7/8	12 1/2	15 3/16	10 3/4	8 9/16	23 1/16	27 5/8
3 x 2 x 13 DS	3	2	15	254T	4	1760	208-230/460	1/2	53	20 1/4	15	16 7/16	11 13/16	8 7/16	21 1/16	31 7/16
3 x 2 x 13 DS	3	2	20	256T	4	1765	230/460	1/2	55 1/16	20 1/4	15	16 7/16	11 13/16	8 7/16	23 1/16	31 7/16
3 x 2 x 13 DS	3	2	25	284T	4	1770	230/460	1/2	57 7/8	20 1/4	15	16 7/16	11 13/16	8 7/16	25 15/16	31 7/16
3 x 2 x 13 DS	3	2	30	286T	4	1770	230/460	1/2	57 7/8	20 1/4	15	16 7/16	11 13/16	8 7/16	25 15/16	31 7/16
3 x 2 x 13 DS	3	2	40	324T	4	1770	208-230/460	1/2	62 5/16	20 1/4	15	16 7/16	11 13/16	8 7/16	30 3/8	31 7/16
3 x 2 x 13 DS	3	2	50	326T	4	1775	230/460	1/2	62 5/16	20 1/4	15	16 7/16	11 13/16	8 7/16	30 3/8	31 7/16
3 x 2-1/2 x 15 HS	3	2 1/2	25	284T	4	1770	230/460	1/2	53 1/2	21 5/8	11 3/4	15 5/16	11 13/16	9 13/16	25 15/16	27 1/16
3 x 2-1/2 x 15 HS	3	2 1/2	30	286T	4	1770	230/460	1/2	53 1/2	21 5/8	11 3/4	15 5/16	11 13/16	9 13/16	25 15/16	27 1/16
3 x 2-1/2 x 15 HS	3	2 1/2	40	324T	4	1770	208-230/460	1/2	57 15/16	21 5/8	11 3/4	15 5/16	11 13/16	9 13/16	30 3/8	27 1/16
4 x 3 x 7-1/2 HA	4	3	3	182T	4	1725	208-230/460	1/2	45 3/4	16 5/16	13 1/16	15 11/16	8 7/8	7 1/2	16 1/2	28 3/4
4 x 3 x 7-1/2 HA	4	3	5	184T	4	1750	208-230/460	1/2	45 13/16	16 5/16	13 1/16	15 11/16	8 7/8	7 1/2	16 9/16	28 3/4
4 x 3 x 7-1/2 HA	4	3	7.5	213T	4	1770	230/460	1/2	47 1/8	16 5/16	13 1/16	15 11/16	8 7/8	7 1/2	17 7/8	28 3/4
4 x 3 x 9 HA	4	3	5	184T	4	1750	208-230/460	1/2	46 3/8	16 5/16	13 5/8	15 11/16	8 7/8	7 1/2	16 9/16	29 3/8
4 x 3 x 9 HA	4	3	7.5	213T	4	1770	230/460	1/2	47 3/4	16 5/16	13 5/8	15 11/16	8 7/8	7 1/2	17 7/8	29 3/8
4 x 3 x 9 HA	4	3	10	215T	4	1765	208-230/460	1/2	48 7/8	16 5/16	13 5/8	15 11/16	8 7/8	7 1/2	19	29 3/8
4 x 3 x 13 HA	4	3	10	215T	4	1765	208-230/460	1/2	48 7/8	19 7/8	13 5/8	15 11/16	10 13/16	9 1/16	19	29 3/8
4 x 3 x 13 HA	4	3	15	254T	4	1760	208-230/460	1/2	50 15/16	19 7/8	13 5/8	15 11/16	10 13/16	9 1/16	21 1/16	29 3/8
4 x 3 x 13 HA	4	3	20	256T	4	1765	230/460	1/2	53	19 7/8	13 5/8	15 11/16	10 13/16	9 1/16	23 1/16	29 3/8
4 x 3 x 13 HA	4	3	25	284T	4	1770	230/460	1/2	55 13/16	19 7/8	13 5/8	15 11/16	10 13/16	9 1/16	25 15/16	29 3/8
4 x 3 x 13 HA	4	3	30	286T	4	1770	230/460	1/2	55 13/16	19 7/8	13 5/8	15 11/16	10 13/16	9 1/16	25 15/16	29 3/8
4 x 3 x 13 HA	4	3	40	286T	4	1770	230/460	on re-quest	on re-quest	on re-quest	13 5/8	15 11/16	10 13/16	9 1/16	on request	on request
4 x 3 x 14 DS	4	3	50	326T	4	1775	230/460	1/2	64 15/16	21 7/16	16 5/16	17 11/16	11	10 7/16	30 3/8	34 1/16
4 x 3 x 14 DS	4	3	60	364T	4	1775	230/460	1/2	67 9/16	21 7/16	16 5/16	17 11/16	11	10 7/16	33	34 1/16
4 x 3 x 14 DS	4	3	75	365T	4	1780	230/460	1/2	67 9/16	21 7/16	16 5/16	17 11/16	11	10 7/16	33	34 1/16
4 x 3 x 14 DS	4	3	100	404T	4	1775	230/460	1/2	71 3/4	21 7/16	16 5/16	17 11/16	11	10 7/16	37 1/4	34 1/16
4 x 3 x 15 DS	4	3	15	254T	4	1760	208-230/460	1/2	56 1/4	22 11/16	16 5/8	18 1/16	13 3/16	9 1/2	21 1/16	34 11/16
4 x 3 x 15 DS	4	3	20	256T	4	1765	230/460	1/2	58 5/16	22 11/16	16 5/8	18 1/16	13 3/16	9 1/2	23 3/16	34 11/16
4 x 3 x 15 DS	4	3	25	284T	4	1770	230/460	1/2	61 1/8	22 11/16	16 5/8	18 1/16	13 3/16	9 1/2	25 15/16	34 11/16
4 x 3 x 15 DS	4	3	30	286T	4	1770	230/460	1/2	61 1/8	22 11/16	16 5/8	18 1/16	13 3/16	9 1/2	25 15/16	34 11/16
4 x 3 x 15 DS	4	3	40	324T	4	1770	208-230/460	1/2	65 9/16	22 11/16	16 5/8	18 1/16	13 3/16	9 1/2	30 3/8	34 11/16
4 x 3 x 15 DS	4	3	50	326T	4	1775	230/460	1/2	65 9/16	22 11/16	16 5/8	18 1/16	13 3/16	9 1/2	30 3/8	34 11/16

- Dimensions are subject to change
- Not be used for construction purposes unless certified.

Pumps with axially split housing

Single pumps (heating, air-conditioning, cooling and industry)



Dimensions, weights Wilo-SCP

Dimensions, weights of pump set (US units) – 4 pole motors

Wilo-SCP...	Nominal diameter		Power consumption	Dimensions										Weight	Dimension drawing
	DN S	DN D		P ₂	H ₁	H ₂	HP	Ht	S ₁	S ₂	S ₃	S ₄	S ₅		
	[inch]		[hp]												[lbs]
2-1/2 x 2 x 8-1/2 HA	2 ^{1/2}	2	3	7 ^{7/8}	5 ^{5/8}	18	7 ^{1/2}	15 ^{1/16}	4	22 ^{3/4}	9 ^{7/16}	11	30 ^{3/4}	287	A
2-1/2 x 2 x 8-1/2 HA	2 ^{1/2}	2	5	7 ^{7/8}	5 ^{5/8}	18	7 ^{1/2}	15 ^{1/16}	4	22 ^{3/4}	9 ^{7/16}	11	30 ^{3/4}	298	A
3 x 2 x 7 HA	3	2	1.5	7 ^{7/8}	5 ^{5/16}	17 ^{7/8}	7 ^{15/16}	15 ^{1/16}	4	23 ^{7/8}	8 ^{11/16}	10 ^{1/4}	31 ^{7/8}	331	A
3 x 2 x 7 HA	3	2	2	7 ^{7/8}	5 ^{5/16}	17 ^{7/8}	7 ^{15/16}	15 ^{1/16}	4	23 ^{7/8}	8 ^{11/16}	10 ^{1/4}	31 ^{7/8}	331	A
3 x 2 x 7 HA	3	2	3	7 ^{7/8}	5 ^{5/16}	17 ^{7/8}	7 ^{15/16}	15 ^{1/16}	4	25 ^{7/16}	9 ^{7/16}	11	33 ^{7/16}	354	A
3 x 2 x 7 HA	3	2	5	7 ^{7/8}	5 ^{5/16}	17 ^{7/8}	7 ^{15/16}	15 ^{1/16}	4	25 ^{7/16}	9 ^{7/16}	11	33 ^{7/16}	365	A
3 x 2 x 13 HA	3	2	5	9 ^{13/16}	8 ^{3/8}	22 ^{7/8}	6 ^{15/16}	1 ^{5/16}	4	26 ^{7/16}	10 ^{1/4}	11 ^{7/8}	34 ^{7/16}	458	A
3 x 2 x 13 HA	3	2	7.5	9 ^{13/16}	8 ^{3/8}	22 ^{7/8}	6 ^{15/16}	1 ^{5/16}	4	29 ^{7/8}	10 ^{5/16}	11 ^{7/8}	37 ^{7/8}	516	A
3 x 2 x 13 HA	3	2	10	9 ^{13/16}	8 ^{3/8}	22 ^{7/8}	6 ^{15/16}	1 ^{5/16}	4	29 ^{7/8}	10 ^{5/16}	11 ^{7/8}	37 ^{7/8}	516	A
3 x 2 x 13 HA	3	2	15	9 ^{13/16}	8 ^{3/8}	22 ^{7/8}	6 ^{15/16}	1 ^{5/16}	4	32 ^{1/16}	12 ^{1/16}	13 ^{5/8}	40 ^{1/16}	587	A
3 x 2 x 13 HA	3	2	20	9 ^{13/16}	8 ^{3/8}	22 ^{7/8}	6 ^{15/16}	1 ^{5/16}	4	33 ^{13/16}	12 ^{1/16}	13 ^{5/8}	41 ^{13/16}	655	A
3 x 2 x 13 DS	3	2	15	11 ^{7/16}	8 ^{7/8}	25 ^{7/8}	9 ^{13/16}	2 ^{7/8}	4	34 ^{15/16}	11 ^{5/16}	13 ^{5/8}	42 ^{15/16}	396	B
3 x 2 x 13 DS	3	2	20	11 ^{7/16}	8 ^{7/8}	25 ^{7/8}	9 ^{13/16}	2 ^{7/8}	4	36 ^{11/16}	11 ^{5/16}	13 ^{5/8}	44 ^{11/16}	962	B
3 x 2 x 13 DS	3	2	25	11 ^{7/16}	8 ^{7/8}	25 ^{7/8}	9 ^{13/16}	2 ^{7/8}	4	38 ^{13/16}	12 ^{5/16}	14 ^{5/8}	46 ^{13/16}	1056	B
3 x 2 x 13 DS	3	2	30	11 ^{7/16}	8 ^{7/8}	25 ^{7/8}	9 ^{13/16}	2 ^{7/8}	4	38 ^{13/16}	12 ^{5/16}	14 ^{5/8}	46 ^{13/16}	1075	B
3 x 2 x 13 DS	3	2	40	11 ^{7/16}	8 ^{7/8}	25 ^{7/8}	9 ^{13/16}	2 ^{7/8}	4	41 ^{1/16}	14 ^{5/16}	16 ^{5/8}	49 ^{3/16}	1214	B
3 x 2 x 13 DS	3	2	50	11 ^{7/16}	8 ^{7/8}	25 ^{7/8}	9 ^{13/16}	2 ^{7/8}	4	41 ^{1/16}	14 ^{5/16}	16 ^{5/8}	49 ^{3/16}	1255	B
3 x 2-1/2 x 15 HS	3	2 ^{1/2}	25	11	9 ^{1/16}	24 ^{11/16}	7 ^{3/16}	1 ^{11/16}	4	36 ^{1/2}	13 ^{1/16}	14 ^{5/8}	44 ^{1/2}	788	A
3 x 2-1/2 x 15 HS	3	2 ^{1/2}	30	11	9 ^{1/16}	24 ^{11/16}	7 ^{3/16}	1 ^{11/16}	4	36 ^{1/2}	13 ^{1/16}	14 ^{5/8}	44 ^{1/2}	807	A
3 x 2-1/2 x 15 HS	3	2 ^{1/2}	40	11	9 ^{1/16}	24 ^{11/16}	7 ^{3/16}	1 ^{11/16}	4	38 ^{7/8}	15 ^{1/16}	16 ^{5/8}	46 ^{7/8}	956	A
4 x 3 x 7-1/2 HA	4	3	3	9 ^{13/16}	6 ^{1/8}	20 ^{5/8}	9 ^{3/16}	1 ^{5/16}	4	27	10 ^{1/4}	11 ^{7/8}	35	430	A
4 x 3 x 7-1/2 HA	4	3	5	9 ^{13/16}	6 ^{1/8}	20 ^{5/8}	9 ^{3/16}	1 ^{5/16}	4	27	10 ^{1/4}	11 ^{7/8}	35	501	A
4 x 3 x 7-1/2 HA	4	3	7.5	9 ^{13/16}	6 ^{1/8}	20 ^{5/8}	9 ^{3/16}	1 ^{5/16}	4	29 ^{7/8}	10 ^{5/16}	11 ^{7/8}	37 ^{7/8}	559	A
4 x 3 x 9 HA	4	3	5	9 ^{13/16}	6 ^{1/2}	21	8 ^{3/4}	1 ^{5/16}	4	27	10 ^{1/4}	11 ^{7/8}	35	470	A
4 x 3 x 9 HA	4	3	7.5	9 ^{13/16}	6 ^{1/2}	21	8 ^{3/4}	1 ^{5/16}	4	29 ^{7/8}	10 ^{5/16}	11 ^{7/8}	37 ^{7/8}	527	A
4 x 3 x 9 HA	4	3	10	9 ^{13/16}	6 ^{1/2}	21	8 ^{3/4}	1 ^{5/16}	4	29 ^{7/8}	10 ^{5/16}	11 ^{7/8}	37 ^{7/8}	527	A
4 x 3 x 13 HA	4	3	10	11 ^{13/16}	8 ^{7/8}	25 ^{5/16}	8 ^{9/16}	1 ^{5/16}	4	29 ^{7/8}	10 ^{5/16}	11 ^{7/8}	37 ^{7/8}	534	A
4 x 3 x 13 HA	4	3	15	11 ^{13/16}	8 ^{7/8}	25 ^{5/16}	8 ^{9/16}	1 ^{5/16}	4	32 ^{5/8}	12 ^{1/16}	13 ^{5/8}	40 ^{5/8}	608	A
4 x 3 x 13 HA	4	3	20	11 ^{13/16}	8 ^{7/8}	25 ^{5/16}	8 ^{9/16}	1 ^{5/16}	4	34 ^{3/8}	12 ^{1/16}	13 ^{5/8}	42 ^{3/8}	675	A
4 x 3 x 13 HA	4	3	25	11 ^{13/16}	8 ^{7/8}	25 ^{5/16}	8 ^{9/16}	1 ^{5/16}	4	36 ^{1/2}	13 ^{1/16}	14 ^{5/8}	44 ^{1/2}	757	A
4 x 3 x 13 HA	4	3	30	11 ^{13/16}	8 ^{7/8}	25 ^{5/16}	8 ^{9/16}	1 ^{5/16}	4	36 ^{1/2}	13 ^{1/16}	14 ^{5/8}	44 ^{1/2}	776	A
4 x 3 x 13 HA	4	3	40	11 ^{13/16}	8 ^{7/8}	25 ^{5/16}	8 ^{9/16}	1 ^{5/16}	4	on request	on request	on request	on request	915	A
4 x 3 x 14 DS	4	3	50	12 ^{3/16}	12 ^{5/8}	30 ^{7/16}	10 ^{5/16}	2 ^{5/16}	4	41 ^{7/8}	15 ^{13/16}	18 ^{1/8}	49 ^{7/8}	1146	B
4 x 3 x 14 DS	4	3	60	12 ^{3/16}	12 ^{5/8}	30 ^{7/16}	10 ^{5/16}	2 ^{5/16}	4	43 ^{3/8}	15 ^{13/16}	18 ^{1/8}	51 ^{3/8}	1333	B
4 x 3 x 14 DS	4	3	75	12 ^{3/16}	12 ^{5/8}	30 ^{7/16}	10 ^{5/16}	2 ^{5/16}	4	43 ^{3/8}	15 ^{13/16}	18 ^{1/8}	51 ^{3/8}	1480	B
4 x 3 x 14 DS	4	3	100	12 ^{3/16}	12 ^{5/8}	30 ^{7/16}	10 ^{5/16}	2 ^{5/16}	4	47 ^{3/8}	18 ^{1/2}	20 ^{7/8}	55 ^{3/8}	1438	B
4 x 3 x 15 DS	4	3	15	13 ^{3/8}	9 ^{13/16}	28 ^{7/8}	10 ^{7/8}	3 ^{11/16}	4	37 ^{3/8}	11 ^{5/16}	13 ^{5/8}	45 ^{3/8}	923	B
4 x 3 x 15 DS	4	3	20	13 ^{3/8}	9 ^{13/16}	28 ^{7/8}	10 ^{7/8}	3 ^{11/16}	4	39 ^{1/8}	11 ^{5/16}	13 ^{5/8}	47 ^{1/8}	990	B
4 x 3 x 15 DS	4	3	25	13 ^{3/8}	9 ^{13/16}	28 ^{7/8}	10 ^{7/8}	3 ^{11/16}	4	41 ^{1/4}	12 ^{5/16}	14 ^{5/8}	49 ^{3/4}	1078	B
4 x 3 x 15 DS	4	3	30	13 ^{3/8}	9 ^{13/16}	28 ^{7/8}	10 ^{7/8}	3 ^{11/16}	4	41 ^{1/4}	12 ^{5/16}	14 ^{5/8}	49 ^{3/4}	1097	B
4 x 3 x 15 DS	4	3	40	13 ^{3/8}	9 ^{13/16}	28 ^{7/8}	10 ^{7/8}	3 ^{11/16}	4	43 ^{5/8}	14 ^{5/16}	16 ^{5/8}	51 ^{5/8}	1242	B
4 x 3 x 15 DS	4	3	50	13 ^{3/8}	9 ^{13/16}	28 ^{7/8}	10 ^{7/8}	3 ^{11/16}	4	43 ^{5/8}	14 ^{5/16}	16 ^{5/8}	51 ^{5/8}	1283	B

- Dimensions are subject to change
- Not be used for construction purposes unless certified.

Pumps with axially split housing

Single pumps (heating, air-conditioning, cooling and industry)



Dimensions, weights Wilo-SCP

Dimensions, weights of pump set (US units) – 4 pole motors

Wilo-SCP...	Nominal diameter		Power consumption	Motor housing	Number of poles	Nominal speed	Rated voltage	Dimensions								
	DN S	DN D						P ₂	–	n	U	a	L	I	L ₁	L ₂
	[inch]		[hp]	[-]	–	[rpm]	[V]	[in.]								
5 x 4 x 10-1/2 HA	5	4	10	215T	4	1765	208-230/460	1/2	48 ⁷ / ₈	20 ¹ / ₄	13 ⁵ / ₈	15 ¹¹ / ₁₆	11 ¹ / ₄	9 ¹ / ₁₆	19	29 ³ / ₈
5 x 4 x 10-1/2 HA	5	4	15	254T	4	1760	208-230/460	1/2	50 ¹⁵ / ₁₆	20 ¹ / ₄	13 ⁵ / ₈	15 ¹¹ / ₁₆	11 ¹ / ₄	9 ¹ / ₁₆	21 ¹ / ₁₆	29 ³ / ₈
5 x 4 x 10-1/2 HA	5	4	20	256T	4	1765	230/460	1/2	53	20 ¹ / ₄	13 ⁵ / ₈	15 ¹¹ / ₁₆	11 ¹ / ₄	9 ¹ / ₁₆	23 ³ / ₁₆	29 ³ / ₈
5 x 4 x 10-1/2 HA	5	4	25	284T	4	1770	230/460	1/2	55 ¹³ / ₁₆	20 ¹ / ₄	13 ⁵ / ₈	15 ¹¹ / ₁₆	11 ¹ / ₄	9 ¹ / ₁₆	25 ¹⁵ / ₁₆	29 ³ / ₈
5 x 4 x 10-1/2 HA	5	4	30	286T	4	1770	230/460	1/2	55 ¹³ / ₁₆	20 ¹ / ₄	13 ⁵ / ₈	15 ¹¹ / ₁₆	11 ¹ / ₄	9 ¹ / ₁₆	25 ¹⁵ / ₁₆	29 ³ / ₈
5 x 4 x 11 HA	5	4	10	215T	4	1765	208-230/460	1/2	48 ⁷ / ₈	21 ⁵ / ₈	13 ⁵ / ₈	15 ¹¹ / ₁₆	11 ¹³ / ₁₆	9 ¹³ / ₁₆	19	29 ³ / ₈
5 x 4 x 11 HA	5	4	15	254T	4	1760	208-230/460	1/2	50 ¹⁵ / ₁₆	21 ⁵ / ₈	13 ⁵ / ₈	15 ¹¹ / ₁₆	11 ¹³ / ₁₆	9 ¹³ / ₁₆	21 ¹ / ₁₆	29 ³ / ₈
5 x 4 x 11 HA	5	4	20	256T	4	1765	230/460	1/2	53	21 ⁵ / ₈	13 ⁵ / ₈	15 ¹¹ / ₁₆	11 ¹³ / ₁₆	9 ¹³ / ₁₆	23 ³ / ₁₆	29 ³ / ₈
5 x 4 x 11 HA	5	4	25	284T	4	1770	230/460	1/2	55 ¹³ / ₁₆	21 ⁵ / ₈	13 ⁵ / ₈	15 ¹¹ / ₁₆	11 ¹³ / ₁₆	9 ¹³ / ₁₆	25 ¹⁵ / ₁₆	29 ³ / ₈
5 x 4 x 11 HA	5	4	30	286T	4	1770	230/460	1/2	55 ¹³ / ₁₆	21 ⁵ / ₈	13 ⁵ / ₈	15 ¹¹ / ₁₆	11 ¹³ / ₁₆	9 ¹³ / ₁₆	25 ¹⁵ / ₁₆	29 ³ / ₈
5 x 4 x 11 HA	5	4	40	324T	4	1770	208-230/460	1/2	60 ¹ / ₄	21 ⁵ / ₈	13 ⁵ / ₈	15 ¹¹ / ₁₆	11 ¹³ / ₁₆	9 ¹³ / ₁₆	30 ³ / ₈	29 ³ / ₈
5 x 4 x 14 HA	5	4	20	256T	4	1765	230/460	1/2	53	24 ⁵ / ₈	13 ⁵ / ₈	15 ¹¹ / ₁₆	13 ³ / ₄	10 ¹³ / ₁₆	23 ³ / ₁₆	29 ³ / ₈
5 x 4 x 14 HA	5	4	25	284T	4	1770	230/460	1/2	55 ¹³ / ₁₆	24 ⁵ / ₈	13 ⁵ / ₈	15 ¹¹ / ₁₆	13 ³ / ₄	10 ¹³ / ₁₆	25 ¹⁵ / ₁₆	29 ³ / ₈
5 x 4 x 14 HA	5	4	30	286T	4	1770	230/460	1/2	55 ¹³ / ₁₆	24 ⁵ / ₈	13 ⁵ / ₈	15 ¹¹ / ₁₆	13 ³ / ₄	10 ¹³ / ₁₆	25 ¹⁵ / ₁₆	29 ³ / ₈
5 x 4 x 14 HA	5	4	40	324T	4	1770	208-230/460	1/2	60 ¹ / ₄	24 ⁵ / ₈	13 ⁵ / ₈	15 ¹¹ / ₁₆	13 ³ / ₄	10 ¹³ / ₁₆	30 ³ / ₈	29 ³ / ₈
5 x 4 x 14 HA	5	4	50	326T	4	1775	230/460	1/2	60 ¹ / ₄	24 ⁵ / ₈	13 ⁵ / ₈	15 ¹¹ / ₁₆	13 ³ / ₄	10 ¹³ / ₁₆	30 ³ / ₈	29 ³ / ₈
5 x 4 x 15-1/2 HA	5	4	40	324T	4	1770	208-230/460	1/2	60 ¹ / ₄	24 ⁵ / ₈	13 ⁵ / ₈	15 ¹¹ / ₁₆	13 ³ / ₄	10 ¹³ / ₁₆	30 ³ / ₈	29 ³ / ₈
5 x 4 x 15-1/2 HA	5	4	50	326T	4	1775	230/460	1/2	60 ¹ / ₄	24 ⁵ / ₈	13 ⁵ / ₈	15 ¹¹ / ₁₆	13 ³ / ₄	10 ¹³ / ₁₆	30 ³ / ₈	29 ³ / ₈
5 x 4 x 15-1/2 HA	5	4	60	364T	4	1775	230/460	1/2	62 ⁷ / ₈	24 ⁵ / ₈	13 ⁵ / ₈	15 ¹¹ / ₁₆	13 ³ / ₄	10 ¹³ / ₁₆	33	29 ³ / ₈
5 x 4 x 15-1/2 HA	5	4	75	365T	4	1780	230/460	1/2	62 ⁷ / ₈	24 ⁵ / ₈	13 ⁵ / ₈	15 ¹¹ / ₁₆	13 ³ / ₄	10 ¹³ / ₁₆	33	29 ³ / ₈
5 x 4 x 15-1/2 HA	5	4	100	404T	4	1775	230/460	1/2	67 ¹ / ₁₆	24 ⁵ / ₈	13 ⁵ / ₈	15 ¹¹ / ₁₆	13 ³ / ₄	10 ¹³ / ₁₆	37 ¹ / ₄	29 ³ / ₈
5 x 4 x 15-1/2 HA	5	4	125	405T	4	1775	460	1/2	74 ¹ / ₁₆	24 ⁵ / ₈	13 ⁵ / ₈	15 ¹¹ / ₁₆	13 ³ / ₄	10 ¹³ / ₁₆	44 ¹ / ₄	29 ³ / ₈
5 x 4 x 16 DS	5	4	50	326T	4	1775	230/460	1/2	69 ¹ / ₄	24 ⁷ / ₁₆	18 ⁵ / ₁₆	20 ¹ / ₁₆	12 ⁵ / ₈	11 ¹³ / ₁₆	30 ³ / ₈	38 ³ / ₈
5 x 4 x 16 DS	5	4	60	364T	4	1775	230/460	1/2	71 ⁷ / ₈	24 ⁷ / ₁₆	18 ⁵ / ₁₆	20 ¹ / ₁₆	12 ⁵ / ₈	11 ¹³ / ₁₆	33	38 ³ / ₈
5 x 4 x 16 DS	5	4	75	365T	4	1780	230/460	1/2	71 ⁷ / ₈	24 ⁷ / ₁₆	18 ⁵ / ₁₆	20 ¹ / ₁₆	12 ⁵ / ₈	11 ¹³ / ₁₆	33	38 ³ / ₈
5 x 4 x 16 DS	5	4	100	404T	4	1775	230/460	1/2	76 ⁷ / ₈	24 ⁷ / ₁₆	18 ⁵ / ₁₆	20 ¹ / ₁₆	12 ⁵ / ₈	11 ¹³ / ₁₆	37 ¹ / ₄	38 ³ / ₈
5 x 4 x 16 DS	5	4	125	405T	4	1775	460	1/2	83 ¹ / ₈	24 ⁷ / ₁₆	18 ⁵ / ₁₆	20 ¹ / ₁₆	12 ⁵ / ₈	11 ¹³ / ₁₆	44 ¹ / ₄	38 ³ / ₈
6 x 5 x 11 HA	6	5	20	256T	4	1765	230/460	1/2	57 ⁵ / ₁₆	24 ⁵ / ₈	15 ⁵ / ₈	18 ¹ / ₁₆	13 ³ / ₄	10 ¹³ / ₁₆	23 ³ / ₁₆	33 ⁵ / ₈
6 x 5 x 11 HA	6	5	25	284T	4	1770	230/460	1/2	60 ¹ / ₁₆	24 ⁵ / ₈	15 ⁵ / ₈	18 ¹ / ₁₆	13 ³ / ₄	10 ¹³ / ₁₆	25 ¹⁵ / ₁₆	33 ⁵ / ₈
6 x 5 x 11 HA	6	5	30	286T	4	1770	230/460	1/2	60 ¹ / ₁₆	24 ⁵ / ₈	15 ⁵ / ₈	18 ¹ / ₁₆	13 ³ / ₄	10 ¹³ / ₁₆	25 ¹⁵ / ₁₆	33 ⁵ / ₈
6 x 5 x 11 HA	6	5	40	324T	4	1770	208-230/460	1/2	64 ¹ / ₂	24 ⁵ / ₈	15 ⁵ / ₈	18 ¹ / ₁₆	13 ³ / ₄	10 ¹³ / ₁₆	30 ³ / ₈	33 ⁵ / ₈
6 x 5 x 11 HA	6	5	50	326T	4	1775	230/460	1/2	64 ¹ / ₂	24 ⁵ / ₈	15 ⁵ / ₈	18 ¹ / ₁₆	13 ³ / ₄	10 ¹³ / ₁₆	30 ³ / ₈	33 ⁵ / ₈
6 x 5 x 18 DS	6	5	125	405T	4	1775	460	1/2	88 ¹ / ₁₆	29 ¹ / ₂	20 ¹ / ₂	22 ¹³ / ₁₆	15 ³ / ₄	13 ³ / ₄	44 ¹ / ₄	43 ⁵ / ₁₆
6 x 5 x 18 DS	6	5	150	444T	4	1780	460	1/2	88 ¹ / ₁₆	29 ¹ / ₂	20 ¹ / ₂	22 ¹³ / ₁₆	15 ³ / ₄	13 ³ / ₄	44 ¹ / ₄	43 ⁵ / ₁₆
6 x 5 x 18 DS	6	5	200	445T	4	1780	460	1/2	88 ¹ / ₁₆	29 ¹ / ₂	20 ¹ / ₂	22 ¹³ / ₁₆	15 ³ / ₄	13 ³ / ₄	44 ¹ / ₄	43 ⁵ / ₁₆
6 x 5 x 18 DS	6	5	250	445T	4	1780	460	3/16	91 ¹ / ₄	29 ¹ / ₂	20 ¹ / ₂	22 ¹³ / ₁₆	15 ³ / ₄	13 ³ / ₄	47 ³ / ₄	43 ⁵ / ₁₆
6 x 5 x 12-1/2 HA	6	5	30	286T	4	1770	230/460	1/2	60 ¹ / ₁₆	25 ¹ / ₁₆	15 ⁵ / ₈	18 ¹ / ₁₆	13 ³ / ₄	11 ¹ / ₄	25 ¹⁵ / ₁₆	33 ⁵ / ₈
6 x 5 x 12-1/2 HA	6	5	40	324T	4	1770	208-230/460	1/2	64 ¹ / ₂	25 ¹ / ₁₆	15 ⁵ / ₈	18 ¹ / ₁₆	13 ³ / ₄	11 ¹ / ₄	30 ³ / ₈	33 ⁵ / ₈
6 x 5 x 12-1/2 HA	6	5	50	326T	4	1775	230/460	1/2	64 ¹ / ₂	25 ¹ / ₁₆	15 ⁵ / ₈	18 ¹ / ₁₆	13 ³ / ₄	11 ¹ / ₄	30 ³ / ₈	33 ⁵ / ₈
6 x 5 x 12-1/2 HA	6	5	60	364T	4	1775	230/460	1/2	67 ¹ / ₈	25 ¹ / ₁₆	15 ⁵ / ₈	18 ¹ / ₁₆	13 ³ / ₄	11 ¹ / ₄	33	33 ⁵ / ₈
6 x 5 x 12-1/2 HA	6	5	75	365T	4	1780	230/460	1/2	67 ¹ / ₈	25 ¹ / ₁₆	15 ⁵ / ₈	18 ¹ / ₁₆	13 ³ / ₄	11 ¹ / ₄	33	33 ⁵ / ₈
6 x 5 x 12-1/2 HA	6	5	100	404T	4	1775	230/460	1/2	71 ³ / ₈	25 ¹ / ₁₆	15 ⁵ / ₈	18 ¹ / ₁₆	13 ³ / ₄	11 ¹ / ₄	37 ¹ / ₄	33 ⁵ / ₈
6 x 5 x 18-1/2 HA	6	5	100	404T	4	1775	230/460	1/2	78 ¹³ / ₁₆	32 ⁵ / ₁₆	19	22 ¹ / ₁₆	16 ⁹ / ₁₆	15 ³ / ₄	37 ¹ / ₄	41 ¹ / ₁₆
6 x 5 x 18-1/2 HA	6	5	125	405T	4	1775	460	1/2	85 ¹³ / ₁₆	32 ⁵ / ₁₆	19	22 ¹ / ₁₆	16 ⁹ / ₁₆	15 ³ / ₄	44 ¹ / ₄	41 ¹ / ₁₆
6 x 5 x 18-1/2 HA	6	5	150	444T	4	1780	460	1/2	85 ¹³ / ₁₆	32 ⁵ / ₁₆	19	22 ¹ / ₁₆	16 ⁹ / ₁₆	15 ³ / ₄	44 ¹ / ₄	41 ¹ / ₁₆
6 x 5 x 18-1/2 HA	6	5	200	445T	4	1780	460	1/2	85 ¹³ / ₁₆	32 ⁵ / ₁₆	19	22 ¹ / ₁₆	16 ⁹ / ₁₆	15 ³ / ₄	44 ¹ / ₄	41 ¹ / ₁₆
6 x 5 x 18-1/2 HA	6	5	250	445T	4	1780	460	3/16	89	32 ⁵ / ₁₆	19	22 ¹ / ₁₆	16 ⁹ / ₁₆	15 ³ / ₄	47 ³ / ₄	41 ¹ / ₁₆
6 x 5 x 18-1/2 HA	6	5	300	445T	4	1780	460	3/16	94 ¹¹ / ₁₆	32 ⁵ / ₁₆	19	22 ¹ / ₁₆	16 ⁹ / ₁₆	15 ³ / ₄	53 ³ / ₈	41 ¹ / ₁₆

- Dimensions are subject to change
- Not be used for construction purposes unless certified.

Pumps with axially split housing

Single pumps (heating, air-conditioning, cooling and industry)



Dimensions, weights Wilo-SCP

Dimensions, weights of pump set (US units) – 4 pole motors

Wilo-SCP...	Nominal diameter		Power consumption	Dimensions										Weight	Dimension drawing			
	DN S	DN D		P ₂	H ₁	H ₂	HP	Ht	S ₁	S ₂	S ₃	S ₄	S ₅			SL	M	-
	[inch]			[hp]	[in.]												[lbs]	-
5 x 4 x 10-1/2 HA	5	4	10	10 ⁵ / ₈	7 ¹³ / ₁₆	23	8 ¹¹ / ₁₆	4 ¹ / ₄	4	32 ⁷ / ₈	12 ⁵ / ₈	14 ³ / ₁₆	40 ⁷ / ₈	615	A			
5 x 4 x 10-1/2 HA	5	4	15	10 ⁵ / ₈	7 ¹³ / ₁₆	23	8 ¹¹ / ₁₆	4 ¹ / ₄	4	35 ⁵ / ₈	12 ¹ / ₁₆	13 ³ / ₈	43 ⁵ / ₈	684	A			
5 x 4 x 10-1/2 HA	5	4	20	10 ⁵ / ₈	7 ¹³ / ₁₆	23	8 ¹¹ / ₁₆	4 ¹ / ₄	4	37 ³ / ₈	12 ¹ / ₁₆	13 ⁵ / ₈	45 ³ / ₈	751	A			
5 x 4 x 10-1/2 HA	5	4	25	10 ⁵ / ₈	7 ¹³ / ₁₆	23	8 ¹¹ / ₁₆	4 ¹ / ₄	4	39 ¹ / ₂	13 ¹ / ₁₆	14 ⁵ / ₈	47 ¹ / ₂	830	A			
5 x 4 x 10-1/2 HA	5	4	30	10 ⁵ / ₈	7 ¹³ / ₁₆	23	8 ¹¹ / ₁₆	4 ¹ / ₄	4	39 ¹ / ₂	13 ¹ / ₁₆	14 ⁵ / ₈	47 ¹ / ₂	849	A			
5 x 4 x 11 HA	5	4	10	10 ⁵ / ₈	7 ¹ / ₂	22 ³ / ₄	8 ³ / ₈	4 ¹ / ₄	4	32 ⁷ / ₈	12 ⁵ / ₈	14 ³ / ₁₆	40 ⁷ / ₈	549	A			
5 x 4 x 11 HA	5	4	15	10 ⁵ / ₈	7 ¹ / ₂	22 ³ / ₄	8 ³ / ₈	4 ¹ / ₄	4	35 ⁵ / ₈	12 ⁵ / ₈	14 ³ / ₁₆	43 ⁵ / ₈	618	A			
5 x 4 x 11 HA	5	4	20	10 ⁵ / ₈	7 ¹ / ₂	22 ³ / ₄	8 ³ / ₈	4 ¹ / ₄	4	37 ³ / ₈	12 ⁵ / ₈	14 ³ / ₁₆	45 ³ / ₈	685	A			
5 x 4 x 11 HA	5	4	25	10 ⁵ / ₈	7 ¹ / ₂	22 ³ / ₄	8 ³ / ₈	4 ¹ / ₄	4	39 ¹ / ₂	13 ¹ / ₁₆	14 ⁵ / ₈	47 ¹ / ₂	764	A			
5 x 4 x 11 HA	5	4	30	10 ⁵ / ₈	7 ¹ / ₂	22 ³ / ₄	8 ³ / ₈	4 ¹ / ₄	4	39 ¹ / ₂	13 ¹ / ₁₆	14 ⁵ / ₈	47 ¹ / ₂	783	A			
5 x 4 x 11 HA	5	4	40	10 ⁵ / ₈	7 ¹ / ₂	22 ³ / ₄	8 ³ / ₈	4 ¹ / ₄	4	41 ⁷ / ₈	15 ¹ / ₁₆	16 ⁵ / ₈	49 ⁷ / ₈	933	A			
5 x 4 x 14 HA	5	4	20	12 ⁵ / ₈	9 ⁵ / ₈	26 ⁷ / ₈	8 ³ / ₈	4 ¹ / ₄	4	37 ³ / ₈	13 ¹ / ₁₆	15	45 ³ / ₈	722	A			
5 x 4 x 14 HA	5	4	25	12 ⁵ / ₈	9 ⁵ / ₈	26 ⁷ / ₈	8 ³ / ₈	4 ¹ / ₄	4	39 ¹ / ₂	13 ¹ / ₁₆	14 ⁵ / ₈	47 ¹ / ₂	811	A			
5 x 4 x 14 HA	5	4	30	12 ⁵ / ₈	9 ⁵ / ₈	26 ⁷ / ₈	8 ³ / ₈	4 ¹ / ₄	4	39 ¹ / ₂	13 ¹ / ₁₆	14 ⁵ / ₈	47 ¹ / ₂	830	A			
5 x 4 x 14 HA	5	4	40	12 ⁵ / ₈	9 ⁵ / ₈	26 ⁷ / ₈	8 ³ / ₈	4 ¹ / ₄	4	41 ⁷ / ₈	15 ¹ / ₁₆	16 ⁵ / ₈	49 ⁷ / ₈	970	A			
5 x 4 x 14 HA	5	4	50	12 ⁵ / ₈	9 ⁵ / ₈	26 ⁷ / ₈	8 ³ / ₈	4 ¹ / ₄	4	41 ⁷ / ₈	15 ¹ / ₁₆	16 ⁵ / ₈	49 ⁷ / ₈	1011	A			
5 x 4 x 15-1/2 HA	5	4	40	12 ⁵ / ₈	9 ⁵ / ₈	26 ⁷ / ₈	8 ³ / ₈	4 ¹ / ₄	4	41 ⁷ / ₈	15 ¹ / ₁₆	16 ⁵ / ₈	49 ⁷ / ₈	970	A			
5 x 4 x 15-1/2 HA	5	4	50	12 ⁵ / ₈	9 ⁵ / ₈	26 ⁷ / ₈	8 ³ / ₈	4 ¹ / ₄	4	41 ⁷ / ₈	15 ¹ / ₁₆	16 ⁵ / ₈	49 ⁷ / ₈	1011	A			
5 x 4 x 15-1/2 HA	5	4	60	12 ⁵ / ₈	9 ⁵ / ₈	26 ⁷ / ₈	8 ³ / ₈	4 ¹ / ₄	4	43 ³ / ₈	16 ⁹ / ₁₆	18 ¹ / ₈	51 ³ / ₈	1198	A			
5 x 4 x 15-1/2 HA	5	4	75	12 ⁵ / ₈	9 ⁵ / ₈	26 ⁷ / ₈	8 ³ / ₈	4 ¹ / ₄	4	43 ³ / ₈	16 ⁹ / ₁₆	18 ¹ / ₈	51 ³ / ₈	1345	A			
5 x 4 x 15-1/2 HA	5	4	100	12 ⁵ / ₈	9 ⁵ / ₈	26 ⁷ / ₈	8 ³ / ₈	4 ¹ / ₄	4	47 ⁵ / ₁₆	19 ⁵ / ₁₆	20 ⁷ / ₈	55 ⁵ / ₁₆	1310	A			
5 x 4 x 15-1/2 HA	5	4	125	12 ⁵ / ₈	9 ⁵ / ₈	26 ⁷ / ₈	8 ³ / ₈	4 ¹ / ₄	4	47 ⁵ / ₁₆	19 ⁵ / ₁₆	20 ⁷ / ₈	55 ⁵ / ₁₆	1525	A			
5 x 4 x 16 DS	5	4	50	13 ³ / ₄	14 ³ / ₈	33 ¹³ / ₁₆	10 ³ / ₄	3	4	44 ¹⁵ / ₁₆	15 ¹³ / ₁₆	18 ¹ / ₈	52 ¹⁵ / ₁₆	1295	B			
5 x 4 x 16 DS	5	4	60	13 ³ / ₄	14 ³ / ₈	33 ¹³ / ₁₆	10 ³ / ₄	3	4	46 ⁷ / ₁₆	15 ¹³ / ₁₆	18 ¹ / ₈	54 ⁷ / ₁₆	1481	B			
5 x 4 x 16 DS	5	4	75	13 ³ / ₄	14 ³ / ₈	33 ¹³ / ₁₆	10 ³ / ₄	3	4	46 ⁷ / ₁₆	15 ¹³ / ₁₆	18 ¹ / ₈	54 ⁷ / ₁₆	1630	B			
5 x 4 x 16 DS	5	4	100	13 ³ / ₄	14 ³ / ₈	33 ¹³ / ₁₆	10 ³ / ₄	3	4	50 ⁷ / ₁₆	18 ¹ / ₂	20 ⁷ / ₈	58 ⁷ / ₁₆	1579	B			
5 x 4 x 16 DS	5	4	125	13 ³ / ₄	14 ³ / ₈	33 ¹³ / ₁₆	10 ³ / ₄	3	4	50 ⁷ / ₁₆	18 ¹ / ₂	20 ⁷ / ₈	58 ⁷ / ₁₆	1794	B			
6 x 5 x 11 HA	6	5	20	12 ⁵ / ₈	9 ⁷ / ₁₆	27 ¹¹ / ₁₆	9 ⁷ / ₈	4 ¹ / ₄	4	39 ¹¹ / ₁₆	12 ⁵ / ₈	15	47 ¹¹ / ₁₆	768	A			
6 x 5 x 11 HA	6	5	25	12 ⁵ / ₈	9 ⁷ / ₁₆	27 ¹¹ / ₁₆	9 ⁷ / ₈	4 ¹ / ₄	4	41 ¹³ / ₁₆	12 ⁵ / ₁₆	14 ⁵ / ₈	49 ¹³ / ₁₆	859	A			
6 x 5 x 11 HA	6	5	30	12 ⁵ / ₈	9 ⁷ / ₁₆	27 ¹¹ / ₁₆	9 ⁷ / ₈	4 ¹ / ₄	4	41 ¹³ / ₁₆	12 ⁵ / ₁₆	14 ⁵ / ₈	49 ¹³ / ₁₆	878	A			
6 x 5 x 11 HA	6	5	40	12 ⁵ / ₈	9 ⁷ / ₁₆	27 ¹¹ / ₁₆	9 ⁷ / ₈	4 ¹ / ₄	4	44 ³ / ₁₆	14 ⁵ / ₁₆	16 ⁵ / ₈	52 ³ / ₁₆	1017	A			
6 x 5 x 11 HA	6	5	50	12 ⁵ / ₈	9 ⁷ / ₁₆	27 ¹¹ / ₁₆	9 ⁷ / ₈	4 ¹ / ₄	4	44 ³ / ₁₆	14 ⁵ / ₁₆	16 ⁵ / ₈	52 ³ / ₁₆	1058	A			
6 x 5 x 18 DS	6	5	125	15 ³ / ₄	16 ³ / ₈	37 ¹¹ / ₁₆	11 ¹⁵ / ₁₆	3 ⁷ / ₈	4	54 ¹ / ₁₆	21 ¹ / ₈	23 ⁷ / ₁₆	62 ¹ / ₁₆	2314	B			
6 x 5 x 18 DS	6	5	150	15 ³ / ₄	16 ³ / ₈	37 ¹¹ / ₁₆	11 ¹⁵ / ₁₆	3 ⁷ / ₈	4	59 ³ / ₁₆	21 ⁹ / ₁₆	23 ⁷ / ₈	67 ³ / ₁₆	2935	B			
6 x 5 x 18 DS	6	5	200	15 ³ / ₄	16 ³ / ₈	37 ¹¹ / ₁₆	11 ¹⁵ / ₁₆	3 ⁷ / ₈	4	59 ³ / ₁₆	21 ⁹ / ₁₆	23 ⁷ / ₈	67 ³ / ₁₆	3068	B			
6 x 5 x 18 DS	6	5	250	15 ³ / ₄	16 ³ / ₈	37 ¹¹ / ₁₆	11 ¹⁵ / ₁₆	3 ⁷ / ₈	4	59 ⁷ / ₈	21 ⁹ / ₁₆	23 ⁷ / ₈	67 ⁷ / ₈	on request	B			
6 x 5 x 12-1/2 HA	6	5	30	12 ⁵ / ₈	9 ⁷ / ₁₆	27 ¹¹ / ₁₆	9 ⁷ / ₈	4 ¹ / ₄	4	41 ¹³ / ₁₆	12 ⁵ / ₁₆	14 ⁵ / ₈	49 ¹³ / ₁₆	944	A			
6 x 5 x 12-1/2 HA	6	5	40	12 ⁵ / ₈	9 ⁷ / ₁₆	27 ¹¹ / ₁₆	9 ⁷ / ₈	4 ¹ / ₄	4	44 ³ / ₁₆	14 ⁵ / ₁₆	16 ⁵ / ₈	52 ³ / ₁₆	1083	A			
6 x 5 x 12-1/2 HA	6	5	50	12 ⁵ / ₈	9 ⁷ / ₁₆	27 ¹¹ / ₁₆	9 ⁷ / ₈	4 ¹ / ₄	4	44 ³ / ₁₆	14 ⁵ / ₁₆	16 ⁵ / ₈	52 ³ / ₁₆	1124	A			
6 x 5 x 12-1/2 HA	6	5	60	12 ⁵ / ₈	9 ⁷ / ₁₆	27 ¹¹ / ₁₆	9 ⁷ / ₈	4 ¹ / ₄	4	45 ¹¹ / ₁₆	15 ¹³ / ₁₆	18 ¹ / ₈	53 ¹¹ / ₁₆	1313	A			
6 x 5 x 12-1/2 HA	6	5	75	12 ⁵ / ₈	9 ⁷ / ₁₆	27 ¹¹ / ₁₆	9 ⁷ / ₈	4 ¹ / ₄	4	45 ¹¹ / ₁₆	15 ¹³ / ₁₆	18 ¹ / ₈	53 ¹¹ / ₁₆	1460	A			
6 x 5 x 12-1/2 HA	6	5	100	12 ⁵ / ₈	9 ⁷ / ₁₆	27 ¹¹ / ₁₆	9 ⁷ / ₈	4 ¹ / ₄	4	49 ¹¹ / ₁₆	18 ¹ / ₂	20 ⁷ / ₈	57 ¹¹ / ₁₆	1427	A			
6 x 5 x 18-1/2 HA	6	5	100	16 ⁵ / ₁₆	12 ⁵ / ₈	34 ³ / ₄	10 ⁹ / ₁₆	5 ¹³ / ₁₆	4	55 ¹ / ₄	18 ¹⁵ / ₁₆	21 ⁵ / ₁₆	63 ¹ / ₄	2150	A			
6 x 5 x 18-1/2 HA	6	5	125	16 ⁵ / ₁₆	12 ⁵ / ₈	34 ³ / ₄	10 ⁹ / ₁₆	5 ¹³ / ₁₆	4	55 ¹ / ₄	18 ¹⁵ / ₁₆	21 ⁵ / ₁₆	63 ¹ / ₄	2365	A			
6 x 5 x 18-1/2 HA	6	5	150	16 ⁵ / ₁₆	12 ⁵ / ₈	34 ³ / ₄	10 ⁹ / ₁₆	5 ¹³ / ₁₆	4	60 ³ / ₈	21 ⁹ / ₁₆	23 ⁷ / ₈	68 ³ / ₈	2982	A			
6 x 5 x 18-1/2 HA	6	5	200	16 ⁵ / ₁₆	12 ⁵ / ₈	34 ³ / ₄	10 ⁹ / ₁₆	5 ¹³ / ₁₆	4	60 ³ / ₈	21 ⁹ / ₁₆	23 ⁷ / ₈	68 ³ / ₈	3115	A			
6 x 5 x 18-1/2 HA	6	5	250	16 ⁵ / ₁₆	12 ⁵ / ₈	34 ³ / ₄	10 ⁹ / ₁₆	5 ¹³ / ₁₆	4	60 ¹ / ₁₆	21 ⁹ / ₁₆	23 ⁷ / ₈	68 ¹ / ₁₆	on request	A			
6 x 5 x 18-1/2 HA	6	5	300	16 ⁵ / ₁₆	12 ⁵ / ₈	34 ³ / ₄	10 ⁹ / ₁₆	5 ¹³ / ₁₆	4	60 ¹ / ₁₆	21 ⁹ / ₁₆	23 ⁷ / ₈	68 ¹ / ₁₆	on request	A			

- Dimensions are subject to change
- Not to be used for construction purposes unless certified.

Pumps with axially split housing

Single pumps (heating, air-conditioning, cooling and industry)



Dimensions, weights Wilo-SCP

Dimensions, weights of pump set (US units) – 4 pole motors

Wilo-SCP...	Nominal diameter		Power consumption	Motor housing	Number of poles	Nominal speed	Rated voltage	Dimensions								
	DN S	DN D						P ₂	-		n	U	a	L	I	L ₁
	[inch]	[inch]	[hp]	[-]	[-]	[rpm]	[V]	[in.]								
8 x 6 x 11 HA	8	6	50	326T	4	1775	230/460	1/2	64 1/2	24 3/16	15 5/8	18 1/16	13 3/4	10 7/16	30 3/8	33 5/8
8 x 6 x 11 HA	8	6	60	364T	4	1775	230/460	1/2	67 1/8	24 3/16	15 5/8	18 1/16	13 3/4	10 7/16	33	33 5/8
8 x 6 x 11 HA	8	6	75	365T	4	1780	230/460	1/2	67 1/8	24 3/16	15 5/8	18 1/16	13 3/4	10 7/16	33	33 5/8
8 x 6 x 11 HA	8	6	100	404T	4	1775	230/460	1/2	71 3/8	24 3/16	15 5/8	18 1/16	13 3/4	10 7/16	37 1/4	33 5/8
8 x 6 x 15 HA	8	6	40	324T	4	1770	208-230/460	1/2	65 3/4	29	16 3/16	18 11/16	16	13	30 3/8	34 13/16
8 x 6 x 15 HA	8	6	50	326T	4	1775	230/460	1/2	65 3/4	29	16 3/16	18 11/16	16	13	30 3/8	34 13/16
8 x 6 x 15 HA	8	6	60	364T	4	1775	230/460	1/2	68 3/8	29	16 3/16	18 11/16	16	13	33	34 13/16
8 x 6 x 15 HA	8	6	75	365T	4	1780	230/460	1/2	68 3/8	29	16 3/16	18 11/16	16	13	33	34 13/16
8 x 6 x 15 HA	8	6	100	404T	4	1775	230/460	1/2	72 9/16	29	16 3/16	18 11/16	16	13	37 1/4	34 13/16
8 x 6 x 15 HA	8	6	125	405T	4	1775	460	1/2	79 9/16	29	16 3/16	18 11/16	16	13	44 1/4	34 13/16
8 x 6 x 15 HA	8	6	150	444T	4	1780	460	1/2	79 9/16	29	16 3/16	18 11/16	16	13	44 1/4	34 13/16
8 x 6 x 15 HA	8	6	200	445T	4	1780	460	1/2	79 9/16	29	16 3/16	18 11/16	16	13	44 1/4	34 13/16
8 x 6 x 17 HA	8	6	100	404T	4	1775	230/460	1/2	72 9/16	32	16 3/16	18 11/16	17	15	37 1/4	34 13/16
8 x 6 x 17 HA	8	6	125	405T	4	1775	460	1/2	79 9/16	32	16 3/16	18 11/16	17	15	44 1/4	34 13/16
8 x 6 x 17 HA	8	6	150	444T	4	1780	460	1/2	79 9/16	32	16 3/16	18 11/16	17	15	44 1/4	34 13/16
8 x 6 x 17 HA	8	6	200	445T	4	1780	460	1/2	79 9/16	32	16 3/16	18 11/16	17	15	44 1/4	34 13/16
8 x 6 x 17 HA	8	6	250	445T	4	1780	460	3/16	82 13/16	32	16 3/16	18 11/16	17	15	47 3/4	34 13/16
8 x 6 x 17-1/2 HA	8	6	60	364T	4	1775	230/460	1/2	68 3/8	32	16 3/16	18 11/16	17	15	33	34 13/16
8 x 6 x 17-1/2 HA	8	6	75	365T	4	1780	230/460	1/2	68 3/8	32	16 3/16	18 11/16	17	15	33	34 13/16
8 x 6 x 17-1/2 HA	8	6	100	404T	4	1775	230/460	1/2	79 9/16	32	16 3/16	18 11/16	17	15	37 1/4	34 13/16
8 x 6 x 17-1/2 HA	8	6	125	405T	4	1775	460	1/2	79 9/16	32	16 3/16	18 11/16	17	15	44 1/4	34 13/16
8 x 6 x 17-1/2 HA	8	6	150	444T	4	1780	460	1/2	79 9/16	32	16 3/16	18 11/16	17	15	44 1/4	34 13/16
8 x 6 x 17-1/2 HA	8	6	200	445T	4	1780	460	1/2	79 9/16	32	16 3/16	18 11/16	17	15	44 1/4	34 13/16
8 x 6 x 18 DS	8	6	150	444T	4	1780	460	1/2	92 3/4	30 5/16	21 7/8	26 3/16	17 5/16	13	44 1/4	48
8 x 6 x 18 DS	8	6	200	445T	4	1780	460	1/2	92 3/4	30 5/16	21 7/8	26 3/16	17 5/16	13	44 1/4	48
8 x 6 x 18 DS	8	6	250	445T	4	1780	460	3/16	96	30 5/16	21 7/8	26 3/16	17 5/16	13	47 3/4	48
8 x 6 x 18 DS	8	6	300	445T	4	1780	460	3/16	101 5/8	30 5/16	21 7/8	26 3/16	17 5/16	13	53 3/8	48
8 x 6 x 18 DS	8	6	350	449T	4	1780	460	3/16	101 5/8	30 5/16	21 7/8	26 3/16	17 5/16	13	53 3/8	48
8 x 6 x 20-1/2 HA	8	6	125	405T	4	1775	460	1/2	89 1/8	35 1/16	19 7/8	24 1/2	17 11/16	17 5/16	44 1/4	44 3/8
8 x 6 x 20-1/2 HA	8	6	150	444T	4	1780	460	1/2	89 1/8	35 1/16	19 7/8	24 1/2	17 11/16	17 5/16	44 1/4	44 3/8
8 x 6 x 20-1/2 HA	8	6	200	445T	4	1780	460	1/2	89 1/8	35 1/16	19 7/8	24 1/2	17 11/16	17 5/16	44 1/4	44 3/8
8 x 6 x 20-1/2 HA	8	6	250	445T	4	1780	460	3/16	92 5/16	35 1/16	19 7/8	24 1/2	17 11/16	17 5/16	47 3/4	44 3/8
8 x 6 x 20-1/2 HA	8	6	300	445T	4	1780	460	3/16	98	35 1/16	19 7/8	24 1/2	17 11/16	17 5/16	53 3/8	44 3/8
8 x 6 x 20-1/2 HA	8	6	350	449T	4	1780	460	3/16	98	35 1/16	19 7/8	24 1/2	17 11/16	17 5/16	53 3/8	44 3/8
8 x 6 x 20-1/2 HA	8	6	400	449T	4	1780	460	3/16	98	35 1/16	19 7/8	24 1/2	17 11/16	17 5/16	53 3/8	44 3/8
8 x 8 x 12 HA	8	8	50	326T	4	1775	230/460	1/2	65 3/4	28 1/2	16 3/16	18 11/16	16	12 1/2	30 3/8	34 13/16
8 x 8 x 12 HA	8	8	60	364T	4	1775	230/460	1/2	68 3/8	28 1/2	16 3/16	18 11/16	16	12 1/2	33	34 13/16
8 x 8 x 12 HA	8	8	75	365T	4	1780	230/460	1/2	68 3/8	28 1/2	16 3/16	18 11/16	16	12 1/2	33	34 13/16
8 x 8 x 12 HA	8	8	100	404T	4	1775	230/460	1/2	72 9/16	28 1/2	16 3/16	18 11/16	16	12 1/2	37 1/4	34 13/16
8 x 8 x 12 HA	8	8	125	405T	4	1775	460	1/2	72 9/16	28 1/2	16 3/16	18 11/16	16	12 1/2	44 1/4	34 13/16

- Dimensions are subject to change
- Not to be used for construction purposes unless certified.

Pumps with axially split housing

Single pumps (heating, air-conditioning, cooling and industry)



Dimensions, weights Wilo-SCP

Dimensions, weights of pump set (US units) – 4 pole motors

Wilo-SCP...	Nominal diameter		Power consumption P ₂	Dimensions										Weight M	Dimension drawing
	DN S	DN D		H ₁	H ₂	HP	Ht	S ₁	S ₂	S ₃	S ₄	S ₅	SL		
	[inch]	[inch]		[hp]	[in.]	[in.]	[in.]	[in.]	[in.]	[in.]	[in.]	[in.]	[in.]		
8 x 6 x 11 HA	8	6	50	14 ¹⁵ / ₁₆	10 ¹ / ₁₆	30 ⁵ / ₈	11 ¹⁵ / ₁₆	3 ⁷ / ₈	4	43 ¹³ / ₁₆	15 ³ / ₁₆	17 ⁹ / ₁₆	51 ¹³ / ₁₆	1492	A
8 x 6 x 11 HA	8	6	60	14 ¹⁵ / ₁₆	10 ¹ / ₁₆	30 ⁵ / ₈	11 ¹⁵ / ₁₆	3 ⁷ / ₈	4	45 ⁵ / ₁₆	15 ³ / ₁₆	18 ¹ / ₈	53 ⁵ / ₁₆	1684	A
8 x 6 x 11 HA	8	6	75	14 ¹⁵ / ₁₆	10 ¹ / ₁₆	30 ⁵ / ₈	11 ¹⁵ / ₁₆	3 ⁷ / ₈	4	45 ⁵ / ₁₆	15 ³ / ₁₆	18 ¹ / ₈	53 ⁵ / ₁₆	1831	A
8 x 6 x 11 HA	8	6	100	14 ¹⁵ / ₁₆	10 ¹ / ₁₆	30 ⁵ / ₈	11 ¹⁵ / ₁₆	3 ⁷ / ₈	4	49 ¹ / ₄	18 ¹ / ₂	20 ⁷ / ₈	57 ¹ / ₄	1778	A
8 x 6 x 15 HA	8	6	40	13 ¹ / ₂	11	30 ⁵ / ₈	10 ⁵ / ₁₆	6 ¹ / ₄	4	46 ¹³ / ₁₆	17 ³ / ₈	19 ³ / ₄	54 ¹³ / ₁₆	1391	A
8 x 6 x 15 HA	8	6	50	13 ¹ / ₂	11	30 ⁵ / ₈	10 ⁵ / ₁₆	6 ¹ / ₄	4	46 ¹³ / ₁₆	17 ³ / ₈	19 ³ / ₄	54 ¹³ / ₁₆	1432	A
8 x 6 x 15 HA	8	6	60	13 ¹ / ₂	11	30 ⁵ / ₈	10 ⁵ / ₁₆	6 ¹ / ₄	4	48 ⁵ / ₁₆	17 ³ / ₈	19 ³ / ₄	56 ⁵ / ₁₆	1617	A
8 x 6 x 15 HA	8	6	75	13 ¹ / ₂	11	30 ⁵ / ₈	10 ⁵ / ₁₆	6 ¹ / ₄	4	48 ⁵ / ₁₆	17 ³ / ₈	19 ³ / ₄	56 ⁵ / ₁₆	1764	A
8 x 6 x 15 HA	8	6	100	13 ¹ / ₂	11	30 ⁵ / ₈	10 ⁵ / ₁₆	6 ¹ / ₄	4	52 ¹ / ₄	18 ¹ / ₂	20 ⁷ / ₈	60 ¹ / ₄	1694	A
8 x 6 x 15 HA	8	6	125	13 ¹ / ₂	11	30 ⁵ / ₈	10 ⁵ / ₁₆	6 ¹ / ₄	4	52 ¹ / ₄	18 ¹ / ₂	20 ⁷ / ₈	60 ¹ / ₄	1909	A
8 x 6 x 15 HA	8	6	150	13 ¹ / ₂	11	30 ⁵ / ₈	10 ⁵ / ₁₆	6 ¹ / ₄	4	57 ³ / ₈	21 ⁹ / ₁₆	23 ⁷ / ₈	65 ³ / ₈	2546	A
8 x 6 x 15 HA	8	6	200	13 ¹ / ₂	11	30 ⁵ / ₈	10 ⁵ / ₁₆	6 ¹ / ₄	4	47 ³ / ₁₆	21 ⁹ / ₁₆	23 ⁷ / ₈	55 ³ / ₁₆	2679	A
8 x 6 x 17 HA	8	6	100	16 ³ / ₄	12	34 ⁹ / ₁₆	11 ³ / ₄	6 ¹ / ₄	4	52 ¹ / ₄	18 ¹ / ₂	20 ⁷ / ₈	60 ¹ / ₄	1844	A
8 x 6 x 17 HA	8	6	125	16 ³ / ₄	12	34 ⁹ / ₁₆	11 ³ / ₄	6 ¹ / ₄	4	52 ¹ / ₄	18 ¹ / ₂	20 ⁷ / ₈	60 ¹ / ₄	2059	A
8 x 6 x 17 HA	8	6	150	16 ³ / ₄	12	34 ⁹ / ₁₆	11 ³ / ₄	6 ¹ / ₄	4	57 ³ / ₈	21 ⁹ / ₁₆	23 ⁷ / ₈	65 ³ / ₈	2685	A
8 x 6 x 17 HA	8	6	200	16 ³ / ₄	12	34 ⁹ / ₁₆	11 ³ / ₄	6 ¹ / ₄	4	57 ³ / ₈	21 ⁹ / ₁₆	23 ⁷ / ₈	65 ³ / ₈	2818	A
8 x 6 x 17 HA	8	6	250	16 ³ / ₄	12	34 ⁹ / ₁₆	11 ³ / ₄	6 ¹ / ₄	4	58 ¹ / ₈	21 ⁹ / ₁₆	23 ⁷ / ₈	66 ¹ / ₈	on request	A
8 x 6 x 17-1/2 HA	8	6	60	16 ³ / ₄	12	34 ⁹ / ₁₆	11 ³ / ₄	6 ¹ / ₄	4	48 ⁵ / ₁₆	17 ³ / ₈	19 ³ / ₄	56 ⁵ / ₁₆	1745	A
8 x 6 x 17-1/2 HA	8	6	75	16 ³ / ₄	12	34 ⁹ / ₁₆	11 ³ / ₄	6 ¹ / ₄	4	48 ⁵ / ₁₆	17 ³ / ₈	19 ³ / ₄	56 ⁵ / ₁₆	1894	A
8 x 6 x 17-1/2 HA	8	6	100	16 ³ / ₄	12	34 ⁹ / ₁₆	11 ³ / ₄	6 ¹ / ₄	4	52 ¹ / ₄	18 ¹ / ₂	20 ⁷ / ₈	60 ¹ / ₄	1844	A
8 x 6 x 17-1/2 HA	8	6	125	16 ³ / ₄	12	34 ⁹ / ₁₆	11 ³ / ₄	6 ¹ / ₄	4	52 ¹ / ₄	18 ¹ / ₂	20 ⁷ / ₈	60 ¹ / ₄	2059	A
8 x 6 x 17-1/2 HA	8	6	150	16 ³ / ₄	12	34 ⁹ / ₁₆	11 ³ / ₄	6 ¹ / ₄	4	57 ³ / ₈	21 ⁹ / ₁₆	23 ⁷ / ₈	65 ³ / ₈	2685	A
8 x 6 x 17-1/2 HA	8	6	200	16 ³ / ₄	12	34 ⁹ / ₁₆	11 ³ / ₄	6 ¹ / ₄	4	57 ³ / ₈	21 ⁹ / ₁₆	23 ⁷ / ₈	65 ³ / ₈	2818	A
8 x 6 x 18 DS	8	6	150	18 ¹ / ₂	12 ¹ / ₂	36 ¹³ / ₁₆	14 ¹ / ₂	8 ³ / ₈	4	67 ¹ / ₁₆	21 ⁹ / ₁₆	23 ⁷ / ₈	75 ¹ / ₁₆	3379	B
8 x 6 x 18 DS	8	6	200	18 ¹ / ₂	12 ¹ / ₂	36 ¹³ / ₁₆	14 ¹ / ₂	8 ³ / ₈	4	67 ¹ / ₁₆	21 ⁹ / ₁₆	23 ⁷ / ₈	75 ¹ / ₁₆	3512	B
8 x 6 x 18 DS	8	6	250	18 ¹ / ₂	12 ¹ / ₂	36 ¹³ / ₁₆	14 ¹ / ₂	8 ³ / ₈	4	67 ³ / ₄	21 ⁹ / ₁₆	23 ⁷ / ₈	75 ³ / ₄	on request	B
8 x 6 x 18 DS	8	6	300	18 ¹ / ₂	12 ¹ / ₂	36 ¹³ / ₁₆	14 ¹ / ₂	8 ³ / ₈	4	67 ³ / ₄	21 ⁹ / ₁₆	23 ⁷ / ₈	75 ³ / ₄	on request	B
8 x 6 x 18 DS	8	6	350	18 ¹ / ₂	12 ¹ / ₂	36 ¹³ / ₁₆	14 ¹ / ₂	8 ³ / ₈	4	76	21 ¹ / ₁₆	23 ³ / ₈	84	on request	B
8 x 6 x 20-1/2 HA	8	6	125	18 ⁵ / ₁₆	14 ⁹ / ₁₆	38 ¹³ / ₁₆	11 ⁵ / ₈	8 ³ / ₁₆	4	60 ¹ / ₁₆	21 ¹¹ / ₁₆	24 ¹ / ₁₆	68 ¹ / ₁₆	2562	A
8 x 6 x 20-1/2 HA	8	6	150	18 ⁵ / ₁₆	14 ⁹ / ₁₆	38 ¹³ / ₁₆	11 ⁵ / ₈	8 ³ / ₁₆	4	65 ³ / ₁₆	21 ¹¹ / ₁₆	24 ¹ / ₁₆	73 ³ / ₁₆	3177	A
8 x 6 x 20-1/2 HA	8	6	200	18 ⁵ / ₁₆	14 ⁹ / ₁₆	38 ¹³ / ₁₆	11 ⁵ / ₈	8 ³ / ₁₆	4	65 ³ / ₁₆	21 ¹¹ / ₁₆	24 ¹ / ₁₆	73 ³ / ₁₆	3310	A
8 x 6 x 20-1/2 HA	8	6	250	18 ⁵ / ₁₆	14 ⁹ / ₁₆	38 ¹³ / ₁₆	11 ⁵ / ₈	8 ³ / ₁₆	4	65 ¹⁵ / ₁₆	21 ¹¹ / ₁₆	24 ¹ / ₁₆	73 ¹⁵ / ₁₆	on request	A
8 x 6 x 20-1/2 HA	8	6	300	18 ⁵ / ₁₆	14 ⁹ / ₁₆	38 ¹³ / ₁₆	11 ⁵ / ₈	8 ³ / ₁₆	4	65 ¹⁵ / ₁₆	21 ¹¹ / ₁₆	24 ¹ / ₁₆	73 ¹⁵ / ₁₆	on request	A
8 x 6 x 20-1/2 HA	8	6	350	18 ⁵ / ₁₆	14 ⁹ / ₁₆	38 ¹³ / ₁₆	11 ⁵ / ₈	8 ³ / ₁₆	4	74 ³ / ₁₆	21 ¹¹ / ₁₆	24 ¹ / ₁₆	82 ³ / ₁₆	on request	A
8 x 6 x 20-1/2 HA	8	6	400	18 ⁵ / ₁₆	14 ⁹ / ₁₆	38 ¹³ / ₁₆	11 ⁵ / ₈	8 ³ / ₁₆	4	74 ³ / ₁₆	21 ¹¹ / ₁₆	24 ¹ / ₁₆	82 ³ / ₁₆	on request	A
8 x 8 x 12 HA	8	8	50	13 ¹ / ₂	10 ⁵ / ₈	29 ¹⁵ / ₁₆	10 ³ / ₈	6 ¹ / ₄	4	46 ¹³ / ₁₆	17 ³ / ₈	19 ³ / ₄	54 ¹³ / ₁₆	1516	A
8 x 8 x 12 HA	8	8	60	13 ¹ / ₂	10 ⁵ / ₈	29 ¹⁵ / ₁₆	10 ³ / ₈	6 ¹ / ₄	4	48 ⁵ / ₁₆	17 ³ / ₈	19 ³ / ₄	56 ⁵ / ₁₆	1701	A
8 x 8 x 12 HA	8	8	75	13 ¹ / ₂	10 ⁵ / ₈	29 ¹⁵ / ₁₆	10 ³ / ₈	6 ¹ / ₄	4	48 ⁵ / ₁₆	17 ³ / ₈	19 ³ / ₄	56 ⁵ / ₁₆	1850	A
8 x 8 x 12 HA	8	8	100	13 ¹ / ₂	10 ⁵ / ₈	29 ¹⁵ / ₁₆	10 ³ / ₈	6 ¹ / ₄	4	52 ¹ / ₄	18 ¹ / ₂	20 ⁷ / ₈	60 ¹ / ₄	1778	A
8 x 8 x 12 HA	8	8	125	13 ¹ / ₂	10 ⁵ / ₈	29 ¹⁵ / ₁₆	10 ³ / ₈	6 ¹ / ₄	4	52 ¹ / ₄	18 ¹ / ₂	20 ⁷ / ₈	60 ¹ / ₄	1993	A

- Dimensions are subject to change
- Not be used for construction purposes unless certified.

Pumps with axially split housing

Single pumps (heating, air-conditioning, cooling and industry)



Dimensions, weights Wilo-SCP

Dimensions, weights of pump set (US units) - 4 pole motors

Wilo-SCP...	Nominal diameter		Power consumption	Motor housing	Number of poles	Nominal speed	Rated voltage	Dimensions								
	DN S	DN D	P ₂	-	n	U	a	L	I	L ₁	L ₂	L ₃	L ₄	LM	LP	
	[inch]		[hp]	[-]	[-]	[rpm]	[V]	[in.]								
8 x 8 x 14-1/2 HA	8	8	100	404T	4	1775	230/460	1/2	78 13/16	30 5/16	19	22 1/16	16 9/16	13 3/4	37 1/4	41 1/16
8 x 8 x 14-1/2 HA	8	8	125	405T	4	1775	460	1/2	85 13/16	30 5/16	19	22 1/16	16 9/16	13 3/4	44 1/4	41 1/16
8 x 8 x 14-1/2 HA	8	8	150	444T	4	1780	460	1/2	85 13/16	30 5/16	19	22 1/16	16 9/16	13 3/4	44 1/4	41 1/16
8 x 8 x 14-1/2 HA	8	8	200	445T	4	1780	460	1/2	85 13/16	30 5/16	19	22 1/16	16 9/16	13 3/4	44 1/4	41 1/16
8 x 8 x 14-1/2 HA	8	8	250	445T	4	1780	460	3/16	89	30 5/16	19	22 1/16	16 9/16	13 3/4	47 3/4	41 1/16
8 x 8 x 14-1/2 HA	8	8	300	445T	4	1780	460	3/16	94 11/16	30 5/16	19	22 1/16	16 9/16	13 3/4	53 3/8	41 1/16
8 x 8 x 18-1/2 HA	8	8	200	445T	4	1780	460	1/2	89 1/2	36 1/2	20 11/16	24 7/8	18 1/2	18	44 1/4	44 3/4
8 x 8 x 18-1/2 HA	8	8	250	445T	4	1780	460	3/16	92 11/16	36 1/2	20 11/16	24 7/8	18 1/2	18	47 3/4	44 3/4
8 x 8 x 18-1/2 HA	8	8	300	445T	4	1780	460	3/16	98 3/8	36 1/2	20 11/16	24 7/8	18 1/2	18	53 3/8	44 3/4
8 x 8 x 18-1/2 HA	8	8	350	449T	4	1780	460	3/16	98 3/8	36 1/2	20 11/16	24 7/8	18 1/2	18	53 3/8	44 3/4
8 x 8 x 18-1/2 HA	8	8	400	449T	4	1780	460	3/16	98 3/8	36 1/2	20 11/16	24 7/8	18 1/2	18	53 3/8	44 3/4
8 x 8 x 21-1/2 HA	8	8	200	445T	4	1780	460	1/2	89 3/2	36 1/2	20 11/16	24 7/8	18 1/2	18	44 1/4	44 3/4
8 x 8 x 21-1/2 HA	8	8	250	445T	4	1780	460	3/16	92 11/16	36 1/2	20 11/16	24 7/8	18 1/2	18	47 3/4	44 3/4
8 x 8 x 21-1/2 HA	8	8	300	445T	4	1780	460	3/16	98 3/8	36 1/2	20 11/16	24 7/8	18 1/2	18	53 3/8	44 3/4
8 x 8 x 21-1/2 HA	8	8	350	449T	4	1780	460	3/16	98 3/8	36 1/2	20 11/16	24 7/8	18 1/2	18	53 3/8	44 3/4
8 x 8 x 21-1/2 HA	8	8	400	449T	4	1780	460	3/16	98 3/8	36 1/2	20 11/16	24 7/8	18 1/2	18	53 3/8	44 3/4
8 x 8 x 21-1/2 HA	8	8	500	on request	4	1760	on request	on request	on request	on request	20 11/16	24 7/8	18 1/2	18	on request	on request
10 x 8 x 12-1/2 HA	10	8	60	364T	4	1775	230/460	1/2	68 3/8	29 1/2	16 3/16	18 11/16	17	12 1/2	33	34 13/16
10 x 8 x 12-1/2 HA	10	8	75	365T	4	1780	230/460	1/2	68 3/8	29 1/2	16 3/16	18 11/16	17	12 1/2	33	34 13/16
10 x 8 x 12-1/2 HA	10	8	100	404T	4	1775	230/460	1/2	72 9/16	29 1/2	16 3/16	18 11/16	17	12 1/2	37 1/4	34 13/16
10 x 8 x 12-1/2 HA	10	8	125	405T	4	1775	460	1/2	79 9/16	29 1/2	16 3/16	18 11/16	17	12 1/2	44 1/4	34 13/16
10 x 8 x 12-1/2 HA	10	8	150	444T	4	1780	460	1/2	79 9/16	29 1/2	16 3/16	18 11/16	17	12 1/2	44 1/4	34 13/16
10 x 8 x 12-1/2 HA	10	8	200	445T	4	1780	460	1/2	79 9/16	29 1/2	16 3/16	18 11/16	17	12 1/2	44 1/4	34 13/16
10 x 8 x 15 HA	10	8	125	405T	4	1775	460	1/2	89 1/2	34	20 11/16	24 7/8	19	15	44 1/4	44 3/4
10 x 8 x 15 HA	10	8	150	444T	4	1780	460	1/2	89 1/2	34	20 11/16	24 7/8	19	15	44 1/4	44 3/4
10 x 8 x 15 HA	10	8	200	445T	4	1780	460	1/2	89 1/2	34	20 11/16	24 7/8	19	15	44 1/4	44 3/4
10 x 8 x 15 HA	10	8	250	445T	4	1780	460	3/16	92 11/16	34	20 11/16	24 7/8	19	15	47 3/4	44 3/4
10 x 8 x 15 HA	10	8	300	445T	4	1780	460	3/16	98 3/8	34	20 11/16	24 7/8	19	15	53 3/8	44 3/4
10 x 8 x 17 HA	10	8	125	405T	4	1775	460	1/2	89 3/8	33 1/16	19 7/8	24 1/2	17 5/16	15 3/4	44 1/4	44 3/8
10 x 8 x 17 HA	10	8	150	444T	4	1780	460	1/2	89 3/8	33 1/16	19 7/8	24 1/2	17 5/16	15 3/4	44 1/4	44 3/8
10 x 8 x 17 HA	10	8	200	445T	4	1780	460	1/2	89 3/8	33 1/16	19 7/8	24 1/2	17 5/16	15 3/4	44 1/4	44 3/8
10 x 8 x 17 HA	10	8	250	445T	4	1780	460	3/16	92 5/16	33 1/16	19 7/8	24 1/2	17 5/16	15 3/4	47 3/4	44 3/8
10 x 8 x 17 HA	10	8	300	445T	4	1780	460	3/16	98	33 1/16	19 7/8	24 1/2	17 5/16	15 3/4	53 3/8	44 3/8
10 x 8 x 17 HA	10	8	350	449T	4	1780	460	3/16	98	33 1/16	19 7/8	24 1/2	17 5/16	15 3/4	53 3/8	44 3/8
10 x 8 x 18 HA	10	8	200	445T	4	1780	460	1/2	89 3/2	37	20 11/16	24 7/8	19	18	44 1/4	44 3/4
10 x 8 x 18 HA	10	8	250	445T	4	1780	460	3/16	92 11/16	37	20 11/16	24 7/8	19	18	47 3/4	44 3/4
10 x 8 x 18 HA	10	8	300	445T	4	1780	460	3/16	98 3/8	37	20 11/16	24 7/8	19	18	53 3/8	44 3/4
10 x 8 x 18 HA	10	8	350	449T	4	1780	460	3/16	98 3/8	37	20 11/16	24 7/8	19	18	53 3/8	44 3/4
10 x 8 x 18 HA	10	8	400	449T	4	1780	460	3/16	98 3/8	37	20 11/16	24 7/8	19	18	53 3/8	44 3/4
10 x 8 x 18 HA	10	8	500	on request	4	1760	on request	on request	on request	on request	20 11/16	24 7/8	19	18 1/16	on request	on request
10 x 8 x 22 HA	10	8	350	449T	4	1780	460	3/16	104 1/4	38 9/16	23 3/8	27 5/16	20 1/2	18 1/16	53 3/8	50 11/16
10 x 8 x 22 HA	10	8	400	449T	4	1780	460	3/16	104 1/4	38 9/16	23 3/8	27 5/16	20 1/2	18 1/16	53 3/8	50 11/16
10 x 8 x 22 HA	10	8	500	on request	4	1760	on request	on request	on request	on request	23 3/8	27 5/16	20 1/2	18 1/16	on request	on request
10 x 8 x 22 HA	10	8	600	on request	4	1760	on request	on request	on request	on request	23 3/8	27 5/16	20 1/2	18 1/16	on request	on request
10 x 8 x 22 HA	10	8	700	on request	4	1760	on request	on request	on request	on request	23 3/8	27 5/16	20 1/2	18 1/16	on request	on request
10 x 8 x 22 HA	10	8	800	on request	4	1760	on request	on request	on request	on request	23 3/8	27 5/16	20 1/2	18 1/16	on request	on request

- Dimensions are subject to change
- Not to be used for construction purposes unless certified.

Pumps with axially split housing

Single pumps (heating, air-conditioning, cooling and industry)



Dimensions, weights Wilo-SCP

Dimensions, weights of pump set (US units) - 4 pole motors

Wilo-SCP...	Nominal diameter		Power con- sumption	Dimensions										Weight	Dimen- sion drawing
	DN S	DN D	P ₂	H ₁	H ₂	HP	Ht	S ₁	S ₂	S ₃	S ₄	S ₅	SL	M	-
	[inch]		[hp]	[in.]										[lbs]	-
8 x 8 x 14-1/2 HA	8	8	100	16 ¹⁵ / ₁₆	12 ³ / ₁₆	34 ¹⁵ / ₁₆	12 ¹ / ₈	5 ⁷ / ₁₆	4	54 ⁷ / ₈	18 ¹⁵ / ₁₆	21 ⁵ / ₁₆	62 ⁷ / ₈	2096	A
8 x 8 x 14-1/2 HA	8	8	125	16 ¹⁵ / ₁₆	12 ³ / ₁₆	34 ¹⁵ / ₁₆	12 ¹ / ₈	5 ⁷ / ₁₆	4	54 ⁷ / ₈	18 ¹⁵ / ₁₆	21 ⁵ / ₁₆	62 ⁷ / ₈	2311	A
8 x 8 x 14-1/2 HA	8	8	150	16 ¹⁵ / ₁₆	12 ³ / ₁₆	34 ¹⁵ / ₁₆	12 ¹ / ₈	5 ⁷ / ₁₆	4	60	21 ⁹ / ₁₆	23 ⁷ / ₈	68	2929	A
8 x 8 x 14-1/2 HA	8	8	200	16 ¹⁵ / ₁₆	12 ³ / ₁₆	34 ¹⁵ / ₁₆	12 ¹ / ₈	5 ⁷ / ₁₆	4	60	21 ⁹ / ₁₆	23 ⁷ / ₈	68	3062	A
8 x 8 x 14-1/2 HA	8	8	250	16 ¹⁵ / ₁₆	12 ³ / ₁₆	34 ¹⁵ / ₁₆	12 ¹ / ₈	5 ⁷ / ₁₆	4	60 ¹¹ / ₁₆	21 ⁹ / ₁₆	23 ⁷ / ₈	68 ¹¹ / ₁₆	on request	A
8 x 8 x 14-1/2 HA	8	8	300	16 ¹⁵ / ₁₆	12 ³ / ₁₆	34 ¹⁵ / ₁₆	12 ¹ / ₈	5 ⁷ / ₁₆	4	60 ¹¹ / ₁₆	21 ⁹ / ₁₆	23 ⁷ / ₈	68 ¹¹ / ₁₆	on request	A
8 x 8 x 18-1/2 HA	8	8	200	18 ¹ / ₄	14 ⁹ / ₁₆	38 ⁵ / ₈	10 ⁹ / ₁₆	6 ¹ / ₄	4	62 ¹³ / ₁₆	21 ⁹ / ₁₆	23 ⁷ / ₈	70 ¹³ / ₁₆	3586	A
8 x 8 x 18-1/2 HA	8	8	250	18 ¹ / ₄	14 ⁹ / ₁₆	38 ⁵ / ₈	10 ⁹ / ₁₆	6 ¹ / ₄	4	63 ⁹ / ₁₆	21 ⁹ / ₁₆	23 ⁷ / ₈	71 ⁹ / ₁₆	on request	A
8 x 8 x 18-1/2 HA	8	8	300	18 ¹ / ₄	14 ⁹ / ₁₆	38 ⁵ / ₈	10 ⁹ / ₁₆	6 ¹ / ₄	4	63 ⁹ / ₁₆	21 ⁹ / ₁₆	23 ⁷ / ₈	71 ⁹ / ₁₆	on request	A
8 x 8 x 18-1/2 HA	8	8	350	18 ¹ / ₄	14 ⁹ / ₁₆	38 ⁵ / ₈	10 ⁹ / ₁₆	6 ¹ / ₄	4	71 ¹³ / ₁₆	21 ¹ / ₁₆	23 ³ / ₈	79 ¹³ / ₁₆	on request	A
8 x 8 x 18-1/2 HA	8	8	400	18 ¹ / ₄	14 ⁹ / ₁₆	38 ⁵ / ₈	10 ⁹ / ₁₆	6 ¹ / ₄	4	71 ¹³ / ₁₆	21 ¹ / ₁₆	23 ³ / ₈	79 ¹³ / ₁₆	on request	A
8 x 8 x 21-1/2 HA	8	8	200	18 ¹ / ₄	14 ⁹ / ₁₆	38 ⁵ / ₈	10 ⁹ / ₁₆	6 ¹ / ₄	4	62 ¹³ / ₁₆	21 ⁹ / ₁₆	23 ⁷ / ₈	70 ¹³ / ₁₆	3586	A
8 x 8 x 21-1/2 HA	8	8	250	18 ¹ / ₄	14 ⁹ / ₁₆	38 ⁵ / ₈	10 ⁹ / ₁₆	6 ¹ / ₄	4	63 ⁹ / ₁₆	21 ⁹ / ₁₆	23 ⁷ / ₈	71 ⁹ / ₁₆	on request	A
8 x 8 x 21-1/2 HA	8	8	300	18 ¹ / ₄	14 ⁹ / ₁₆	38 ⁵ / ₈	10 ⁹ / ₁₆	6 ¹ / ₄	4	63 ⁹ / ₁₆	21 ⁹ / ₁₆	23 ⁷ / ₈	71 ⁹ / ₁₆	on request	A
8 x 8 x 21-1/2 HA	8	8	350	18 ¹ / ₄	14 ⁹ / ₁₆	38 ⁵ / ₈	10 ⁹ / ₁₆	6 ¹ / ₄	4	71 ¹³ / ₁₆	21 ¹ / ₁₆	23 ³ / ₈	79 ¹³ / ₁₆	on request	A
8 x 8 x 21-1/2 HA	8	8	400	18 ¹ / ₄	14 ⁹ / ₁₆	38 ⁵ / ₈	10 ⁹ / ₁₆	6 ¹ / ₄	4	71 ¹³ / ₁₆	21 ¹ / ₁₆	23 ³ / ₈	79 ¹³ / ₁₆	on request	A
8 x 8 x 21-1/2 HA	8	8	500	18 ¹ / ₄	14 ⁹ / ₁₆	38 ⁵ / ₈	10 ⁹ / ₁₆	4 ⁵ / ₁₆	on request	on request	on request	on request	on request	on request	A
10 x 8 x 12-1/2 HA	10	8	60	16 ³ / ₄	11 ⁷ / ₁₆	33 ¹⁵ / ₁₆	12 ³ / ₄	6 ¹ / ₄	4	48 ⁵ / ₁₆	17 ³ / ₈	19 ³ / ₄	56 ⁵ / ₁₆	1800	A
10 x 8 x 12-1/2 HA	10	8	75	16 ³ / ₄	11 ⁷ / ₁₆	33 ¹⁵ / ₁₆	12 ³ / ₄	6 ¹ / ₄	4	48 ⁵ / ₁₆	17 ³ / ₈	19 ³ / ₄	56 ⁵ / ₁₆	1949	A
10 x 8 x 12-1/2 HA	10	8	100	16 ³ / ₄	11 ⁷ / ₁₆	33 ¹⁵ / ₁₆	12 ³ / ₄	6 ¹ / ₄	4	52 ¹ / ₄	18 ¹ / ₂	20 ⁷ / ₈	60 ¹ / ₄	1899	A
10 x 8 x 12-1/2 HA	10	8	125	16 ³ / ₄	11 ⁷ / ₁₆	33 ¹⁵ / ₁₆	12 ³ / ₄	6 ¹ / ₄	4	52 ¹ / ₄	18 ¹ / ₂	20 ⁷ / ₈	60 ¹ / ₄	2114	A
10 x 8 x 12-1/2 HA	10	8	150	16 ³ / ₄	11 ⁷ / ₁₆	33 ¹⁵ / ₁₆	12 ³ / ₄	6 ¹ / ₄	4	57 ³ / ₈	21 ⁹ / ₁₆	23 ⁷ / ₈	65 ³ / ₈	2740	A
10 x 8 x 12-1/2 HA	10	8	200	16 ³ / ₄	11 ⁷ / ₁₆	33 ¹⁵ / ₁₆	12 ³ / ₄	6 ¹ / ₄	4	57 ³ / ₈	21 ⁹ / ₁₆	23 ⁷ / ₈	65 ³ / ₈	2873	A
10 x 8 x 15 HA	10	8	125	18 ¹ / ₄	12 ³ / ₈	36 ⁷ / ₁₆	12 ⁹ / ₁₆	6 ¹ / ₄	4	57 ¹¹ / ₁₆	18 ¹ / ₂	20 ⁷ / ₈	65 ¹¹ / ₁₆	2570	A
10 x 8 x 15 HA	10	8	150	18 ¹ / ₄	12 ³ / ₈	36 ⁷ / ₁₆	12 ⁹ / ₁₆	6 ¹ / ₄	4	62 ¹³ / ₁₆	21 ⁹ / ₁₆	23 ⁷ / ₈	70 ¹³ / ₁₆	3189	A
10 x 8 x 15 HA	10	8	200	18 ¹ / ₄	12 ³ / ₈	36 ⁷ / ₁₆	12 ⁹ / ₁₆	6 ¹ / ₄	4	62 ¹³ / ₁₆	21 ⁹ / ₁₆	23 ⁷ / ₈	70 ¹³ / ₁₆	3322	A
10 x 8 x 15 HA	10	8	250	18 ¹ / ₄	12 ³ / ₈	36 ⁷ / ₁₆	12 ⁹ / ₁₆	6 ¹ / ₄	4	63 ⁹ / ₁₆	21 ⁹ / ₁₆	23 ⁷ / ₈	71 ⁹ / ₁₆	on request	A
10 x 8 x 15 HA	10	8	300	18 ¹ / ₄	12 ³ / ₈	36 ⁷ / ₁₆	12 ⁹ / ₁₆	6 ¹ / ₄	4	63 ⁹ / ₁₆	21 ⁹ / ₁₆	23 ⁷ / ₈	71 ⁹ / ₁₆	on request	A
10 x 8 x 17 HA	10	8	125	18 ⁵ / ₁₆	13	37 ¹ / ₄	12 ⁷ / ₁₆	6 ⁷ / ₁₆	4	58 ⁹ / ₁₆	21 ¹¹ / ₁₆	24 ¹ / ₁₆	66 ⁵ / ₁₆	2313	A
10 x 8 x 17 HA	10	8	150	18 ⁵ / ₁₆	13	37 ¹ / ₄	12 ⁷ / ₁₆	6 ⁷ / ₁₆	4	63 ⁷ / ₁₆	21 ¹¹ / ₁₆	24 ¹ / ₁₆	71 ⁷ / ₁₆	2928	A
10 x 8 x 17 HA	10	8	200	18 ⁵ / ₁₆	13	37 ¹ / ₄	12 ⁷ / ₁₆	6 ⁷ / ₁₆	4	63 ⁷ / ₁₆	21 ¹¹ / ₁₆	24 ¹ / ₁₆	71 ⁷ / ₁₆	3061	A
10 x 8 x 17 HA	10	8	250	18 ⁵ / ₁₆	13	37 ¹ / ₄	12 ⁷ / ₁₆	6 ⁷ / ₁₆	4	64 ¹ / ₈	21 ¹¹ / ₁₆	24 ¹ / ₁₆	72 ¹ / ₈	on request	A
10 x 8 x 17 HA	10	8	300	18 ⁵ / ₁₆	13	37 ¹ / ₄	12 ⁷ / ₁₆	6 ⁷ / ₁₆	4	64 ¹ / ₈	21 ¹¹ / ₁₆	24 ¹ / ₁₆	72 ¹ / ₈	on request	A
10 x 8 x 17 HA	10	8	350	18 ⁵ / ₁₆	13	37 ¹ / ₄	12 ⁷ / ₁₆	6 ⁷ / ₁₆	4	72 ³ / ₈	21 ¹¹ / ₁₆	24 ¹ / ₁₆	80 ³ / ₈	on request	A
10 x 8 x 18 HA	10	8	200	18 ¹ / ₄	13 ³ / ₄	37 ⁷ / ₈	12 ⁵ / ₁₆	6 ¹ / ₄	4	62 ¹³ / ₁₆	21 ⁹ / ₁₆	23 ⁷ / ₈	70 ¹³ / ₁₆	3698	A
10 x 8 x 18 HA	10	8	250	18 ¹ / ₄	13 ³ / ₄	37 ⁷ / ₈	12 ⁵ / ₁₆	6 ¹ / ₄	4	63 ⁹ / ₁₆	21 ⁹ / ₁₆	23 ⁷ / ₈	71 ⁹ / ₁₆	on request	A
10 x 8 x 18 HA	10	8	300	18 ¹ / ₄	13 ³ / ₄	37 ⁷ / ₈	12 ⁵ / ₁₆	6 ¹ / ₄	4	63 ⁹ / ₁₆	21 ⁹ / ₁₆	23 ⁷ / ₈	71 ⁹ / ₁₆	on request	A
10 x 8 x 18 HA	10	8	350	18 ¹ / ₄	13 ³ / ₄	37 ⁷ / ₈	12 ⁵ / ₁₆	6 ¹ / ₄	4	71 ¹³ / ₁₆	21 ¹ / ₁₆	23 ³ / ₈	79 ¹³ / ₁₆	on request	A
10 x 8 x 18 HA	10	8	400	18 ¹ / ₄	13 ³ / ₄	37 ⁷ / ₈	12 ⁵ / ₁₆	6 ¹ / ₄	4	71 ¹³ / ₁₆	21 ¹ / ₁₆	23 ³ / ₈	79 ¹³ / ₁₆	on request	A
10 x 8 x 18 HA	10	8	500	18 ¹ / ₄	13 ³ / ₄	37 ⁷ / ₈	12 ⁵ / ₁₆	4 ⁵ / ₁₆	on request	on request	on request	on request	on request	on request	A
10 x 8 x 22 HA	10	8	350	21 ¹ / ₂	15 ⁹ / ₁₆	44	14 ⁷ / ₁₆	9 ³ / ₄	4	78 ¹ / ₂	23 ⁵ / ₈	26 ³ / ₈	86 ¹ / ₂	on request	A
10 x 8 x 22 HA	10	8	400	21 ¹ / ₂	15 ⁹ / ₁₆	44	14 ⁷ / ₁₆	9 ³ / ₄	4	78 ¹ / ₂	23 ⁵ / ₈	26 ³ / ₈	86 ¹ / ₂	on request	A
10 x 8 x 22 HA	10	8	500	21 ¹ / ₂	15 ⁹ / ₁₆	44	14 ⁷ / ₁₆	5 ³ / ₁₆	on request	on request	on request	on request	on request	on request	A
10 x 8 x 22 HA	10	8	600	21 ¹ / ₂	15 ⁹ / ₁₆	44	14 ⁷ / ₁₆	5 ³ / ₁₆	on request	on request	on request	on request	on request	on request	A
10 x 8 x 22 HA	10	8	700	21 ¹ / ₂	15 ⁹ / ₁₆	44	14 ⁷ / ₁₆	5 ³ / ₁₆	on request	on request	on request	on request	on request	on request	A
10 x 8 x 22 HA	10	8	800	21 ¹ / ₂	15 ⁹ / ₁₆	44	14 ⁷ / ₁₆	5 ³ / ₁₆	on request	on request	on request	on request	on request	on request	A

• Dimensions are subject to change

• Not be used for construction purposes unless certified.

Pumps with axially split housing

Single pumps (heating, air-conditioning, cooling and industry)



Dimensions, weights Wilo-SCP

Dimensions, weights of pump set (US units) – 4 pole motors

Wilo-SCP...	Nominal diameter		Power consumption	Motor housing	Number of poles	Nominal speed	Rated voltage	Dimensions								
	DN S	DN D						P ₂	n	U	a	L	I	L ₁	L ₂	L ₃
	[inch]	[inch]	[hp]	[-]	[-]	[rpm]	[V]	[in.]								
10 x 10 x 9-1/2 HA	10	10	50	326T	4	1775	230/460	1/2	65 1/8	24 13/16	15 5/8	18 5/8	14 9/16	10 1/4	30 3/8	34 1/4
10 x 10 x 9-1/2 HA	10	10	60	364T	4	1775	230/460	1/2	67 3/4	24 13/16	15 5/8	18 5/8	14 9/16	10 1/4	33	34 1/4
10 x 10 x 9-1/2 HA	10	10	75	365T	4	1780	230/460	1/2	67 3/4	24 13/16	15 5/8	18 5/8	14 9/16	10 1/4	33	34 1/4
12 x 8 x 14 HB	12	8	100	404T	4	1775	230/460	1/2	78 13/16	32 5/16	19 1/16	22 1/16	18 1/2	13 3/4	37 1/4	41 1/8
12 x 8 x 14 HB	12	8	125	405T	4	1775	460	1/2	85 7/8	32 5/16	19 1/16	22 1/16	18 1/2	13 3/4	44 1/4	41 1/8
12 x 8 x 14 HB	12	8	150	444T	4	1780	460	1/2	85 7/8	32 5/16	19 1/16	22 1/16	18 1/2	13 3/4	44 1/4	41 1/8
12 x 8 x 14 HB	12	8	200	445T	4	1780	460	1/2	85 7/8	32 5/16	19 1/16	22 1/16	18 1/2	13 3/4	44 1/4	41 1/8
12 x 10 x 14 HA	12	10	200	445T	4	1780	460	1/2	89 1/8	35 5/16	19 7/8	24 1/2	20 3/8	14 15/16	44 1/4	44 3/8
12 x 10 x 14 HA	12	10	250	445T	4	1780	460	3/16	92 5/16	35 5/16	19 7/8	24 1/2	20 3/8	14 15/16	47 3/4	44 3/8
12 x 10 x 14 HA	12	10	300	445T	4	1780	460	3/16	98	35 5/16	19 7/8	24 1/2	20 3/8	14 15/16	53 3/8	44 3/8
12 x 10 x 14 HA	12	10	350	449T	4	1780	460	3/16	98	35 5/16	19 7/8	24 1/2	20 3/8	14 15/16	53 3/8	44 3/8
12 x 10 x 15 HA	12	10	250	445T	4	1780	460	3/16	92 5/16	35 5/16	19 7/8	24 1/2	20 3/8	14 15/16	47 3/4	44 3/8
12 x 10 x 15 HA	12	10	300	445T	4	1780	460	3/16	98	35 5/16	19 7/8	24 1/2	20 3/8	14 15/16	53 3/8	44 3/8
12 x 10 x 15 HA	12	10	350	449T	4	1780	460	3/16	98	35 5/16	19 7/8	24 1/2	20 3/8	14 15/16	53 3/8	44 3/8
12 x 10 x 15 HA	12	10	400	449T	4	1780	460	3/16	98	35 5/16	19 7/8	24 1/2	20 3/8	14 15/16	53 3/8	44 3/8
12 x 10 x 15 HA	12	10	500	on request	4	1760	on request	on request	on request	on request	19 1/8	24 1/2	20 3/8	14 15/16	on request	on request
12 x 10 x 17-1/2 HA	12	10	300	445T	4	1780	460	3/16	104 1/4	39	23 3/8	27 5/16	21	18	53 3/8	50 11/16
12 x 10 x 17-1/2 HA	12	10	350	449T	4	1780	460	3/16	104 1/4	39	23 3/8	27 5/16	21	18	53 3/8	50 11/16
12 x 10 x 17-1/2 HA	12	10	400	449T	4	1780	460	3/16	104 1/4	39	23 3/8	27 5/16	21	18	53 3/8	50 11/16
12 x 10 x 17-1/2 HA	12	10	500	on request	4	1760	on request	on request	on request	on request	23 3/8	27 5/16	21	18	on request	on request
12 x 10 x 17-1/2 HA	12	10	600	on request	4	1760	on request	on request	on request	on request	23 3/8	27 5/16	21	18	on request	on request
12 x 10 x 22 HA	12	10	500	on request	4	1760	on request	on request	on request	on request	23 3/8	27 5/16	23	19 3/8	on request	on request
12 x 10 x 22 HA	12	10	600	on request	4	1760	on request	on request	on request	on request	23 3/8	27 5/16	23	19 3/8	on request	on request
12 x 10 x 22 HA	12	10	700	on request	4	1760	on request	on request	on request	on request	23 3/8	27 5/16	23	19 3/8	on request	on request
12 x 10 x 22 HA	12	10	800	on request	4	1760	on request	on request	on request	on request	23 3/8	27 5/16	23	19 3/8	on request	on request
14 x 12 x 13 HB	14	12	150	444T	4	1780	460	1/2	89 1/8	37	19 7/8	24 1/2	21 5/8	15 3/8	44 1/4	44 3/8
14 x 12 x 13 HB	14	12	200	445T	4	1780	460	1/2	89 1/8	37	19 7/8	24 1/2	21 5/8	15 3/8	44 1/4	44 3/8
14 x 12 x 13 HB	14	12	250	445T	4	1780	460	3/16	92 5/16	37	19 7/8	24 1/2	21 5/8	15 3/8	47 3/4	44 3/8
14 x 12 x 13 HB	14	12	300	445T	4	1780	460	3/16	98	37	19 7/8	24 1/2	21 5/8	15 3/8	53 3/8	44 3/8
14 x 12 x 15 HA	14	12	250	445T	4	1780	460	3/16	92 11/16	37 3/8	20 11/16	24 1/8	22	15 3/8	47 3/4	44 3/4
14 x 12 x 15 HA	14	12	300	445T	4	1780	460	3/16	98 3/8	37 3/8	20 11/16	24 1/8	22	15 3/8	53 3/8	44 3/4
14 x 12 x 15 HA	14	12	350	449T	4	1780	460	3/16	98 3/8	37 3/8	20 11/16	24 1/8	22	15 3/8	53 3/8	44 3/4
14 x 12 x 15 HA	14	12	400	449T	4	1780	460	3/16	98 3/8	37 3/8	20 11/16	24 1/8	22	15 3/8	53 3/8	44 3/4
14 x 12 x 15 HA	14	12	500	on request	4	1760	on request	on request	on request	on request	20 11/16	24 1/8	22	15 3/8	on request	on request
14 x 12 x 19 HA	14	12	350	449T	4	1780	460	3/16	104 1/4	42	23 3/8	27 5/16	23	19	53 3/8	50 11/16
14 x 12 x 19 HA	14	12	400	449T	4	1780	460	3/16	104 1/4	42	23 3/8	27 5/16	23	19	53 3/8	50 11/16
14 x 12 x 19 HA	14	12	500	on request	4	1760	on request	on request	on request	on request	23 3/8	27 5/16	23 1/16	19	on request	on request
14 x 12 x 19 HA	14	12	600	on request	4	1760	on request	on request	on request	on request	23 3/8	27 5/16	23 1/16	19	on request	on request
14 x 12 x 19 HA	14	12	700	on request	4	1760	on request	on request	on request	on request	23 3/8	27 5/16	23 1/16	19	on request	on request
14 x 12 x 19 HA	14	12	800	on request	4	1760	on request	on request	on request	on request	23 3/8	27 5/16	23 1/16	19	on request	on request
14 x 12 x 22 HA	14	12	500	on request	4	1760	on request	on request	on request	on request	23 3/8	27 5/16	24 3/4	21	on request	on request
14 x 12 x 22 HA	14	12	600	on request	4	1760	on request	on request	on request	on request	23 3/8	27 5/16	24 3/4	21	on request	on request
14 x 12 x 22 HA	14	12	700	on request	4	1760	on request	on request	on request	on request	23 3/8	27 5/16	24 3/4	21	on request	on request
14 x 12 x 22 HA	14	12	800	on request	4	1760	on request	on request	on request	on request	23 3/8	27 5/16	24 3/4	21	on request	on request

- Dimensions are subject to change
- Not be used for construction purposes unless certified.

Pumps with axially split housing

Single pumps (heating, air-conditioning, cooling and industry)



Dimensions, weights Wilo-SCP

Dimensions, weights of pump set (US units) - 4 pole motors

Wilo-SCP...	Nominal diameter		Power consumption P ₂ [hp]	Dimensions										Weight M [lbs]	Dimension drawing -
	DN S	DN D		H ₁	H ₂	HP	Ht	S ₁	S ₂	S ₃	S ₄	S ₅	SL		
	[inch]			[in.]											
10 x 10 x 9-1/2 HA	10	10	50	16 ¹ / ₈	10 ⁷ / ₁₆	32 ³ / ₁₆	13	6 ¹ / ₄	4	46 ³ / ₄	14 ⁵ / ₁₆	16 ⁵ / ₈	54 ³ / ₄	1341	A
10 x 10 x 9-1/2 HA	10	10	60	16 ¹ / ₈	10 ⁷ / ₁₆	32 ³ / ₁₆	13	6 ¹ / ₄	4	48 ¹ / ₄	15 ¹³ / ₁₆	18 ¹ / ₈	56 ¹ / ₄	1524	A
10 x 10 x 9-1/2 HA	10	10	75	16 ¹ / ₈	10 ⁷ / ₁₆	32 ³ / ₁₆	13	6 ¹ / ₄	4	48 ¹ / ₄	15 ¹³ / ₁₆	18 ¹ / ₈	56 ¹ / ₄	1671	A
12 x 8 x 14 HB	12	8	100	17 ¹¹ / ₁₆	12 ⁵ / ₈	36 ¹ / ₈	12 ⁵ / ₈	6 ¹ / ₄	4	55 ⁵ / ₈	18 ¹⁵ / ₁₆	21 ⁵ / ₁₆	63 ⁵ / ₈	2085	A
12 x 8 x 14 HB	12	8	125	17 ¹¹ / ₁₆	12 ⁵ / ₈	36 ¹ / ₈	12 ⁵ / ₈	6 ¹ / ₄	4	55 ⁵ / ₈	18 ¹⁵ / ₁₆	21 ⁵ / ₁₆	63 ⁵ / ₈	2300	A
12 x 8 x 14 HB	12	8	150	17 ¹¹ / ₁₆	12 ⁵ / ₈	36 ¹ / ₈	12 ⁵ / ₈	6 ¹ / ₄	4	60 ¹³ / ₁₆	21 ⁹ / ₁₆	23 ⁷ / ₈	68 ¹³ / ₁₆	2917	A
12 x 8 x 14 HB	12	8	200	17 ¹¹ / ₁₆	12 ⁵ / ₈	36 ¹ / ₈	12 ⁵ / ₈	6 ¹ / ₄	4	60 ¹³ / ₁₆	21 ⁹ / ₁₆	23 ⁷ / ₈	68 ¹³ / ₁₆	3050	A
12 x 10 x 14 HA	12	10	200	21 ¹ / ₄	13 ³ / ₈	40 ⁷ / ₁₆	14 ⁷ / ₁₆	8 ³ / ₁₆	4	65 ³ / ₁₆	21 ⁹ / ₁₆	23 ⁷ / ₈	73 ¹⁵ / ₁₆	3295	A
12 x 10 x 14 HA	12	10	250	21 ¹ / ₄	13 ³ / ₈	40 ⁷ / ₁₆	14 ⁷ / ₁₆	8 ³ / ₁₆	4	65 ¹⁵ / ₁₆	21 ⁹ / ₁₆	23 ⁷ / ₈	73 ¹⁵ / ₁₆	on request	A
12 x 10 x 14 HA	12	10	300	21 ¹ / ₄	13 ³ / ₈	40 ⁷ / ₁₆	14 ⁷ / ₁₆	8 ³ / ₁₆	4	65 ¹⁵ / ₁₆	21 ⁹ / ₁₆	23 ⁷ / ₈	73 ¹⁵ / ₁₆	on request	A
12 x 10 x 14 HA	12	10	350	21 ¹ / ₄	13 ³ / ₈	40 ⁷ / ₁₆	14 ⁷ / ₁₆	8 ³ / ₁₆	4	74 ³ / ₁₆	21 ¹ / ₁₆	23 ³ / ₈	82 ³ / ₁₆	on request	A
12 x 10 x 15 HA	12	10	250	21 ¹ / ₄	13 ³ / ₈	40 ⁷ / ₁₆	14 ⁷ / ₁₆	8 ³ / ₁₆	4	65 ¹⁵ / ₁₆	21 ⁹ / ₁₆	23 ⁷ / ₈	73 ¹⁵ / ₁₆	on request	A
12 x 10 x 15 HA	12	10	300	21 ¹ / ₄	13 ³ / ₈	40 ⁷ / ₁₆	14 ⁷ / ₁₆	8 ³ / ₁₆	4	65 ¹⁵ / ₁₆	21 ⁹ / ₁₆	23 ⁷ / ₈	73 ¹⁵ / ₁₆	on request	A
12 x 10 x 15 HA	12	10	350	21 ¹ / ₄	13 ³ / ₈	40 ⁷ / ₁₆	14 ⁷ / ₁₆	8 ³ / ₁₆	4	74 ³ / ₁₆	21 ¹ / ₁₆	23 ³ / ₈	82 ³ / ₁₆	on request	A
12 x 10 x 15 HA	12	10	400	21 ¹ / ₄	13 ³ / ₈	40 ⁷ / ₁₆	14 ⁷ / ₁₆	8 ³ / ₁₆	4	74 ³ / ₁₆	21 ¹ / ₁₆	23 ³ / ₈	82 ³ / ₁₆	on request	A
12 x 10 x 15 HA	12	10	500	21 ¹ / ₄	13 ³ / ₈	40 ⁷ / ₁₆	14 ⁷ / ₁₆	4 ⁵ / ₁₆	on request	on request	on request	on request	on request	on request	A
12 x 10 x 17-1/2 HA	12	10	300	21 ¹ / ₂	14 ¹⁵ / ₁₆	43 ³ / ₈	14 ¹⁵ / ₁₆	9 ³ / ₄	4	70 ¹ / ₄	23 ⁵ / ₈	26 ³ / ₈	78 ¹ / ₄	on request	A
12 x 10 x 17-1/2 HA	12	10	350	21 ¹ / ₂	14 ¹⁵ / ₁₆	43 ³ / ₈	14 ¹⁵ / ₁₆	9 ³ / ₄	4	78 ¹ / ₂	23 ⁵ / ₈	26 ³ / ₈	86 ¹ / ₂	on request	A
12 x 10 x 17-1/2 HA	12	10	400	21 ¹ / ₂	14 ¹⁵ / ₁₆	43 ³ / ₈	14 ¹⁵ / ₁₆	9 ³ / ₄	4	78 ¹ / ₂	23 ⁵ / ₈	26 ³ / ₈	86 ¹ / ₂	on request	A
12 x 10 x 17-1/2 HA	12	10	500	21 ¹ / ₂	14 ¹⁵ / ₁₆	43 ³ / ₈	14 ¹⁵ / ₁₆	5 ³ / ₁₆	on request	1/2	13 ¹ / ₁₆	21 ¹ / ₁₆	on request	on request	A
12 x 10 x 17-1/2 HA	12	10	600	21 ¹ / ₂	14 ¹⁵ / ₁₆	43 ³ / ₈	14 ¹⁵ / ₁₆	5 ³ / ₁₆	on request	1/2	13 ¹ / ₁₆	21 ¹ / ₁₆	on request	on request	A
12 x 10 x 22 HA	12	10	500	21 ¹ / ₂	16 ⁵ / ₁₆	44 ¹³ / ₁₆	14 ⁷ / ₁₆	5 ³ / ₁₆	on request	1/2	13 ¹ / ₁₆	21 ¹ / ₁₆	on request	on request	A
12 x 10 x 22 HA	12	10	600	21 ¹ / ₂	16 ⁵ / ₁₆	44 ¹³ / ₁₆	14 ⁷ / ₁₆	5 ³ / ₁₆	on request	1/2	13 ¹ / ₁₆	21 ¹ / ₁₆	on request	on request	A
12 x 10 x 22 HA	12	10	700	21 ¹ / ₂	16 ⁵ / ₁₆	44 ¹³ / ₁₆	14 ⁷ / ₁₆	5 ³ / ₁₆	on request	1/2	13 ¹ / ₁₆	21 ¹ / ₁₆	on request	on request	A
12 x 10 x 22 HA	12	10	800	21 ¹ / ₂	16 ⁵ / ₁₆	44 ¹³ / ₁₆	14 ⁷ / ₁₆	5 ³ / ₁₆	on request	1/2	13 ¹ / ₁₆	21 ¹ / ₁₆	on request	on request	A
14 x 12 x 13 HB	14	12	150	21 ¹ / ₄	12 ⁵ / ₈	39 ¹³ / ₁₆	15	8 ³ / ₁₆	4	65 ³ / ₁₆	21 ⁹ / ₁₆	23 ⁷ / ₈	73 ¹⁵ / ₁₆	3301	A
14 x 12 x 13 HB	14	12	200	21 ¹ / ₄	12 ⁵ / ₈	39 ¹³ / ₁₆	15	8 ³ / ₁₆	4	65 ³ / ₁₆	21 ⁹ / ₁₆	23 ⁷ / ₈	73 ¹⁵ / ₁₆	3434	A
14 x 12 x 13 HB	14	12	250	21 ¹ / ₄	12 ⁵ / ₈	39 ¹³ / ₁₆	15	8 ³ / ₁₆	4	65 ¹⁵ / ₁₆	21 ⁹ / ₁₆	23 ⁷ / ₈	73 ¹⁵ / ₁₆	on request	A
14 x 12 x 13 HB	14	12	300	21 ¹ / ₄	12 ⁵ / ₈	39 ¹³ / ₁₆	15	8 ³ / ₁₆	4	65 ¹⁵ / ₁₆	21 ⁹ / ₁₆	23 ⁷ / ₈	73 ¹⁵ / ₁₆	on request	A
14 x 12 x 15 HA	14	12	250	21 ¹ / ₂	14 ³ / ₄	42 ¹ / ₈	14 ¹³ / ₁₆	8 ³ / ₁₆	4	65 ¹ / ₂	21 ⁹ / ₁₆	23 ⁷ / ₈	73 ¹ / ₂	on request	A
14 x 12 x 15 HA	14	12	300	21 ¹ / ₂	14 ³ / ₄	42 ¹ / ₈	14 ¹³ / ₁₆	8 ³ / ₁₆	4	65 ¹ / ₂	21 ⁹ / ₁₆	23 ⁷ / ₈	73 ¹ / ₂	on request	A
14 x 12 x 15 HA	14	12	350	21 ¹ / ₂	14 ³ / ₄	42 ¹ / ₈	14 ¹³ / ₁₆	8 ³ / ₁₆	4	73 ³ / ₄	21 ¹ / ₁₆	23 ³ / ₈	81 ³ / ₄	on request	A
14 x 12 x 15 HA	14	12	400	21 ¹ / ₂	14 ³ / ₄	42 ¹ / ₈	14 ¹³ / ₁₆	8 ³ / ₁₆	4	73 ³ / ₄	21 ¹ / ₁₆	23 ³ / ₈	81 ³ / ₄	on request	A
14 x 12 x 15 HA	14	12	500	21 ¹ / ₂	14 ³ / ₄	42 ¹ / ₈	14 ¹³ / ₁₆	4 ⁵ / ₁₆	on request	on request	on request	on request	on request	on request	A
14 x 12 x 19 HA	14	12	350	23 ¹ / ₄	15 ¹⁵ / ₁₆	46 ³ / ₈	16 ¹¹ / ₁₆	10 ³ / ₄	4	79 ¹ / ₂	23 ⁵ / ₈	26 ³ / ₈	87 ¹ / ₂	on request	A
14 x 12 x 19 HA	14	12	400	23 ¹ / ₄	15 ¹⁵ / ₁₆	46 ³ / ₈	16 ¹¹ / ₁₆	10 ³ / ₄	4	79 ¹ / ₂	23 ⁵ / ₈	26 ³ / ₈	87 ¹ / ₂	on request	A
14 x 12 x 19 HA	14	12	500	23 ¹ / ₄	15 ¹⁵ / ₁₆	46 ³ / ₈	16 ¹¹ / ₁₆	5 ³ / ₁₆	on request	on request	on request	on request	on request	on request	A
14 x 12 x 19 HA	14	12	600	23 ¹ / ₄	15 ¹⁵ / ₁₆	46 ³ / ₈	16 ¹¹ / ₁₆	5 ³ / ₁₆	on request	on request	on request	on request	on request	on request	A
14 x 12 x 19 HA	14	12	700	23 ¹ / ₄	15 ¹⁵ / ₁₆	46 ³ / ₈	16 ¹¹ / ₁₆	5 ³ / ₁₆	on request	on request	on request	on request	on request	on request	A
14 x 12 x 19 HA	14	12	800	23 ¹ / ₄	15 ¹⁵ / ₁₆	46 ³ / ₈	16 ¹¹ / ₁₆	5 ³ / ₁₆	on request	on request	on request	on request	on request	on request	A
14 x 12 x 22 HA	14	12	500	23 ¹ / ₄	17 ⁵ / ₁₆	47 ¹ / ₂	15 ⁵ / ₁₆	5 ³ / ₁₆	on request	on request	on request	on request	on request	on request	A
14 x 12 x 22 HA	14	12	600	23 ¹ / ₄	17 ⁵ / ₁₆	47 ¹ / ₂	15 ⁵ / ₁₆	5 ³ / ₁₆	on request	on request	on request	on request	on request	on request	A
14 x 12 x 22 HA	14	12	700	23 ¹ / ₄	17 ⁵ / ₁₆	47 ¹ / ₂	15 ⁵ / ₁₆	5 ³ / ₁₆	on request	on request	on request	on request	on request	on request	A
14 x 12 x 22 HA	14	12	800	23 ¹ / ₄	17 ⁵ / ₁₆	47 ¹ / ₂	15 ⁵ / ₁₆	5 ³ / ₁₆	on request	on request	on request	on request	on request	on request	A

- Dimensions are subject to change
- Not be used for construction purposes unless certified.

Pumps with axially split housing

Single pumps (heating, air-conditioning, cooling and industry)



Dimensions, weights Wilo-SCP

Dimensions, weights of pump set (US units) - 4 pole motors

Wilo-SCP...	Nominal diameter		Power consumption	Motor housing	Number of poles	Nominal speed	Rated voltage	Dimensions								
	DN S	DN D	P ₂	-	n	U	a	L	I	L ₁	L ₂	L ₃	L ₄	LM	LP	
	[inch]	[inch]	[hp]	[-]	[-]	[rpm]	[V]	[in.]								
14 x 12 x 26 DV	14	12	500	on request	4	1760	on request	on request	on request	on request	25 ⁵ / ₈	32 ¹¹ / ₁₆	26	24	on request	on request
14 x 12 x 26 DV	14	12	600	on request	4	1760	on request	on request	on request	on request	25 ⁵ / ₈	32 ¹¹ / ₁₆	26	24	on request	on request
14 x 12 x 26 DV	14	12	700	on request	4	1760	on request	on request	on request	on request	25 ⁵ / ₈	32 ¹¹ / ₁₆	26	24	on request	on request
14 x 12 x 26 DV	14	12	800	on request	4	1760	on request	on request	on request	on request	25 ⁵ / ₈	32 ¹¹ / ₁₆	26	24	on request	on request
14 x 12 x 26 DV	14	12	900	on request	4	1760	on request	on request	on request	on request	25 ⁵ / ₈	32 ¹¹ / ₁₆	26	24	on request	on request
14 x 12 x 26 DV	14	12	1000	on request	4	1760	on request	on request	on request	on request	25 ⁵ / ₈	32 ¹¹ / ₁₆	26	24	on request	on request
16 x 12 x 15-1/2 HA	16	12	300	445T	4	1780	460	³ / ₁₆	101 ³ / ₄	35 ⁷ / ₁₆	21 ⁷ / ₈	26 ¹ / ₄	21 ⁵ / ₈	13 ³ / ₄	53 ³ / ₈	48 ³ / ₁₆
16 x 12 x 15-1/2 HA	16	12	350	449T	4	1780	460	³ / ₁₆	101 ³ / ₄	35 ⁷ / ₁₆	21 ⁷ / ₈	26 ¹ / ₄	21 ⁵ / ₈	13 ³ / ₄	53 ³ / ₈	48 ³ / ₁₆
16 x 12 x 15-1/2 HA	16	12	400	449T	4	1780	460	³ / ₁₆	101 ³ / ₄	35 ⁷ / ₁₆	21 ⁷ / ₈	26 ¹ / ₄	21 ⁵ / ₈	13 ³ / ₄	53 ³ / ₈	48 ³ / ₁₆
16 x 12 x 15-1/2 HA	16	12	500	on request	4	1760	on request	on request	on request	on request	21 ¹ / ₈	26 ⁵ / ₁₆	21 ⁵ / ₈	13 ³ / ₄	on request	on request
18 x 14 x 19 HA	18	14	500	on request	4	1760	on request	on request	on request	on request	22 ¹ / ₄	27 ⁵ / ₁₆	24 ⁵ / ₈	20 ⁷ / ₈	on request	on request
18 x 14 x 19 HA	18	14	600	on request	4	1760	on request	on request	on request	on request	22 ¹ / ₄	27 ⁵ / ₁₆	24 ⁵ / ₈	20 ⁷ / ₈	on request	on request
18 x 14 x 19 HA	18	14	700	on request	4	1760	on request	on request	on request	on request	22 ¹ / ₄	27 ⁵ / ₁₆	24 ⁵ / ₈	20 ⁷ / ₈	on request	on request
18 x 14 x 19 HA	18	14	800	on request	4	1760	on request	on request	on request	on request	22 ¹ / ₄	27 ⁵ / ₁₆	24 ⁵ / ₈	20 ⁷ / ₈	on request	on request

- Dimensions are subject to change
- Not to be used for construction purposes unless certified.

Pumps with axially split housing

Single pumps (heating, air-conditioning, cooling and industry)



Dimensions, weights Wilo-SCP

Dimensions, weights of pump set (US units) – 4 pole motors

Wilo-SCP...	Nominal diameter		Power consumption	Dimensions											Weight	Dimension drawing		
	DN S	DN D		P ₂	H ₁	H ₂	HP	Ht	S ₁	S ₂	S ₃	S ₄	S ₅	SL			M	–
	[inch]			[hp]	[in.]												[lbs]	–
14 x 12 x 26 DV	14	12	500	28 ⁹ / ₁₆	18 ⁵ / ₁₆	53 ¹³ / ₁₆	18	5 ³ / ₄	on request	on request	on request	on request	on request	on request	on request	A		
14 x 12 x 26 DV	14	12	600	28 ⁹ / ₁₆	18 ⁵ / ₁₆	53 ¹³ / ₁₆	18	5 ³ / ₄	on request	on request	on request	on request	on request	on request	on request	A		
14 x 12 x 26 DV	14	12	700	28 ⁹ / ₁₆	18 ⁵ / ₁₆	53 ¹³ / ₁₆	18	5 ³ / ₄	on request	on request	on request	on request	on request	on request	on request	A		
14 x 12 x 26 DV	14	12	800	28 ⁹ / ₁₆	18 ⁵ / ₁₆	53 ¹³ / ₁₆	18	5 ³ / ₄	on request	on request	on request	on request	on request	on request	on request	A		
14 x 12 x 26 DV	14	12	900	28 ⁹ / ₁₆	18 ⁵ / ₁₆	53 ¹³ / ₁₆	18	5 ³ / ₄	on request	on request	on request	on request	on request	on request	on request	A		
14 x 12 x 26 DV	14	12	1000	28 ⁹ / ₁₆	18 ⁵ / ₁₆	53 ¹³ / ₁₆	18	5 ³ / ₄	on request	on request	on request	on request	on request	on request	on request	A		
16 x 12 x 15-1/2 HA	16	12	300	24	15 ³ / ₈	45 ⁵ / ₁₆	16 ³ / ₁₆	9 ³ / ₁₆	4	68 ¹¹ / ₁₆	21 ⁹ / ₁₆	23 ⁷ / ₈	76 ¹¹ / ₁₆	on request	A			
16 x 12 x 15-1/2 HA	16	12	350	24	15 ³ / ₈	45 ⁵ / ₁₆	16 ³ / ₁₆	9 ³ / ₁₆	4	76 ¹⁵ / ₁₆	21 ¹ / ₁₆	23 ³ / ₈	84 ¹⁵ / ₁₆	on request	A			
16 x 12 x 15-1/2 HA	16	12	400	24	15 ³ / ₈	45 ⁵ / ₁₆	16 ³ / ₁₆	9 ³ / ₁₆	4	76 ¹⁵ / ₁₆	21 ¹ / ₁₆	23 ³ / ₈	84 ¹⁵ / ₁₆	on request	A			
16 x 12 x 15-1/2 HA	16	12	500	24	15 ³ / ₈	45 ⁵ / ₁₆	16 ³ / ₁₆	4 ⁵ / ₁₆	on request	on request	on request	on request	on request	on request	A			
18 x 14 x 19 HA	18	14	500	26	16 ³ / ₄	49 ⁵ / ₈	18 ³ / ₄	5 ¹ / ₈	on request	on request	on request	on request	on request	on request	A			
18 x 14 x 19 HA	18	14	600	26	16 ³ / ₄	49 ⁵ / ₈	18 ³ / ₄	5 ¹ / ₈	on request	on request	on request	on request	on request	on request	A			
18 x 14 x 19 HA	18	14	700	26	16 ³ / ₄	49 ⁵ / ₈	18 ³ / ₄	5 ¹ / ₈	on request	on request	on request	on request	on request	on request	A			
18 x 14 x 19 HA	18	14	800	26	16 ³ / ₄	49 ⁵ / ₈	18 ³ / ₄	5 ¹ / ₈	on request	on request	on request	on request	on request	on request	A			

- Dimensions are subject to change
- Not be used for construction purposes unless certified.

Pumps with axially split housing

Single pumps (heating, air-conditioning, cooling and industry)



Dimensions, weights Wilo-SCP

Dimensions, weights of pump set (US units) - 6 pole motors

Wilo-SCP...	Nominal diameter		Power consumption	Motor housing	Number of poles	Nominal speed	Rated voltage	Dimensions								
	DN S	DN D						-	n	U	a	L	I	L ₁	L ₂	L ₃
	[inch]	[inch]	[hp]	[rpm]	[V]	[in.]										
12 x 10 x 27-1/2 DV	12	10	150	on request	6	1120	on request	on request	on request	on request	27 ¹¹ / ₁₆	32 ¹ / ₂	25	22	on request	on request
12 x 10 x 27-1/2 DV	12	10	200	on request	6	1120	on request	on request	on request	on request	27 ¹¹ / ₁₆	32 ¹ / ₂	25	22	on request	on request
12 x 10 x 27-1/2 DV	12	10	250	on request	6	1120	on request	on request	on request	on request	27 ¹¹ / ₁₆	32 ¹ / ₂	25	22	on request	on request
12 x 10 x 27-1/2 DV	12	10	300	on request	6	1120	on request	on request	on request	on request	27 ¹¹ / ₁₆	32 ¹ / ₂	25	22	on request	on request
12 x 10 x 27-1/2 DV	12	10	350	on request	6	1120	on request	on request	on request	on request	27 ¹¹ / ₁₆	32 ¹ / ₂	25	22	on request	on request
12 x 10 x 27-1/2 DV	12	10	400	on request	6	1120	on request	on request	on request	on request	27 ¹¹ / ₁₆	32 ¹ / ₂	25	22	on request	on request
12 x 10 x 27-1/2 DV	12	10	500	on request	6	1120	on request	on request	on request	on request	27 ¹¹ / ₁₆	32 ¹ / ₂	25	22	on request	on request
12 x 10 x 29-1/2 DV	12	10	300	on request	6	1120	on request	on request	on request	on request	27 ¹¹ / ₁₆	32 ¹ / ₂	25	22	on request	on request
12 x 10 x 29-1/2 DV	12	10	350	on request	6	1120	on request	on request	on request	on request	27 ¹¹ / ₁₆	32 ¹ / ₂	25	22	on request	on request
12 x 10 x 29-1/2 DV	12	10	400	on request	6	1120	on request	on request	on request	on request	27 ¹¹ / ₁₆	32 ¹ / ₂	25	22	on request	on request
12 x 10 x 29-1/2 DV	12	10	500	on request	6	1120	on request	on request	on request	on request	27 ¹¹ / ₁₆	32 ¹ / ₂	25	22	on request	on request
18 x 14 x 19-1/2 HA	18	14	200	445T	6	1185	460	1/2	107 ¹ / ₁₆	51 ⁷ / ₈	24 ⁹ / ₁₆	28 ⁹ / ₁₆	30 ¹ / ₄	21 ⁵ / ₈	53 ³ / ₈	53 ³ / ₈
18 x 14 x 19-1/2 HA	18	14	250	on request	6	1120	on request	on request	on request	on request	23 ⁷ / ₁₆	28 ⁹ / ₁₆	30 ¹ / ₄	21 ⁵ / ₈	on request	on request
18 x 14 x 19-1/2 HA	18	14	300	on request	6	1120	on request	on request	on request	on request	23 ⁷ / ₁₆	28 ⁹ / ₁₆	30 ¹ / ₄	21 ⁵ / ₈	on request	on request
18 x 14 x 19-1/2 HA	18	14	400	on request	6	1120	on request	on request	on request	on request	23 ⁷ / ₁₆	28 ⁹ / ₁₆	30 ¹ / ₄	21 ⁵ / ₈	on request	on request
18 x 14 x 19-1/2 HA	18	14	500	on request	6	1120	on request	on request	on request	on request	23 ⁷ / ₁₆	28 ⁹ / ₁₆	30 ¹ / ₄	21 ⁵ / ₈	on request	on request
18 x 16 x 28 HA	18	16	500	on request	6	1120	on request	on request	on request	on request	27 ¹¹ / ₁₆	32 ¹ / ₂	34	30	on request	on request
18 x 16 x 28 HA	18	16	600	on request	6	1120	on request	on request	on request	on request	27 ¹¹ / ₁₆	32 ¹ / ₂	34	30	on request	on request
18 x 16 x 28 HA	18	16	700	on request	6	1120	on request	on request	on request	on request	27 ¹¹ / ₁₆	32 ¹ / ₂	34	30	on request	on request
18 x 16 x 28 HA	18	16	800	on request	6	1120	on request	on request	on request	on request	27 ¹¹ / ₁₆	32 ¹ / ₂	34	30	on request	on request
18 x 16 x 28 HA	18	16	900	on request	6	1120	on request	on request	on request	on request	27 ¹¹ / ₁₆	32 ¹ / ₂	34	30	on request	on request
20 x 16 x 18-1/2 HA	20	16	200	445T	6	1185	460	1/2	108	52 ⁹ / ₁₆	24 ¹³ / ₁₆	29 ¹ / ₄	31 ¹ / ₈	21 ⁷ / ₁₆	53 ³ / ₈	54 ¹ / ₁₆
20 x 16 x 18-1/2 HA	20	16	250	on request	6	1120	on request	on request	on request	on request	23 ¹¹ / ₁₆	29 ¹ / ₄	31 ¹ / ₈	21 ⁷ / ₁₆	on request	on request
20 x 16 x 18-1/2 HA	20	16	300	on request	6	1120	on request	on request	on request	on request	23 ¹¹ / ₁₆	29 ¹ / ₄	31 ¹ / ₈	21 ⁷ / ₁₆	on request	on request
20 x 16 x 18-1/2 HA	20	16	350	on request	6	1120	on request	on request	on request	on request	23 ¹¹ / ₁₆	29 ¹ / ₄	31 ¹ / ₈	21 ⁷ / ₁₆	on request	on request
20 x 16 x 18-1/2 HA	20	16	400	on request	6	1120	on request	on request	on request	on request	23 ¹¹ / ₁₆	29 ¹ / ₄	31 ¹ / ₈	21 ⁷ / ₁₆	on request	on request
20 x 16 x 21 HA	20	16	200	445T	6	1185	460	1/2	96 ³ / ₄	42	25 ³ / ₄	30 ⁷ / ₈	25	17	39 ⁵ / ₈	56 ⁵ / ₈
20 x 16 x 21 HA	20	16	250	on request	6	1120	on request	on request	on request	on request	24 ⁵ / ₈	30 ⁷ / ₈	25	17	on request	on request
20 x 16 x 21 HA	20	16	300	on request	6	1120	on request	on request	on request	on request	24 ⁵ / ₈	30 ⁷ / ₈	25	17	on request	on request
20 x 16 x 21 HA	20	16	350	on request	6	1120	on request	on request	on request	on request	24 ⁵ / ₈	30 ⁷ / ₈	25	17	on request	on request
20 x 16 x 21 HA	20	16	400	on request	6	1120	on request	on request	on request	on request	24 ⁵ / ₈	30 ⁷ / ₈	25	17	on request	on request
20 x 16 x 21 HA	20	16	500	on request	6	1120	on request	on request	on request	on request	24 ⁵ / ₈	30 ⁷ / ₈	25	17	on request	on request
20 x 16 x 21 HA	20	16	600	on request	6	1120	on request	on request	on request	on request	24 ⁵ / ₈	30 ⁷ / ₈	25	17	on request	on request
20 x 16 x 21-1/2 HA	20	16	300	on request	6	1120	on request	on request	on request	on request	26 ¹ / ₄	32 ¹¹ / ₁₆	29 ¹⁵ / ₁₆	22 ¹ / ₁₆	on request	on request
20 x 16 x 21-1/2 HA	20	16	350	on request	6	1120	on request	on request	on request	on request	26 ¹ / ₄	32 ¹¹ / ₁₆	29 ¹⁵ / ₁₆	22 ¹ / ₁₆	on request	on request
20 x 16 x 21-1/2 HA	20	16	400	on request	6	1120	on request	on request	on request	on request	26 ¹ / ₄	32 ¹¹ / ₁₆	29 ¹⁵ / ₁₆	22 ¹ / ₁₆	on request	on request
20 x 16 x 21-1/2 HA	20	16	500	on request	6	1120	on request	on request	on request	on request	26 ¹ / ₄	32 ¹¹ / ₁₆	29 ¹⁵ / ₁₆	22 ¹ / ₁₆	on request	on request
20 x 16 x 21-1/2 HA	20	16	600	on request	6	1120	on request	on request	on request	on request	26 ¹ / ₄	32 ¹¹ / ₁₆	29 ¹⁵ / ₁₆	22 ¹ / ₁₆	on request	on request

- Dimensions are subject to change
- Not to be used for construction purposes unless certified.

Pumps with axially split housing

Single pumps (heating, air-conditioning, cooling and industry)



Dimensions, weights Wilo-SCP

Dimensions, weights of pump set (US units) – 6 pole motors

Wilo-SCP...	Nominal diameter		Power consumption	Dimensions										Weight	Dimension drawing	
	DN S	DN D		P ₂	H ₁	H ₂	HP	Ht	S ₁	S ₂	S ₃	S ₄	S ₅			SL
	[inch]		[hp]	[in.]										[lbs]	-	
12 x 10 x 27-1/2 DV	12	10	150	24 ¹ / ₂	18 ³ / ₄	50 ³ / ₁₆	15 ⁷ / ₁₆	on request	on request	on request	on request	on request	on request	on request	on request	A
12 x 10 x 27-1/2 DV	12	10	200	24 ¹ / ₂	18 ³ / ₄	50 ³ / ₁₆	15 ⁷ / ₁₆	on request	on request	on request	on request	on request	on request	on request	on request	A
12 x 10 x 27-1/2 DV	12	10	250	24 ¹ / ₂	18 ³ / ₄	50 ³ / ₁₆	15 ⁷ / ₁₆	on request	on request	on request	on request	on request	on request	on request	on request	A
12 x 10 x 27-1/2 DV	12	10	300	24 ¹ / ₂	18 ³ / ₄	50 ³ / ₁₆	15 ⁷ / ₁₆	on request	on request	on request	on request	on request	on request	on request	on request	A
12 x 10 x 27-1/2 DV	12	10	350	24 ¹ / ₂	18 ³ / ₄	50 ³ / ₁₆	15 ⁷ / ₁₆	on request	on request	on request	on request	on request	on request	on request	on request	A
12 x 10 x 27-1/2 DV	12	10	400	24 ¹ / ₂	18 ³ / ₄	50 ³ / ₁₆	15 ⁷ / ₁₆	on request	on request	on request	on request	on request	on request	on request	on request	A
12 x 10 x 27-1/2 DV	12	10	500	24 ¹ / ₂	18 ³ / ₄	50 ³ / ₁₆	15 ⁷ / ₁₆	on request	on request	on request	on request	on request	on request	on request	on request	A
12 x 10 x 29-1/2 DV	12	10	300	24 ¹ / ₂	18 ³ / ₄	50 ³ / ₁₆	15 ⁷ / ₁₆	on request	on request	on request	on request	on request	on request	on request	on request	A
12 x 10 x 29-1/2 DV	12	10	350	24 ¹ / ₂	18 ³ / ₄	50 ³ / ₁₆	15 ⁷ / ₁₆	on request	on request	on request	on request	on request	on request	on request	on request	A
12 x 10 x 29-1/2 DV	12	10	400	24 ¹ / ₂	18 ³ / ₄	50 ³ / ₁₆	15 ⁷ / ₁₆	on request	on request	on request	on request	on request	on request	on request	on request	A
12 x 10 x 29-1/2 DV	12	10	500	24 ¹ / ₂	18 ³ / ₄	50 ³ / ₁₆	15 ⁷ / ₁₆	on request	on request	on request	on request	on request	on request	on request	on request	A
18 x 14 x 19-1/2 HA	18	14	200	28 ³ / ₄	18 ⁷ / ₈	54 ⁵ / ₈	18 ³ / ₁₆	12 ⁵ / ₁₆	4	73 ⁷ / ₁₆	30 ³ / ₈	33 ¹ / ₈	81 ⁷ / ₁₆	4730	A	
18 x 14 x 19-1/2 HA	18	14	250	28 ³ / ₄	18 ⁷ / ₈	54 ⁵ / ₈	18 ³ / ₁₆	on request	on request	on request	on request	on request	on request	on request	on request	A
18 x 14 x 19-1/2 HA	18	14	300	28 ³ / ₄	18 ⁷ / ₈	54 ⁵ / ₈	18 ³ / ₁₆	on request	on request	on request	on request	on request	on request	on request	on request	A
18 x 14 x 19-1/2 HA	18	14	400	28 ³ / ₄	18 ⁷ / ₈	54 ⁵ / ₈	18 ³ / ₁₆	on request	on request	on request	on request	on request	on request	on request	on request	A
18 x 14 x 19-1/2 HA	18	14	500	28 ³ / ₄	18 ⁷ / ₈	54 ⁵ / ₈	18 ³ / ₁₆	on request	on request	on request	on request	on request	on request	on request	on request	A
18 x 16 x 28 HA	18	16	500	31 ¹ / ₂	22 ¹³ / ₁₆	61 ¹ / ₂	18 ¹ / ₈	on request	on request	on request	on request	on request	on request	on request	on request	A
18 x 16 x 28 HA	18	16	600	31 ¹ / ₂	22 ¹³ / ₁₆	61 ¹ / ₂	18 ¹ / ₈	on request	on request	on request	on request	on request	on request	on request	on request	A
18 x 16 x 28 HA	18	16	700	31 ¹ / ₂	22 ¹³ / ₁₆	61 ¹ / ₂	18 ¹ / ₈	on request	on request	on request	on request	on request	on request	on request	on request	A
18 x 16 x 28 HA	18	16	800	31 ¹ / ₂	22 ¹³ / ₁₆	61 ¹ / ₂	18 ¹ / ₈	on request	on request	on request	on request	on request	on request	on request	on request	A
18 x 16 x 28 HA	18	16	900	31 ¹ / ₂	22 ¹³ / ₁₆	61 ¹ / ₂	18 ¹ / ₈	on request	on request	on request	on request	on request	on request	on request	on request	A
20 x 16 x 18-1/2 HA	20	16	200	30 ¹¹ / ₁₆	20 ¹ / ₂	58 ¹ / ₈	20 ³ / ₁₆	16 ¹¹ / ₁₆	4	78 ⁷ / ₁₆	31 ¹ / ₈	33 ⁷ / ₈	86 ⁷ / ₁₆	4837	A	
20 x 16 x 18-1/2 HA	20	16	250	30 ¹¹ / ₁₆	20 ¹ / ₂	58 ¹ / ₈	20 ³ / ₁₆	on request	on request	on request	on request	on request	on request	on request	on request	A
20 x 16 x 18-1/2 HA	20	16	300	30 ¹¹ / ₁₆	20 ¹ / ₂	58 ¹ / ₈	20 ³ / ₁₆	on request	on request	on request	on request	on request	on request	on request	on request	A
20 x 16 x 18-1/2 HA	20	16	350	30 ¹¹ / ₁₆	20 ¹ / ₂	58 ¹ / ₈	20 ³ / ₁₆	on request	on request	on request	on request	on request	on request	on request	on request	A
20 x 16 x 18-1/2 HA	20	16	400	30 ¹¹ / ₁₆	20 ¹ / ₂	58 ¹ / ₈	20 ³ / ₁₆	on request	on request	on request	on request	on request	on request	on request	on request	A
20 x 16 x 21 HA	20	16	200	17 ⁵ / ₁₆	19 ⁵ / ₁₆	57 ³ / ₈	21 ¹ / ₄	11 ⁷ / ₁₆	9 ¹³ / ₁₆	70	35 ¹³ / ₁₆	38 ¹ / ₂	89 ¹¹ / ₁₆	5271	A	
20 x 16 x 21 HA	20	16	250	17 ⁵ / ₁₆	19 ⁵ / ₁₆	57 ³ / ₈	21 ¹ / ₄	on request	on request	on request	on request	on request	on request	on request	on request	A
20 x 16 x 21 HA	20	16	300	17 ⁵ / ₁₆	19 ⁵ / ₁₆	57 ³ / ₈	21 ¹ / ₄	on request	on request	on request	on request	on request	on request	on request	on request	A
20 x 16 x 21 HA	20	16	350	17 ⁵ / ₁₆	19 ⁵ / ₁₆	57 ³ / ₈	21 ¹ / ₄	on request	on request	on request	on request	on request	on request	on request	on request	A
20 x 16 x 21 HA	20	16	400	17 ⁵ / ₁₆	19 ⁵ / ₁₆	57 ³ / ₈	21 ¹ / ₄	on request	on request	on request	on request	on request	on request	on request	on request	A
20 x 16 x 21 HA	20	16	500	17 ⁵ / ₁₆	19 ⁵ / ₁₆	57 ³ / ₈	21 ¹ / ₄	on request	on request	on request	on request	on request	on request	on request	on request	A
20 x 16 x 21 HA	20	16	600	17 ⁵ / ₁₆	19 ⁵ / ₁₆	57 ³ / ₈	21 ¹ / ₄	on request	on request	on request	on request	on request	on request	on request	on request	A
20 x 16 x 21-1/2 HA	20	16	300	30 ¹¹ / ₁₆	19 ¹ / ₂	57 ³ / ₈	19 ⁷ / ₁₆	on request	on request	on request	on request	on request	on request	on request	on request	A
20 x 16 x 21-1/2 HA	20	16	350	30 ¹¹ / ₁₆	19 ¹ / ₂	57 ³ / ₈	19 ⁷ / ₁₆	on request	on request	on request	on request	on request	on request	on request	on request	A
20 x 16 x 21-1/2 HA	20	16	400	30 ¹¹ / ₁₆	19 ¹ / ₂	57 ³ / ₈	19 ⁷ / ₁₆	on request	on request	on request	on request	on request	on request	on request	on request	A
20 x 16 x 21-1/2 HA	20	16	500	30 ¹¹ / ₁₆	19 ¹ / ₂	57 ³ / ₈	19 ⁷ / ₁₆	on request	on request	on request	on request	on request	on request	on request	on request	A
20 x 16 x 21-1/2 HA	20	16	600	30 ¹¹ / ₁₆	19 ¹ / ₂	57 ³ / ₈	19 ⁷ / ₁₆	on request	on request	on request	on request	on request	on request	on request	on request	A

- Dimensions are subject to change
- Not be used for construction purposes unless certified.

Pumps with axially split housing

Single pumps (heating, air-conditioning, cooling and industry)



Dimensions, weights Wilo-SCP

Dimensions, weights of pump set (US units) - 4 pole motors

Wilo-SCP...	Nominal diameter		Power consumption	Motor housing	Number of poles	Nominal speed	Rated voltage	Dimensions								
	DN S	DN D						P ₂	-	n	U	a	L	I	L ₁	L ₂
	[inch]	[inch]	[hp]	[-]	[-]	[rpm]	[V]	[in.]								
2-1/2 x 2 x 8-1/2 HA	2 1/2	2	3	182T	4	1725	208-230/460	13	988	340	256	300	190	150	420	556
2-1/2 x 2 x 8-1/2 HA	2 1/2	2	5	184T	4	1750	208-230/460	13	989	340	256	300	190	150	420	556
3 x 2 x 7 HA	3	2	1.5	145T	4	1760	208-230/460	13	1021	370	301	369	200	170	338	670
3 x 2 x 7 HA	3	2	2	145T	4	1750	208-230/460	13	1021	370	301	369	200	170	338	670
3 x 2 x 7 HA	3	2	3	182T	4	1725	208-230/460	13	1102	370	301	369	200	170	420	670
3 x 2 x 7 HA	3	2	5	184T	4	1750	208-230/460	13	1103	370	301	369	200	170	420	670
3 x 2 x 13 HA	3	2	5	184T	4	1750	208-230/460	13	1135	479	317	385	261	218	420	702
3 x 2 x 13 HA	3	2	7.5	213T	4	1770	230/460	13	1169	479	317	385	261	218	454	702
3 x 2 x 13 HA	3	2	10	215T	4	1765	208-230/460	13	1198	479	317	385	261	218	483	702
3 x 2 x 13 HA	3	2	15	254T	4	1760	208-230/460	13	1250	479	317	385	261	218	535	702
3 x 2 x 13 HA	3	2	20	256T	4	1765	230/460	13	1303	479	317	385	261	218	588	702
3 x 2 x 13 DS	3	2	15	254T	4	1760	208-230/460	13	1346	515	381	417	300	215	535	798
3 x 2 x 13 DS	3	2	20	256T	4	1765	230/460	13	1399	515	381	417	300	215	588	798
3 x 2 x 13 DS	3	2	25	284T	4	1770	230/460	13	1470	515	381	417	300	215	659	798
3 x 2 x 13 DS	3	2	30	286T	4	1770	230/460	13	1470	515	381	417	300	215	659	798
3 x 2 x 13 DS	3	2	40	324T	4	1770	208-230/460	13	1582	515	381	417	300	215	772	798
3 x 2 x 13 DS	3	2	50	326T	4	1775	230/460	13	1582	515	381	417	300	215	772	798
3 x 2-1/2 x 15 HS	3	2 1/2	25	284T	4	1770	230/460	13	1360	550	298	389	300	250	659	687
3 x 2-1/2 x 15 HS	3	2 1/2	30	286T	4	1770	230/460	13	1360	550	298	389	300	250	659	687
3 x 2-1/2 x 15 HS	3	2 1/2	40	324T	4	1770	208-230/460	13	1472	550	298	389	300	250	772	687
4 x 3 x 7-1/2 HA	4	3	3	182T	4	1725	208-230/460	13	1163	415	331	399	225	190	420	730
4 x 3 x 7-1/2 HA	4	3	5	184T	4	1750	208-230/460	13	1163	415	331	399	225	190	420	730
4 x 3 x 7-1/2 HA	4	3	7.5	213T	4	1770	230/460	13	1198	415	331	399	225	190	454	730
4 x 3 x 9 HA	4	3	5	184T	4	1750	208-230/460	13	1178	415	346	399	225	190	420	745
4 x 3 x 9 HA	4	3	7.5	213T	4	1770	230/460	13	1213	415	346	399	225	190	454	745
4 x 3 x 9 HA	4	3	10	215T	4	1765	208-230/460	13	1241	415	346	399	225	190	483	745
4 x 3 x 13 HA	4	3	10	215T	4	1765	208-230/460	13	1241	505	346	399	275	230	483	745
4 x 3 x 13 HA	4	3	15	254T	4	1760	208-230/460	13	1293	505	346	399	275	230	535	745
4 x 3 x 13 HA	4	3	20	256T	4	1765	230/460	13	1346	505	346	399	275	230	588	745
4 x 3 x 13 HA	4	3	25	284T	4	1770	230/460	13	1418	505	346	399	275	230	659	745
4 x 3 x 13 HA	4	3	30	286T	4	1770	230/460	13	1418	505	346	399	275	230	659	745
4 x 3 x 13 HA	4	3	40	324T	4	1770	208-230/460	on request	on request	on request	338	399	275	230	on request	on request
4 x 3 x 14 DS	4	3	50	326T	4	1775	230/460	13	1649	545	415	450	280	265	772	865
4 x 3 x 14 DS	4	3	60	364T	4	1775	230/460	13	1716	545	415	450	280	265	839	865
4 x 3 x 14 DS	4	3	75	365T	4	1780	230/460	13	1716	545	415	450	280	265	839	865
4 x 3 x 14 DS	4	3	100	404T	4	1775	230/460	13	1823	545	415	450	280	265	945	865
4 x 3 x 15 DS	4	3	15	254T	4	1760	208-230/460	13	1429	577	422	458	335	242	535	881
4 x 3 x 15 DS	4	3	20	256T	4	1765	230/460	13	1482	577	422	458	335	242	588	881
4 x 3 x 15 DS	4	3	25	284T	4	1770	230/460	13	1553	577	422	458	335	242	659	881
4 x 3 x 15 DS	4	3	30	286T	4	1770	230/460	13	1553	577	422	458	335	242	659	881
4 x 3 x 15 DS	4	3	40	324T	4	1770	208-230/460	13	1666	577	422	458	335	242	772	881
4 x 3 x 15 DS	4	3	50	326T	4	1775	230/460	13	1666	577	422	458	335	242	772	881

- Dimensions are subject to change
- Not to be used for construction purposes unless certified.

Pumps with axially split housing

Single pumps (heating, air-conditioning, cooling and industry)



Dimensions, weights Wilo-SCP

Dimensions, weights of pump set (SI units) - 6 pole motors

Wilo-SCP...	Nominal diameter		Power consumption	Dimensions										Weight	Dimension drawing
	DN S	DN D		P ₂	H ₁	H ₂	HP	Ht	S ₁	S ₂	S ₃	S ₄	S ₅		
	[inch]		[hp]	[mm]										[kg]	-
2-1/2 x 2 x 8-1/2 HA	2 1/2	2	3	200	143	457	190	23	102	577	240	280	781	130	A
2-1/2 x 2 x 8-1/2 HA	2 1/2	2	5	200	143	457	190	23	102	577	240	280	781	135	A
3 x 2 x 7 HA	3	2	1.5	200	135	453	201	23	102	607	221	261	810	150	A
3 x 2 x 7 HA	3	2	2	200	135	453	201	23	102	607	221	261	810	150	A
3 x 2 x 7 HA	3	2	3	200	135	453	201	23	102	646	240	280	849	161	A
3 x 2 x 7 HA	3	2	5	200	135	453	201	23	102	646	240	280	849	166	A
3 x 2 x 13 HA	3	2	5	250	213	582	177	33	102	672	261	301	875	208	A
3 x 2 x 13 HA	3	2	7.5	250	213	582	177	33	102	745	262	302	949	234	A
3 x 2 x 13 HA	3	2	10	250	213	582	177	33	102	745	262	302	949	234	A
3 x 2 x 13 HA	3	2	15	250	213	582	177	33	102	815	307	347	1018	266	A
3 x 2 x 13 HA	3	2	20	250	213	582	177	33	102	859	307	347	1063	297	A
3 x 2 x 13 DS	3	2	15	290	225	658	248	73	102	887	287	347	1090	180	B
3 x 2 x 13 DS	3	2	20	290	225	658	248	73	102	932	287	347	1135	436	B
3 x 2 x 13 DS	3	2	25	290	225	658	248	73	102	986	312	372	1189	479	B
3 x 2 x 13 DS	3	2	30	290	225	658	248	73	102	986	312	372	1189	488	B
3 x 2 x 13 DS	3	2	40	290	225	658	248	73	102	1046	363	423	1249	551	B
3 x 2 x 13 DS	3	2	50	290	225	658	248	73	102	1046	363	423	1249	569	B
3 x 2-1/2 x 15 HS	3	2 1/2	25	280	230	627	182	43	102	928	332	372	1131	357	A
3 x 2-1/2 x 15 HS	3	2 1/2	30	280	230	627	182	43	102	928	332	372	1131	366	A
3 x 2-1/2 x 15 HS	3	2 1/2	40	280	230	627	182	43	102	988	383	423	1191	434	A
4 x 3 x 7-1/2 HA	4	3	3	250	155	523	233	33	102	686	261	301	889	195	A
4 x 3 x 7-1/2 HA	4	3	5	250	155	523	233	33	102	686	261	301	889	227	A
4 x 3 x 7-1/2 HA	4	3	7.5	250	155	523	233	33	102	759	262	302	963	254	A
4 x 3 x 9 HA	4	3	5	250	165	533	222	33	102	686	261	301	889	213	A
4 x 3 x 9 HA	4	3	7.5	250	165	533	222	33	102	759	262	302	963	239	A
4 x 3 x 9 HA	4	3	10	250	165	533	222	33	102	759	262	302	963	239	A
4 x 3 x 13 HA	4	3	10	300	225	643	218	33	102	759	262	302	963	242	A
4 x 3 x 13 HA	4	3	15	300	225	643	218	33	102	829	307	347	1032	276	A
4 x 3 x 13 HA	4	3	20	300	225	643	218	33	102	873	307	347	1077	306	A
4 x 3 x 13 HA	4	3	25	300	225	643	218	33	102	928	332	372	1131	343	A
4 x 3 x 13 HA	4	3	30	300	225	643	218	33	102	928	332	372	1131	352	A
4 x 3 x 13 HA	4	3	40	300	225	643	218	33	102	on request	on request	on request	on request	415	A
4 x 3 x 14 DS	4	3	50	310	320	773	261	58	102	1064	401	461	1267	520	B
4 x 3 x 14 DS	4	3	60	310	320	773	261	58	102	1102	401	461	1305	605	B
4 x 3 x 14 DS	4	3	75	310	320	773	261	58	102	1102	401	461	1305	671	B
4 x 3 x 14 DS	4	3	100	310	320	773	261	58	102	1203	471	531	1407	652	B
4 x 3 x 15 DS	4	3	15	340	250	734	276	93	102	949	287	347	1152	419	B
4 x 3 x 15 DS	4	3	20	340	250	734	276	93	102	993	287	347	1196	449	B
4 x 3 x 15 DS	4	3	25	340	250	734	276	93	102	1047	312	372	1250	489	B
4 x 3 x 15 DS	4	3	30	340	250	734	276	93	102	1047	312	372	1250	498	B
4 x 3 x 15 DS	4	3	40	340	250	734	276	93	102	1108	363	423	1311	563	B
4 x 3 x 15 DS	4	3	50	340	250	734	276	93	102	1108	363	423	1311	582	B

- Dimensions are subject to change
- Not be used for construction purposes unless certified.

Pumps with axially split housing

Single pumps (heating, air-conditioning, cooling and industry)



Dimensions, weights Wilo-SCP

Dimensions, weights of pump set (SI units) – 6 pole motors

Wilo-SCP...	Nominal diameter		Power consumption	Motor housing	Number of poles	Nominal speed	Rated voltage	Dimensions								
	DN S	DN D						P ₂	n	U	a	L	I	L ₁	L ₂	L ₃
	[inch]		[hp]	[-]	[-]	[rpm]	[V]	[mm]								
5 x 4 x 10-1/2 HA	5	4	10	215T	4	1765	208-230/460	13	1241	515	346	399	285	230	483	745
5 x 4 x 10-1/2 HA	5	4	15	254T	4	1760	208-230/460	13	1293	515	346	399	285	230	535	745
5 x 4 x 10-1/2 HA	5	4	20	256T	4	1765	230/460	13	1346	515	346	399	285	230	588	745
5 x 4 x 10-1/2 HA	5	4	25	284T	4	1770	230/460	13	1418	515	346	399	285	230	659	745
5 x 4 x 10-1/2 HA	5	4	30	286T	4	1770	230/460	13	1418	515	346	399	285	230	659	745
5 x 4 x 11 HA	5	4	10	215T	4	1765	208-230/460	13	1241	550	346	399	300	250	483	745
5 x 4 x 11 HA	5	4	15	254T	4	1760	208-230/460	13	1293	550	346	399	300	250	535	745
5 x 4 x 11 HA	5	4	20	256T	4	1765	230/460	13	1346	550	346	399	300	250	588	745
5 x 4 x 11 HA	5	4	25	284T	4	1770	230/460	13	1418	550	346	399	300	250	659	745
5 x 4 x 11 HA	5	4	30	286T	4	1770	230/460	13	1418	550	346	399	300	250	659	745
5 x 4 x 11 HA	5	4	40	324T	4	1770	208-230/460	13	1530	550	346	399	300	250	772	745
5 x 4 x 14 HA	5	4	20	256T	4	1765	230/460	13	1346	625	346	399	350	275	588	745
5 x 4 x 14 HA	5	4	25	284T	4	1770	230/460	13	1418	625	346	399	350	275	659	745
5 x 4 x 14 HA	5	4	30	286T	4	1770	230/460	13	1418	625	346	399	350	275	659	745
5 x 4 x 14 HA	5	4	40	324T	4	1770	208-230/460	13	1530	625	346	399	350	275	772	745
5 x 4 x 14 HA	5	4	50	326T	4	1775	230/460	13	1530	625	346	399	350	275	772	745
5 x 4 x 15-1/2 HA	5	4	40	324T	4	1770	208-230/460	13	1530	625	346	399	350	275	772	745
5 x 4 x 15-1/2 HA	5	4	50	326T	4	1775	230/460	13	1530	625	346	399	350	275	772	745
5 x 4 x 15-1/2 HA	5	4	60	364T	4	1775	230/460	13	1597	625	346	399	350	275	839	745
5 x 4 x 15-1/2 HA	5	4	75	365T	4	1780	230/460	13	1597	625	346	399	350	275	839	745
5 x 4 x 15-1/2 HA	5	4	100	404T	4	1775	230/460	13	1704	625	346	399	350	275	945	745
5 x 4 x 15-1/2 HA	5	4	125	405T	4	1775	460	13	1882	625	346	399	350	275	1124	745
5 x 4 x 16 DS	5	4	50	326T	4	1775	230/460	13	1759	620	465	510	320	300	772	975
5 x 4 x 16 DS	5	4	60	364T	4	1775	230/460	13	1826	620	465	510	320	300	839	975
5 x 4 x 16 DS	5	4	75	365T	4	1780	230/460	13	1826	620	465	510	320	300	839	975
5 x 4 x 16 DS	5	4	100	404T	4	1775	230/460	13	1933	620	465	510	320	300	945	975
5 x 4 x 16 DS	5	4	125	405T	4	1775	460	13	2111	620	465	510	320	300	1124	975
6 x 5 x 11 HA	6	5	20	256T	4	1765	230/460	13	1455	625	396	458	350	275	588	854
6 x 5 x 11 HA	6	5	25	284T	4	1770	230/460	13	1526	625	396	458	350	275	659	854
6 x 5 x 11 HA	6	5	30	286T	4	1770	230/460	13	1526	625	396	458	350	275	659	854
6 x 5 x 11 HA	6	5	40	324T	4	1770	208-230/460	13	1639	625	396	458	350	275	772	854
6 x 5 x 11 HA	6	5	50	326T	4	1775	230/460	13	1639	625	396	458	350	275	772	854
6 x 5 x 18 DS	6	5	125	405T	4	1775	460	13	2236	750	520	580	400	350	1124	1100
6 x 5 x 18 DS	6	5	150	444T	4	1780	460	13	2236	750	520	580	400	350	1124	1100
6 x 5 x 18 DS	6	5	200	445T	4	1780	460	13	2236	750	520	580	400	350	1124	1100
6 x 5 x 18 DS	6	5	250	445T	4	1780	460	5	2318	750	520	580	400	350	1213	1100
6 x 5 x 12-1/2 HA	6	5	30	286T	4	1770	230/460	13	1526	636	396	458	350	286	659	854
6 x 5 x 12-1/2 HA	6	5	40	324T	4	1770	208-230/460	13	1639	636	396	458	350	286	772	854
6 x 5 x 12-1/2 HA	6	5	50	326T	4	1775	230/460	13	1639	636	396	458	350	286	772	854
6 x 5 x 12-1/2 HA	6	5	60	364T	4	1775	230/460	13	1706	636	396	458	350	286	839	854
6 x 5 x 12-1/2 HA	6	5	75	365T	4	1780	230/460	13	1706	636	396	458	350	286	839	854
6 x 5 x 12-1/2 HA	6	5	100	404T	4	1775	230/460	13	1812	636	396	458	350	286	945	854
6 x 5 x 18-1/2 HA	6	5	100	404T	4	1775	230/460	13	2001	820	483	560	420	400	945	1043
6 x 5 x 18-1/2 HA	6	5	125	405T	4	1775	460	13	2180	820	483	560	420	400	1124	1043
6 x 5 x 18-1/2 HA	6	5	150	444T	4	1780	460	13	2180	820	483	560	420	400	1124	1043
6 x 5 x 18-1/2 HA	6	5	200	445T	4	1780	460	13	2180	820	483	560	420	400	1124	1043
6 x 5 x 18-1/2 HA	6	5	250	445T	4	1780	460	5	2261	820	483	560	420	400	1213	1043
6 x 5 x 18-1/2 HA	6	5	300	445T	4	1780	460	5	2405	820	483	560	420	400	1356	1043

- Dimensions are subject to change
- Not to be used for construction purposes unless certified.

Pumps with axially split housing

Single pumps (heating, air-conditioning, cooling and industry)



Dimensions, weights Wilo-SCP

Dimensions, weights of pump set (SI units) - 6 pole motors

Wilo-SCP...	Nominal diameter		Power consumption	Dimensions										Weight	Dimension drawing
	DN S	DN D		P ₂	H ₁	H ₂	HP	Ht	S ₁	S ₂	S ₃	S ₄	S ₅		
	[inch]		[hp]	[mm]										[kg]	-
5 x 4 x 10-1/2 HA	5	4	10	270	198	584	221	108	102	835	321	361	1038	279	A
5 x 4 x 10-1/2 HA	5	4	15	270	198	584	221	108	102	904	307	347	1107	310	A
5 x 4 x 10-1/2 HA	5	4	20	270	198	584	221	108	102	949	307	347	1152	341	A
5 x 4 x 10-1/2 HA	5	4	25	270	198	584	221	108	102	1003	332	372	1206	376	A
5 x 4 x 10-1/2 HA	5	4	30	270	198	584	221	108	102	1003	332	372	1206	385	A
5 x 4 x 11 HA	5	4	10	270	190	578	213	108	102	835	321	361	1038	249	A
5 x 4 x 11 HA	5	4	15	270	190	578	213	108	102	904	321	361	1107	280	A
5 x 4 x 11 HA	5	4	20	270	190	578	213	108	102	949	321	361	1152	311	A
5 x 4 x 11 HA	5	4	25	270	190	578	213	108	102	1003	332	372	1206	347	A
5 x 4 x 11 HA	5	4	30	270	190	578	213	108	102	1003	332	372	1206	355	A
5 x 4 x 11 HA	5	4	40	270	190	578	213	108	102	1063	383	423	1266	423	A
5 x 4 x 14 HA	5	4	20	320	245	683	213	108	102	949	341	381	1152	327	A
5 x 4 x 14 HA	5	4	25	320	245	683	213	108	102	1003	332	372	1206	368	A
5 x 4 x 14 HA	5	4	30	320	245	683	213	108	102	1003	332	372	1206	376	A
5 x 4 x 14 HA	5	4	40	320	245	683	213	108	102	1063	383	423	1266	440	A
5 x 4 x 14 HA	5	4	50	320	245	683	213	108	102	1063	383	423	1266	459	A
5 x 4 x 15-1/2 HA	5	4	40	320	245	683	213	108	102	1063	383	423	1266	440	A
5 x 4 x 15-1/2 HA	5	4	50	320	245	683	213	108	102	1063	383	423	1266	459	A
5 x 4 x 15-1/2 HA	5	4	60	320	245	683	213	108	102	1101	421	461	1305	543	A
5 x 4 x 15-1/2 HA	5	4	75	320	245	683	213	108	102	1101	421	461	1305	610	A
5 x 4 x 15-1/2 HA	5	4	100	320	245	683	213	108	102	1202	491	531	1406	594	A
5 x 4 x 15-1/2 HA	5	4	125	320	245	683	213	108	102	1202	491	531	1406	692	A
5 x 4 x 16 DS	5	4	50	350	365	859	274	75	102	1141	401	461	1344	587	B
5 x 4 x 16 DS	5	4	60	350	365	859	274	75	102	1179	401	461	1382	672	B
5 x 4 x 16 DS	5	4	75	350	365	859	274	75	102	1179	401	461	1382	739	B
5 x 4 x 16 DS	5	4	100	350	365	859	274	75	102	1280	471	531	1484	716	B
5 x 4 x 16 DS	5	4	125	350	365	859	274	75	102	1280	471	531	1484	814	B
6 x 5 x 11 HA	6	5	20	320	240	704	250	108	102	1008	321	381	1211	348	A
6 x 5 x 11 HA	6	5	25	320	240	704	250	108	102	1062	312	372	1265	390	A
6 x 5 x 11 HA	6	5	30	320	240	704	250	108	102	1062	312	372	1265	398	A
6 x 5 x 11 HA	6	5	40	320	240	704	250	108	102	1122	363	423	1325	461	A
6 x 5 x 11 HA	6	5	50	320	240	704	250	108	102	1122	363	423	1325	480	A
6 x 5 x 18 DS	6	5	125	400	410	958	302	98	102	1373	536	596	1576	1050	B
6 x 5 x 18 DS	6	5	150	400	410	958	302	98	102	1504	547	607	1707	1331	B
6 x 5 x 18 DS	6	5	200	400	410	958	302	98	102	1504	547	607	1707	1392	B
6 x 5 x 18 DS	6	5	250	400	410	958	302	98	102	1522	547	607	1725	on request	B
6 x 5 x 12-1/2 HA	6	5	30	320	240	704	250	108	102	1062	312	372	1265	428	A
6 x 5 x 12-1/2 HA	6	5	40	320	240	704	250	108	102	1122	363	423	1325	491	A
6 x 5 x 12-1/2 HA	6	5	50	320	240	704	250	108	102	1122	363	423	1325	510	A
6 x 5 x 12-1/2 HA	6	5	60	320	240	704	250	108	102	1160	401	461	1364	596	A
6 x 5 x 12-1/2 HA	6	5	75	320	240	704	250	108	102	1160	401	461	1364	662	A
6 x 5 x 12-1/2 HA	6	5	100	320	240	704	250	108	102	1261	471	531	1465	647	A
6 x 5 x 18-1/2 HA	6	5	100	415	320	883	268	148	102	1403	481	541	1606	975	A
6 x 5 x 18-1/2 HA	6	5	125	415	320	883	268	148	102	1403	481	541	1606	1073	A
6 x 5 x 18-1/2 HA	6	5	150	415	320	883	268	148	102	1534	547	607	1737	1353	A
6 x 5 x 18-1/2 HA	6	5	200	415	320	883	268	148	102	1534	547	607	1737	1413	A
6 x 5 x 18-1/2 HA	6	5	250	415	320	883	268	148	102	1526	547	607	1729	on request	A
6 x 5 x 18-1/2 HA	6	5	300	415	320	883	268	148	102	1526	547	607	1729	on request	A

- Dimensions are subject to change
- Not be used for construction purposes unless certified.

Pumps with axially split housing

Single pumps (heating, air-conditioning, cooling and industry)



Dimensions, weights Wilo-SCP

Dimensions, weights of pump set (SI units) - 4 pole motors

Wilo-SCP...	Nominal diameter		Power consumption	Motor housing	Number of poles	Nominal speed	Rated voltage	Dimensions								
	DN S	DN D						P ₂	-	n	U	a	L	I	L ₁	L ₂
	[inch]		[hp]	[-]	[-]	[rpm]	[V]	[mm]								
8 x 6 x 11 HA	8	6	50	326T	4	1775	230/460	13	1639	615	396	458	350	265	772	854
8 x 6 x 11 HA	8	6	60	364T	4	1775	230/460	13	1706	615	396	458	350	265	839	854
8 x 6 x 11 HA	8	6	75	365T	4	1780	230/460	13	1706	615	396	458	350	265	839	854
8 x 6 x 11 HA	8	6	100	404T	4	1775	230/460	13	1812	615	396	458	350	265	945	854
8 x 6 x 15 HA	8	6	40	324T	4	1770	208-230/460	13	1670	736	411	474	406	330	772	885
8 x 6 x 15 HA	8	6	50	326T	4	1775	230/460	13	1670	736	411	474	406	330	772	885
8 x 6 x 15 HA	8	6	60	364T	4	1775	230/460	13	1736	736	411	474	406	330	839	885
8 x 6 x 15 HA	8	6	75	365T	4	1780	230/460	13	1736	736	411	474	406	330	839	885
8 x 6 x 15 HA	8	6	100	404T	4	1775	230/460	13	1843	736	411	474	406	330	945	885
8 x 6 x 15 HA	8	6	125	405T	4	1775	460	13	2021	736	411	474	406	330	1124	885
8 x 6 x 15 HA	8	6	150	444T	4	1780	460	13	2021	736	411	474	406	330	1124	885
8 x 6 x 15 HA	8	6	200	445T	4	1780	460	13	2021	736	411	474	406	330	1124	885
8 x 6 x 17 HA	8	6	100	404T	4	1775	230/460	13	1843	813	411	474	432	381	945	885
8 x 6 x 17 HA	8	6	125	405T	4	1775	460	13	2021	813	411	474	432	381	1124	885
8 x 6 x 17 HA	8	6	150	444T	4	1780	460	13	2021	813	411	474	432	381	1124	885
8 x 6 x 17 HA	8	6	200	445T	4	1780	460	13	2021	813	411	474	432	381	1124	885
8 x 6 x 17 HA	8	6	250	445T	4	1780	460	5	2103	813	411	474	432	381	1213	885
8 x 6 x 17-1/2 HA	8	6	60	364T	4	1775	230/460	13	1736	813	411	474	432	381	839	885
8 x 6 x 17-1/2 HA	8	6	75	365T	4	1780	230/460	13	1736	813	411	474	432	381	839	885
8 x 6 x 17-1/2 HA	8	6	100	404T	4	1775	230/460	13	1843	813	411	474	432	381	945	885
8 x 6 x 17-1/2 HA	8	6	125	405T	4	1775	460	13	2021	813	411	474	432	381	1124	885
8 x 6 x 17-1/2 HA	8	6	150	444T	4	1780	460	13	2021	813	411	474	432	381	1124	885
8 x 6 x 17-1/2 HA	8	6	200	445T	4	1780	460	13	2021	813	411	474	432	381	1124	885
8 x 6 x 18 DS	8	6	150	444T	4	1780	460	13	2356	770	555	665	440	330	1124	1220
8 x 6 x 18 DS	8	6	200	445T	4	1780	460	13	2356	770	555	665	440	330	1124	1220
8 x 6 x 18 DS	8	6	250	445T	4	1780	460	5	2438	770	555	665	440	330	1213	1220
8 x 6 x 18 DS	8	6	300	445T	4	1780	460	5	2581	770	555	665	440	330	1356	1220
8 x 6 x 18 DS	8	6	350	449T	4	1780	460	5	2581	770	555	665	440	330	1356	1220
8 x 6 x 20-1/2 HA	8	6	125	405T	4	1775	460	13	2264	890	505	622	450	440	1124	1128
8 x 6 x 20-1/2 HA	8	6	150	444T	4	1780	460	13	2264	890	505	622	450	440	1124	1128
8 x 6 x 20-1/2 HA	8	6	200	445T	4	1780	460	13	2264	890	505	622	450	440	1124	1128
8 x 6 x 20-1/2 HA	8	6	250	445T	4	1780	460	5	2345	890	505	622	450	440	1213	1128
8 x 6 x 20-1/2 HA	8	6	300	445T	4	1780	460	5	2489	890	505	622	450	440	1356	1128
8 x 6 x 20-1/2 HA	8	6	350	449T	4	1780	460	5	2489	890	505	622	450	440	1356	1128
8 x 6 x 20-1/2 HA	8	6	400	449T	4	1780	460	5	2489	890	505	622	450	440	1356	1128
8 x 8 x 12 HA	8	8	50	326T	4	1775	230/460	13	1670	724	411	474	406	317	772	885
8 x 8 x 12 HA	8	8	60	364T	4	1775	230/460	13	1736	724	411	474	406	317	839	885
8 x 8 x 12 HA	8	8	75	365T	4	1780	230/460	13	1736	724	411	474	406	317	839	885
8 x 8 x 12 HA	8	8	100	404T	4	1775	230/460	13	1843	724	411	474	406	317	945	885
8 x 8 x 12 HA	8	8	125	405T	4	1775	460	13	2021	724	411	474	406	317	1124	885

- Dimensions are subject to change
- Not be used for construction purposes unless certified.

Pumps with axially split housing

Single pumps (heating, air-conditioning, cooling and industry)



Dimensions, weights Wilo-SCP

Dimensions, weights of pump set (SI units) - 4 pole motors

Wilo-SCP...	Nominal diameter		Power consumption	Dimensions										Weight	Dimension drawing
	DN S	DN D		P ₂	H ₁	H ₂	HP	Ht	S ₁	S ₂	S ₃	S ₄	S ₅	SL	M
	[inch]		[hp]	[mm]										[kg]	-
8 x 6 x 11 HA	8	6	50	380	255	779	304	98	102	1112	386	446	1315	677	A
8 x 6 x 11 HA	8	6	60	380	255	779	304	98	102	1150	401	461	1353	764	A
8 x 6 x 11 HA	8	6	75	380	255	779	304	98	102	1150	401	461	1353	831	A
8 x 6 x 11 HA	8	6	100	380	255	779	304	98	102	1251	471	531	1454	806	A
8 x 6 x 15 HA	8	6	40	343	280	771	262	158	102	1188	441	501	1391	631	A
8 x 6 x 15 HA	8	6	50	343	280	771	262	158	102	1188	441	501	1391	650	A
8 x 6 x 15 HA	8	6	60	343	280	771	262	158	102	1226	441	501	1430	733	A
8 x 6 x 15 HA	8	6	75	343	280	771	262	158	102	1226	441	501	1430	800	A
8 x 6 x 15 HA	8	6	100	343	280	771	262	158	102	1327	471	531	1531	768	A
8 x 6 x 15 HA	8	6	125	343	280	771	262	158	102	1327	471	531	1531	866	A
8 x 6 x 15 HA	8	6	150	343	280	771	262	158	102	1458	547	607	1661	1155	A
8 x 6 x 15 HA	8	6	200	343	280	771	262	158	102	1198	547	607	1401	1215	A
8 x 6 x 17 HA	8	6	100	425	305	878	299	158	102	1327	471	531	1531	836	A
8 x 6 x 17 HA	8	6	125	425	305	878	299	158	102	1327	471	531	1531	934	A
8 x 6 x 17 HA	8	6	150	425	305	878	299	158	102	1458	547	607	1661	1218	A
8 x 6 x 17 HA	8	6	200	425	305	878	299	158	102	1458	547	607	1661	1278	A
8 x 6 x 17 HA	8	6	250	425	305	878	299	158	102	1476	547	607	1679	on request	A
8 x 6 x 17-1/2 HA	8	6	60	425	305	878	299	158	102	1226	441	501	1430	792	A
8 x 6 x 17-1/2 HA	8	6	75	425	305	878	299	158	102	1226	441	501	1430	859	A
8 x 6 x 17-1/2 HA	8	6	100	425	305	878	299	158	102	1327	471	531	1531	836	A
8 x 6 x 17-1/2 HA	8	6	125	425	305	878	299	158	102	1327	471	531	1531	934	A
8 x 6 x 17-1/2 HA	8	6	150	425	305	878	299	158	102	1458	547	607	1661	1218	A
8 x 6 x 17-1/2 HA	8	6	200	425	305	878	299	158	102	1458	547	607	1661	1278	A
8 x 6 x 18 DS	8	6	150	470	317	935	368	213	102	1704	547	607	1907	1533	B
8 x 6 x 18 DS	8	6	200	470	317	935	368	213	102	1704	547	607	1907	1593	B
8 x 6 x 18 DS	8	6	250	470	317	935	368	213	102	1722	547	607	1925	on request	B
8 x 6 x 18 DS	8	6	300	470	317	935	368	213	102	1722	547	607	1925	on request	B
8 x 6 x 18 DS	8	6	350	470	317	935	368	213	102	1931	534	594	2134	on request	B
8 x 6 x 20-1/2 HA	8	6	125	465	370	986	295	208	102	1526	551	611	1729	1162	A
8 x 6 x 20-1/2 HA	8	6	150	465	370	986	295	208	102	1656	551	611	1859	1441	A
8 x 6 x 20-1/2 HA	8	6	200	465	370	986	295	208	102	1656	551	611	1859	1501	A
8 x 6 x 20-1/2 HA	8	6	250	465	370	986	295	208	102	1674	551	611	1877	on request	A
8 x 6 x 20-1/2 HA	8	6	300	465	370	986	295	208	102	1674	551	611	1877	on request	A
8 x 6 x 20-1/2 HA	8	6	350	465	370	986	295	208	102	1884	551	611	2087	on request	A
8 x 6 x 20-1/2 HA	8	6	400	465	370	986	295	208	102	1884	551	611	2087	on request	A
8 x 8 x 12 HA	8	8	50	343	270	761	264	158	102	1188	441	501	1391	688	A
8 x 8 x 12 HA	8	8	60	343	270	761	264	158	102	1226	441	501	1430	772	A
8 x 8 x 12 HA	8	8	75	343	270	761	264	158	102	1226	441	501	1430	839	A
8 x 8 x 12 HA	8	8	100	343	270	761	264	158	102	1327	471	531	1531	806	A
8 x 8 x 12 HA	8	8	125	343	270	761	264	158	102	1327	471	531	1531	904	A

- Dimensions are subject to change
- Not be used for construction purposes unless certified.

Pumps with axially split housing

Single pumps (heating, air-conditioning, cooling and industry)



Dimensions, weights Wilo-SCP

Dimensions, weights of pump set (SI units) - 4 pole motors

Wilo-SCP...	Nominal diameter		Power consumption	Motor housing	Number of poles	Nominal speed	Rated voltage	Dimensions								
	DN S	DN D						P ₂	n			U	a	L	I	L ₁
	[inch]	[inch]	[hp]	[-]	[-]	[rpm]	[V]	[mm]								
8 x 8 x 14-1/2 HA	8	8	100	404T	4	1775	230/460	13	2001	770	483	560	420	350	945	1043
8 x 8 x 14-1/2 HA	8	8	125	405T	4	1775	460	13	2180	770	483	560	420	350	1124	1043
8 x 8 x 14-1/2 HA	8	8	150	444T	4	1780	460	13	2180	770	483	560	420	350	1124	1043
8 x 8 x 14-1/2 HA	8	8	200	445T	4	1780	460	13	2180	770	483	560	420	350	1124	1043
8 x 8 x 14-1/2 HA	8	8	250	445T	4	1780	460	5	2261	770	483	560	420	350	1213	1043
8 x 8 x 14-1/2 HA	8	8	300	445T	4	1780	460	5	2405	770	483	560	420	350	1356	1043
8 x 8 x 18-1/2 HA	8	8	200	445T	4	1780	460	13	2273	927	525	612	470	457	1124	1137
8 x 8 x 18-1/2 HA	8	8	250	445T	4	1780	460	5	2355	927	525	612	470	457	1213	1137
8 x 8 x 18-1/2 HA	8	8	300	445T	4	1780	460	5	2498	927	525	612	470	457	1356	1137
8 x 8 x 18-1/2 HA	8	8	350	449T	4	1780	460	5	2498	927	525	612	470	457	1356	1137
8 x 8 x 18-1/2 HA	8	8	400	449T	4	1780	460	5	2498	927	525	612	470	457	1356	1137
8 x 8 x 21-1/2 HA	8	8	200	445T	4	1780	460	13	2273	927	525	612	470	457	1124	1137
8 x 8 x 21-1/2 HA	8	8	250	445T	4	1780	460	5	2355	927	525	612	470	457	1213	1137
8 x 8 x 21-1/2 HA	8	8	300	445T	4	1780	460	5	2498	927	525	612	470	457	1356	1137
8 x 8 x 21-1/2 HA	8	8	350	449T	4	1780	460	5	2498	927	525	612	470	457	1356	1137
8 x 8 x 21-1/2 HA	8	8	400	449T	4	1780	460	5	2498	927	525	612	470	457	1356	1137
8 x 8 x 21-1/2 HA	8	8	500	on request	4	1760	on request	on request	on request	on request	525	612	470	457	on request	on request
10 x 8 x 12-1/2 HA	10	8	60	364T	4	1775	230/460	13	1736	749	411	474	432	317	839	885
10 x 8 x 12-1/2 HA	10	8	75	365T	4	1780	230/460	13	1736	749	411	474	432	317	839	885
10 x 8 x 12-1/2 HA	10	8	100	404T	4	1775	230/460	13	1843	749	411	474	432	317	945	885
10 x 8 x 12-1/2 HA	10	8	125	405T	4	1775	460	13	2021	749	411	474	432	317	1124	885
10 x 8 x 12-1/2 HA	10	8	150	444T	4	1780	460	13	2021	749	411	474	432	317	1124	885
10 x 8 x 12-1/2 HA	10	8	200	445T	4	1780	460	13	2021	749	411	474	432	317	1124	885
10 x 8 x 15 HA	10	8	125	405T	4	1775	460	13	2273	864	525	612	483	381	1124	1137
10 x 8 x 15 HA	10	8	150	444T	4	1780	460	13	2273	864	525	612	483	381	1124	1137
10 x 8 x 15 HA	10	8	200	445T	4	1780	460	13	2273	864	525	612	483	381	1124	1137
10 x 8 x 15 HA	10	8	250	445T	4	1780	460	5	2355	864	525	612	483	381	1213	1137
10 x 8 x 15 HA	10	8	300	445T	4	1780	460	5	2498	864	525	612	483	381	1356	1137
10 x 8 x 17 HA	10	8	125	405T	4	1775	460	13	2264	840	505	622	440	400	1124	1128
10 x 8 x 17 HA	10	8	150	444T	4	1780	460	13	2264	840	505	622	440	400	1124	1128
10 x 8 x 17 HA	10	8	200	445T	4	1780	460	13	2264	840	505	622	440	400	1124	1128
10 x 8 x 17 HA	10	8	250	445T	4	1780	460	5	2345	840	505	622	440	400	1213	1128
10 x 8 x 17 HA	10	8	300	445T	4	1780	460	5	2489	840	505	622	440	400	1356	1128
10 x 8 x 17 HA	10	8	350	449T	4	1780	460	5	2489	840	505	622	440	400	1356	1128
10 x 8 x 18 HA	10	8	200	445T	4	1780	460	13	2273	940	525	612	482	457	1124	1137
10 x 8 x 18 HA	10	8	250	445T	4	1780	460	5	2355	940	525	612	482	457	1213	1137
10 x 8 x 18 HA	10	8	300	445T	4	1780	460	5	2498	940	525	612	482	457	1356	1137
10 x 8 x 18 HA	10	8	350	449T	4	1780	460	5	2498	940	525	612	482	457	1356	1137
10 x 8 x 18 HA	10	8	400	449T	4	1780	460	5	2498	940	525	612	482	457	1356	1137
10 x 8 x 18 HA	10	8	500	on request	4	1760	on request	on request	on request	on request	525	612	483	458	on request	on request
10 x 8 x 22 HA	10	8	350	449T	4	1780	460	5	2648	979	594	693	521	458	1356	1287
10 x 8 x 22 HA	10	8	400	449T	4	1780	460	5	2648	979	594	693	521	458	1356	1287
10 x 8 x 22 HA	10	8	500	on request	4	1760	on request	on request	on request	on request	594	693	521	458	on request	on request
10 x 8 x 22 HA	10	8	600	on request	4	1760	on request	on request	on request	on request	594	693	521	458	on request	on request
10 x 8 x 22 HA	10	8	700	on request	4	1760	on request	on request	on request	on request	594	693	521	458	on request	on request
10 x 8 x 22 HA	10	8	800	on request	4	1760	on request	on request	on request	on request	594	693	521	458	on request	on request

- Dimensions are subject to change
- Not be used for construction purposes unless certified.

Pumps with axially split housing

Single pumps (heating, air-conditioning, cooling and industry)



Dimensions, weights Wilo-SCP

Dimensions, weights of pump set (SI units) - 4 pole motors

Wilo-SCP...	Nominal diameter		Power consumption P ₂	Dimensions										Weight M	Dimension drawing -
	DN S	DN D		H ₁	H ₂	HP	Ht	S ₁	S ₂	S ₃	S ₄	S ₅	SL		
	[inch]		[hp]	[mm]										[kg]	-
8 x 8 x 14-1/2 HA	8	8	100	430	310	888	308	138	102	1393	481	541	1597	951	A
8 x 8 x 14-1/2 HA	8	8	125	430	310	888	308	138	102	1393	481	541	1597	1048	A
8 x 8 x 14-1/2 HA	8	8	150	430	310	888	308	138	102	1524	547	607	1727	1329	A
8 x 8 x 14-1/2 HA	8	8	200	430	310	888	308	138	102	1524	547	607	1727	1389	A
8 x 8 x 14-1/2 HA	8	8	250	430	310	888	308	138	102	1542	547	607	1745	on request	A
8 x 8 x 14-1/2 HA	8	8	300	430	310	888	308	138	102	1542	547	607	1745	on request	A
8 x 8 x 18-1/2 HA	8	8	200	463	370	980	268	158	102	1596	547	607	1799	1627	A
8 x 8 x 18-1/2 HA	8	8	250	463	370	980	268	158	102	1614	547	607	1817	on request	A
8 x 8 x 18-1/2 HA	8	8	300	463	370	980	268	158	102	1614	547	607	1817	on request	A
8 x 8 x 18-1/2 HA	8	8	350	463	370	980	268	158	102	1823	534	594	2027	on request	A
8 x 8 x 18-1/2 HA	8	8	400	463	370	980	268	158	102	1823	534	594	2027	on request	A
8 x 8 x 21-1/2 HA	8	8	200	463	370	980	268	158	102	1596	547	607	1799	1627	A
8 x 8 x 21-1/2 HA	8	8	250	463	370	980	268	158	102	1614	547	607	1817	on request	A
8 x 8 x 21-1/2 HA	8	8	300	463	370	980	268	158	102	1614	547	607	1817	on request	A
8 x 8 x 21-1/2 HA	8	8	350	463	370	980	268	158	102	1823	534	594	2027	on request	A
8 x 8 x 21-1/2 HA	8	8	400	463	370	980	268	158	102	1823	534	594	2027	on request	A
8 x 8 x 21-1/2 HA	8	8	500	464	370	980	268	109	137	10	16	54	on request	on request	A
10 x 8 x 12-1/2 HA	10	8	60	425	290	862	324	158	102	1226	441	501	1430	816	A
10 x 8 x 12-1/2 HA	10	8	75	425	290	862	324	158	102	1226	441	501	1430	884	A
10 x 8 x 12-1/2 HA	10	8	100	425	290	862	324	158	102	1327	471	531	1531	861	A
10 x 8 x 12-1/2 HA	10	8	125	425	290	862	324	158	102	1327	471	531	1531	959	A
10 x 8 x 12-1/2 HA	10	8	150	425	290	862	324	158	102	1458	547	607	1661	1243	A
10 x 8 x 12-1/2 HA	10	8	200	425	290	862	324	158	102	1458	547	607	1661	1303	A
10 x 8 x 15 HA	10	8	125	463	315	926	319	158	102	1465	471	531	1669	1166	A
10 x 8 x 15 HA	10	8	150	463	315	926	319	158	102	1596	547	607	1799	1447	A
10 x 8 x 15 HA	10	8	200	463	315	926	319	158	102	1596	547	607	1799	1507	A
10 x 8 x 15 HA	10	8	250	463	315	926	319	158	102	1614	547	607	1817	on request	A
10 x 8 x 15 HA	10	8	300	463	315	926	319	158	102	1614	547	607	1817	on request	A
10 x 8 x 17 HA	10	8	125	465	330	946	316	163	102	1481	551	611	1684	1049	A
10 x 8 x 17 HA	10	8	150	465	330	946	316	163	102	1611	551	611	1815	1328	A
10 x 8 x 17 HA	10	8	200	465	330	946	316	163	102	1611	551	611	1815	1388	A
10 x 8 x 17 HA	10	8	250	465	330	946	316	163	102	1629	551	611	1832	on request	A
10 x 8 x 17 HA	10	8	300	465	330	946	316	163	102	1629	551	611	1832	on request	A
10 x 8 x 17 HA	10	8	350	465	330	946	316	163	102	1839	551	611	2042	on request	A
10 x 8 x 18 HA	10	8	200	463	350	961	313	158	102	1596	547	607	1799	1677	A
10 x 8 x 18 HA	10	8	250	463	350	961	313	158	102	1614	547	607	1817	on request	A
10 x 8 x 18 HA	10	8	300	463	350	961	313	158	102	1614	547	607	1817	on request	A
10 x 8 x 18 HA	10	8	350	463	350	961	313	158	102	1823	534	594	2027	on request	A
10 x 8 x 18 HA	10	8	400	463	350	961	313	158	102	1823	534	594	2027	on request	A
10 x 8 x 18 HA	10	8	500	464	350	961	313	109	137	10	16	54	on request	on request	A
10 x 8 x 22 HA	10	8	350	546	395	1118	366	248	102	1994	601	671	2197	on request	A
10 x 8 x 22 HA	10	8	400	546	395	1118	366	248	102	1994	601	671	2197	on request	A
10 x 8 x 22 HA	10	8	500	546	395	1118	366	132	181	12	20	69	on request	on request	A
10 x 8 x 22 HA	10	8	600	546	395	1118	366	132	181	12	20	69	on request	on request	A
10 x 8 x 22 HA	10	8	700	546	395	1118	366	132	181	12	20	69	on request	on request	A
10 x 8 x 22 HA	10	8	800	546	395	1118	366	132	181	12	20	69	on request	on request	A

- Dimensions are subject to change
- Not be used for construction purposes unless certified.

Pumps with axially split housing

Single pumps (heating, air-conditioning, cooling and industry)



Dimensions, weights Wilo-SCP

Dimensions, weights of pump set (SI units) - 4 pole motors

Wilo-SCP...	Nominal diameter		Power consumption P ₂	Motor housing	Number of poles	Nominal speed n	Rated voltage U	Dimensions								
	DN S	DN D						a	L	I	L ₁	L ₂	L ₃	L ₄	LM	LP
	[inch]	[inch]	[hp]	[-]	[-]	[rpm]	[V]	[mm]								
10 x 10 x 9-1/2 HA	10	10	50	326T	4	1775	230/460	13	1654	630	396	473	370	260	772	869
10 x 10 x 9-1/2 HA	10	10	60	364T	4	1775	230/460	13	1721	630	396	473	370	260	839	869
10 x 10 x 9-1/2 HA	10	10	75	365T	4	1780	230/460	13	1721	630	396	473	370	260	839	869
12 x 8 x 14 HB	12	8	100	404T	4	1775	230/460	13	2002	820	484	560	470	350	945	1044
12 x 8 x 14 HB	12	8	125	405T	4	1775	460	13	2181	820	484	560	470	350	1124	1044
12 x 8 x 14 HB	12	8	150	444T	4	1780	460	13	2181	820	484	560	470	350	1124	1044
12 x 8 x 14 HB	12	8	200	445T	4	1780	460	13	2181	820	484	560	470	350	1124	1044
12 x 10 x 14 HA	12	10	200	445T	4	1780	460	13	2264	897	505	622	517	380	1124	1128
12 x 10 x 14 HA	12	10	250	445T	4	1780	460	5	2345	897	505	622	517	380	1213	1128
12 x 10 x 14 HA	12	10	300	445T	4	1780	460	5	2489	897	505	622	517	380	1356	1128
12 x 10 x 14 HA	12	10	350	449T	4	1780	460	5	2489	897	505	622	517	380	1356	1128
12 x 10 x 15 HA	12	10	250	445T	4	1780	460	5	2345	897	505	622	517	380	1213	1128
12 x 10 x 15 HA	12	10	300	445T	4	1780	460	5	2489	897	505	622	517	380	1356	1128
12 x 10 x 15 HA	12	10	350	449T	4	1780	460	5	2489	897	505	622	517	380	1356	1128
12 x 10 x 15 HA	12	10	400	449T	4	1780	460	5	2489	897	505	622	517	380	1356	1128
12 x 10 x 15 HA	12	10	500	on request	4	1760	on request	on request	on request	on request	485	623	517	380	on request	on request
12 x 10 x 17-1/2 HA	12	10	300	445T	4	1780	460	5	2648	990	594	693	533	457	1356	1287
12 x 10 x 17-1/2 HA	12	10	350	449T	4	1780	460	5	2648	990	594	693	533	457	1356	1287
12 x 10 x 17-1/2 HA	12	10	400	449T	4	1780	460	5	2648	990	594	693	533	457	1356	1287
12 x 10 x 17-1/2 HA	12	10	500	on request	4	1760	on request	on request	on request	on request	594	693	534	457	on request	on request
12 x 10 x 17-1/2 HA	12	10	600	on request	4	1760	on request	on request	on request	on request	594	693	534	457	on request	on request
12 x 10 x 22 HA	12	10	500	on request	4	1760	on request	on request	on request	on request	594	693	584	492	on request	on request
12 x 10 x 22 HA	12	10	600	on request	4	1760	on request	on request	on request	on request	594	693	584	492	on request	on request
12 x 10 x 22 HA	12	10	700	on request	4	1760	on request	on request	on request	on request	594	693	584	492	on request	on request
12 x 10 x 22 HA	12	10	800	on request	4	1760	on request	on request	on request	on request	594	693	584	492	on request	on request
14 x 12 x 13 HB	14	12	150	444T	4	1780	460	13	2264	940	505	622	550	390	1124	1128
14 x 12 x 13 HB	14	12	200	445T	4	1780	460	13	2264	940	505	622	550	390	1124	1128
14 x 12 x 13 HB	14	12	250	445T	4	1780	460	5	2345	940	505	622	550	390	1213	1128
14 x 12 x 13 HB	14	12	300	445T	4	1780	460	5	2489	940	505	622	550	390	1356	1128
14 x 12 x 15 HA	14	12	250	445T	4	1780	460	5	2355	949	525	612	559	390	1213	1137
14 x 12 x 15 HA	14	12	300	445T	4	1780	460	5	2498	949	525	612	559	390	1356	1137
14 x 12 x 15 HA	14	12	350	449T	4	1780	460	5	2498	949	525	612	559	390	1356	1137
14 x 12 x 15 HA	14	12	400	449T	4	1780	460	5	2498	949	525	612	559	390	1356	1137
14 x 12 x 15 HA	14	12	500	on request	4	1760	on request	on request	on request	on request	525	612	559	391	on request	on request
14 x 12 x 19 HA	14	12	350	449T	4	1780	460	5	2648	1067	594	693	584	482	1356	1287
14 x 12 x 19 HA	14	12	400	449T	4	1780	460	5	2648	1067	594	693	584	482	1356	1287
14 x 12 x 19 HA	14	12	500	on request	4	1760	on request	on request	on request	on request	594	693	585	483	on request	on request
14 x 12 x 19 HA	14	12	600	on request	4	1760	on request	on request	on request	on request	594	693	585	483	on request	on request
14 x 12 x 19 HA	14	12	700	on request	4	1760	on request	on request	on request	on request	594	693	585	483	on request	on request
14 x 12 x 19 HA	14	12	800	on request	4	1760	on request	on request	on request	on request	594	693	585	483	on request	on request
14 x 12 x 22 HA	14	12	500	on request	4	1760	on request	on request	on request	on request	594	693	629	534	on request	on request
14 x 12 x 22 HA	14	12	600	on request	4	1760	on request	on request	on request	on request	594	693	629	534	on request	on request
14 x 12 x 22 HA	14	12	700	on request	4	1760	on request	on request	on request	on request	594	693	629	534	on request	on request
14 x 12 x 22 HA	14	12	800	on request	4	1760	on request	on request	on request	on request	594	693	629	534	on request	on request

- Dimensions are subject to change
- Not to be used for construction purposes unless certified.

Pumps with axially split housing

Single pumps (heating, air-conditioning, cooling and industry)



Dimensions, weights Wilo-SCP

Dimensions, weights of pump set (SI units) - 4 pole motors

Wilo-SCP...	Nominal diameter		Power consumption	Dimensions										Weight	Dimension drawing
	DN S	DN D		P ₂	H ₁	H ₂	HP	Ht	S ₁	S ₂	S ₃	S ₄	S ₅		
	[inch]		[hp]	[mm]										[kg]	-
10 x 10 x 9-1/2 HA	10	10	50	410	265	818	331	158	102	1187	363	423	1390	608	A
10 x 10 x 9-1/2 HA	10	10	60	410	265	818	331	158	102	1225	401	461	1429	691	A
10 x 10 x 9-1/2 HA	10	10	75	410	265	818	331	158	102	1225	401	461	1429	758	A
12 x 8 x 14 HB	12	8	100	450	320	917	321	158	102	1413	481	541	1617	946	A
12 x 8 x 14 HB	12	8	125	450	320	917	321	158	102	1413	481	541	1617	1043	A
12 x 8 x 14 HB	12	8	150	450	320	917	321	158	102	1544	547	607	1747	1323	A
12 x 8 x 14 HB	12	8	200	450	320	917	321	158	102	1544	547	607	1747	1383	A
12 x 10 x 14 HA	12	10	200	540	340	1027	367	208	102	1656	547	607	1859	1495	A
12 x 10 x 14 HA	12	10	250	540	340	1027	367	208	102	1674	547	607	1877	on request	A
12 x 10 x 14 HA	12	10	300	540	340	1027	367	208	102	1674	547	607	1877	on request	A
12 x 10 x 14 HA	12	10	350	540	340	1027	367	208	102	1884	534	594	2087	on request	A
12 x 10 x 15 HA	12	10	250	540	340	1027	367	208	102	1674	547	607	1877	on request	A
12 x 10 x 15 HA	12	10	300	540	340	1027	367	208	102	1674	547	607	1877	on request	A
12 x 10 x 15 HA	12	10	350	540	340	1027	367	208	102	1884	534	594	2087	on request	A
12 x 10 x 15 HA	12	10	400	540	340	1027	367	208	102	1884	534	594	2087	on request	A
12 x 10 x 15 HA	12	10	500	540	340	1027	367	109	138	10	16	54	on request	on request	A
12 x 10 x 17-1/2 HA	12	10	300	546	380	1102	379	248	102	1785	601	671	1988	on request	A
12 x 10 x 17-1/2 HA	12	10	350	546	380	1102	379	248	102	1994	601	671	2197	on request	A
12 x 10 x 17-1/2 HA	12	10	400	546	380	1102	379	248	102	1994	601	671	2197	on request	A
12 x 10 x 17-1/2 HA	12	10	500	546	380	1102	379	132	156	12	20	69	on request	on request	A
12 x 10 x 17-1/2 HA	12	10	600	546	380	1102	379	132	156	12	20	69	on request	on request	A
12 x 10 x 22 HA	12	10	500	546	415	1138	367	132	156	12	20	69	on request	on request	A
12 x 10 x 22 HA	12	10	600	546	415	1138	367	132	156	12	20	69	on request	on request	A
12 x 10 x 22 HA	12	10	700	546	415	1138	367	132	156	12	20	69	on request	on request	A
12 x 10 x 22 HA	12	10	800	546	415	1138	367	132	156	12	20	69	on request	on request	A
14 x 12 x 13 HB	14	12	200	540	320	1011	381	208	102	1656	547	607	1859	1558	A
14 x 12 x 13 HB	14	12	250	540	320	1011	381	208	102	1674	547	607	1877	on request	A
14 x 12 x 13 HB	14	12	300	540	320	1011	381	208	102	1674	547	607	1877	on request	A
14 x 12 x 15 HA	14	12	250	546	375	1069	377	208	102	1664	547	607	1867	on request	A
14 x 12 x 15 HA	14	12	300	546	375	1069	377	208	102	1664	547	607	1867	on request	A
14 x 12 x 15 HA	14	12	350	546	375	1069	377	208	102	1873	534	594	2076	on request	A
14 x 12 x 15 HA	14	12	400	546	375	1069	377	208	102	1873	534	594	2076	on request	A
14 x 12 x 15 HA	14	12	500	546	375	1069	377	109	138	10	16	54	on request	on request	A
14 x 12 x 19 HA	14	12	350	590	405	1172	424	273	102	2019	601	671	2222	on request	A
14 x 12 x 19 HA	14	12	400	590	405	1172	424	273	102	2019	601	671	2222	on request	A
14 x 12 x 19 HA	14	12	500	591	405	1172	424	132	156	12	20	69	on request	on request	A
14 x 12 x 19 HA	14	12	600	591	405	1172	424	132	156	12	20	69	on request	on request	A
14 x 12 x 19 HA	14	12	700	591	405	1172	424	132	156	12	20	69	on request	on request	A
14 x 12 x 19 HA	14	12	800	591	405	1172	424	132	156	12	20	69	on request	on request	A
14 x 12 x 22 HA	14	12	500	591	440	1206	389	132	156	12	20	69	on request	on request	A
14 x 12 x 22 HA	14	12	600	591	440	1206	389	132	156	12	20	69	on request	on request	A
14 x 12 x 22 HA	14	12	700	591	440	1206	389	132	156	12	20	69	on request	on request	A
14 x 12 x 22 HA	14	12	800	591	440	1206	389	132	156	12	20	69	on request	on request	A

- Dimensions are subject to change
- Not be used for construction purposes unless certified.

Pumps with axially split housing

Single pumps (heating, air-conditioning, cooling and industry)



Dimensions, weights Wilo-SCP

Dimensions, weights of pump set (SI units) - 4 pole motors

Wilo-SCP...	Nominal diameter		Power consumption P ₂	Motor housing	Number of poles	Nominal speed n	Rated voltage U	Dimensions									
	DN S	DN D						-				a	L	I	L ₁	L ₂	L ₃
	[inch]		[hp]	[-]	-	[rpm]	[V]	[mm]									
14 x 12 x 26 DV	14	12	500	on request	4	1760	on request	on request	on request	on request	on request	651	830	661	610	on request	on request
14 x 12 x 26 DV	14	12	600	on request	4	1760	on request	on request	on request	on request	on request	651	830	661	610	on request	on request
14 x 12 x 26 DV	14	12	700	on request	4	1760	on request	on request	on request	on request	on request	651	830	661	610	on request	on request
14 x 12 x 26 DV	14	12	800	on request	4	1760	on request	on request	on request	on request	on request	651	830	661	610	on request	on request
14 x 12 x 26 DV	14	12	900	on request	4	1760	on request	on request	on request	on request	on request	651	830	661	610	on request	on request
14 x 12 x 26 DV	14	12	1000	on request	4	1760	on request	on request	on request	on request	on request	651	830	661	610	on request	on request
16 x 12 x 15-1/2 HA	16	12	300	445T	4	1780	460	5	2585	900	556	667	550	350	1356	1224	
16 x 12 x 15-1/2 HA	16	12	350	449T	4	1780	460	5	2585	900	556	667	550	350	1356	1224	
16 x 12 x 15-1/2 HA	16	12	400	449T	4	1780	460	5	2585	900	556	667	550	350	1356	1224	
16 x 12 x 15-1/2 HA	16	12	500	on request	4	1760	on request	on request	on request	on request	on request	536	668	550	350	on request	on request
18 x 14 x 19 HA	18	14	500	on request	4	1760	on request	on request	on request	on request	on request	565	693	625	530	on request	on request
18 x 14 x 19 HA	18	14	600	on request	4	1760	on request	on request	on request	on request	on request	565	693	625	530	on request	on request
18 x 14 x 19 HA	18	14	700	on request	4	1760	on request	on request	on request	on request	on request	565	693	625	530	on request	on request
18 x 14 x 19 HA	18	14	800	on request	4	1760	on request	on request	on request	on request	on request	565	693	625	530	on request	on request

- Dimensions are subject to change
- Not to be used for construction purposes unless certified.

Dimensions, weights Wilo-SCP

Dimensions, weights of pump set (SI units) - 4 pole motors

Wilo-SCP...	Nominal diameter		Power consumption P ₂	Dimensions										Weight	Dimension drawing
	DN S	DN D		H ₁	H ₂	HP	Ht	S ₁	S ₂	S ₃	S ₄	S ₅	SL	M	-
	[inch]		[hp]	[mm]										[kg]	-
14 x 12 x 26 DV	14	12	500	725	465	1367	457	146	178	14	25	89	on request	on request	A
14 x 12 x 26 DV	14	12	600	725	465	1367	457	146	178	14	25	89	on request	on request	A
14 x 12 x 26 DV	14	12	700	725	465	1367	457	146	178	14	25	89	on request	on request	A
14 x 12 x 26 DV	14	12	800	725	465	1367	457	146	178	14	25	89	on request	on request	A
14 x 12 x 26 DV	14	12	900	725	465	1367	457	146	178	14	25	89	on request	on request	A
14 x 12 x 26 DV	14	12	1000	725	465	1367	457	146	178	14	25	89	on request	on request	A
16 x 12 x 15-1/2 HA	16	12	300	610	390	1151	411	233	102	1744	547	607	1947	on request	A
16 x 12 x 15-1/2 HA	16	12	350	610	390	1151	411	233	102	1954	534	594	2157	on request	A
16 x 12 x 15-1/2 HA	16	12	400	610	390	1151	411	233	102	1954	534	594	2157	on request	A
16 x 12 x 15-1/2 HA	16	12	500	610	390	1151	411	109	138	10	16	54	on request	on request	A
18 x 14 x 19 HA	18	14	500	660	425	1261	476	130	141	12	20	69	on request	on request	A
18 x 14 x 19 HA	18	14	600	660	425	1261	476	130	141	12	20	69	on request	on request	A
18 x 14 x 19 HA	18	14	700	660	425	1261	476	130	141	12	20	69	on request	on request	A
18 x 14 x 19 HA	18	14	800	660	425	1261	476	130	141	12	20	69	on request	on request	A

- Dimensions are subject to change
- Not to be used for construction purposes unless certified.

Pumps with axially split housing

Single pumps (heating, air-conditioning, cooling and industry)



Dimensions, weights Wilo-SCP

Dimensions, weights of pump set (SI units) – 6 pole motors

Wilo-SCP...	Nominal diameter		Power consumption P ₂	Motor housing	Number of poles	Nominal speed n	Rated voltage U	Dimensions								
	DN S	DN D						-		n	U	a	L	I	L ₁	L ₂
	[inch]	[inch]	[hp]	[-]	-	[rpm]	[V]					[mm]				
12 x 10 x 27-1/2 DV	12	10	150	on request	6	1120	on request	on request	on request	on request	704	825	635	559	on request	on request
12 x 10 x 27-1/2 DV	12	10	200	on request	6	1120	on request	on request	on request	on request	704	825	635	559	on request	on request
12 x 10 x 27-1/2 DV	12	10	250	on request	6	1120	on request	on request	on request	on request	704	825	635	559	on request	on request
12 x 10 x 27-1/2 DV	12	10	300	on request	6	1120	on request	on request	on request	on request	704	825	635	559	on request	on request
12 x 10 x 27-1/2 DV	12	10	350	on request	6	1120	on request	on request	on request	on request	704	825	635	559	on request	on request
12 x 10 x 27-1/2 DV	12	10	400	on request	6	1120	on request	on request	on request	on request	704	825	635	559	on request	on request
12 x 10 x 27-1/2 DV	12	10	500	on request	6	1120	on request	on request	on request	on request	704	825	635	559	on request	on request
12 x 10 x 29-1/2 DV	12	10	300	on request	6	1120	on request	on request	on request	on request	704	825	635	559	on request	on request
12 x 10 x 29-1/2 DV	12	10	350	on request	6	1120	on request	on request	on request	on request	704	825	635	559	on request	on request
12 x 10 x 29-1/2 DV	12	10	400	on request	6	1120	on request	on request	on request	on request	704	825	635	559	on request	on request
12 x 10 x 29-1/2 DV	12	10	500	on request	6	1120	on request	on request	on request	on request	704	825	635	559	on request	on request
18 x 14 x 19-1/2 HA	18	14	200	445T	6	1185	460	13	2719	1318	624	726	768	550	1356	1350
18 x 14 x 19-1/2 HA	18	14	250	on request	6	1120	on request	on request	on request	on request	595	726	768	550	on request	on request
18 x 14 x 19-1/2 HA	18	14	300	on request	6	1120	on request	on request	on request	on request	595	726	768	550	on request	on request
18 x 14 x 19-1/2 HA	18	14	350	on request	6	1120	on request	on request	on request	on request	595	726	768	550	on request	on request
18 x 14 x 19-1/2 HA	18	14	400	on request	6	1120	on request	on request	on request	on request	595	726	768	550	on request	on request
18 x 16 x 28 HA	18	16	500	on request	6	1120	on request	on request	on request	on request	704	825	864	762	on request	on request
18 x 16 x 28 HA	18	16	600	on request	6	1120	on request	on request	on request	on request	704	825	864	762	on request	on request
18 x 16 x 28 HA	18	16	700	on request	6	1120	on request	on request	on request	on request	704	825	864	762	on request	on request
18 x 16 x 28 HA	18	16	800	on request	6	1120	on request	on request	on request	on request	704	825	864	762	on request	on request
18 x 16 x 28 HA	18	16	900	on request	6	1120	on request	on request	on request	on request	704	825	864	762	on request	on request
20 x 16 x 18-1/2 HA	20	16	200	445T	6	1185	460	13	2742	1335	630	743	790	545	1356	1373
20 x 16 x 18-1/2 HA	20	16	250	on request	6	1120	on request	on request	on request	on request	602	743	790	545	on request	on request
20 x 16 x 18-1/2 HA	20	16	300	on request	6	1120	on request	on request	on request	on request	602	743	790	545	on request	on request
20 x 16 x 18-1/2 HA	20	16	350	on request	6	1120	on request	on request	on request	on request	602	743	790	545	on request	on request
20 x 16 x 18-1/2 HA	20	16	400	on request	6	1120	on request	on request	on request	on request	602	743	790	545	on request	on request
20 x 16 x 21 HA	20	16	200	445T	6	1185	460	13	2458	1067	654	785	635	432	1006	1439
20 x 16 x 21 HA	20	16	250	on request	6	1120	on request	on request	on request	on request	625	785	635	432	on request	on request
20 x 16 x 21 HA	20	16	300	on request	6	1120	on request	on request	on request	on request	625	785	635	432	on request	on request
20 x 16 x 21 HA	20	16	350	on request	6	1120	on request	on request	on request	on request	625	785	635	432	on request	on request
20 x 16 x 21 HA	20	16	400	on request	6	1120	on request	on request	on request	on request	625	785	635	432	on request	on request
20 x 16 x 21 HA	20	16	500	on request	6	1120	on request	on request	on request	on request	625	785	635	432	on request	on request
20 x 16 x 21 HA	20	16	600	on request	6	1120	on request	on request	on request	on request	625	785	635	432	on request	on request
20 x 16 x 21-1/2 HA	20	16	300	on request	6	1120	on request	on request	on request	on request	667	830	760	560	on request	on request
20 x 16 x 21-1/2 HA	20	16	350	on request	6	1120	on request	on request	on request	on request	667	830	760	560	on request	on request
20 x 16 x 21-1/2 HA	20	16	400	on request	6	1120	on request	on request	on request	on request	667	830	760	560	on request	on request
20 x 16 x 21-1/2 HA	20	16	500	on request	6	1120	on request	on request	on request	on request	667	830	760	560	on request	on request
20 x 16 x 21-1/2 HA	20	16	600	on request	6	1120	on request	on request	on request	on request	667	830	760	560	on request	on request

- Dimensions are subject to change
- Not be used for construction purposes unless certified.

Pumps with axially split housing

Single pumps (heating, air-conditioning, cooling and industry)



Dimensions, weights Wilo-SCP

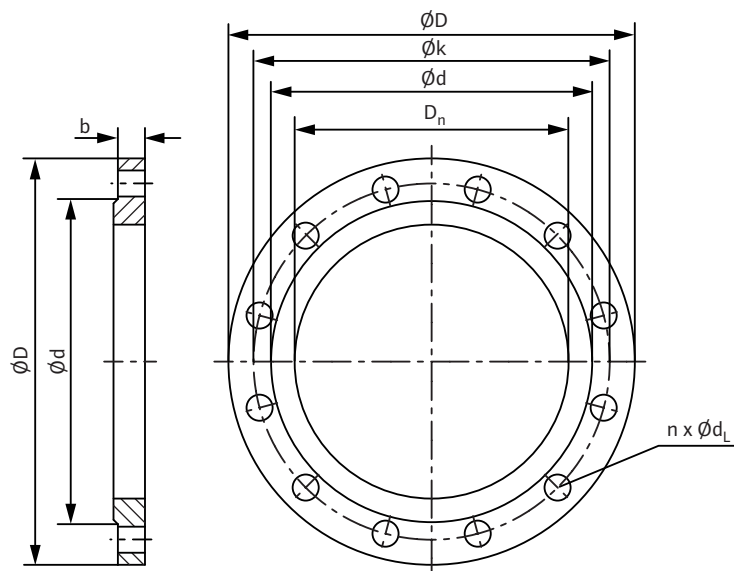
Dimensions, weights of pump set (SI units) - 6 pole motors

Wilo-SCP...	Nominal diameter		Power consumption P ₂	Dimensions										Weight M	Dimension drawing -
	DN S	DN D		H ₁	H ₂	HP	Ht	S ₁	S ₂	S ₃	S ₄	S ₅	SL		
	[inch]		[hp]	[mm]										[kg]	-
12 x 10 x 27-1/2 DV	12	10	150	622	476	1275	393	146	168	14	22	79	on request	on request	A
12 x 10 x 27-1/2 DV	12	10	200	622	476	1275	393	146	168	14	22	79	on request	on request	A
12 x 10 x 27-1/2 DV	12	10	250	622	476	1275	393	146	168	14	22	79	on request	on request	A
12 x 10 x 27-1/2 DV	12	10	300	622	476	1275	393	146	168	14	22	79	on request	on request	A
12 x 10 x 27-1/2 DV	12	10	350	622	476	1275	393	146	168	14	22	79	on request	on request	A
12 x 10 x 27-1/2 DV	12	10	400	622	476	1275	393	146	168	14	22	79	on request	on request	A
12 x 10 x 27-1/2 DV	12	10	500	622	476	1275	393	146	168	14	22	79	on request	on request	A
12 x 10 x 29-1/2 DV	12	10	300	622	476	1275	393	146	168	14	22	79	on request	on request	A
12 x 10 x 29-1/2 DV	12	10	350	622	476	1275	393	146	168	14	22	79	on request	on request	A
12 x 10 x 29-1/2 DV	12	10	400	622	476	1275	393	146	168	14	22	79	on request	on request	A
12 x 10 x 29-1/2 DV	12	10	500	622	476	1275	393	146	168	14	22	79	on request	on request	A
18 x 14 x 19-1/2 HA	18	14	200	730	480	1387	462	313	102	1865	771	841	2068	2145	A
18 x 14 x 19-1/2 HA	18	14	250	730	480	1387	462	130	141	12	20	69	on request	on request	A
18 x 14 x 19-1/2 HA	18	14	300	730	480	1387	462	130	141	12	20	69	on request	on request	A
18 x 14 x 19-1/2 HA	18	14	350	730	480	1387	462	130	141	12	20	69	on request	on request	A
18 x 14 x 19-1/2 HA	18	14	400	730	480	1387	462	130	141	12	20	69	on request	on request	A
18 x 16 x 28 HA	18	16	500	800	580	1562	461	146	168	14	22	79	on request	on request	A
18 x 16 x 28 HA	18	16	600	800	580	1562	461	146	168	14	22	79	on request	on request	A
18 x 16 x 28 HA	18	16	700	800	580	1562	461	146	168	14	22	79	on request	on request	A
18 x 16 x 28 HA	18	16	800	800	580	1562	461	146	168	14	22	79	on request	on request	A
18 x 16 x 28 HA	18	16	900	800	580	1562	461	146	168	14	22	79	on request	on request	A
20 x 16 x 18-1/2 HA	20	16	200	780	520	1477	512	423	102	1992	791	861	2195	2194	A
20 x 16 x 18-1/2 HA	20	16	250	780	520	1477	512	130	141	12	20	69	on request	on request	A
20 x 16 x 18-1/2 HA	20	16	300	780	520	1477	512	130	141	12	20	69	on request	on request	A
20 x 16 x 18-1/2 HA	20	16	350	780	520	1477	512	130	141	12	20	69	on request	on request	A
20 x 16 x 18-1/2 HA	20	16	400	780	520	1477	512	130	141	12	20	69	on request	on request	A
20 x 16 x 21 HA	20	16	200	440	490	1458	540	290	250	1777	910	978	2277	2391	A
20 x 16 x 21 HA	20	16	250	440	490	1458	540	132	160	12	20	69	on request	on request	A
20 x 16 x 21 HA	20	16	300	440	490	1458	540	132	160	12	20	69	on request	on request	A
20 x 16 x 21 HA	20	16	350	440	490	1458	540	132	160	12	20	69	on request	on request	A
20 x 16 x 21 HA	20	16	400	440	490	1458	540	132	160	12	20	69	on request	on request	A
20 x 16 x 21 HA	20	16	500	440	490	1458	540	132	160	12	20	69	on request	on request	A
20 x 16 x 21 HA	20	16	600	440	490	1458	540	132	160	12	20	69	on request	on request	A
20 x 16 x 21-1/2 HA	20	16	300	780	495	1458	493	146	178	14	22	79	on request	on request	A
20 x 16 x 21-1/2 HA	20	16	350	780	495	1458	493	146	178	14	22	79	on request	on request	A
20 x 16 x 21-1/2 HA	20	16	400	780	495	1458	493	146	178	14	22	79	on request	on request	A
20 x 16 x 21-1/2 HA	20	16	500	780	495	1458	493	146	178	14	22	79	on request	on request	A
20 x 16 x 21-1/2 HA	20	16	600	780	495	1458	493	146	178	14	22	79	on request	on request	A

- Dimensions are subject to change
- Not be used for construction purposes unless certified.

Dimensions, weights Wilo-SCP

Dimension drawing Flange



Flange dimensions (suction side)

Wilo-SCP...	Pump flange dimensions					
D _n , 125#	Ø D ₁	Ø d ₁	Ø k ₁	b ₁	n ₁	Ø d _{L1}
	[In.]				[-]	[In.]
2 ¹ / ₂	7	4 ¹ / ₈	5 ¹ / ₂	7 ⁷ / ₈	4	3 ³ / ₄
3	7 ¹ / ₂	5 ¹ / ₂	6	1 ¹⁵ / ₁₆	4	3 ³ / ₄
4	9	6 ³ / ₁₆	7 ¹ / ₂	1 ¹⁵ / ₁₆	8	3 ³ / ₄
5	10	7 ⁵ / ₁₆	8 ¹ / ₂	1 ¹⁵ / ₁₆	8	7 ⁷ / ₈
6	11	8 ¹ / ₂	9 ¹ / ₂	1	8	7 ⁷ / ₈
8	13 ¹ / ₂	10 ⁵ / ₈	11 ³ / ₄	1 ¹ / ₈	8	7 ⁷ / ₈
10	16	12 ³ / ₄	14 ¹ / ₄	1 ³ / ₁₆	12	1
12	19	15	17	1 ¹ / ₄	12	1
14	21	16 ¹ / ₄	18 ³ / ₄	1 ³ / ₈	12	1 ¹ / ₈
16	23 ¹ / ₂	18 ¹ / ₂	21 ¹ / ₄	1 ⁷ / ₁₆	16	1 ¹ / ₈
18	25	21	22 ³ / ₄	1 ⁹ / ₁₆	16	1 ¹ / ₄
20	27 ¹ / ₂	23	25	1 ¹¹ / ₁₆	20	1 ¹ / ₄

Flange dimensions (discharge)

Wilo-SCP...	Pump flange dimensions					
D _n , 125#	Ø D ₂	Ø d ₂	Ø k ₂	b ₂	n ₂	Ø d _{L2}
	[In.]				-	[In.]
2	6	3 ⁵ / ₈	4 ³ / ₄	3 ³ / ₄	4	3 ³ / ₄
2 ¹ / ₂	7	4 ¹ / ₈	5 ¹ / ₂	7 ⁷ / ₈	4	3 ³ / ₄

Pumps with axially split housing

Single pumps (heating, air-conditioning, cooling and industry)



Dimensions, weights Wilo-SCP

Flange dimensions (discharge)

Wilo-SCP...	Pump flange dimensions					
D _n , 125#	∅ D ₂	∅ d ₂	∅ k ₂	b ₂	n ₂	∅ d _{L2}
	[in.]				–	[in.]
3	7 ¹ / ₂	5 ¹ / ₂	6	1 ⁵ / ₁₆	4	3 ³ / ₄
4	9	6 ³ / ₁₆	7 ¹ / ₂	1 ⁵ / ₁₆	8	3 ³ / ₄
5	10	7 ⁵ / ₁₆	8 ¹ / ₂	1 ⁵ / ₁₆	8	7 ⁷ / ₈
6	11	8 ¹ / ₂	9 ¹ / ₂	1	8	7 ⁷ / ₈
8	13 ¹ / ₂	10 ⁵ / ₈	11 ³ / ₄	1 ¹ / ₈	8	7 ⁷ / ₈
10	16	12 ³ / ₄	14 ¹ / ₄	1 ¹³ / ₁₆	12	1
12	19	15	17	1 ¹ / ₄	12	1
14	21	16 ¹ / ₄	18 ³ / ₄	1 ³ / ₈	12	1 ¹ / ₈
16	23 ¹ / ₂	18 ¹ / ₂	21 ¹ / ₄	1 ⁷ / ₁₆	16	1 ¹ / ₈

Flange dimensions (suction side)

Wilo-SCP...	Pump flange dimensions					
D _n , 125#	∅ D ₁	∅ d ₁	∅ k ₁	b ₁	n ₁	∅ d _{L1}
	[mm]				–	[mm]
2 ¹ / ₂	177,8	104,8	139,7	22,23	4	19,05
3	190,5	139,7	152,4	23,81	4	19,05
4	228,6	157,2	190,5	23,81	8	19,05
5	254	185,7	215,9	23,81	8	22,23
6	279,4	215,9	241,3	25,4	8	22,23
8	342,9	269,9	298,45	28,57	8	22,23
10	406,4	323,9	361,95	30,16	12	25,4
12	482,6	381	431,8	31,75	12	25,4
14	533,4	412,8	476,25	34,92	12	28,57
16	596,9	469,9	539,75	36,51	16	28,57
18	635	533,4	577,85	39,69	16	31,75
20	698,5	584,2	635	42,86	20	31,75

Flange dimensions (discharge)

Wilo-SCP...	Pump flange dimensions					
D _n , 125#	∅ D ₂	∅ d ₂	∅ k ₂	b ₂	n ₂	∅ d _{L2}
	[mm]				–	[mm]
2	152,4	92,08	120,65	19,05	4	19,05
2 ¹ / ₂	177,8	104,8	139,7	22,23	4	19,05
3	190,5	139,7	152,4	23,81	4	19,05
4	228,6	157,2	190,5	23,81	8	19,05
5	254	185,7	215,9	23,81	8	22,23
6	279,4	215,9	241,3	25,4	8	22,23
8	342,9	269,9	298,45	28,57	8	22,23
10	406,4	323,9	361,95	30,16	12	25,4
12	482,6	381	431,8	31,75	12	25,4
14	533,4	412,8	476,25	34,92	12	28,57
16	596,9	469,9	539,75	36,51	16	28,57