

# Submittal Data Sheet

## Wilco Helix - Vertical Multistage Pumps

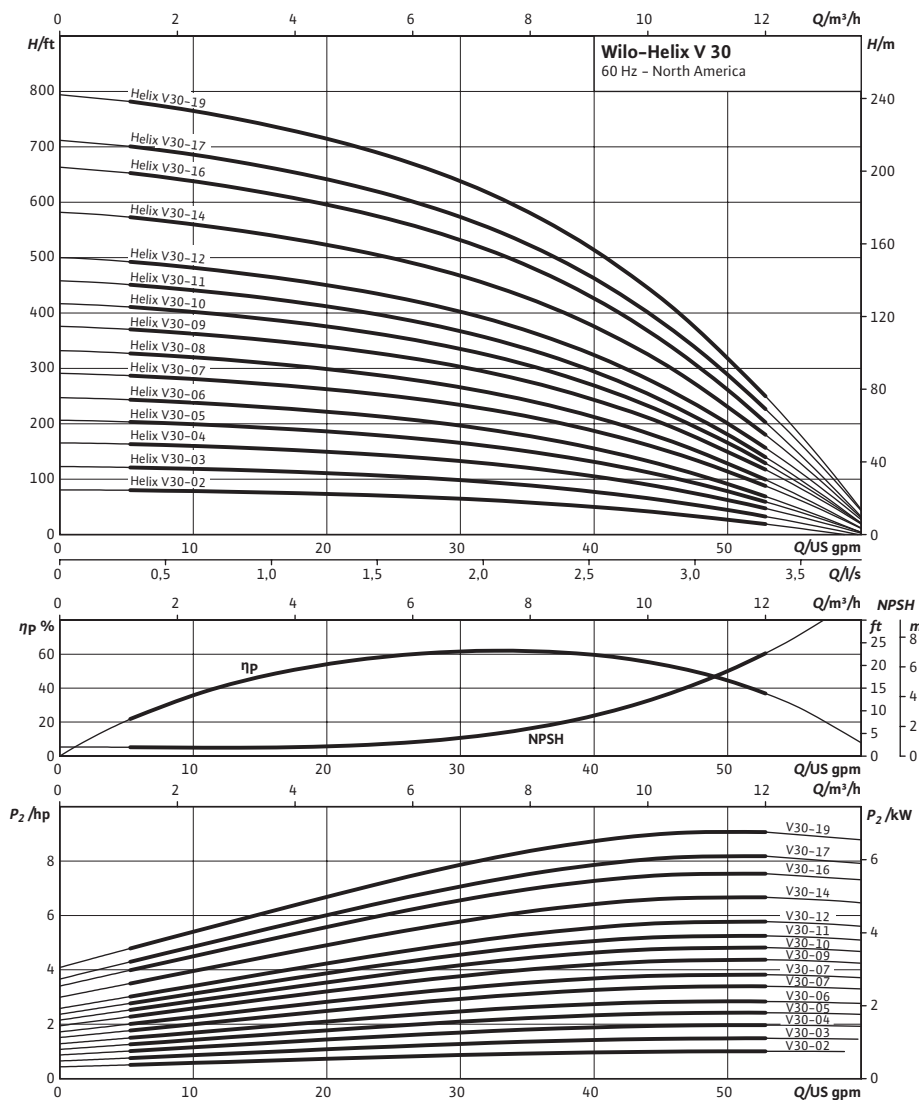


### Wilco Helix V 30 (304 SS - EPDM)



Project:	
Engineer:	
Contractor:	
Submitted By:	Date:
Approved By:	Date:

Tag #	Model #	Flow	Head	HP	Cycle	Phase	Voltage	RPM
					60HZ			



Applications	
• Water supply & pressure boosting	• Industrial circulation systems
• Cooling water circulation systems	• Process water
• Washing systems	• Irrigation

Materials of Construction	
Pump volute, flanges, impeller, stage housing, diffusers	Stainless steel AISI 304
Shaft	Stainless steel AISI 304 or AISI 316LN (Depending on version)
Shaft sleeve	Stainless Steel AISI 316L
Baseplate & lantern	Cast Iron Cataphoresis Coated ASTM A 48 Class 35/40
O-ring	EPDM (FKM upon request)
Jacket pipe	Stainless Steel AISI 304

Technical Data	
Certification	NSF 61 Approved (EPDM)
Liquid Temp Range	-4°F to +248°F
Power Supply	3- 208-230v, 3- 460v, 3- 575v
Ambient temperature	+5°F to +104°F
Flange Connection	ANSI CLASS 300
Max Operating Pressure	232/363 PSI
Protection Class	IP 55

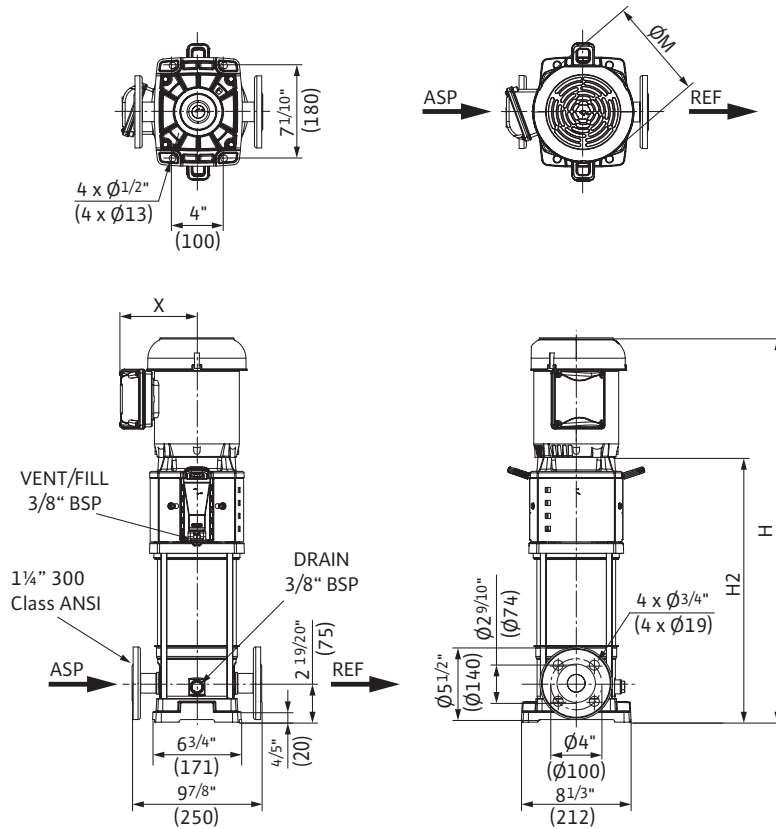
Approval Stamp

# Submittal Data Sheet

## Wilo Helix – Vertical Multistage Pumps



### Dimensions, Weights & Electrical Data



#### Dimensions and Weights

Model	H		H <sub>2</sub>		Ø M		X		Weight	
	in	mm	in	(mm)	in	(mm)	in	(mm)	lbs	kg
Helix V 30-2	26 <sup>3</sup> / <sub>16</sub>	665	17	432	6 <sup>11</sup> / <sub>16</sub>	170	9	229	70	31.75
Helix V 30-3	29 <sup>11</sup> / <sub>16</sub>	754	19	483	7 <sup>5</sup> / <sub>8</sub>	194	10	254	85	38.56
Helix V 30-4	31 <sup>15</sup> / <sub>16</sub>	811	20	508	7 <sup>5</sup> / <sub>8</sub>	194	10	254	91	41.28
Helix V 30-5	34 <sup>5</sup> / <sub>8</sub>	879	22	559	7 <sup>3</sup> / <sub>8</sub>	187	10	254	99	44.91
Helix V 30-6	36 <sup>1</sup> / <sub>16</sub>	916	23	584	7 <sup>3</sup> / <sub>8</sub>	187	10	254	101	45.81
Helix V 30-7	42 <sup>1</sup> / <sub>4</sub>	1073	26	660	9 <sup>7</sup> / <sub>16</sub>	240	11	279	133	60.33
Helix V 30-8	43 <sup>11</sup> / <sub>16</sub>	1110	27	686	9 <sup>7</sup> / <sub>16</sub>	240	11	279	142	64.41
Helix V 30-9	45 <sup>3</sup> / <sub>16</sub>	1148	29	737	9 <sup>7</sup> / <sub>16</sub>	240	11	279	144	65.32
Helix V 30-10	46 <sup>5</sup> / <sub>8</sub>	1184	30	762	9 <sup>7</sup> / <sub>16</sub>	240	11	279	146	66.22
Helix V 30-11	49 <sup>9</sup> / <sub>16</sub>	1259	33	838	9 <sup>7</sup> / <sub>16</sub>	240	11	279	149	67.59
Helix V 30-12	56 <sup>1</sup> / <sub>4</sub>	1429	37	940	10 <sup>15</sup> / <sub>16</sub>	278	13	330	206	93.44
Helix V 30-14	59 <sup>3</sup> / <sub>16</sub>	1503	40	1016	10 <sup>15</sup> / <sub>16</sub>	278	13	330	230	104.33
Helix V 30-16	62 <sup>1</sup> / <sub>8</sub>	1578	43	1092	10 <sup>15</sup> / <sub>16</sub>	278	13	330	234	106.14
Helix V 30-17	66 <sup>11</sup> / <sub>16</sub>	1694	46	1168	10 <sup>15</sup> / <sub>16</sub>	278	13	330	265	120.2
Helix V 30-19	69 <sup>5</sup> / <sub>8</sub>	1768	49	1245	10 <sup>15</sup> / <sub>16</sub>	278	13	330	269	122.02

#### TEFC Motor Data

P2	Phase	208-230/460 V		575 V
		FLA	FLA	FLA
[HP]	[-]	[A]	[A]	[A]
1	3	3.32-3/1.5		1.2
1.5	3	4.14-3.74/1.87		1.5
2	3	5.46-4.94/2.47		1.98
3	3	7.76-7.02/3.51		2.81
3	3	7.76-7.02/3.51		2.81
5	3	13.1-11.8/5.9		4.72
5	3	13.1-11.8/5.9		4.72
5	3	13.1-11.8/5.9		4.72
5	3	13.1-11.8/5.9		4.72
7.5	3	19.2-17.3/8.67		6.94
7.5	3	19.2-17.3/8.67		6.94
7.5	3	19.2-17.3/8.67		6.94
10	3	25.4-23/11.5		9.2
10	3	25.4-23/11.5		9.2