

Submittal Data Sheet

Wilco Helix - Vertical Multistage Pumps

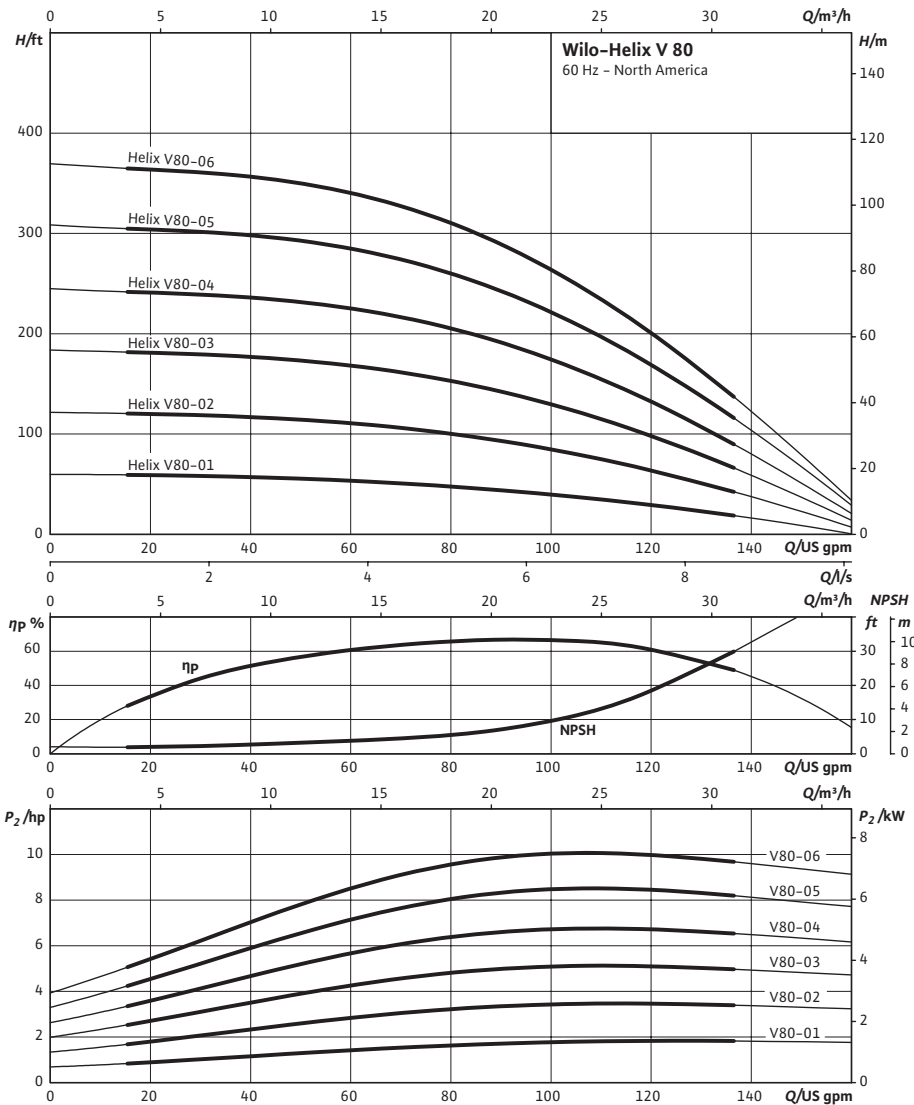


Wilco Helix V 80 (304 SS - EPDM)



Project:	
Engineer:	
Contractor:	
Submitted By:	Date:
Approved By:	Date:

Tag #	Model #	Flow	Head	HP	Cycle	Phase	Voltage	RPM
					60HZ			



Applications	
• Water supply & pressure boosting	• Industrial circulation systems
• Cooling water circulation systems	• Process water
• Washing systems	• Irrigation

Materials of Construction	
Pump volute, flanges, impeller, stage housing, diffusers	Stainless steel AISI 304
Shaft	Stainless steel AISI 304 or AISI 316LN (Depending on version)
Shaft sleeve	Stainless Steel AISI 316L
Baseplate & lantern	Cast Iron Cataphoresis Coated ASTM A 48 Class 35/40
O-ring	EPDM (FKM upon request)
Jacket pipe	Stainless Steel AISI 304

Technical Data	
Certification	NSF 61 Approved (EPDM)
Liquid Temp Range	-4°F to +248°F
Power Supply	3- 208-230v, 3- 460v, 3- 575v
Ambient temperature	+5°F to +104°F
Flange Connection	ANSI CLASS 300
Max Operating Pressure	232/363 PSI
Protection Class	IP 55

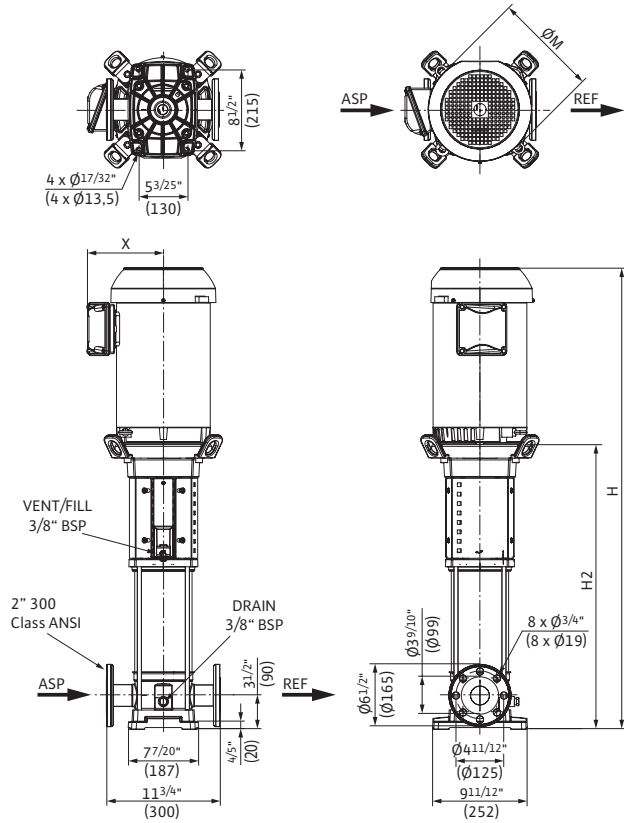
Approval Stamp

Submittal Data Sheet

Wilo Helix – Vertical Multistage Pumps



Dimensions, Weights & Electrical Data



Dimensions and Weights

Model	H		H ₂		Ø M		X		Weight	
	in	mm	in	(mm)	in	(mm)	in	(mm)	lbs	kg
Helix V 80-1	30 1/4	768	18	457	7 5/8	194	10	254	93	42.18
Helix V 80-2	36 1/16	916	19	483	9 7/16	240	11	279	133	60.33
Helix V 80-3	38	965	21	533	9 7/16	240	11	279	135	61.23
Helix V 80-4	46 5/8	1184	28	711	10 15/16	278	13	330	221	100.24
Helix V 80-5	50 3/16	1275	30	762	10 15/16	278	13	330	251	113.85
Helix V 80-6	52 1/8	1324	32	813	10 15/16	278	13	330	254	115.21

TEFC Motor Data

P2	Phase	208-230/460 V		575 V
		FLA	FLA	FLA
[HP]	[~]	[A]		[A]
2	3	5.46-4.94/2.47		1.98
5	3	13.1-11.8/5.9		4.72
5	3	13.1-11.8/5.9		4.72
7.5	3	19.2-17.3/8.67		6.94
10	3	25.4-23/11.5		9.2
10	3	25.4-23/11.5		9.2