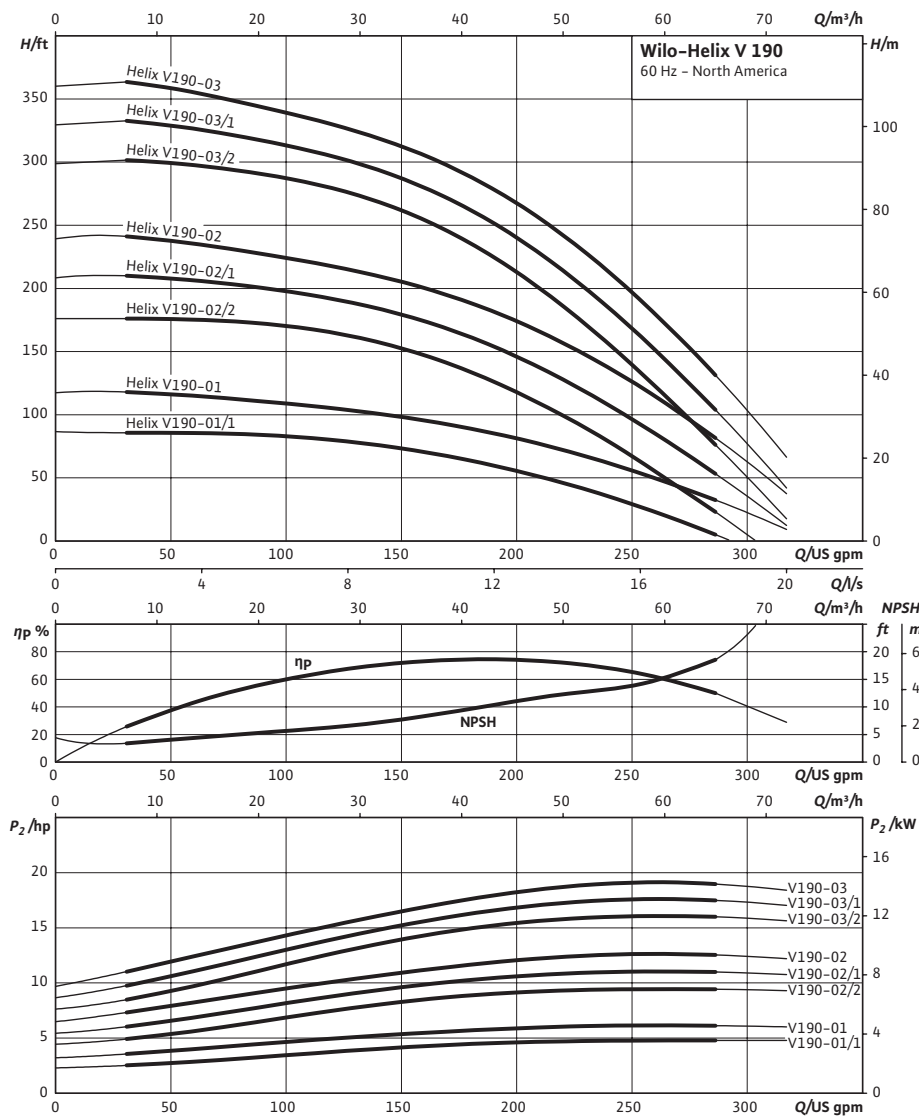


# Submittal Data Sheet

## Wilco Helix - Vertical Multistage Pumps



Wilco Helix V 190 (304 SS - EPDM)								
		Project:						
		Engineer:						
		Contractor:						
		Submitted By:				Date:		
		Approved By:				Date:		
Tag #	Model #	Flow	Head	HP	Cycle	Phase	Voltage	RPM
					60HZ			



Applications	
• Water supply & pressure boosting	• Industrial circulation systems
• Cooling water circulation systems	• Process water
• Washing systems	• Irrigation

Materials of Construction	
Pump Volute	Stainless steel AISI 304
Impeller, Housing, Diffusers	Stainless steel AISI 304L
Shaft	Stainless steel AISI 431
Shaft Sleeve	Stainless steel AISI 316L
Baseplate & Lantern	Cast iron cataphoresis coated ASTM A 48 Class 35/40
Flanges	Cast iron cataphoresis, coated Grey Cast Iron ASTM A 48 Class 35/40
O-ring	EPDM (FKM gasket upon request)
Jacket Pipe	Stainless steel AISI 304

Technical Data	
Certification	NSF 61 Approved (EPDM)
Liquid Temp Range	-4°F to +248°F
Power Supply	3- 208-230v, 3- 460v, 3- 575v
Ambient temperature	+5°F to +104°F
Flange Connection	ANSI CLASS 300
Max Operating Pressure	232/363 PSI
Protection Class	IP 55

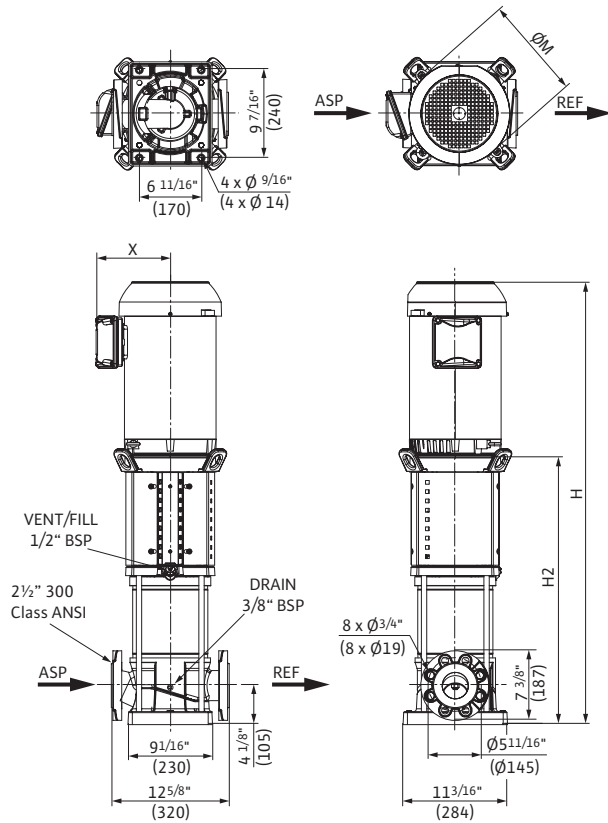
Approval Stamp

# Submittal Data Sheet

## Wilo Helix – Vertical Multistage Pumps



### Dimensions, Weights & Electrical Data



Dimensions and Weights											
Model	H		H <sub>2</sub>		Ø M		X		Weight		
	in	mm	in	mm	in	mm	in	mm	lbs	kg	
Helix V 190-01/1	35 <sup>13/16</sup>	910	19	483	9 <sup>7/16</sup>	240	11	279	204	92.53	
Helix V 190-01	44	1118	24	610	10 <sup>15/16</sup>	278	13	330	315	142.88	
Helix V 190-02/2	46 <sup>5/8</sup>	1184	26	660	10 <sup>15/16</sup>	278	13	330	322	146.06	
Helix V 190-02/1	48 <sup>3/4</sup>	1238	26	660	13 <sup>3/16</sup>	335	16	406	332	150.59	
Helix V 190-02	48 <sup>3/4</sup>	1238	26	660	13 <sup>3/16</sup>	335	16	406	332	150.59	
Helix V 190-03/2	52 <sup>3/16</sup>	1326	29	737	13 <sup>3/16</sup>	335	16	406	383	173.73	
Helix V 190-03/1	52 <sup>3/16</sup>	1326	29	737	13 <sup>3/16</sup>	335	16	406	383	173.73	
Helix V 190-03	52 <sup>3/16</sup>	1326	29	737	13 <sup>3/16</sup>	335	16	406	383	173.73	

TEFC Motor Data				
P2	Phase	208-230/460 V		575 V
		FLA	FLA	FLA
[HP]	[-]	[A]	[A]	[A]
5	3	13.1-11.8/5.9	4.72	
10	3	25.4-23/11.5	9.2	
10	3	25.4-23/11.5	9.2	
15	3	38.5-34.8/17.4	13.8	
15	3	38.5-34.8/17.4	13.8	
20	3	50.2-45.4/22.7	18.2	
20	3	50.2-45.4/22.7	18.2	
20	3	50.2-45.4/22.7	18.2	