

Submittal Data Sheet

Wilo Stratos D - High Efficiency Circulators

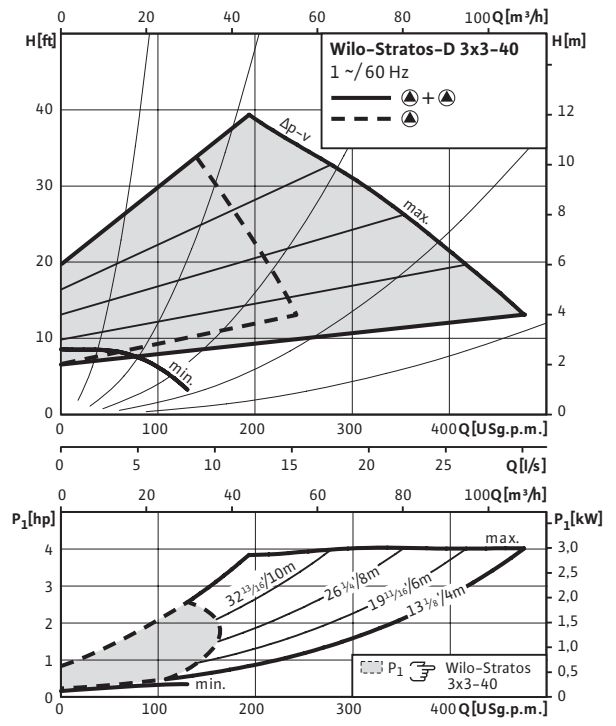
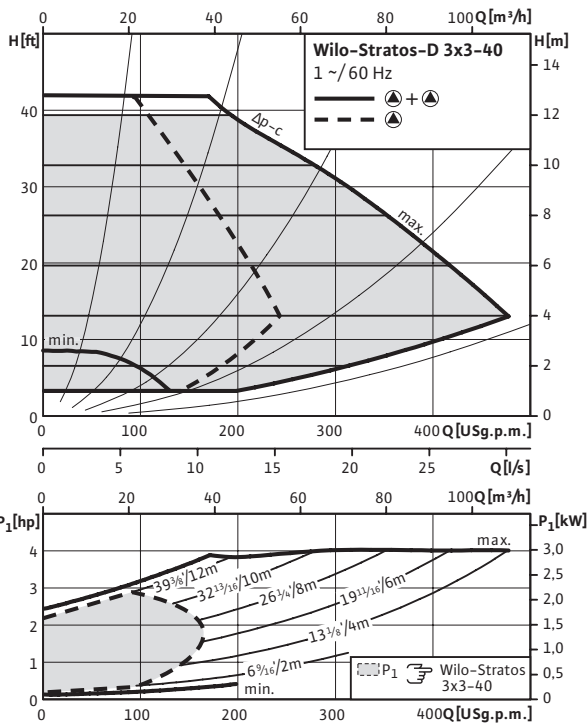


Stratos D 3x3-40



Project:	
Engineer:	
Contractor:	
Submitted By:	Date:
Approved By:	Date:

Tag #	Model #	Flow	Head	Control Mode	Cycle	Phase	Voltage
	Stratos D 3x3-40				60Hz	1	230V



Technical Data

Liquid Temp Range	14°F to 230°F (-10°C to 110°C)
Max Temperature	104°F (40°C)
Min. Suction Pressure (122°F)	10 PSI
Min. Suction Pressure (203°F)	21.3 PSI
Min. Suction Pressure (230°F)	32.7 PSI

Materials of Construction

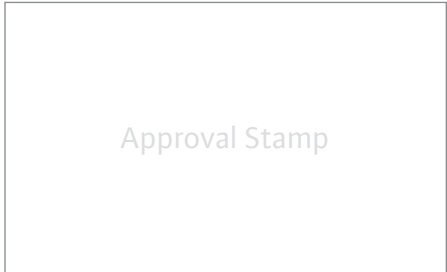
Pump Volute	Cast Iron (EN-GJL-250) Cataphoresis Coated
Impeller	Composite (PPS-40% GF)
Shaft	Stainless Steel (X46Cr13)
Bearing	Metal Impregnated Carbon

IR Module Selection

Module 1	Module 2	Module
		BACnet / Dual Pump
		LONworks / Dual Pump
		SBM Run Signal / Ext. Off / Dual Pump
		SBM Run Signal / 0-10v / Dual Pump
		Ext. Min / 0-10v / Dual Pump
		Ext. Off / 0-10v / Dual Pump
		None

Applications

- Heating Systems
- Cooling Circuits
- Air Conditioning
- Industrial Circulation
- Solar Systems
- Geothermal Systems

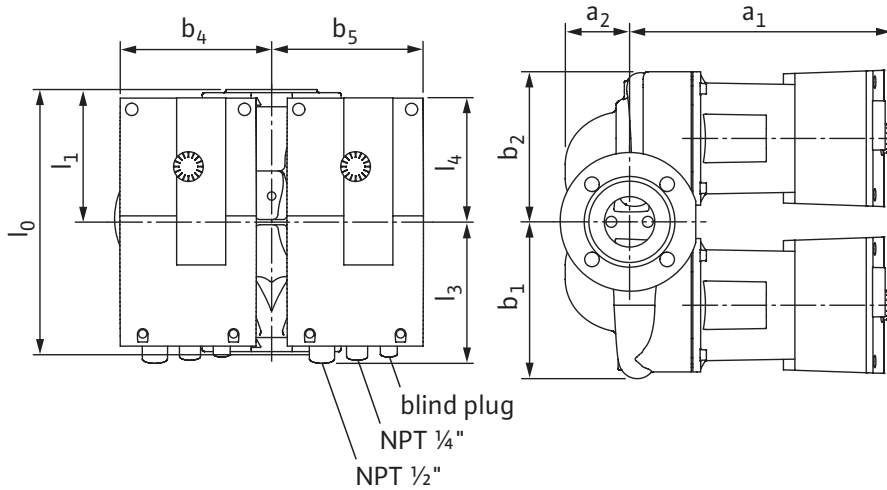


Submittal Data Sheet

Wilo Stratos D - High Efficiency Circulators



Dimensions & Weights

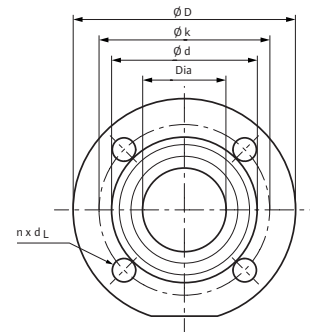


Dimensions and Weights

Model	Dimensions - Inches (mm)				Weight - lbs (kg)
	b ₁	b ₂	b ₄	b ₅	
Stratos D 3x3-40	9 ¹ / ₄	8 ¹¹ / ₁₆	8	8	41.9
	(235)	(221)	(203)	(203)	(19)

Flange Dimensions

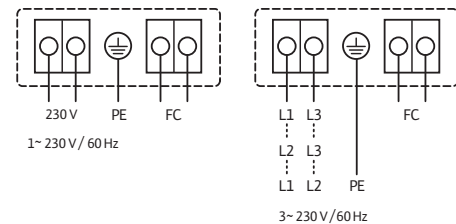
Dia.	Dimensions - Inches (mm)			
	∅D	∅d	∅k	n x d _L
3"	7 ⁹ / ₁₆	5 ¹ / ₁₆	6	4 x ∅ 3/4
	(192)	(128)	(152)	(4 x ∅ 19)



ECM Motor Data (Single Motor Operation)

Model	hp	Speed	Watts	FLA
		RPM	W	1~230V
Stratos D 3x3-40	1.743	900 - 3300	40-1550	0.32-6.80

*NOTE: Three phase connections are subject to local electrical codes



WILO USA LLC

Tel: (866) 945-6872 Web: www.wilo-usa.com
 Fax: (708) 338-9455 Email: info@wilo-usa.com

WILO Canada Inc.

Tel: (866) 945-6236 Web: www.wilo-canada.com
 Fax: (403) 277-9456 Email: info@wilo-canada.com

WILO Mexico

Tel: +52 55 5586 3209 Web: www.wilo-mexico.com.mx
 Fax: +52 1 55 5413 4165 Email: info@wilo.com.mx