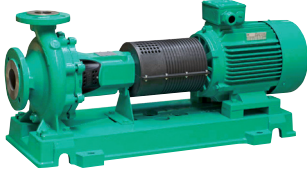


# Submittal Data Sheet

## Wilo NL - Base Mounted End Suction Pumps

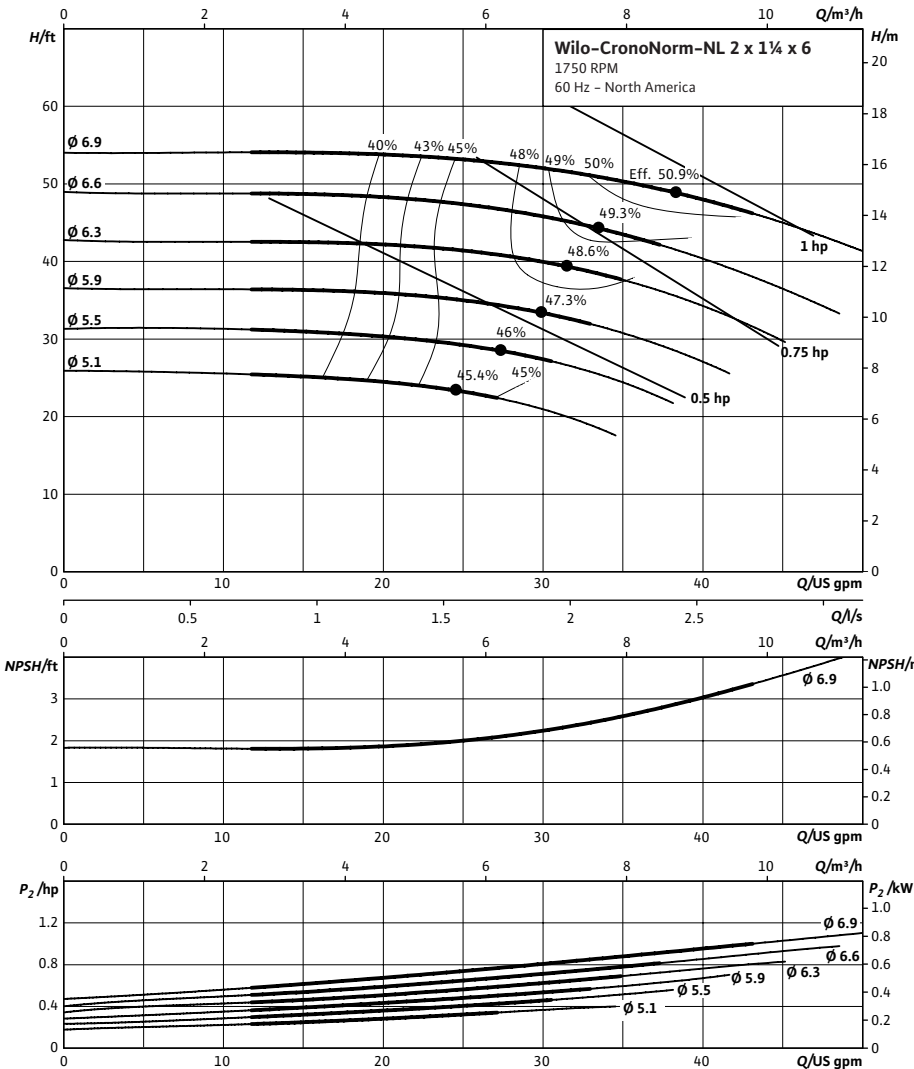


### NL 2 x 1 1/4 x 6



|               |  |  |  |  |  |  |       |  |  |  |
|---------------|--|--|--|--|--|--|-------|--|--|--|
| Project:      |  |  |  |  |  |  |       |  |  |  |
| Engineer:     |  |  |  |  |  |  |       |  |  |  |
| Contractor:   |  |  |  |  |  |  |       |  |  |  |
| Submitted By: |  |  |  |  |  |  | Date: |  |  |  |
| Approved By:  |  |  |  |  |  |  | Date: |  |  |  |

| Tag # | Model #          | Flow (USGPM) | Head (Feet) | HP | Enclosure TEFC/ODP | Frame | Cycle | Phase | Voltage | RPM  |
|-------|------------------|--------------|-------------|----|--------------------|-------|-------|-------|---------|------|
|       | NL 2 x 1 1/4 x 6 |              |             |    |                    |       | 60Hz  | 3     |         | 1750 |



#### Technical Data

**Approved Fluids**

- Heating Water
- Cooling and cold water
- Water-Glycol mixtures (for 20-40% glycol and fluid temp ≤ 104°F (40°C))

**Fluid Temperature**

- Mechanical Seal: 18°F to 250°F (-8°C to 120°C)
- Stuffing Box Packing: 32°F to 220°F (0°C to 105°C)

#### Materials of Construction

|   |                                  |
|---|----------------------------------|
| <input type="checkbox"/> Pump Housing               | C.I. FG260                       |
| <input type="checkbox"/> Impeller                   | Bronze LG2                       |
| <input type="checkbox"/> Impeller (optional)        | C.I. FG260                       |
| <input type="checkbox"/> Pump Shaft                 | SS AISI 420                      |
| <input type="checkbox"/> Mechanical Seal            | Carbon/silicon carbide/EPDM (E1) |
| <input type="checkbox"/> Other Mechanical Seals     | Avail. on request                |
| <input type="checkbox"/> Additional Spacer Coupling | Avail. on request                |
| <input type="checkbox"/> Other:                     |                                  |

Approval Stamp

# Submittal Data Sheet

Wilo NL - Base Mounted End Suction Pumps



## Dimensions & Weights

### Wilo NL



### NL 2 x 1¼ x 6

Dimensions - Inches (mm)

| Frame | a            | A            | L              | L1             | L2            | L3             | L4             | L5             | X           | HD            | H2            | H3            | H4             | Hb           | B2             | B3             | B4             | n | S1            | S4             |
|-------|--------------|--------------|----------------|----------------|---------------|----------------|----------------|----------------|-------------|---------------|---------------|---------------|----------------|--------------|----------------|----------------|----------------|---|---------------|----------------|
| 56    | 3.13<br>(80) | 2.63<br>(67) | 31.19<br>(793) | 32.81<br>(833) | 5.88<br>(149) | 21.00<br>(533) | 33.38<br>(848) | 14.38<br>(365) | .50<br>(13) | 6.81<br>(173) | 6.31<br>(160) | 7.56<br>(192) | 13.88<br>(353) | 2.38<br>(60) | 14.88<br>(378) | 13.13<br>(334) | 10.94<br>(279) | 4 | 6.44<br>(164) | .88<br>(22.35) |
| 143T  | 3.13<br>(80) | 2.63<br>(67) | 33.38<br>(848) | 32.81<br>(833) | 5.88<br>(149) | 21.00<br>(533) | 33.38<br>(848) | 16.50<br>(419) | .50<br>(13) | 6.81<br>(173) | 6.31<br>(160) | 7.56<br>(192) | 13.88<br>(353) | 2.38<br>(60) | 14.88<br>(378) | 13.13<br>(334) | 10.94<br>(279) | 4 | 6.44<br>(164) | .88<br>(22.35) |

### Flange Dimensions - Suction Side

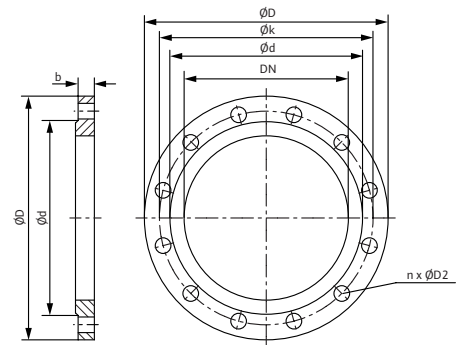
Dimensions - Inches (mm)

| DN S #125 | ØD         | Ød           | Øk            | b           | n | D2          |
|-----------|------------|--------------|---------------|-------------|---|-------------|
| 2         | 6<br>(152) | 3.63<br>(92) | 4.75<br>(121) | .75<br>(19) | 4 | .75<br>(19) |

### Flange Dimensions - Discharge Side

Dimensions - Inches (mm)

| DN D 125# | ØD            | Ød           | Øk           | b           | n | D2          |
|-----------|---------------|--------------|--------------|-------------|---|-------------|
| 1¼        | 4.63<br>(118) | 2.50<br>(64) | 3.50<br>(89) | .63<br>(16) | 4 | .63<br>(16) |



WILO USA LLC

Tel: (866) 945-6872 Web: [www.wilo-usa.com](http://www.wilo-usa.com)  
 Fax: (708) 338-9455 Email: [info@wilo-usa.com](mailto:info@wilo-usa.com)

WILO Canada Inc.

Tel: (866) 945-6236 Web: [www.wilo-canada.com](http://www.wilo-canada.com)  
 Fax: (403) 277-9456 Email: [info@wilo-canada.com](mailto:info@wilo-canada.com)

WILO Mexico

Tel: +52 55 5586 3209 Web: [www.wilo-mexico.com.mx](http://www.wilo-mexico.com.mx)  
 Fax: +52 1 55 5413 4165 Email: [info@wilo.com.mx](mailto:info@wilo.com.mx)