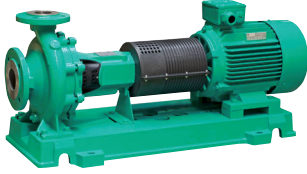


Submittal Data Sheet

Wilo NL - Base Mounted End Suction Pumps

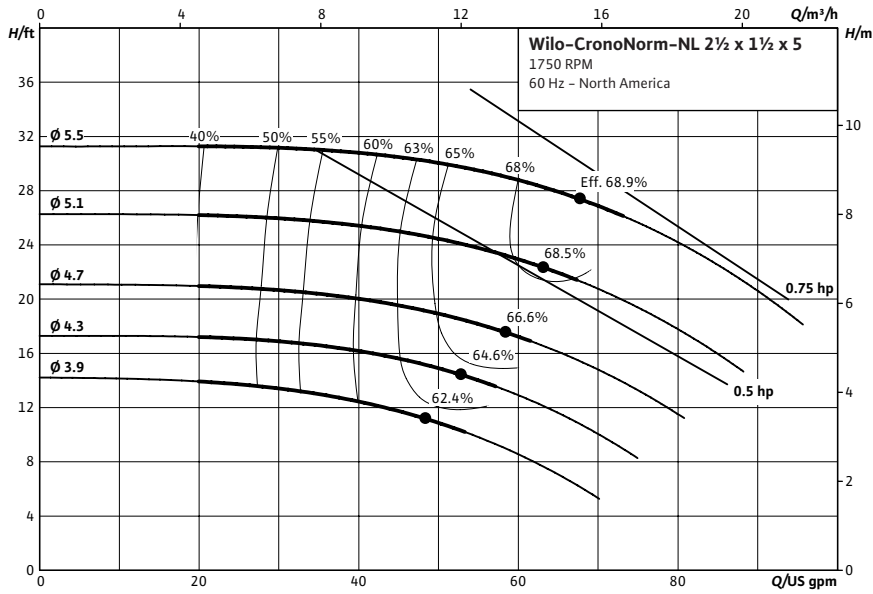


NL 2½ x 1½ x 5



| | | | | | | | | | | |
|---------------|--|--|--|--|-------|--|--|--|--|--|
| Project: | | | | | | | | | | |
| Engineer: | | | | | | | | | | |
| Contractor: | | | | | | | | | | |
| Submitted By: | | | | | Date: | | | | | |
| Approved By: | | | | | Date: | | | | | |

| Tag # | Model # | Flow (USGPM) | Head (Feet) | HP | Enclosure TEFC/ODP | Frame | Cycle | Phase | Voltage | RPM |
|-------|----------------|--------------|-------------|----|--------------------|-------|-------|-------|---------|------|
| | NL 2½ x 1½ x 5 | | | | | | 60Hz | 3 | | 1750 |



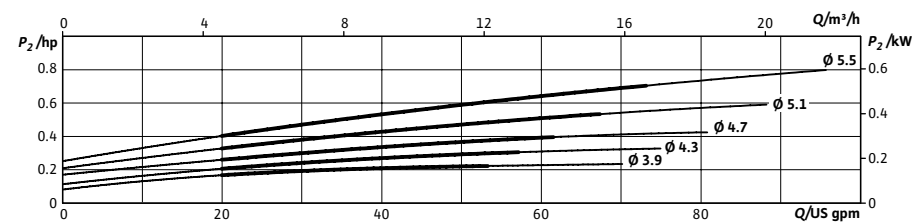
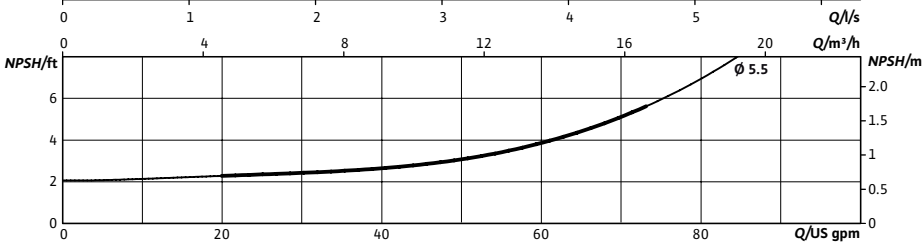
Technical Data

Approved Fluids
 Heating Water
 Cooling and cold water
 Water-Glycol mixtures (for 20-40% glycol and fluid temp ≤ 104°F (40°C))

Fluid Temperature
 Mechanical Seal: 18°F to 250°F (-8°C to 120°C)
 Stuffing Box Packing: 32°F to 220°F (0°C to 105°C)

Materials of Construction

| | |
|---|----------------------------------|
| <input type="checkbox"/> Pump Housing | C.I. FG260 |
| <input type="checkbox"/> Impeller | Bronze LG2 |
| <input type="checkbox"/> Impeller (optional) | C.I. FG260 |
| <input type="checkbox"/> Pump Shaft | SS AISI 420 |
| <input type="checkbox"/> Mechanical Seal | Carbon/silicon carbide/EPDM (E1) |
| <input type="checkbox"/> Other Mechanical Seals | Avail. on request |
| <input type="checkbox"/> Additional Spacer Coupling | Avail. on request |
| <input type="checkbox"/> Other: | |



Approval Stamp

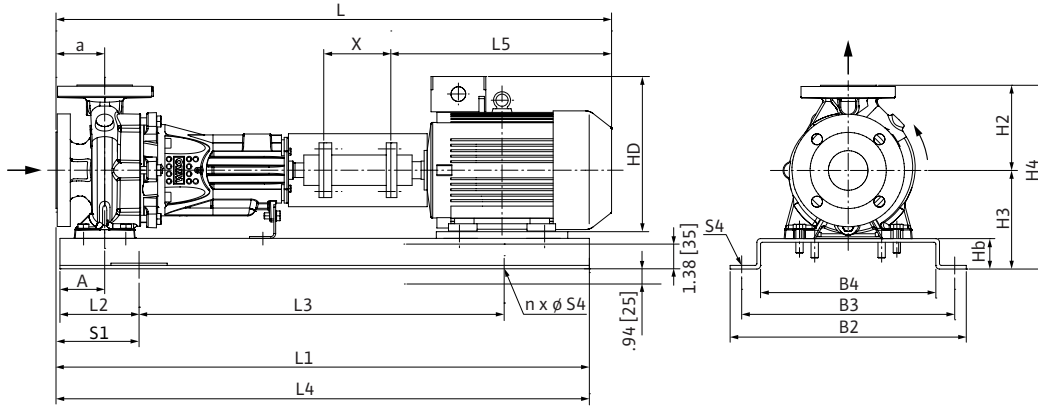
Submittal Data Sheet

Wilo NL - Base Mounted End Suction Pumps



Dimensions & Weights

Wilo NL



NL 2½x 1½ x 5

Dimensions - Inches (mm)

| Frame | a | A | L | L1 | L2 | L3 | L4 | L5 | X | HD | H2 | H3 | H4 | Hb | B2 | B3 | B4 | n | S1 | S4 |
|-------|--------------|--------------|----------------|----------------|---------------|----------------|----------------|----------------|------------|---------------|---------------|---------------|----------------|--------------|----------------|----------------|----------------|---|---------------|-------------|
| 56 | 3.13 (80) | 2.63 (67) | 33.31 (846) | 32.81 (833) | 5.94 (151) | 21.00 (533) | 33.38 (848) | 15.50 (394) | .5 (13) | 6.81 (173) | 5.50 (140) | 6.75 (171) | 12.25 (311) | 2.38 (60) | 14.88 (378) | 13.13 (334) | 10.94 (278) | 4 | 6.06 (154) | .88 (22) |
| 143T | 3.13 (80) | 2.63 (67) | 33.38 (848) | 32.81 (833) | 5.94 (151) | 21.00 (533) | 33.38 (848) | 15.56 (395) | .5 (13) | 6.81 (173) | 5.50 (140) | 6.75 (171) | 12.25 (311) | 2.38 (60) | 14.88 (378) | 13.13 (334) | 10.94 (278) | 4 | 6.06 (154) | .88 (22) |

Flange Dimensions - Suction Side

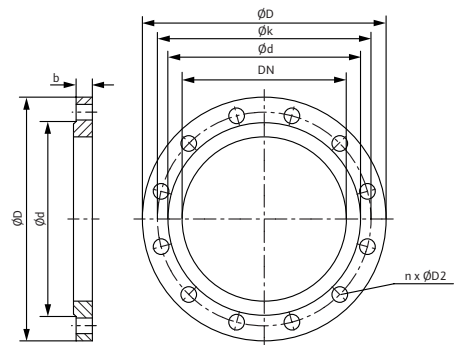
Dimensions - Inches (mm)

| DN S #125 | ØD | Ød | Øk | b | n | D2 |
|-----------|---------------|---------------|---------------|-------------|---|-------------|
| 2½ | 7.00 (178) | 4.13 (105) | 5.50 (140) | .88 (22) | 4 | .75 (19) |

Flange Dimensions - Discharge Side

Dimensions - Inches (mm)

| DN D 125# | ØD | Ød | Øk | b | n | D2 |
|-----------|---------------|--------------|--------------|-------------|---|-------------|
| 1½ | 5.00 (127) | 2.88 (73) | 3.88 (99) | .69 (17) | 4 | .63 (16) |



WILO USA LLC

Tel: (866) 945-6872 Web: www.wilo-usa.com
 Fax: (708) 338-9455 Email: info@wilo-usa.com

WILO Canada Inc.

Tel: (866) 945-6236 Web: www.wilo-canada.com
 Fax: (403) 277-9456 Email: info@wilo-canada.com

WILO Mexico

Tel: +52 55 5586 3209 Web: www.wilo-mexico.com.mx
 Fax: +52 1 55 5413 4165 Email: info@wilo.com.mx