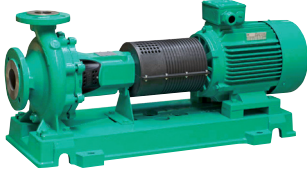


Submittal Data Sheet

Wilo NL - Base Mounted End Suction Pumps

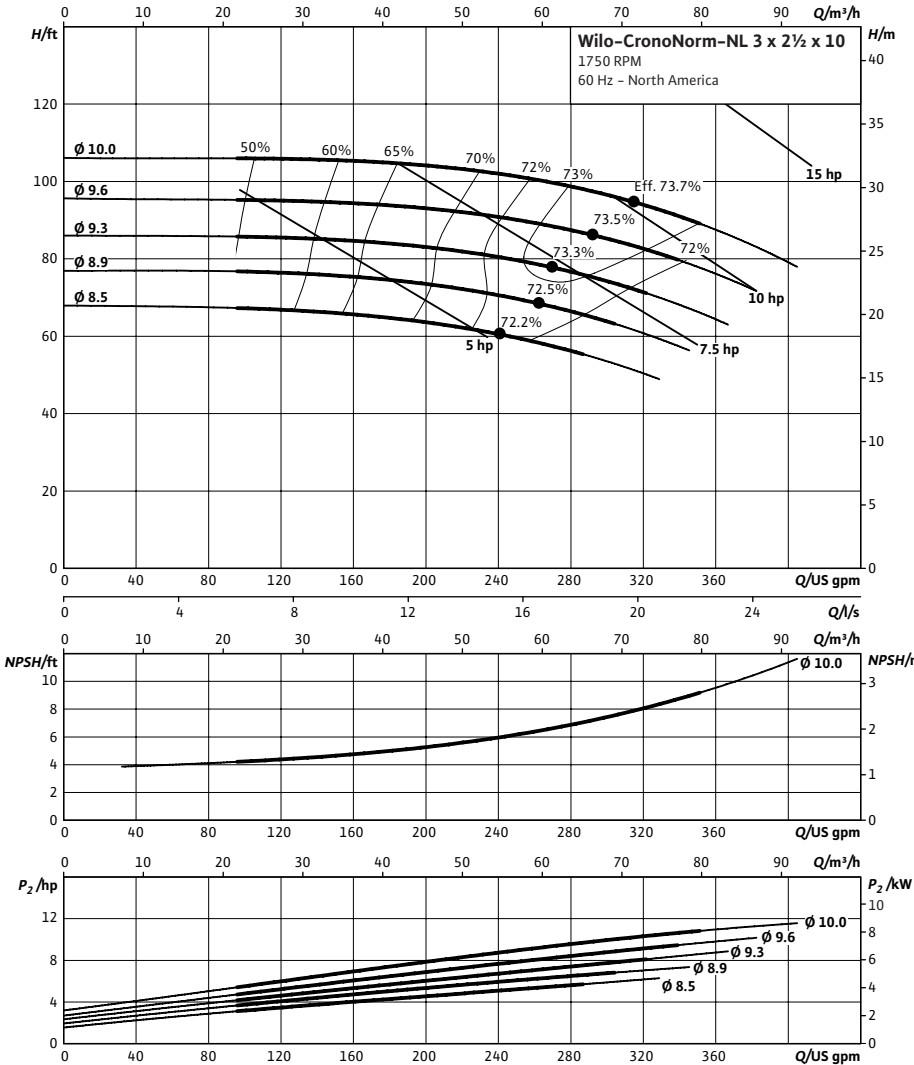


NL 3 x 2½ x 10



Project:									
Engineer:									
Contractor:									
Submitted By:					Date:				
Approved By:					Date:				

Tag #	Model #	Flow (USGPM)	Head (Feet)	HP	Enclosure TEFC/ODP	Frame	Cycle	Phase	Voltage	RPM
	NL 3 x 2½ x 10						60Hz	3		1750



Technical Data

Approved Fluids

- Heating Water
- Cooling and cold water
- Water-Glycol mixtures (for 20-40% glycol and fluid temp ≤ 104°F (40°C))

Fluid Temperature

- Mechanical Seal: 18°F to 250°F (-8°C to 120°C)
- Stuffing Box Packing: 32°F to 220°F (0°C to 105°C)

Materials of Construction

<input type="checkbox"/> Pump Housing	C.I. FG260
<input type="checkbox"/> Impeller	Bronze LG2
<input type="checkbox"/> Impeller (optional)	C.I. FG260
<input type="checkbox"/> Pump Shaft	SS AISI 420
<input type="checkbox"/> Mechanical Seal	Carbon/silicon carbide/EPDM (E1)
<input type="checkbox"/> Other Mechanical Seals	Avail. on request
<input type="checkbox"/> Additional Spacer Coupling	Avail. on request
<input type="checkbox"/> Other:	

Approval Stamp

Submittal Data Sheet

Wilo NL - Base Mounted End Suction Pumps



Dimensions & Weights

Wilo NL



NL 3 x 2½ x 10

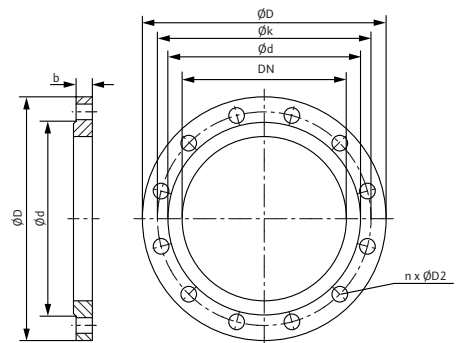
Dimensions - Inches (mm)

Frame	a	A	L	L1	L2	L3	L4	L5	X	HD	H2	H3	H4	Hb	B2	B3	B4	n	S1	S4
184T	3.94 [100]	3.75 (95)	36.44 [1002]	45.25 [1149]	7.88 [200]	29.50 [749]	45.44 [1154]	16.50 [419]	.5 (13)	10.00 [254]	9.81 [249]	11.88 [302]	21.69 [551]	4.00 [102]	16.19 [411]	14.75 [375]	13.00 [330]	4	13.00 [330]	.88 [22]
213T	3.94 [100]	3.75 (95)	41.88 [1064]	45.25 [1149]	7.88 [200]	29.50 [749]	45.44 [1154]	18.94 [481]	.5 (13)	13.00 [330]	9.81 [249]	11.88 [302]	21.69 [551]	4.00 [102]	16.19 [411]	14.75 [375]	13.00 [330]	4	13.00 [330]	.88 [22]
215T	3.94 [100]	3.75 (95)	41.88 [1064]	45.25 [1149]	7.88 [200]	29.50 [749]	45.44 [1154]	18.94 [481]	.5 (13)	13.00 [330]	9.81 [249]	11.88 [302]	21.69 [551]	4.00 [102]	16.19 [411]	14.75 [375]	13.00 [330]	4	13.00 [330]	.88 [22]
254T	3.94 [100]	3.75 (95)	46.13 [1172]	45.25 [1149]	7.88 [200]	29.50 [749]	45.44 [1154]	23.19 [589]	.5 (13)	15.63 [397]	9.81 [249]	11.88 [302]	21.69 [551]	4.00 [102]	16.19 [411]	14.75 [375]	13.00 [330]	4	13.00 [330]	.88 [22]

Flange Dimensions - Suction Side

Dimensions - Inches (mm)

DN S #125	ØD	Ød	Øk	b	n	D2
3	7.50 (191)	5.50 (140)	6.00 (152)	.94 (24)	4	.75 (19)



Flange Dimensions - Discharge Side

Dimensions - Inches (mm)

DN D 125#	ØD	Ød	Øk	b	n	D2
2½	7.00 (178)	4.13 (105)	5.50 (140)	.88 (22)	4	.75 (19)

WILO USA LLC

Tel: (866) 945-6872 Web: www.wilo-usa.com
Fax: (708) 338-9455 Email: info@wilo-usa.com

WILO Canada Inc.

Tel: (866) 945-6236 Web: www.wilo-canada.com
Fax: (403) 277-9456 Email: info@wilo-canada.com

WILO Mexico

Tel: +52 55 5586 3209 Web: www.wilo-mexico.com.mx
Fax: +52 1 55 5413 4165 Email: info@wilo.com.mx