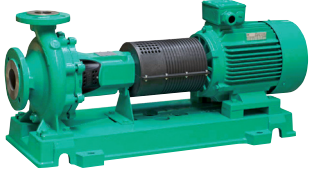


Submittal Data Sheet

Wilo NL - Base Mounted End Suction Pumps

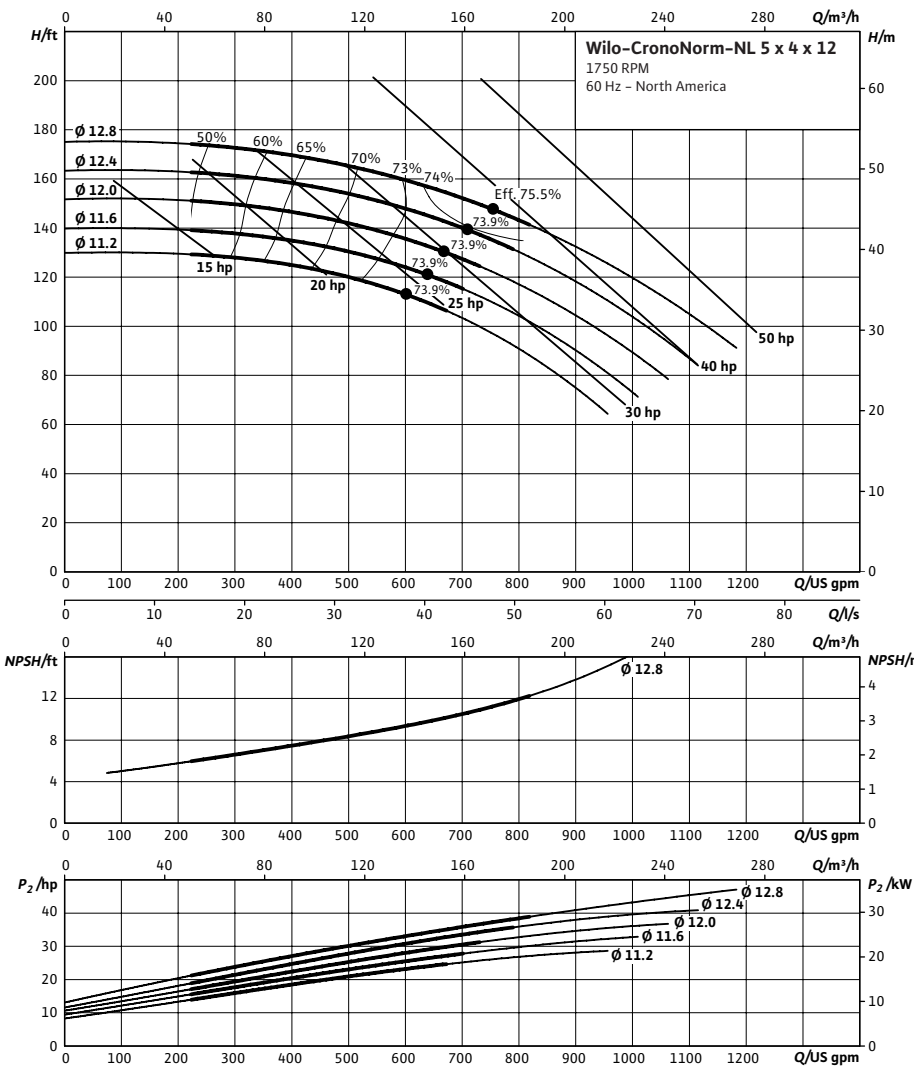


NL 5 x 4 x 12



| | |
|---------------|-------|
| Project: | |
| Engineer: | |
| Contractor: | |
| Submitted By: | Date: |
| Approved By: | Date: |

| Tag # | Model # | Flow (USGPM) | Head (Feet) | HP | Enclosure TEFC/ODP | Frame | Cycle | Phase | Voltage | RPM |
|-------|---------------|--------------|-------------|----|--------------------|-------|-------|-------|---------|------|
| | NL 5 x 4 x 12 | | | | | | 60Hz | 3 | | 1750 |



Technical Data

Approved Fluids

- Heating Water
- Cooling and cold water
- Water-Glycol mixtures (for 20-40% glycol and fluid temp ≤ 104°F (40°C))

Fluid Temperature

- Mechanical Seal: 18°F to 250°F (-8°C to 120°C)
- Stuffing Box Packing: 32°F to 220°F (0°C to 105°C)

Materials of Construction

| | |
|---|----------------------------------|
| <input type="checkbox"/> Pump Housing | C.I. FG260 |
| <input type="checkbox"/> Impeller | Bronze LG2 |
| <input type="checkbox"/> Impeller (optional) | C.I. FG260 |
| <input type="checkbox"/> Pump Shaft | SS AISI 420 |
| <input type="checkbox"/> Mechanical Seal | Carbon/silicon carbide/EPDM (E1) |
| <input type="checkbox"/> Other Mechanical Seals | Avail. on request |
| <input type="checkbox"/> Additional Spacer Coupling | Avail. on request |
| <input type="checkbox"/> Other: | |

Approval Stamp

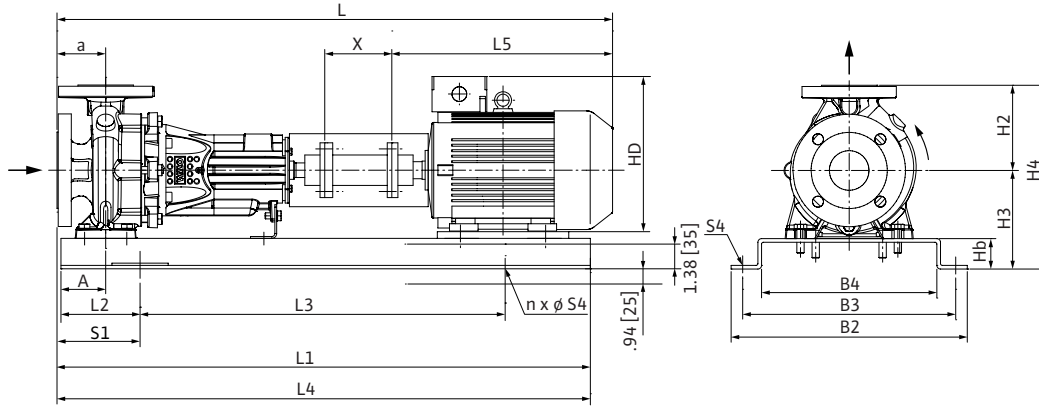
Submittal Data Sheet

Wilo NL - Base Mounted End Suction Pumps



Dimensions & Weights

Wilo NL



NL 5 x 4 x 12

Dimensions - Inches (mm)

| Frame | a | A | L | L1 | L2 | L3 | L4 | L5 | X | HD | H2 | H3 | H4 | Hb | B2 | B3 | B4 | n | S1 | S4 |
|-------|---------------|---------------|-----------------|-----------------|---------------|----------------|-----------------|----------------|------------|----------------|----------------|----------------|----------------|---------------|----------------|----------------|----------------|---|----------------|-------------|
| 286T | 5.50 (140) | 3.75 (95) | 50.94 (1394) | 51.44 (1307) | 9.81 (249) | 31.75 (806) | 53.19 (1351) | 26.44 (672) | .5 (13) | 13.63 (346) | 12.38 (314) | 13.81 (351) | 26.25 (642) | 4.00 (102) | 18.94 (481) | 17.50 (445) | 15.75 (400) | 4 | 11.56 (294) | .63 (16) |
| 324T | 5.50 (140) | 3.75 (95) | 53.94 (1370) | 51.44 (1307) | 9.81 (249) | 31.75 (806) | 53.19 (1351) | 29.44 (748) | .5 (13) | 15.56 (395) | 12.38 (314) | 13.81 (351) | 26.25 (642) | 4.00 (102) | 18.94 (481) | 17.50 (445) | 15.75 (400) | 4 | 11.56 (294) | .63 (16) |
| 326T | 5.50 (140) | 3.75 (95) | 53.94 (1370) | 51.44 (1307) | 9.81 (249) | 31.75 (806) | 53.19 (1351) | 29.44 (748) | .5 (13) | 15.56 (395) | 12.38 (314) | 13.81 (351) | 26.25 (642) | 4.00 (102) | 18.94 (481) | 17.50 (445) | 15.75 (400) | 4 | 11.56 (294) | .63 (16) |
| 364T | 5.50 (140) | 3.75 (95) | 58.25 (1480) | 51.44 (1307) | 9.81 (249) | 31.75 (806) | 53.19 (1351) | 33.75 (857) | .5 (13) | 21.75 (552) | 12.38 (314) | 13.81 (351) | 26.25 (642) | 4.00 (102) | 18.94 (481) | 17.50 (445) | 15.75 (400) | 4 | 11.56 (294) | .63 (16) |
| 365T | 5.50 (140) | 3.75 (95) | 58.25 (1480) | 51.44 (1307) | 9.81 (249) | 31.75 (806) | 53.19 (1351) | 33.75 (857) | .5 (13) | 21.75 (552) | 12.38 (314) | 13.81 (351) | 26.25 (642) | 4.00 (102) | 18.94 (481) | 17.50 (445) | 15.75 (400) | 4 | 11.56 (294) | .63 (16) |
| 364TS | 5.50 (140) | 3.75 (95) | 53.06 (1347) | 51.44 (1307) | 9.81 (249) | 31.75 (806) | 53.19 (1351) | 28.56 (725) | .5 (13) | 16.56 (421) | 12.38 (314) | 13.81 (351) | 26.25 (642) | 4.00 (102) | 18.94 (481) | 17.50 (445) | 15.75 (400) | 4 | 11.56 (294) | .63 (16) |
| 365TS | 5.50 (140) | 3.75 (95) | 53.06 (1347) | 51.44 (1307) | 9.81 (249) | 31.75 (806) | 53.19 (1351) | 28.56 (725) | .5 (13) | 16.56 (421) | 12.38 (314) | 13.81 (351) | 26.25 (642) | 4.00 (102) | 18.94 (481) | 17.50 (445) | 15.75 (400) | 4 | 11.56 (294) | .63 (16) |
| 404T | 5.50 (140) | 4.56 (116) | 62.50 (1588) | 55.88 (1419) | 9.81 (249) | 36.25 (921) | 56.88 (1445) | 38.00 (965) | .5 (13) | 18.44 (468) | 12.38 (314) | 14.00 (356) | 26.38 (670) | 4.00 (102) | 22.06 (560) | 20.63 (524) | 17.56 (446) | 4 | 10.81 (274) | .63 (16) |
| 405T | 5.50 (140) | 4.56 (116) | 62.50 (1588) | 55.88 (1419) | 9.81 (249) | 36.25 (921) | 56.88 (1445) | 38.00 (965) | .5 (13) | 18.44 (468) | 12.38 (314) | 14.00 (356) | 26.38 (670) | 4.00 (102) | 22.06 (560) | 20.63 (524) | 17.56 (446) | 4 | 10.81 (274) | .63 (16) |
| 405TS | 5.50 (140) | 4.56 (116) | 59.13 (1502) | 55.88 (1419) | 9.81 (249) | 36.25 (921) | 56.88 (1445) | 34.63 (880) | .5 (13) | 18.44 (468) | 12.38 (314) | 14.00 (356) | 26.38 (670) | 4.00 (102) | 22.06 (560) | 20.63 (524) | 17.56 (446) | 4 | 10.81 (274) | .63 (16) |

Flange Dimensions - Suction Side

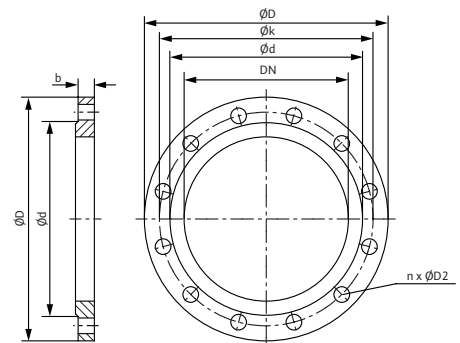
Dimensions - Inches (mm)

| DN S #125 | ØD | Ød | Øk | b | n | D2 |
|-----------|----------------|---------------|---------------|-------------|---|-------------|
| 5 | 10.00 (254) | 7.31 (186) | 8.50 (216) | .94 (24) | 8 | .88 (22) |

Flange Dimensions - Discharge Side

Dimensions - Inches (mm)

| DN D 125# | ØD | Ød | Øk | b | n | D2 |
|-----------|---------------|---------------|---------------|-------------|---|-------------|
| 4 | 9.00 (229) | 6.19 (157) | 7.50 (191) | .94 (24) | 8 | .75 (19) |



WILO USA LLC

Tel: (866) 945-6872 Web: www.wilo-usa.com
Fax: (708) 338-9455 Email: info@wilo-usa.com

WILO Canada Inc.

Tel: (866) 945-6236 Web: www.wilo-canada.com
Fax: (403) 277-9456 Email: info@wilo-canada.com

WILO Mexico

Tel: +52 55 5586 3209 Web: www.wilo-mexico.com.mx
Fax: +52 1 55 5413 4165 Email: info@wilo.com.mx