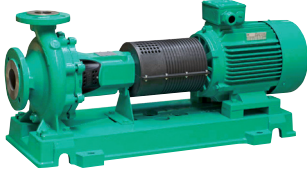


Submittal Data Sheet

Wilo NL - Base Mounted End Suction Pumps

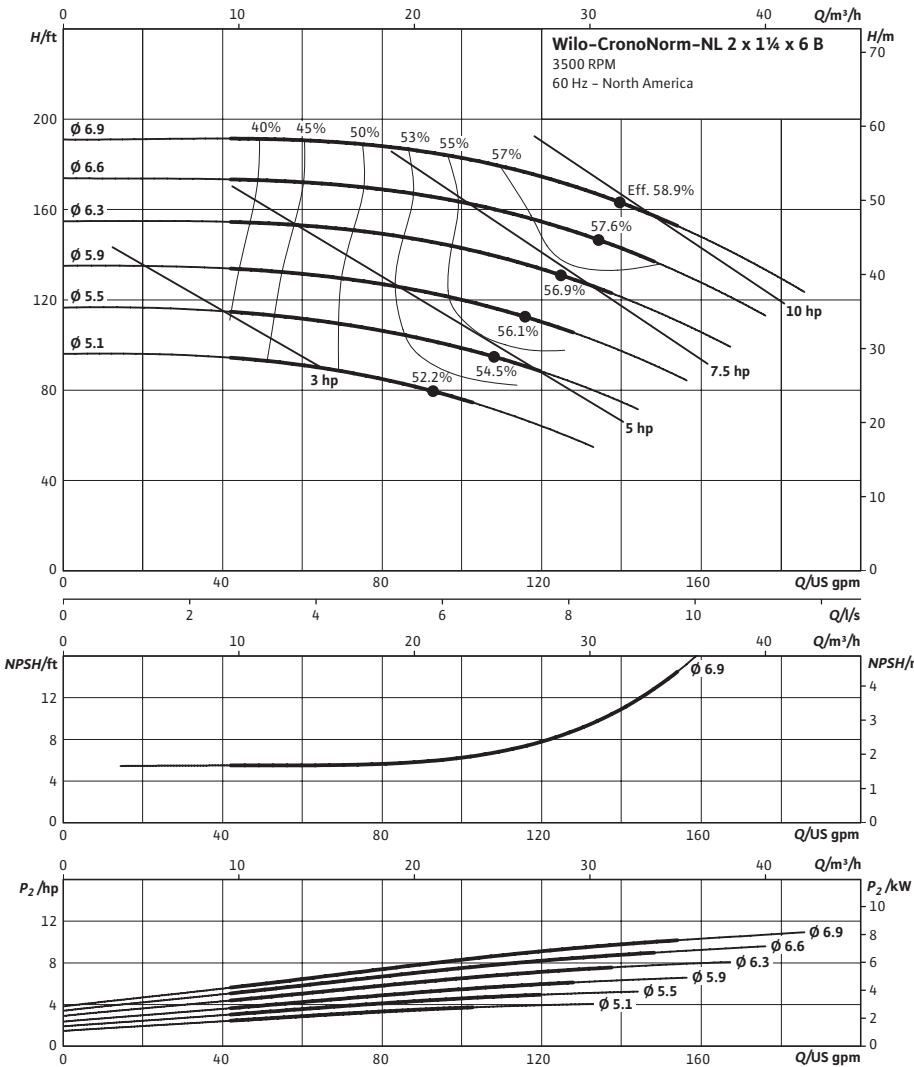


NL 2 x 1 1/4 x 6B



| | |
|---------------|-------|
| Project: | |
| Engineer: | |
| Contractor: | |
| Submitted By: | Date: |
| Approved By: | Date: |

| Tag # | Model # | Flow (USGPM) | Head (Feet) | HP | Enclosure TEFC/ODP | Frame | Cycle | Phase | Voltage | RPM |
|-------|-------------------|--------------|-------------|----|--------------------|-------|-------|-------|---------|------|
| | NL 2 x 1 1/4 x 6B | | | | | | 60Hz | 3 | | 3500 |



Technical Data

Approved Fluids

- Heating Water
- Cooling and cold water
- Water-Glycol mixtures (for 20-40% glycol and fluid temp ≤ 104°F (40°C))

Fluid Temperature

- Mechanical Seal: 18°F to 250°F (-8°C to 120°C)
- Stuffing Box Packing: 32°F to 220°F (0°C to 105°C)

Materials of Construction

| | |
|-----------------------------------------------------|----------------------------------|
| <input type="checkbox"/> Pump Housing | C.I. FG260 |
| <input type="checkbox"/> Impeller | Bronze LG2 |
| <input type="checkbox"/> Impeller (optional) | C.I. FG260 |
| <input type="checkbox"/> Pump Shaft | SS AISI 420 |
| <input type="checkbox"/> Mechanical Seal | Carbon/silicon carbide/EPDM (E1) |
| <input type="checkbox"/> Other Mechanical Seals | Avail. on request |
| <input type="checkbox"/> Additional Spacer Coupling | Avail. on request |
| <input type="checkbox"/> Other: | |

Approval Stamp

Submittal Data Sheet

Wilo NL - Base Mounted End Suction Pumps



Dimensions & Weights

Wilo NL



NL 2 x 1 1/4 x 6B

Dimensions - Inches (mm)

| Frame | a | A | L | L1 | L2 | L3 | L4 | L5 | X | HD | H2 | H3 | H4 | Hb | B2 | B3 | B4 | n | S1 | S4 |
|-------|--------------|--------------|-----------------|-----------------|---------------|----------------|----------------|----------------|-------------|----------------|---------------|----------------|----------------|---------------|----------------|----------------|----------------|---|---------------|----------------|
| 145T | 3.13 (80) | 2.63 (67) | 32.19 (817) | 32.81 (833) | 5.88 (149) | 21.00 (533) | 33.38 (848) | 14.38 (365) | .50 (13) | 6.81 (173) | 6.31 (160) | 7.56 (192) | 13.88 (353) | 2.38 (60) | 14.88 (378) | 13.13 (334) | 10.94 (279) | 4 | 6.44 (164) | .88 (22.35) |
| 182T | 3.13 (80) | 2.63 (67) | 35.88 (911) | 32.81 (833) | 5.88 (149) | 21.00 (533) | 33.38 (848) | 18.00 (457) | .50 (13) | 11.25 (286) | 6.31 (160) | 7.56 (192) | 13.88 (353) | 2.38 (60) | 14.88 (378) | 13.13 (334) | 10.94 (279) | 4 | 6.44 (164) | .88 (22.35) |
| 184T | 3.13 (80) | 2.63 (67) | 35.88 (911) | 32.81 (833) | 5.88 (149) | 21.00 (533) | 33.38 (848) | 18.00 (457) | .50 (13) | 11.25 (286) | 6.31 (160) | 7.56 (192) | 13.88 (353) | 2.38 (60) | 14.88 (378) | 13.13 (334) | 10.94 (279) | 4 | 6.44 (164) | .88 (22.35) |
| 213T | 3.13 (80) | 2.63 (67) | 38.38 (975) | 32.81 (833) | 5.88 (149) | 21.00 (533) | 33.38 (848) | 20.50 (521) | .50 (13) | 13.00 (330) | 6.31 (160) | 7.63 (194) | 13.94 (354) | 2.38 (60) | 14.88 (378) | 13.13 (334) | 10.94 (279) | 4 | 6.44 (164) | .88 (22.35) |
| 215T | 3.13 (80) | 2.63 (67) | 38.38 (975) | 32.81 (833) | 5.88 (149) | 21.00 (533) | 33.38 (848) | 20.50 (521) | .50 (13) | 13.00 (330) | 6.31 (160) | 7.63 (194) | 13.94 (354) | 2.38 (60) | 14.88 (378) | 13.13 (334) | 10.94 (279) | 4 | 6.44 (164) | .88 (22.35) |
| 254T | 3.13 (80) | 3.75 (95) | 40.94 (1040) | 45.25 (1149) | 7.88 (200) | 29.50 (749) | 29.63 (753) | 23.19 (589) | .50 (13) | 15.63 (397) | 6.31 (160) | 10.50 (267) | 16.81 (427) | 4.25 (108) | 16.19 (411) | 14.75 (375) | 13.00 (330) | 4 | 7.25 (184) | .63 (16) |

Flange Dimensions - Suction Side

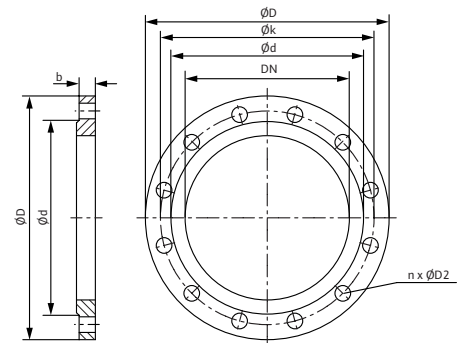
Dimensions - Inches (mm)

| DN S #125 | ØD | Ød | Øk | b | n | D2 |
|-----------|------------|--------------|---------------|-------------|---|-------------|
| 2 | 6 (152) | 3.63 (92) | 4.75 (121) | .75 (19) | 4 | .75 (19) |

Flange Dimensions - Discharge Side

Dimensions - Inches (mm)

| DN D 125# | ØD | Ød | Øk | b | n | D2 |
|-----------|---------------|--------------|--------------|-------------|---|-------------|
| 1 1/4 | 4.63 (118) | 2.50 (64) | 3.50 (89) | .63 (16) | 4 | .63 (16) |



WILO USA LLC

Tel: (866) 945-6872 Web: www.wilo-usa.com
Fax: (708) 338-9455 Email: info@wilo-usa.com

WILO Canada Inc.

Tel: (866) 945-6236 Web: www.wilo-canada.com
Fax: (403) 277-9456 Email: info@wilo-canada.com

WILO Mexico

Tel: +52 55 5586 3209 Web: www.wilo-mexico.com.mx
Fax: +52 1 55 5413 4165 Email: info@wilo.com.mx