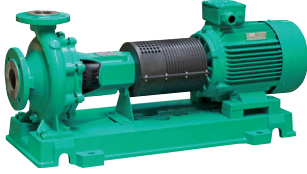


Submittal Data Sheet

Wilo NL - Base Mounted End Suction Pumps

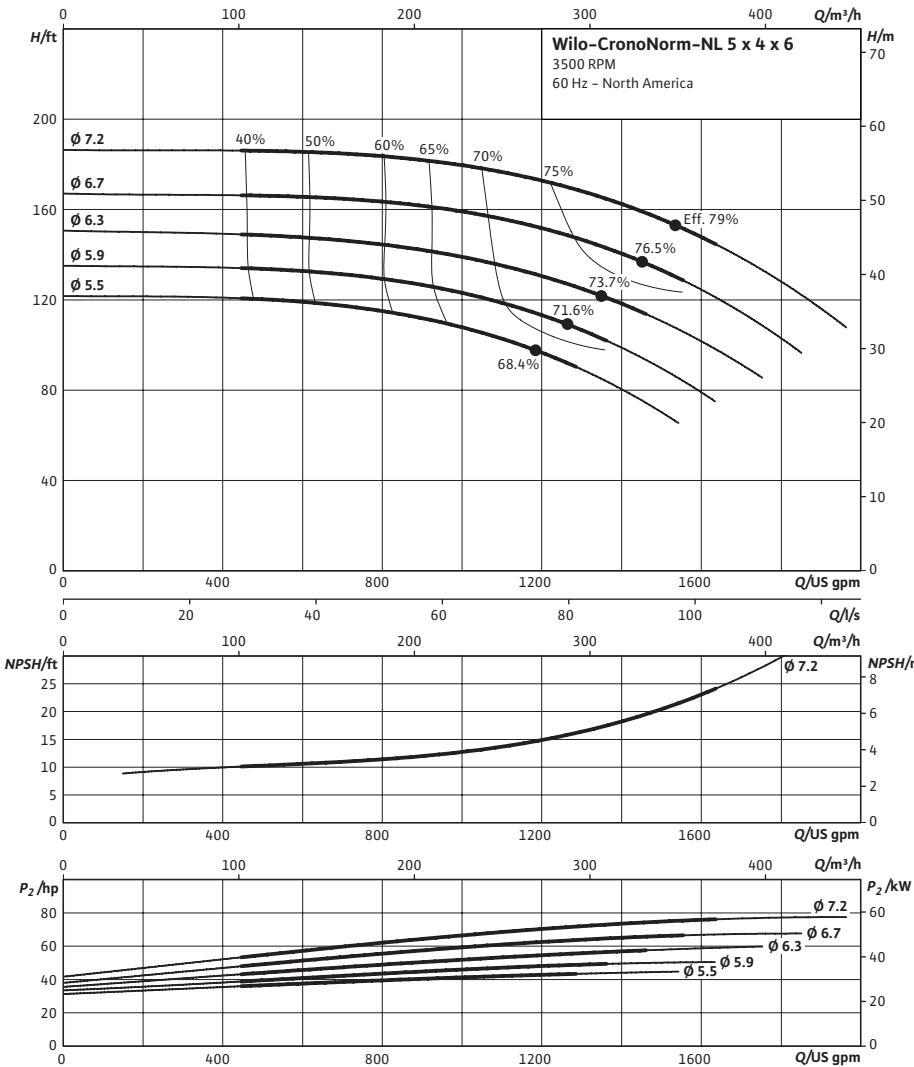


NL 5 x 4 x 6



Project:	
Engineer:	
Contractor:	
Submitted By:	Date:
Approved By:	Date:

Tag #	Model #	Flow (USGPM)	Head (Feet)	HP	Enclosure TEFC/ODP	Frame	Cycle	Phase	Voltage	RPM
	NL 5 x 4 x 6						60Hz	3		3500



Technical Data

Approved Fluids

- Heating Water
- Cooling and cold water
- Water-Glycol mixtures (for 20-40% glycol and fluid temp \leq 104°F (40°C))

Fluid Temperature

- Mechanical Seal: 18°F to 250°F (-8°C to 120°C)
- Stuffing Box Packing: 32°F to 220°F (0°C to 105°C)

Materials of Construction

<input type="checkbox"/> Pump Housing	C.I. FG260
<input type="checkbox"/> Impeller	Bronze LG2
<input type="checkbox"/> Impeller (optional)	C.I. FG260
<input type="checkbox"/> Pump Shaft	SS AISI 420
<input type="checkbox"/> Mechanical Seal	Carbon/silicon carbide/EPDM (E1)
<input type="checkbox"/> Other Mechanical Seals	Avail. on request
<input type="checkbox"/> Additional Spacer Coupling	Avail. on request
<input type="checkbox"/> Other:	

Approval Stamp

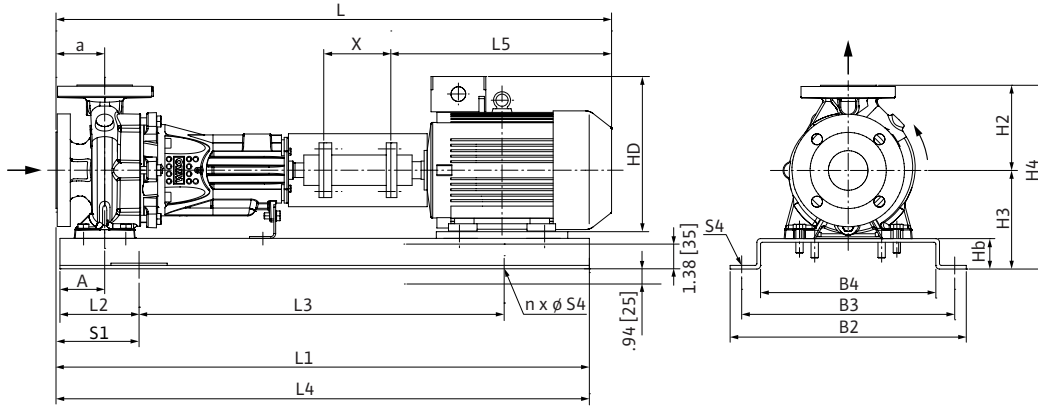
Submittal Data Sheet

Wilo NL - Base Mounted End Suction Pumps



Dimensions & Weights

Wilo NL



NL 5 x 4 x 6

Dimensions - Inches (mm)

Frame	a	A	L	L1	L2	L3	L4	L5	X	HD	H2	H3	H4	Hb	B2	B3	B4	n	S1	S4
286TS	4.94 (125)	3.75 (95)	49.00 (1244)	45.25 (1149)	7.88 (200)	29.50 (749)	46.44 (1180)	25.00 (636)	.5 (13)	13.63 (346)	11.00 (279)	11.88 (302)	22.88 (581)	4.25 (108)	16.19 (411)	14.75 (375)	13.00 (330)	4	9.00 (229)	.63 (16)
324TS	4.94 (125)	3.75 (95)	51.13 (1298)	51.44 (1307)	7.88 (200)	31.75 (806)	52.63 (1337)	26.69 (678)	.5 (13)	19.50 (495)	11.00 (279)	12.25 (311)	23.25 (591)	4.25 (108)	18.94 (481)	17.50 (445)	15.75 (400)	4	11.00 (279)	.63 (16)
326TS	4.94 (125)	3.75 (95)	51.13 (1298)	51.44 (1307)	7.88 (200)	31.75 (806)	52.63 (1337)	26.69 (678)	.5 (13)	19.50 (495)	11.00 (279)	12.25 (311)	23.25 (591)	4.25 (108)	18.94 (481)	17.50 (445)	15.75 (400)	4	11.00 (279)	.63 (16)
364TS	4.94 (125)	3.75 (95)	52.50 (1333)	51.44 (1307)	7.88 (200)	31.75 (806)	52.63 (1337)	30.75 (780)	.5 (13)	20.75 (525)	11.00 (279)	13.25 (337)	24.31 (617)	4.25 (108)	18.94 (481)	17.50 (445)	15.75 (400)	4	11.00 (279)	.63 (16)
365TS	4.94 (125)	3.75 (95)	52.50 (1333)	51.44 (1307)	7.88 (200)	31.75 (806)	52.63 (1337)	30.75 (780)	.5 (13)	20.75 (525)	11.00 (279)	13.25 (337)	24.31 (617)	4.25 (108)	18.94 (481)	17.50 (445)	15.75 (400)	4	11.00 (279)	.63 (16)
405TS	4.94 (125)	4.56 (116)	58.13 (1477)	55.93 (1420)	7.88 (200)	36.25 (921)	56.25 (1429)	34.25 (869)	.5 (13)	21.75 (552)	11.00 (279)	14.25 (362)	25.25 (642)	4.25 (108)	22.06 (561)	20.63 (524)	17.56 (446)	4	10.19 (259)	.63 (16)

Flange Dimensions - Suction Side

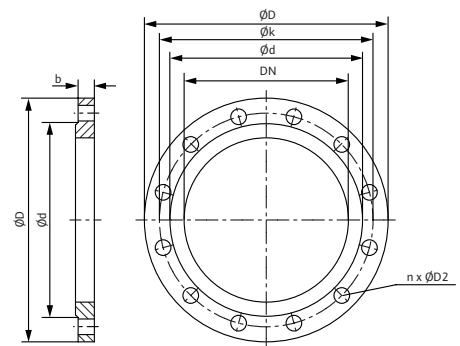
Dimensions - Inches (mm)

DN S #125	ØD	Ød	Øk	b	n	D2
5	10.00 (254)	7.31 (186)	8.50 (216)	.94 (24)	8	.88 (22)

Flange Dimensions - Discharge Side

Dimensions - Inches (mm)

DN D 125#	ØD	Ød	Øk	b	n	D2
4	9.00 (229)	6.19 (157)	7.50 (191)	.94 (24)	8	.75 (19)



WILO USA LLC

Tel: (866) 945-6872 Web: www.wilo-usa.com
Fax: (708) 338-9455 Email: info@wilo-usa.com

WILO Canada Inc.

Tel: (866) 945-6236 Web: www.wilo-canada.com
Fax: (403) 277-9456 Email: info@wilo-canada.com

WILO Mexico

Tel: +52 55 5586 3209 Web: www.wilo-mexico.com.mx
Fax: +52 1 55 5413 4165 Email: info@wilo.com.mx