

# Submittal Data Sheet

Wilo Top S – Commercial Wet Rotor Circulators

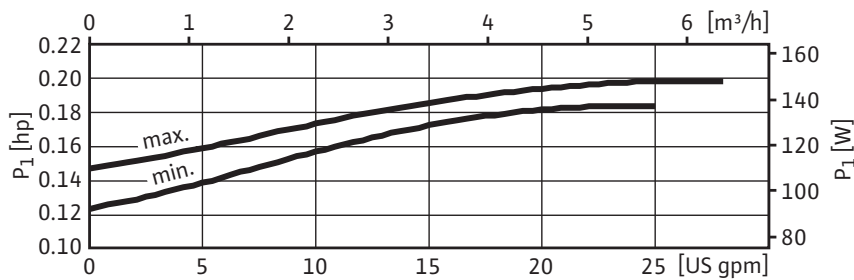
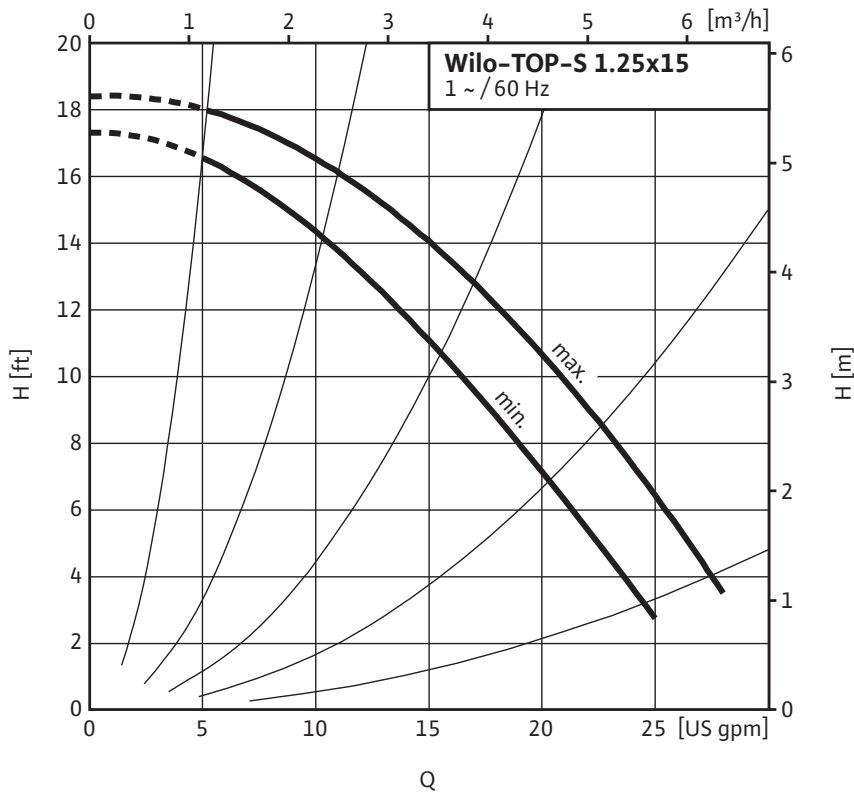


## Top S – Single Phase



Project:	
Engineer:	
Contractor:	
Submitted By:	Date:
Approved By:	Date:

Tag #	Model #	Speed	Flow	Head	HP	Phase	Voltage
	Top S 1.25 x 15					1	



Materials of Construction	
Volute	Cast Iron (Closed Systems) Cataphoresis Coated
Impeller	Engineered composite (PP - 50% GF)
Shaft	Stainless Steel (X40 Cr13) / AISI 420SS
Bearing	Metal Impregnated Carbon
Degree of Protection	Enclosure
Protection Class	H

Technical Data	
Max. Temp. Range	14°F 248°F (- 10°C to 120°C)
Ambient Temp. Range	32°F - 104°F (0°C - 40 °C)
Electrical Connections	1~115, 1~230v
Max. Working Pressure	145 PSI (10 Bar)
Min. Inlet Pressure 140 °F (60 °C)	1.8 PSI (0.1 Bar)
Min. Inlet Pressure 194 °F (90 °C)	7.3 PSI (0.5 Bar)
Min. Inlet Pressure 248 °F (120 °C)	29.9 PSI (2 Bar)

- | Applications         |                                           |
|----------------------|-------------------------------------------|
| • Heating Systems    | • Cold water and air-conditioning systems |
| • Geothermal Systems | • Water/Glycol up to 50%                  |
| • Solar Systems      | • Industrial Circulation Systems          |

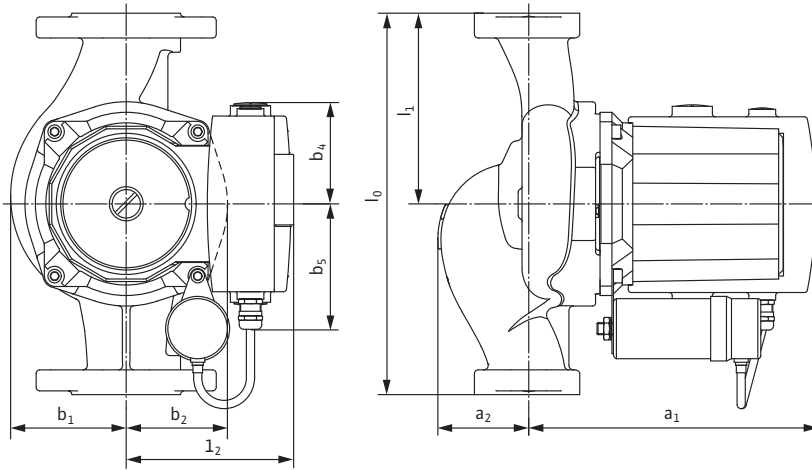
Approval Stamp

# Submittal Data Sheet

Wilo Top S – Commercial Wet Rotor Circulators



## Dimensions & Weights

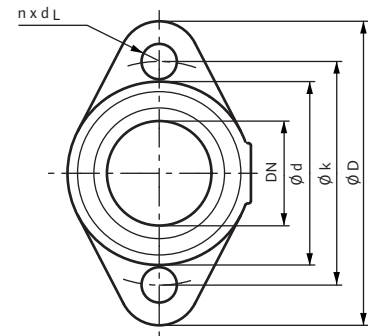


### Dimensions and Weights

Model	Dimensions - Inches (mm)									Weight - lbs (kg)
	$l_0$	$l_1$	$l_2$	$a_1$	$a_2$	$b_1$	$b_2$	$b_4$	$b_5$	
Top S 1.25 x 15	6½	¾	4 <sup>3/16</sup>	7 <sup>11/16</sup>	¼	2 <sup>9/16</sup>	2 <sup>3/16</sup>	¾	3 <sup>5/16</sup>	13.7
	(165)	(82.5)	(106)	(195)	(32)	(65.5)	(56)	(70)	(83.5)	(6.2)

### Flange Dimensions

Dia. (DN)	Dimensions - Inches (mm)				
	$\phi D$	$\phi d_1$	$\phi d_2$	$\phi k$	$n \times d_L$
1¼"	4¾	1 <sup>3/8</sup>	2 <sup>7/8</sup>	3½	2 x $\phi$ ½
	(121)	(35)	(73)	(89)	(2 x $\phi$ 14)



### Motor Data

Model	hp	Speed	Watts	FLA	FLA
		RPM	W	1~115V	1~230V
Top S 1.25 x 15	1/8	2950-3200	140-145	1.3-1.4	0.6-0.7

WILO USA LLC

Tel: (888) 945-6872 Web: [www.wilo-usa.com](http://www.wilo-usa.com)  
 Fax: (888) 945-6873 Email: [info@wilo-usa.com](mailto:info@wilo-usa.com)

WILO Canada Inc.

Tel: (866) 945-6236 Web: [www.wilo-canada.com](http://www.wilo-canada.com)  
 Fax: (403) 277-9456 Email: [info@wilo-canada.com](mailto:info@wilo-canada.com)

WILO Mexico

Tel: +52 55 5586 3209 Web: [www.wilo-mexico.com.mx](http://www.wilo-mexico.com.mx)  
 Fax: +52 1 55 5413 4165 Email: [info@wilo.com.mx](mailto:info@wilo.com.mx)