

# Submittal Data Sheet

Wilo Top S – Commercial Wet Rotor Circulators

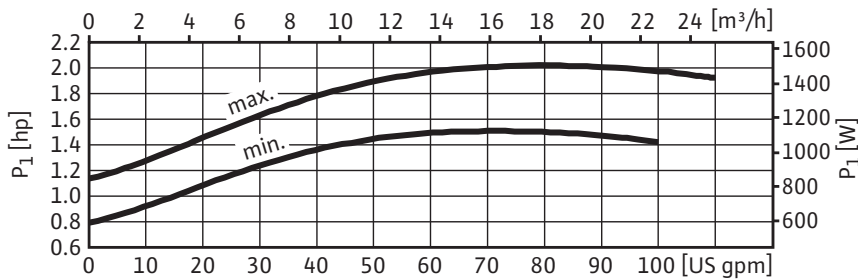
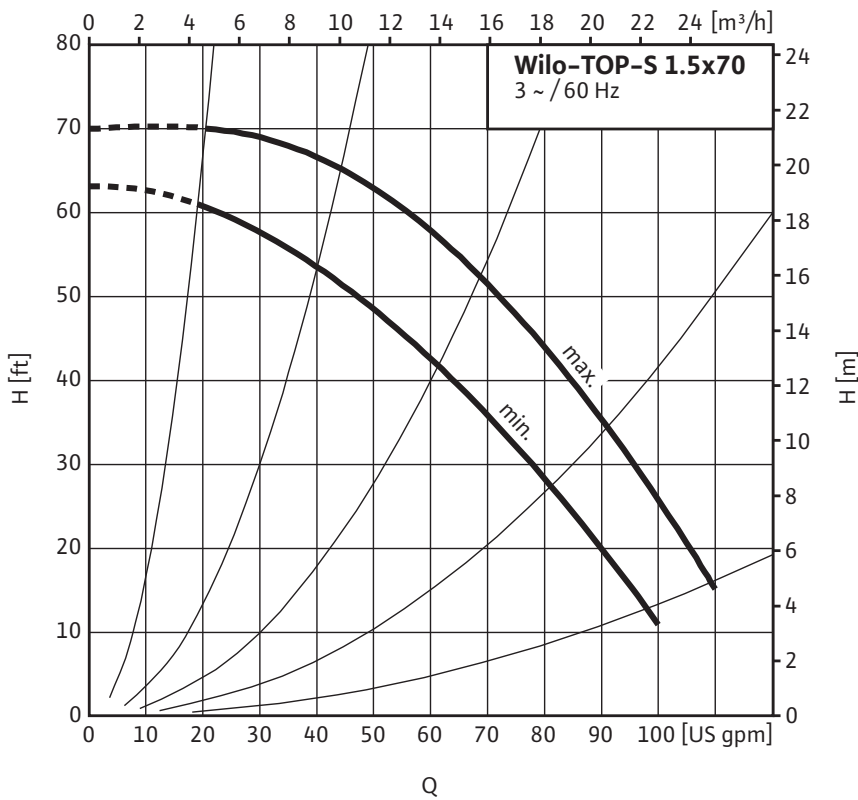


## Top S – Three Phase



Project:	
Engineer:	
Contractor:	
Submitted By:	Date:
Approved By:	Date:

Tag #	Model #	Speed	Flow	Head	HP	Phase	Voltage
	Top S 1.5 x 70					3	



Materials of Construction	
Volute	Cast Iron (Closed Systems) Cataphoresis Coated
Impeller	Engineered composite (PP – 50% GF)
Shaft	Stainless Steel (X40 Cr13) / AISI 420SS
Bearing	Metal Impregnated Carbon
Degree of Protection	Enclosure
Protection Class	H

Technical Data	
Max. Temp. Range	14°F 248°F (- 10°C to 120°C)
Ambient Temp. Range	32°F – 104°F (0°C – 40 °C)
Electrical Connections	3–208–230v, 460v, 575v
Max. Working Pressure	145 PSI (10 Bar)
Min. Inlet Pressure 140 °F (60 °C)	1.8 PSI (0.1 Bar)
Min. Inlet Pressure 194 °F (90 °C)	7.3 PSI (0.5 Bar)
Min. Inlet Pressure 248 °F (120 °C)	29.9 PSI (2 Bar)

Applications	
• Heating Systems	• Cold water and air-conditioning systems
• Geothermal Systems	• Water/Glycol up to 50%
• Solar Systems	• Industrial Circulation Systems

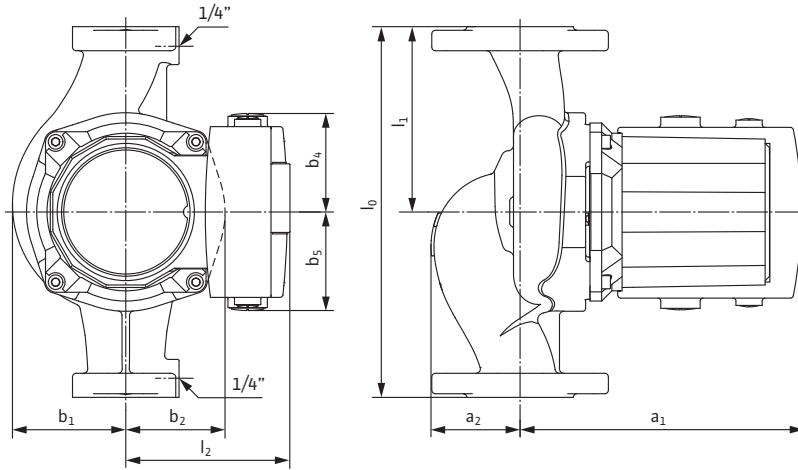
Approval Stamp

# Submittal Data Sheet

Wilo Top S – Commercial Wet Rotor Circulators



## Dimensions & Weights

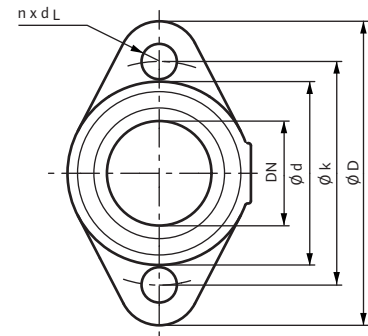


### Dimensions and Weights

Model	Dimensions - Inches (mm)									Weight - lbs (kg)
	$l_0$	$l_1$	$l_2$	$a_1$	$a_2$	$b_1$	$b_2$	$b_4$	$b_5$	
Top S 1.5 x 70	10	5	5 <sup>1/8</sup>	10 <sup>7/8</sup>	2 <sup>1/8</sup>	3 <sup>7/8</sup>	3 <sup>3/8</sup>	2 <sup>3/4</sup>	2 <sup>3/4</sup>	45
	(254)	(127)	(130)	(277)	(54)	(99)	(86)	(70)	(70)	(20.4)

### Flange Dimensions

Dia. (DN)	Dimensions - Inches (mm)				
	$\phi D$	$\phi d_1$	$\phi d_2$	$\phi k$	$n \times d_L$
1 <sup>1/2</sup> "	4 <sup>3/4</sup>	1 <sup>5/8</sup>	2 <sup>7/8</sup>	3 <sup>1/2</sup>	2 x $\phi$ 1/2
	(121)	(41)	(73)	(89)	(2 x $\phi$ 14)



### Motor Data

Model	hp	Speed	Watts	FLA	FLA	FLA
		RPM	W	3~208-230V	3~460V	3~575V
Top S 1.5 x 70	1 <sup>1/2</sup>	3050-3410	1125-1505	3.5-5.3	1.7-2.6	1.4-2.1

WILO USA LLC

Tel: (888) 945-6872 Web: [www.wilo-usa.com](http://www.wilo-usa.com)  
 Fax: (888) 945-6873 Email: [info@wilo-usa.com](mailto:info@wilo-usa.com)

WILO Canada Inc.

Tel: (866) 945-6236 Web: [www.wilo-canada.com](http://www.wilo-canada.com)  
 Fax: (403) 277-9456 Email: [info@wilo-canada.com](mailto:info@wilo-canada.com)

WILO Mexico

Tel: +52 55 5586 3209 Web: [www.wilo-mexico.com.mx](http://www.wilo-mexico.com.mx)  
 Fax: +52 1 55 5413 4165 Email: [info@wilo.com.mx](mailto:info@wilo.com.mx)