

# Submittal Data Sheet

Wilo Top S – Commercial Wet Rotor Circulators

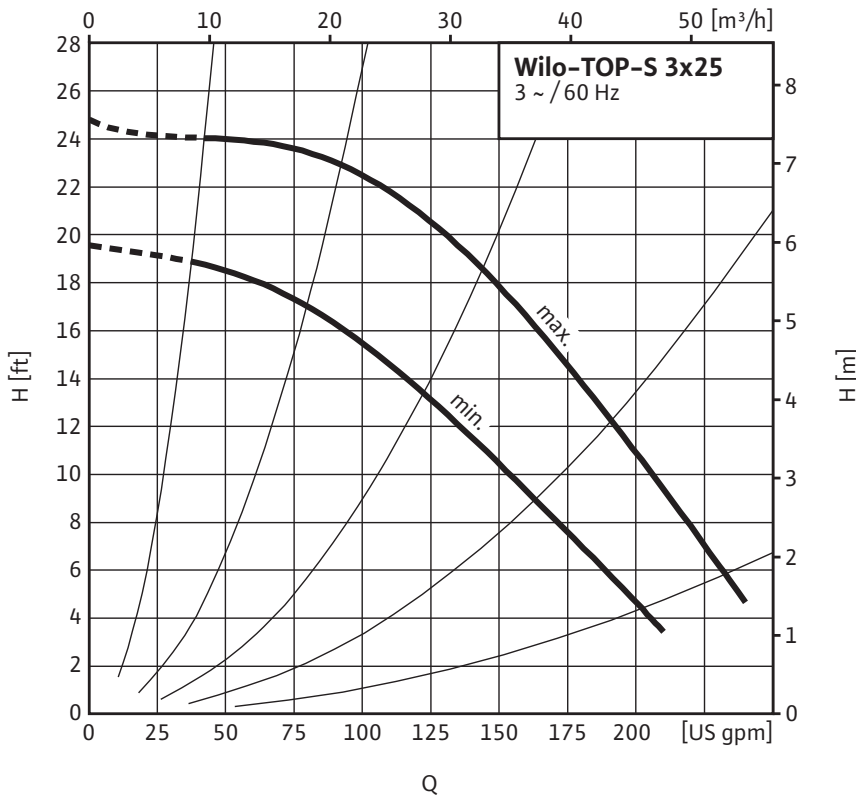


## Top S – Three Phase



Project:	
Engineer:	
Contractor:	
Submitted By:	Date:
Approved By:	Date:

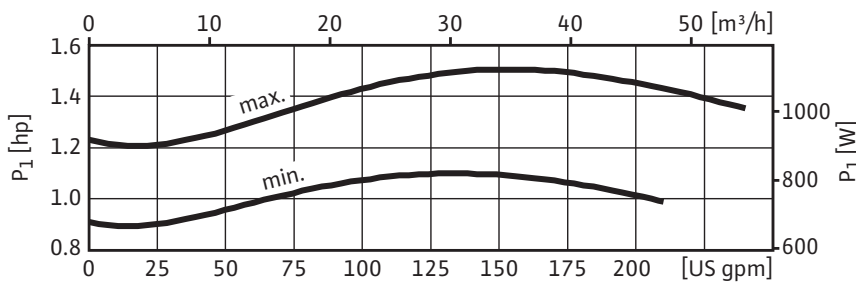
Tag #	Model #	Speed	Flow	Head	HP	Phase	Voltage
	Top S 3 x 25					3	



Materials of Construction	
Volute	Cast Iron (Closed Systems) Cataphoresis Coated
Impeller	Engineered composite (PP – 50% GF)
Shaft	Stainless Steel (X40 Cr13) / AISI 420SS
Bearing	Metal Impregnated Carbon
Degree of Protection	Enclosure
Protection Class	H

Technical Data	
Max. Temp. Range	14°F 248°F (- 10°C to 120°C)
Ambient Temp. Range	32°F – 104°F (0°C – 40 °C)
Electrical Connections	3~208–230v, 460v, 575v
Max. Working Pressure	145 PSI (10 Bar)
Min. Inlet Pressure 140 °F (60 °C)	6.3 PSI (0.4 Bar)
Min. Inlet Pressure 194 °F (90 °C)	15.4 PSI (1 Bar)
Min. Inlet Pressure 248 °F (120 °C)	38.9 PSI (2.7 Bar)

Applications	
• Heating Systems	• Cold water and air-conditioning systems
• Geothermal Systems	• Water/Glycol up to 50%
• Solar Systems	• Industrial Circulation Systems



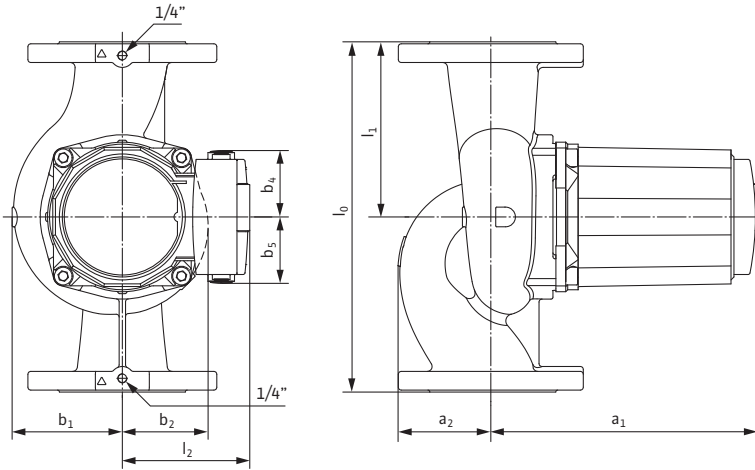
Approval Stamp

# Submittal Data Sheet

Wilo Top S – Commercial Wet Rotor Circulators



## Dimensions & Weights

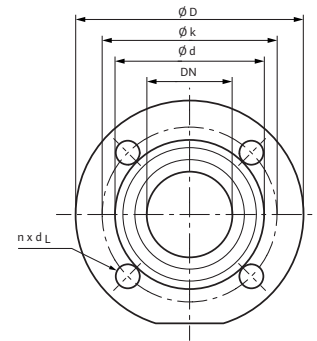


### Dimensions and Weights

Model	Dimensions - Inches (mm)									Weight - lbs (kg)
	$l_0$	$l_1$	$l_2$	$a_1$	$a_2$	$b_1$	$b_2$	$b_4$	$b_5$	
Top S 3 x 25	14	7	5 <sup>1/8</sup>	10 <sup>11/16</sup>	3 <sup>11/16</sup>	4 <sup>7/16</sup>	3 <sup>7/16</sup>	2 <sup>3/4</sup>	2 <sup>3/4</sup>	60.0
	(356)	(178)	(130)	(271)	(94)	(112)	(87)	(70)	(70)	(27.2)

### Flange Dimensions

Dia. (DN)	Dimensions - Inches (mm)				
	$\phi D$	$\phi d_1$	$\phi d_2$	$\phi k$	$n \times d_L$
3"	7 <sup>9/16</sup>	3 <sup>3/4</sup>	5 <sup>1/16</sup>	6	4 x $\phi$ 3/4
	(192)	(82)	(128)	(152)	(4 x $\phi$ 19)



### Motor Data

Model	hp	Speed RPM	Watts W	FLA		
				3~208-230V	3~460V	3~575V
Top S 3 x 25	3/4	2910-3340	820-1125	2.5-3.8	1.3-1.9	1.0-1.5

WILO USA LLC

Tel: (888) 945-6872 Web: [www.wilo-usa.com](http://www.wilo-usa.com)  
 Fax: (888) 945-6873 Email: [info@wilo-usa.com](mailto:info@wilo-usa.com)

WILO Canada Inc.

Tel: (866) 945-6236 Web: [www.wilo-canada.com](http://www.wilo-canada.com)  
 Fax: (403) 277-9456 Email: [info@wilo-canada.com](mailto:info@wilo-canada.com)

WILO Mexico

Tel: +52 55 5586 3209 Web: [www.wilo-mexico.com.mx](http://www.wilo-mexico.com.mx)  
 Fax: +52 1 55 5413 4165 Email: [info@wilo.com.mx](mailto:info@wilo.com.mx)