

Submittal Data Sheet

Wilo Stratos Z - High Efficiency Circulators

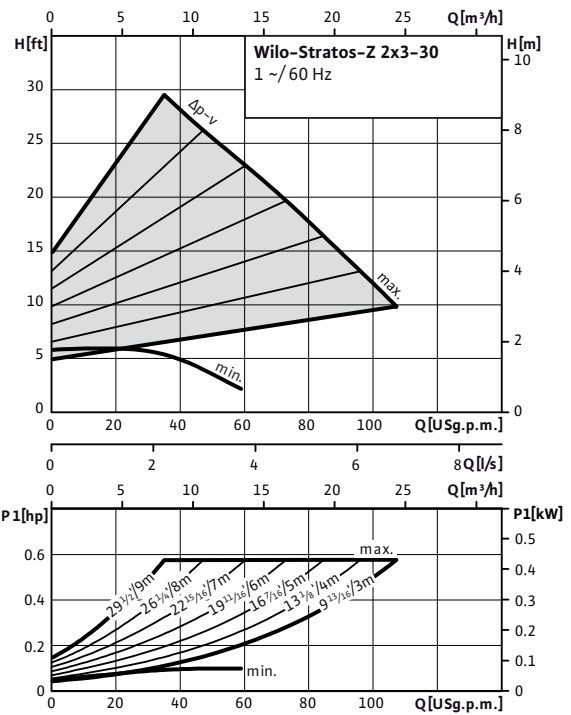
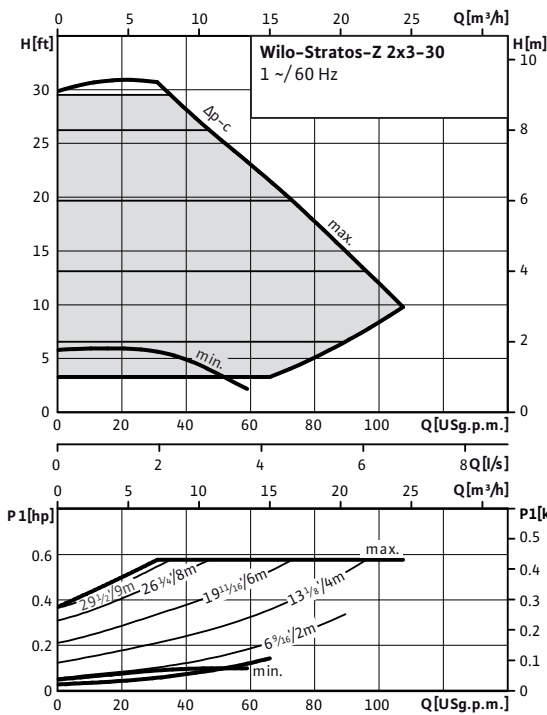


Stratos Z 2x3-30



Project:	
Engineer:	
Contractor:	
Submitted By:	Date:
Approved By:	Date:

Tag #	Model #	Flow	Head	Control Mode	Cycle	Phase	Voltage
	Stratos Z 2x3-30				60Hz	1	230



Technical Data

Liquid Temp Range	14°F to 230°F (-10°C to 110°C)
Max Temperature	104°F (40°C)
Min. Suction Pressure (122°F)	10.0 PSI
Min. Suction Pressure (203°F)	21.3 PSI
Min. Suction Pressure (230°F)	32.7 PSI

Materials of Construction

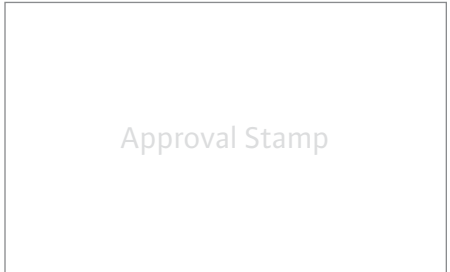
Pump Volute	Stainless steel
Impeller	Composite (PPS-40% GF)
Shaft	Stainless Steel (X39CrMo17-1)
Bearing	Carbon, synthetic resin impregnated

IR Module Selection

Module 1	Module
	BACnet / Dual Pump
	LONworks / Dual Pump
	SBM Run Signal / Ext. Off / Dual Pump
	SBM Run Signal / 0-10v / Dual Pump
	Ext. Min / 0-10v / Dual Pump
	Ext. Off / 0-10v / Dual Pump
	None

Applications

• Heating Systems	• Cooling Circuits
• Air Conditioning	• Industrial Circulation
• Solar Systems	• Geothermal Systems

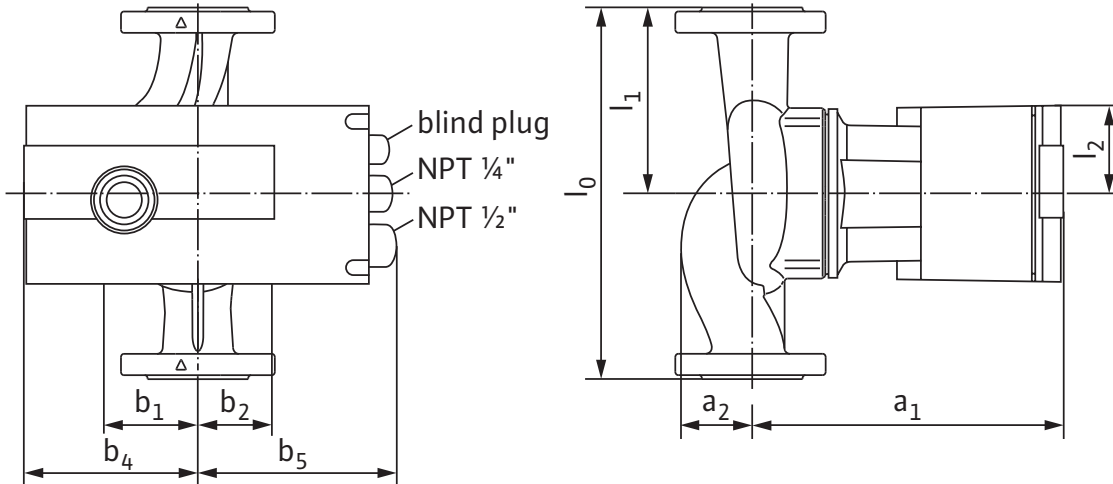


Submittal Data Sheet

Wilo Stratos Z - High Efficiency Circulators



Dimensions & Weights

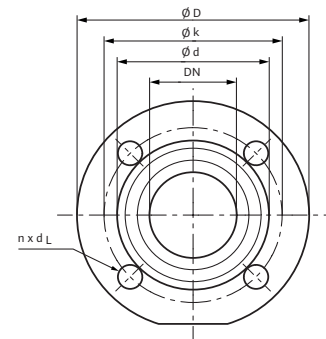


Dimensions and Weights

Model	Dimensions - Inches (mm)									Weight - lbs (kg)
	l_0	l_1	l_2	a_1	a_2	b_1	b_2	b_4	b_5	
Stratos Z 2x3-30	11	5½	2 ^{5/8}	10 ^{1/16}	2½	¾	2½	4¾	6 ^{7/16}	30.86
	(279)	(139.5)	(66)	(256)	(63)	(82)	(64)	(120)	(163)	(14.0)

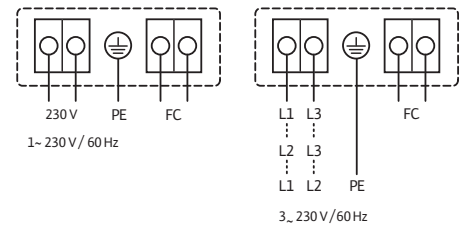
Flange Dimensions

Dia.	Dimensions - Inches (mm)			
	ϕD	ϕd	ϕk	$n \times d_L$
2"	5¼	3 ^{7/16}	4	4 x ^{9/16}
	(133)	(87)	(102)	(4 x 14)



ECM Motor Data

Model	hp	Speed	Watts	FLA	FLA
		RPM	W	1~230V	3~230V
Stratos Z 2x3-30	0.469	1400-4100	25-430	0.20-1.88	0.20-1.88



WILO USA LLC

Tel: (888) 945-6872 Web: www.wilo-usa.com
 Fax: (888) 945-6873 Email: info@wilo-usa.com

WILO Canada Inc.

Tel: (866) 945-6236 Web: www.wilo-canada.com
 Fax: (403) 277-9456 Email: info@wilo-canada.com

WILO Mexico

Tel: +52 55 5586 3209 Web: www.wilo-mexico.com.mx
 Fax: +52 1 55 5413 4165 Email: info@wilo.com.mx