

Submittal Data Sheet

Wilo Stratos Z - High Efficiency Circulators

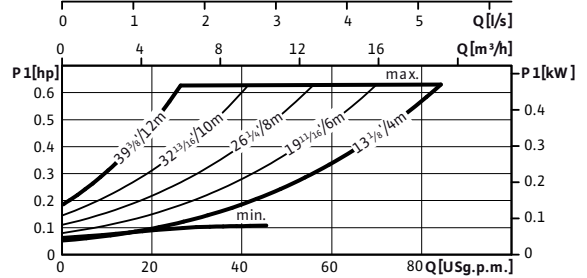
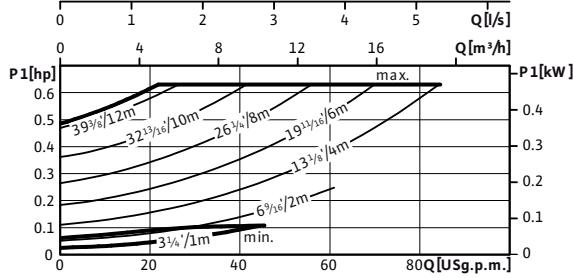
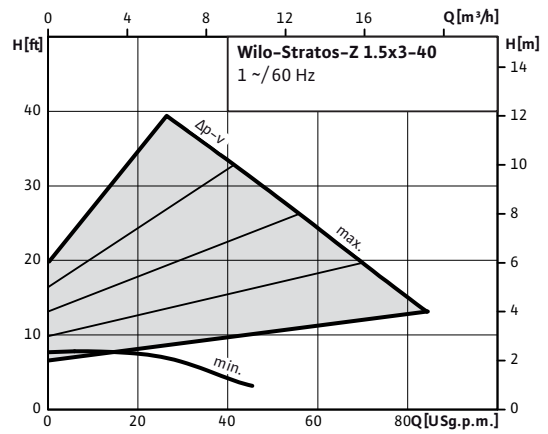
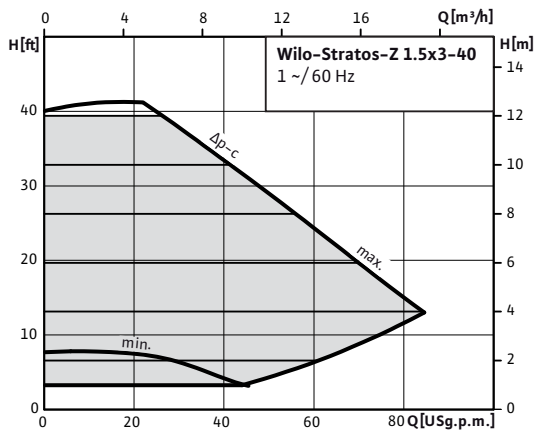


Stratos Z 1.5x3-40



Project:	
Engineer:	
Contractor:	
Submitted By:	Date:
Approved By:	Date:

Tag #	Model #	Flow	Head	Control Mode	Cycle	Phase	Voltage
	Stratos Z 1.5x3-40				60Hz	1	230



Technical Data

Liquid Temp Range	14°F to 230°F (-10°C to 110°C)
Max Temperature	104°F (40°C)
Min. Suction Pressure (122°F)	10.0 PSI
Min. Suction Pressure (203°F)	21.3 PSI
Min. Suction Pressure (230°F)	32.7 PSI

Materials of Construction

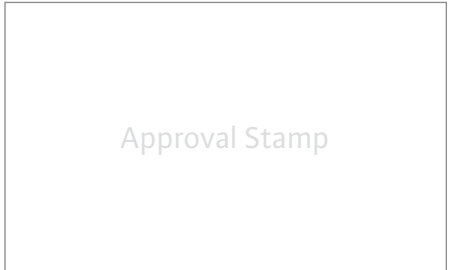
Pump Volute	Stainless steel
Impeller	Composite (PPS-40% GF)
Shaft	Stainless Steel (X39CrMo17-1)
Bearing	Carbon, synthetic resin impregnated

IR Module Selection

Module 1	Module
	BACnet / Dual Pump
	LONworks / Dual Pump
	SBM Run Signal / Ext. Off / Dual Pump
	SBM Run Signal / 0-10v / Dual Pump
	Ext. Min / 0-10v / Dual Pump
	Ext. Off / 0-10v / Dual Pump
	None

Applications

- Heating Systems
- Cooling Circuits
- Air Conditioning
- Industrial Circulation
- Solar Systems
- Geothermal Systems

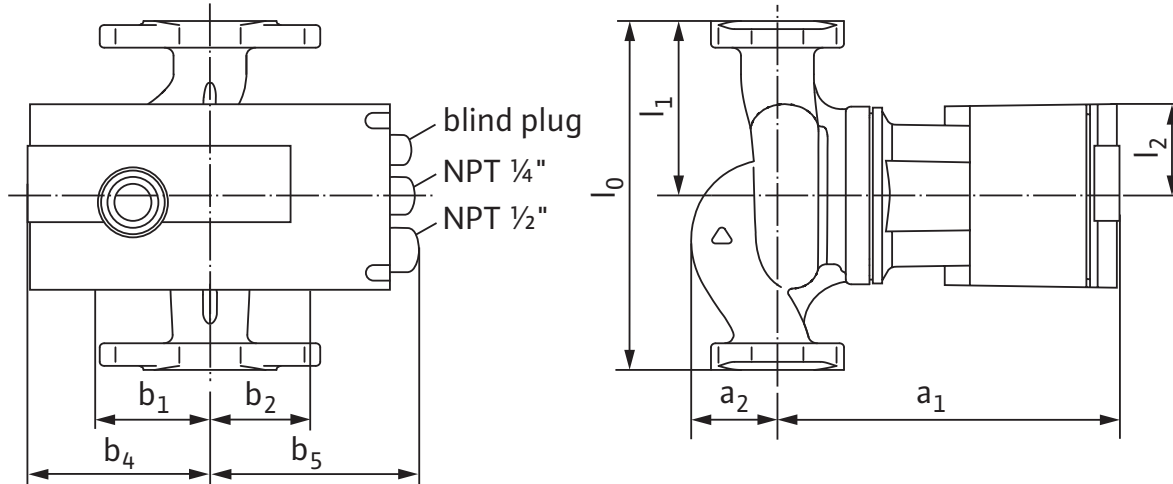


Submittal Data Sheet

Wilo Stratos Z - High Efficiency Circulators



Dimensions & Weights

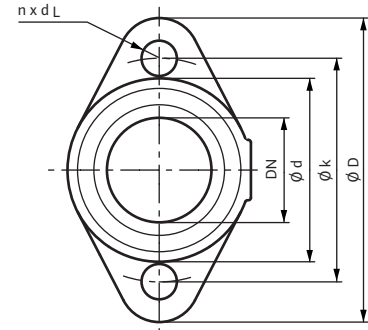


Dimensions and Weights

Model	Dimensions - Inches (mm)									Weight - lbs (kg)
	l_0	l_1	l_2	a_1	a_2	b_1	b_2	b_4	b_5	
Stratos Z 1.5x3-40	10	5	2 ^{5/8}	9 ^{15/16}	2 ^{1/2}	2 ^{7/8}	2 ^{1/2}	4 ^{3/4}	6 ^{7/16}	28.66
	(254)	(127)	(66)	(252)	(64)	(73)	(64)	(120)	(163)	(13.0)

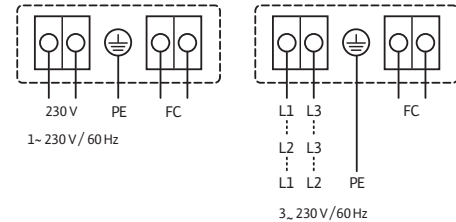
Flange Dimensions

Dimensions - Inches (mm)				
Dia.	ϕD	ϕd	ϕk	$n \times d_L$
1 ^{1/2} "	4 ^{3/4}	2 ^{7/8}	3 ^{1/2}	2 x 9 ^{9/16}
	(121)	(73)	(89)	(2 x 14)



ECM Motor Data

Model	hp	Speed	Watts	FLA	FLA
		RPM	W	1~230V	3~230V
Stratos Z 1.5x3-40	0.469	1400-4600	25-470	0.20-2.05	0.20-2.05



WILO USA LLC

Tel: (888) 945-6872 Web: www.wilo-usa.com
 Fax: (888) 945-6873 Email: info@wilo-usa.com

WILO Canada Inc.

Tel: (866) 945-6236 Web: www.wilo-canada.com
 Fax: (403) 277-9456 Email: info@wilo-canada.com

WILO Mexico

Tel: +52 55 5586 3209 Web: www.wilo-mexico.com.mx
 Fax: +52 1 55 5413 4165 Email: info@wilo.com.mx