

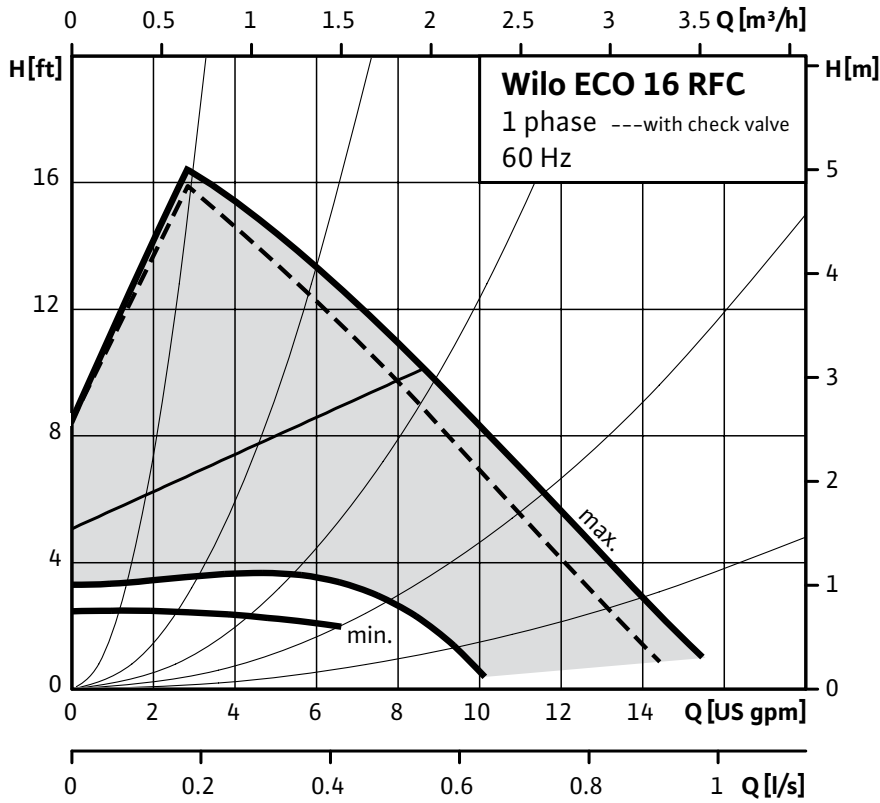
# Submittal Data Sheet

## Wilo ECO RFC - Residential High Efficiency Circulator



### ECO 16 RFC

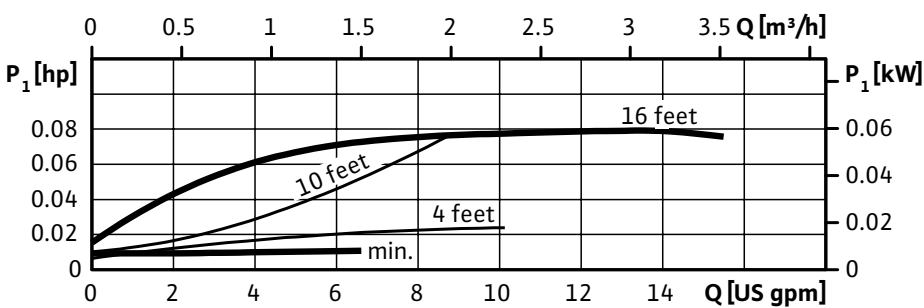
	Project:						
	Engineer:						
	Contractor:						
	Submitted By:				Date:		
	Approved By:				Date:		
Tag #	Model #	Check Valve	Flow	Head	Phase	Voltage	Cycle
	ECO 16 RFC				1	115	60Hz



Materials of Construction	
Pump Housing	Cast iron (EN-GJL 200)
Rotating flange	Cast iron (FGS 250)
Impeller	Reinforced plastics PPS (polypropylene)
Shaft	Stainless steel (X30 Cr13 or X46 Cr13)
Bearing	Carbon, metal impregnated
Check valve	Glass filled Noryl + EPDM rubber

Technical Data	
Fluid Temp Range	60°F to 230°F (15°C to 110 °C)
Ambient Temp Range	14°F to 104°F (-10°C to 40 °C)
Electrical Connections	1-115
Max Working Pressure	145 PSI
Min. Inlet Pressure (122°F)	1.0 PSI
Min. Inlet Pressure (203°F)	4.3 PSI
Min. Inlet Pressure (230°F)	14.0 PSI

Applications	
• Heating Systems	• HVAC Applications
• Residential Heating	• Water/Glycol up to 50%
• Solar Systems	• Geothermal Systems



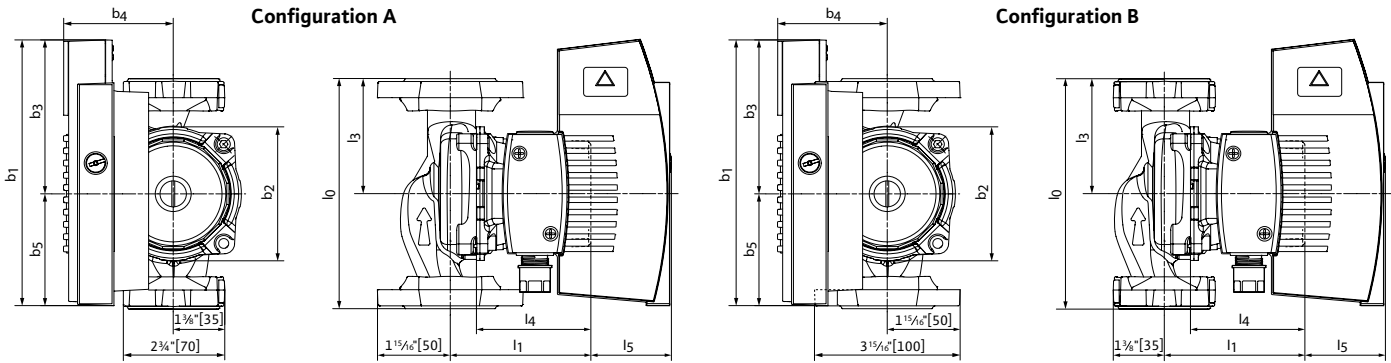
Approval Stamp

# Submittal Data Sheet

Wilo ECO RFC - Residential High Efficiency Circulator



## Dimensions & Weights

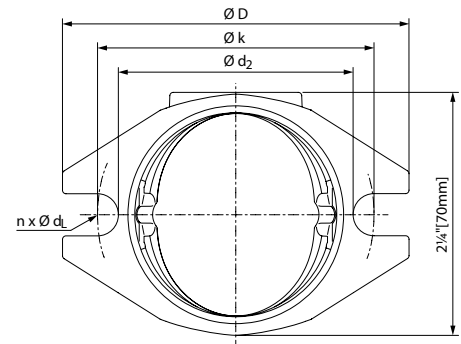


## Dimensions and Weights

Model	Dimensions - Inches (mm)										Weight - lbs (kg)
	l <sub>0</sub>	b <sub>1</sub>	b <sub>2</sub>	b <sub>3</sub>	b <sub>4</sub>	b <sub>5</sub>	l <sub>1</sub>	l <sub>3</sub>	l <sub>4</sub>	l <sub>5</sub>	
ECO 16 RFC	6 1/2	7 5/16	3 15/16	4 1/4	2 15/16	3 1/16	3 15/16	3 3/16	3 1/16	2 3/16	7.72
	(162)	(185.5)	(93.5)	(107.5)	(75)	(78)	(100)	(81)	(78)	(55)	(3.50)

## Flange Dimensions

Pipe Dia.	Dimensions - Inches (mm)			
	ØD	Ød	Øk	n x d <sub>L</sub>
3/4" - 1 1/2"	3 15/16	2 11/16	3 1/8	2 x Ø 1/2
	(100)	(68)	(80)	(2 x Ø12)



## Motor Data

Model	hp	RPM	Speed	Watts	FLA
ECO 16 RFC	1/25	1500-3400		5.8-59.0	0.10-0.90

