

Submittal Data Sheet

Wilco MVI - Vertical Multistage Pumps

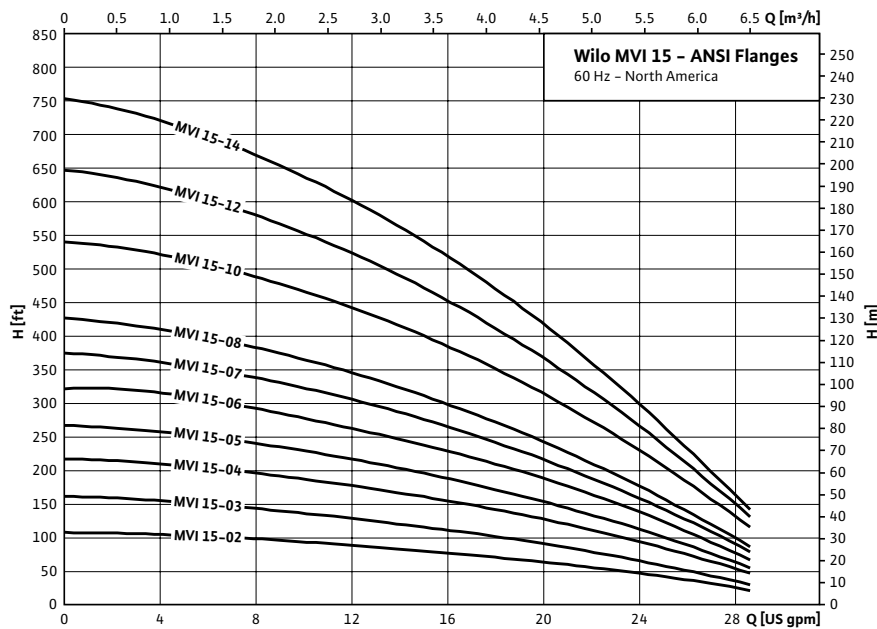


Wilco MVI 15

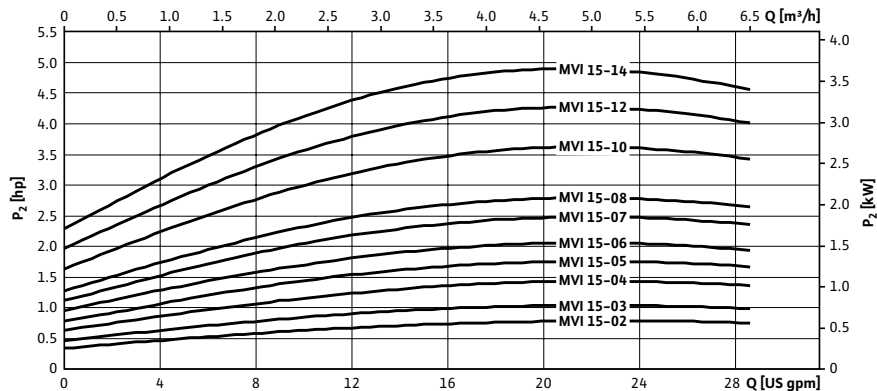
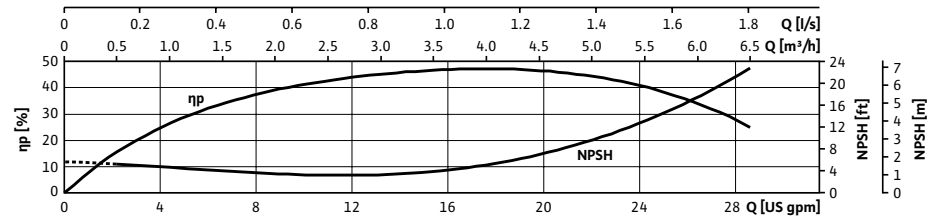


Project:	
Engineer:	
Contractor:	
Submitted By:	Date:
Approved By:	Date:

Tag #	Model #	Flow	Head	HP	Cycle	Phase	Voltage	RPM
					60Hz	3		3500



Technical Data	
Liquid Temp Range	5°F to 250°F (-15°C to 121°C)
Power Supply	3 ~ 208-230/460/575v
Ambient temperature limits	Maximum 104°F - <90% humidity (motor-dependent)
Flange Connection	1½" 250# ANSI Not Included
Max suction pressure	140 PSI
Motor Options	TEFC Standard



Materials of Construction	
Pump volute	Stainless steel
Impeller	Stainless steel AISI 304 (1.4301)
Shaft	Stainless steel AISI 304 (1.4301)
Mechanical seal	Carbon/tungsten carbide, SiC/carbon, EPDM elastomers

Applications	
• Water supply & pressure boosting	• Washing and sprinkling systems
• Condensate return	• Process engineering
• Boiler feed	• Cooling-water circuits
• Geothermal	• Heating

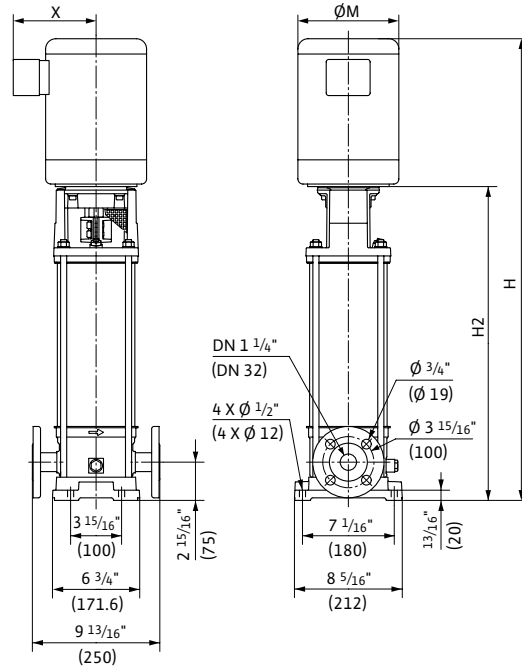
Approval Stamp

Submittal Data Sheet

Wilo MVI - Vertical Multistage Pumps



Dimensions & Weights



Dimensions and Weights

Model	Dimensions-inches (mm)								Weight	
	H		H ₂		M		X		lbs	kg
MVI 15-02	24 ^{7/8}	(632)	13 ^{5/8}	(346)	6 ^{3/16}	(157)	5 ^{3/16}	(132)	56.6	25.7
MVI 15-03	26 ^{1/16}	(662)	13 ^{5/8}	(346)	7 ^{3/16}	(183)	5 ^{3/4}	(146)	63.6	28.8
MVI 15-04	27	(686)	14 ^{9/16}	(370)	7 ^{3/16}	(183)	5 ^{3/4}	(146)	68.9	31.3
MVI 15-05	27 ^{15/16}	(710)	15 ^{1/2}	(394)	7 ^{3/16}	(183)	5 ^{3/4}	(146)	82.3	37.3
MVI 15-06	29 ^{7/8}	(759)	16 ^{7/16}	(418)	7 ^{3/16}	(183)	5 ^{3/4}	(146)	84.5	38.3
MVI 15-07	30 ^{13/16}	(783)	17 ^{3/8}	(442)	7 ^{3/16}	(183)	5 ^{3/4}	(146)	81.8	37.1
MVI 15-08	31 ^{3/8}	(797)	17 ^{15/16}	(456)	7 ^{3/16}	(183)	5 ^{3/4}	(146)	83.1	37.7
MVI 15-10	36 ^{3/8}	(924)	20 ^{15/16}	(533)	8 ^{1/2}	(216)	6 ^{7/8}	(174)	120	54.4
MVI 15-12	38 ^{3/4}	(972)	22 ^{7/8}	(581)	8 ^{1/2}	(216)	6 ^{7/8}	(174)	123.9	56.2
MVI 15-14	40 ^{3/16}	(1020)	24 ^{3/4}	(629)	8 ^{1/2}	(216)	6 ^{7/8}	(174)	126.8	57.5

TEFC Motor Data

P2	Phase	Voltage	FLA
[HP]	[~]	[V]	[A]
1	3	208-230/460/575	4.1-3.6/1.8/1.4
1	3	208-230/460/575	4.1-3.6/1.8/1.4
1.5	3	208-230/460/575	4.9-4.6/2.3/1.8
2	3	208-230/460/575	6.2-5.8/2.9/2.2
2	3	208-230/460/575	8.1-7.6/3.8/3.0
3	3	208-230/460/575	8.1-7.6/3.8/3.0
3	3	208-230/460/575	8.1-7.6/3.8/3.0
5	3	208-230/460/575	13.2-12.0/6.0/4.8
5	3	208-230/460/575	13.2-12.0/6.0/4.8
5	3	208-230/460/575	13.2-12.0/6.0/4.8