

Submittal Data Sheet

Wilco MVI - Vertical Multistage Pumps

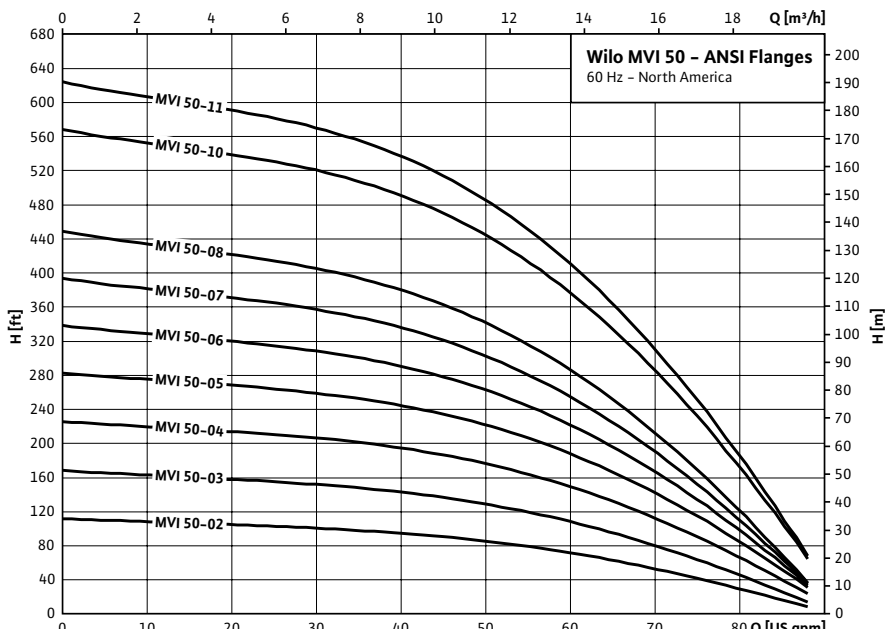


Wilco MVI 50



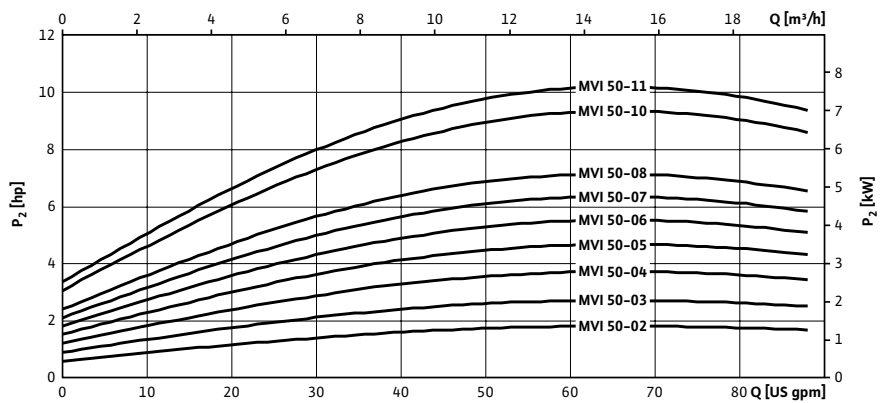
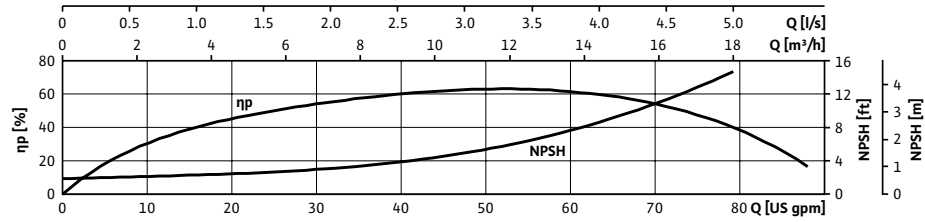
Project:	
Engineer:	
Contractor:	
Submitted By:	Date:
Approved By:	Date:

Tag #	Model #	Flow	Head	HP	Cycle	Phase	Voltage	RPM
					60Hz	3		3500



Technical Data	
Liquid Temp Range	5°F to 250°F (-15°C to 121°C)
Power Supply	3 ~ 208-230/460/575v
Ambient temperature limits	Maximum 104°F - <90% humidity (motor-dependent)
Flange Connection	2" 250# ANSI Not Included
Max suction pressure	140 PSI
Motor Options	TEFC Standard

Materials of Construction	
Pump volute	Stainless steel
Impeller	Stainless steel AISI 304 (1.4301)
Shaft	Stainless steel AISI 304 (1.4301)
Mechanical seal	Carbon/tungsten carbide, SiC/carbon, EPDM elastomers



Applications	
• Water supply & pressure boosting	• Washing and sprinkling systems
• Condensate return	• Process engineering
• Boiler feed	• Cooling-water circuits
• Geothermal	• Heating

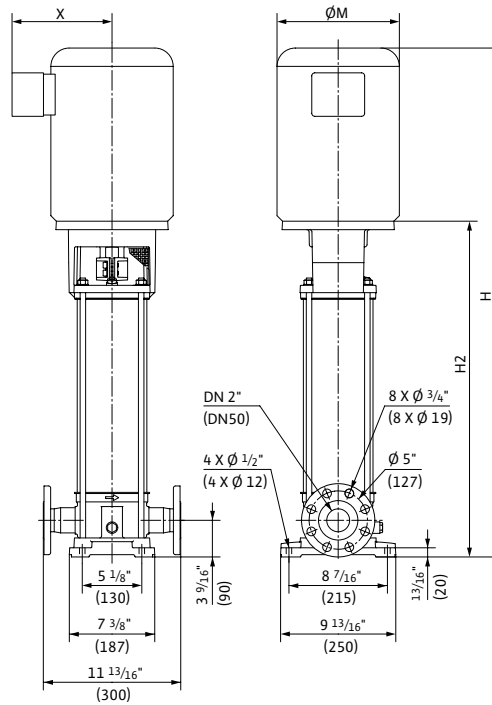
Approval Stamp

Submittal Data Sheet

Wilo MVI - Vertical Multistage Pumps



Dimensions & Weights



Dimensions and Weights

Model	Dimensions-inches (mm)								Weight	
	H		H ₂		M		X		lbs	kg
	in	(mm)	in	(mm)	in	(mm)	in	(mm)		
MVI 50-02	27 ¹ / ₈	(689)	14 ¹ / ₁₆	(358)	7 ³ / ₁₆	(183)	5 ³ / ₄	(146)	84.3	38.2
MVI 50-03	28 ¹¹ / ₁₆	(729)	15 ¹ / ₄	(388)	7 ³ / ₁₆	(183)	5 ³ / ₄	(146)	80.7	36.6
MVI 50-04	32 ⁵ / ₈	(829)	17 ³ / ₁₆	(437)	8 ¹ / ₂	(216)	6 ⁷ / ₈	(174)	116.2	52.7
MVI 50-05	33 ¹³ / ₁₆	(859)	18 ³ / ₈	(467)	8 ¹ / ₂	(216)	6 ⁷ / ₈	(174)	117.7	53.4
MVI 50-06	37 ⁷ / ₁₆	(951)	19 ⁹ / ₁₆	(497)	10 ¹ / ₄	(261)	8 ¹ / ₁₆	(204)	146.4	66.4
MVI 50-07	38 ⁵ / ₈	(981)	20 ³ / ₄	(527)	10 ¹ / ₄	(261)	8 ¹ / ₁₆	(204)	147.9	67.1
MVI 50-08	39 ¹³ / ₁₆	(1011)	21 ¹⁵ / ₁₆	(557)	10 ¹ / ₄	(261)	8 ¹ / ₁₆	(204)	149.5	67.8
MVI 50-10	42 ⁹ / ₁₆	(1081)	24 ⁵ / ₈	(626)	10 ¹ / ₄	(261)	8 ¹ / ₁₆	(204)	179.8	81.6
MVI 50-11	45 ³ / ₁₆	(1148)	27	(686)	10 ¹ / ₄	(261)	8 ¹ / ₁₆	(204)	182.9	83

TEFC Motor Data

P2	Phase	Voltage	FLA
2	3	208-230/460/575	6.2-5.8/2.9/2.2
3	3	208-230/460/575	8.1-7.6/3.8/3.0
5	3	208-230/460/575	13.2-12.0/6.0/4.8
5	3	208-230/460/575	13.2-12.0/6.0/4.8
7.5	3	208-230/460/575	19.0-17.2/8.6/7.0
7.5	3	208-230/460/575	19.0-17.2/8.6/7.0
7.5	3	208-230/460/575	19.0-17.2/8.6/7.0
10	3	208-230/460/575	26.2-23.8/11.9/9.2
10	3	208-230/460/575	26.2-23.8/11.9/9.2