

Submittal Data Sheet

Wilco MVI - Vertical Multistage Pumps

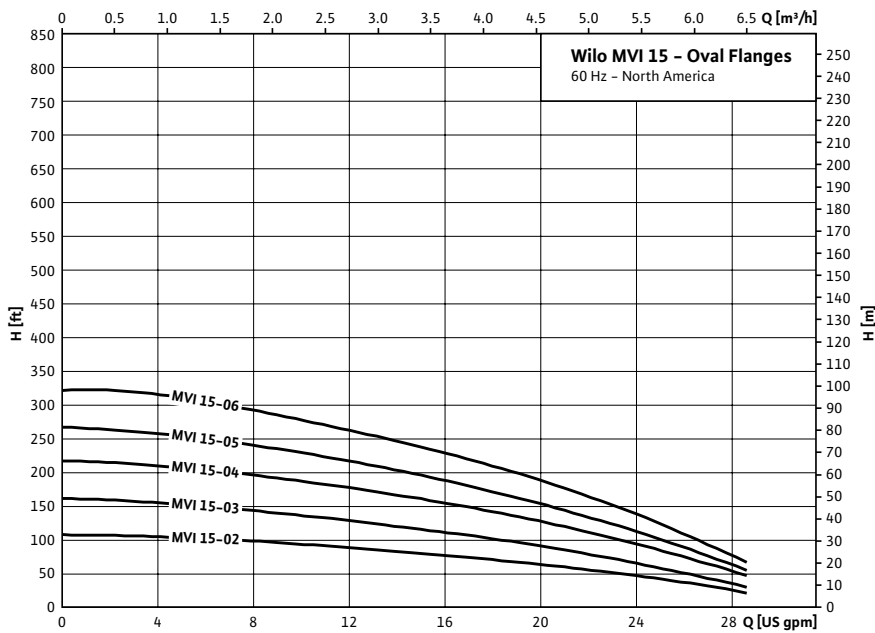


Wilco MVI 15

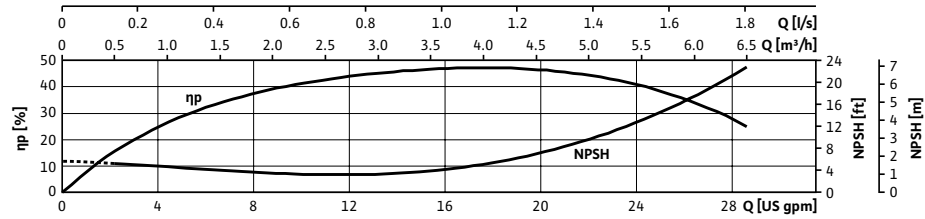


Project:	
Engineer:	
Contractor:	
Submitted By:	Date:
Approved By:	Date:

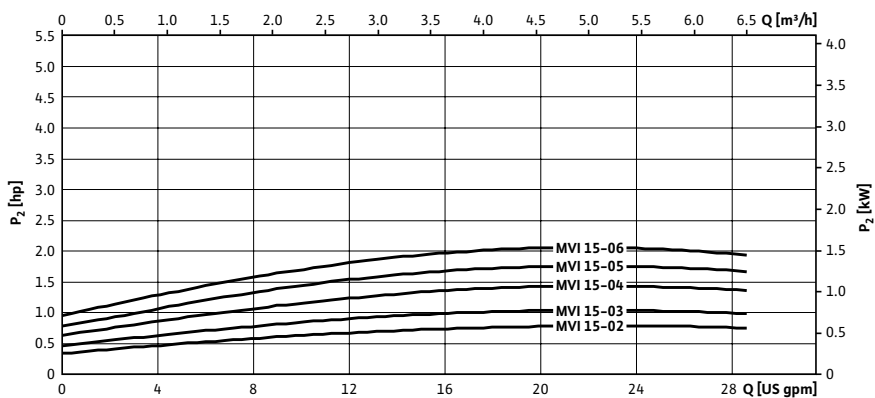
Tag #	Model #	Flow	Head	HP	Cycle	Phase	Voltage	RPM
					60Hz	1		3500



Technical Data	
Liquid Temp Range	5°F to 250°F (-15°C to 121°C)
Power Supply	1 ~ 115/230v
Ambient temperature limits	Maximum 104°F - <90% humidity (motor-dependent)
Flange Connection	1" FNPT Oval Flanges Included
Max suction pressure	140 PSI
Motor Options	TEFC Standard



Materials of Construction	
Pump volute	Stainless steel
Impeller	Stainless steel AISI 304 (1.4301)
Shaft	Stainless steel AISI 304 (1.4301)
Mechanical seal	Carbon/tungsten carbide, SiC/carbon, EPDM elastomers



Applications	
• Water supply & pressure boosting	• Washing and sprinkling systems
• Condensate return	• Process engineering
• Boiler feed	• Cooling-water circuits
• Geothermal	• Heating

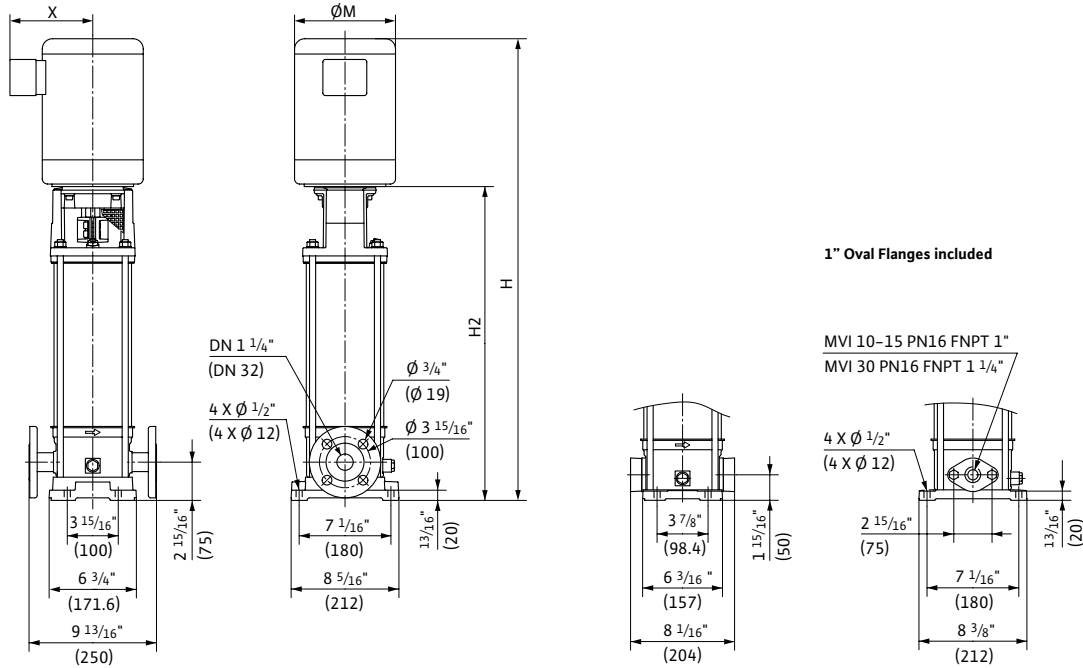
Approval Stamp

Submittal Data Sheet

Wilo MVI - Vertical Multistage Pumps



Dimensions & Weights



Dimensions and Weights

Model	Dimensions-inches (mm)								Weight	
	H		H ₂		M		X		lbs	kg
MVI 15-02	24 ^{7/8}	(632)	13 ^{5/8}	(346)	6 ^{3/16}	(157)	5 ^{3/16}	(132)	56.6	25.7
MVI 15-03	26 ^{1/16}	(662)	13 ^{5/8}	(346)	7 ^{3/16}	(183)	5 ^{3/4}	(146)	63.6	28.8
MVI 15-04	27	(686)	14 ^{9/16}	(370)	7 ^{3/16}	(183)	5 ^{3/4}	(146)	68.9	31.3
MVI 15-05	27 ^{15/16}	(710)	15 ^{1/2}	(394)	7 ^{3/16}	(183)	5 ^{3/4}	(146)	82.3	37.3
MVI 15-06	29 ^{7/8}	(759)	16 ^{7/16}	(418)	7 ^{3/16}	(183)	5 ^{3/4}	(146)	84.5	38.3

TEFC Motor Data

P2	Phase	Voltage	FLA
1	1	115/230	11.8/5.9
1	1	115/230	11.8/5.9
1.5	1	115/230	16.0/8.0
2	1	115/230	23.0/11.5
2	1	115/230	23.0/11.5