

Submittal Data Sheet

Wilco IL - Inline Centrifugal Circulators

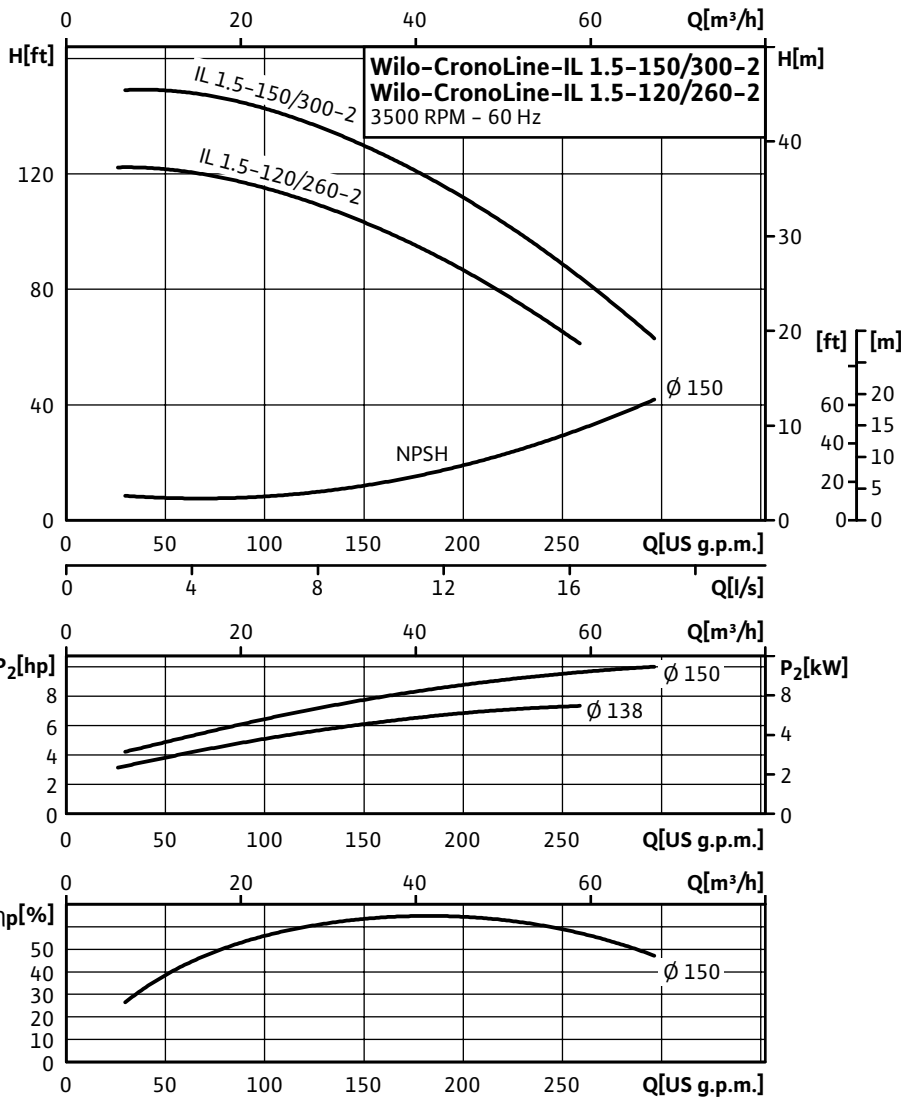


Wilco IL 1.5-120, 1.5-150 3500 RPM



Project:	
Engineer:	
Contractor:	
Submitted By:	Date:
Approved By:	Date:

Tag #	Model #	Flow	Head	HP	Cycle	Phase	Voltage	RPM
					60Hz			3,500 (2 Pole)



Technical Data

Temp Range:	-5 °F to + 285 °F (-20 °C to +140 °C)
Power Supply	3-208-230/460, 575 volt
Motor Options	TEFC, (ODP Opt), EPACK Rated
Flange Connection	1½" NPT with ¼" pressure gauge tapings
Max operating pressure:	250 PSI (16 bar)

Materials of Construction

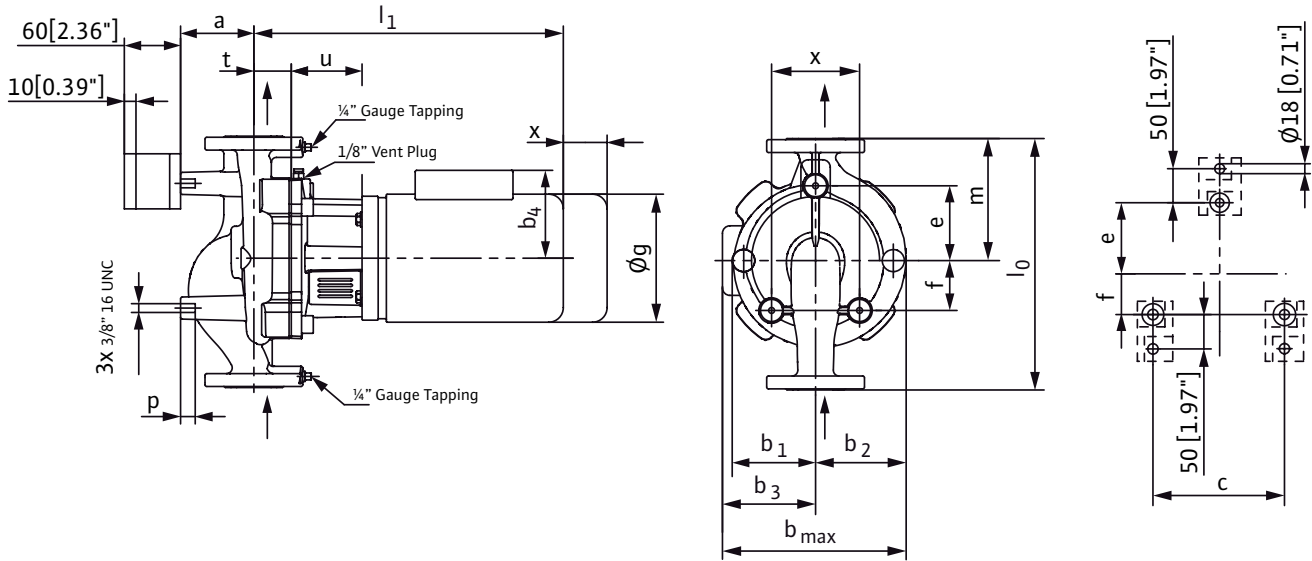
Pump volute	Cast Iron
Impeller	Bronze (cast iron optional)
Shaft	316L stainless steel
Mechanical seal	Q1Q1X4GG (silicium carbide seal faces, HNBR elastomers)

Applications

• Hot water heating systems	• Industrial circulation systems
• Air conditioning systems	• Solar Systems
• Closed cooling circuits	• Geothermal Systems

Approval Stamp

Dimensions & Weights

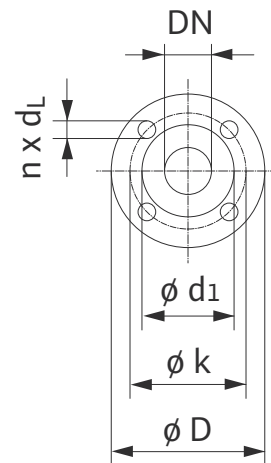


Dimensions and Weights

Model	Dimensions-inches (mm)																	Weight	
	Dia	l_0	a	b_1	b_2	b_3	b_4	b_{max}	c	e	f	ϕg	l_1	m	p	t	u		x
IL 1.5-120/260-2	1½	14½	¾	4½	5 ¹ / ₁₆	6 ⁷ / ₈	-	11 ¹⁵ / ₁₆	5 ¹ / ₈	5 ⁷ / ₈	2 ⁵ / ₁₆	8 ⁵ / ₈	22 ¹ / ₈	7	1 ³ / ₁₆	2 ⁹ / ₁₆	4 ³ / ₁₆	4	157 lbs
	1½	(368)	(82)	(114)	(129)	(175)	-	(304)	(130)	(149)	(58)	(218)	(563)	(178)	(20)	(65)	(107)	(102)	71 kg
IL 1.5-150/300-2	1½	14½	¾	4½	5 ¹ / ₁₆	7 ¹⁵ / ₁₆	-	13	5 ¹ / ₈	5 ⁷ / ₈	2 ⁵ / ₁₆	10 ³ / ₁₆	23 ⁹ / ₁₆	7	1 ³ / ₁₆	2 ⁹ / ₁₆	4 ³ / ₁₆	4	183 lbs
	1½	(368)	(82)	(114)	(129)	(201)	-	(330)	(130)	(149)	(58)	(259)	(598)	(178)	(20)	(65)	(107)	(102)	83 kg

Flange Dimensions

Dimensions - Inches (mm)				
DN	ϕD	ϕd_1	ϕk	$n \times d_L$
1.5	6 ¹ / ₈	3 ⁹ / ₁₆	3 ⁷ / ₈	4 x 5/8
	(155)	(90)	(99)	(4 x 16)



TEFC Motor Data

Model	P2	Phase	Voltage	FLA
	[HP]	[-]	[V]	[A]
IL 1.5-20/260-2	7.50	3	208-230/460	18-17.2/8.6
IL 1.5-130/200-2	7.50	3	208-230/460	18-17.2/8.6