

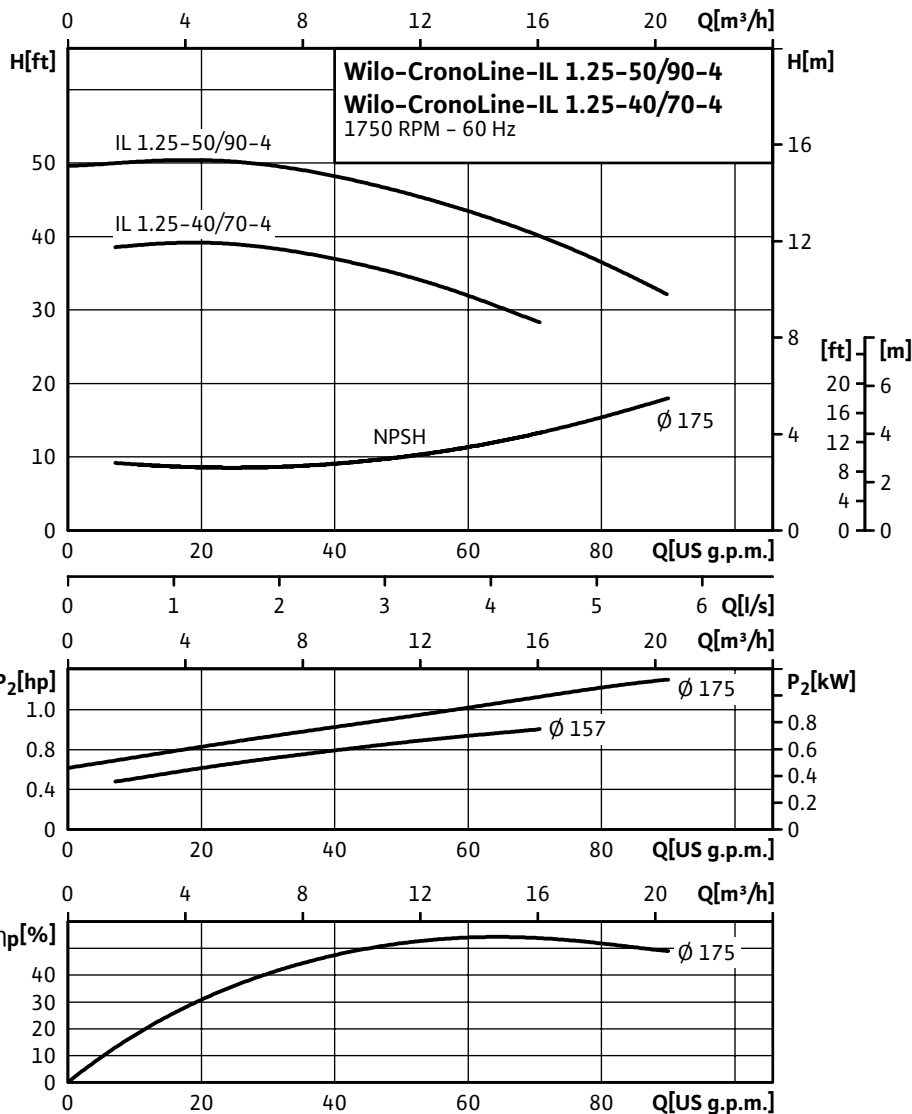
Submittal Data Sheet

Wilco IL - Inline Centrifugal Circulators



Wilco IL 1.25 1750 RPM

	Project:							
	Engineer:							
	Contractor:							
	Submitted By:				Date:			
	Approved By:				Date:			
Tag #	Model #	Flow	Head	HP	Cycle	Phase	Voltage	RPM
					60Hz			1,750 (4 Pole)



Technical Data

Temp Range:	-5 °F to +285 °F (-20 °C to +140 °C)
Power Supply	1-115/208-230 volt 3-208-230/460, 575 volt
Motor Options	TEFC, (ODP Opt), EPACK Rated
Flange Connection	1½" NPT with ¼" pressure gauge tappings
Max operating pressure:	250 PSI (16 bar)

Materials of Construction

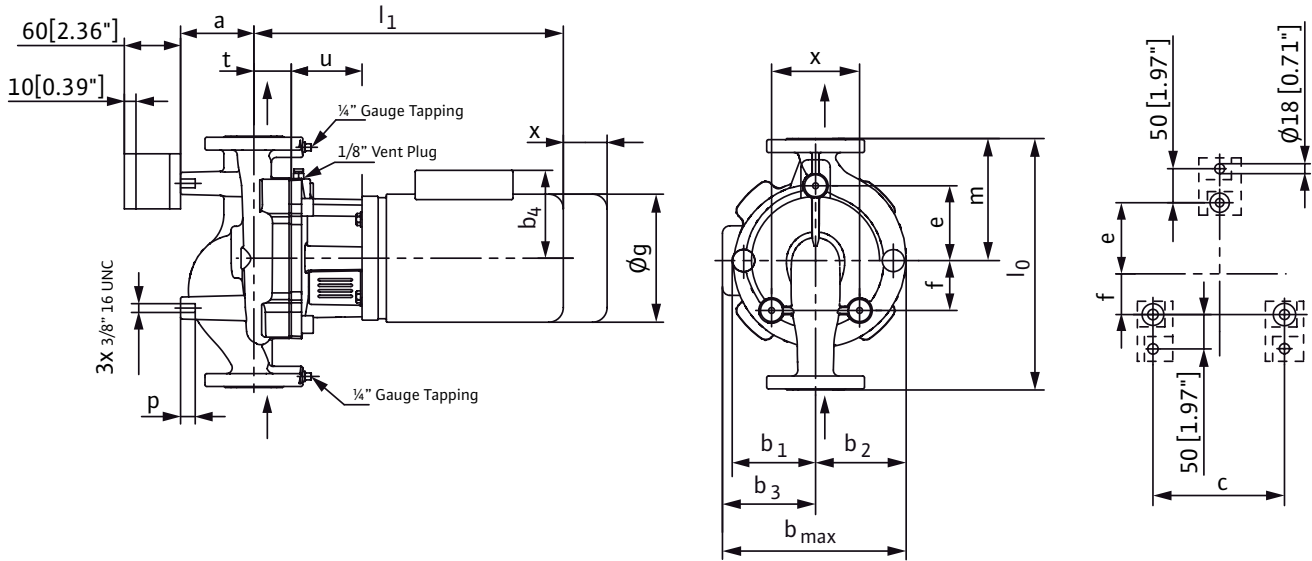
Pump volute	Cast Iron
Impeller	Bronze (cast iron optional)
Shaft	316L stainless steel
Mechanical seal	Q1Q1X4GG (silicium carbide seal faces, HNBR elastomers)

Applications

• Hot water heating systems	• Industrial circulation systems
• Air conditioning systems	• Solar Systems
• Closed cooling circuits	• Geothermal Systems

Approval Stamp

Dimensions & Weights

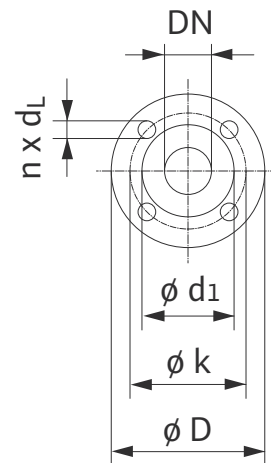


Dimensions and Weights

Model	Dia.	Dimensions-inches (mm)														Weight			
		l_0	a	b_1	b_2	b_3	b_4	b_{max}	c	e	f	ϕg	l_1	m	p		t	u	x
IL 1.25-40/70-4	1 1/4	13 1/2	3 15/16	4 1/2	4 7/8	5 5/8	5 1/2	10 1/2	4 3/4	4	2 11/16	7 3/16	16 7/8	6 9/16	13 1/16	2	3 13/16	4	95 lbs
		(343)	(100)	(114)	(124)	(143)	(139)	(267)	(120)	(102)	(68)	(183)	(431)	(166)	(20)	(51)	(97)	(102)	43 kg
IL 1.25-50/90-4	1 1/4	13 1/2	3 15/16	4 1/2	4 7/8	5 5/8	5 1/2	10 1/2	4 3/4	4	2 11/16	7 3/16	17 7/8	6 9/16	13 1/16	2	3 13/16	4	101 lbs
		(343)	(100)	(114)	(124)	(143)	(139)	(267)	(120)	(102)	(68)	(183)	(453)	(166)	(20)	(51)	(97)	(102)	46 kg

Flange Dimensions

Dimensions - Inches (mm)				
DN	ϕD	ϕd_1	ϕk	$n \times d_L$
1.25	5 1/4	3 1/16	3 1/2	4 x 5/8
	(133)	(78)	(89)	(4 x 16)



TEFC Motor Data

Model	P2	Phase	Voltage	FLA
	[HP]	[~]	[V]	[A]
IL 1.25-40/70-4	1	1	115 / 208-230	12.8/6.4
		3	208-230/460	3.7-3.4/1.7
IL 1.25-50/90-4	1.5	1	115 / 208-230	18/8
		3	208-230/460	4.5-4.2/2.1