

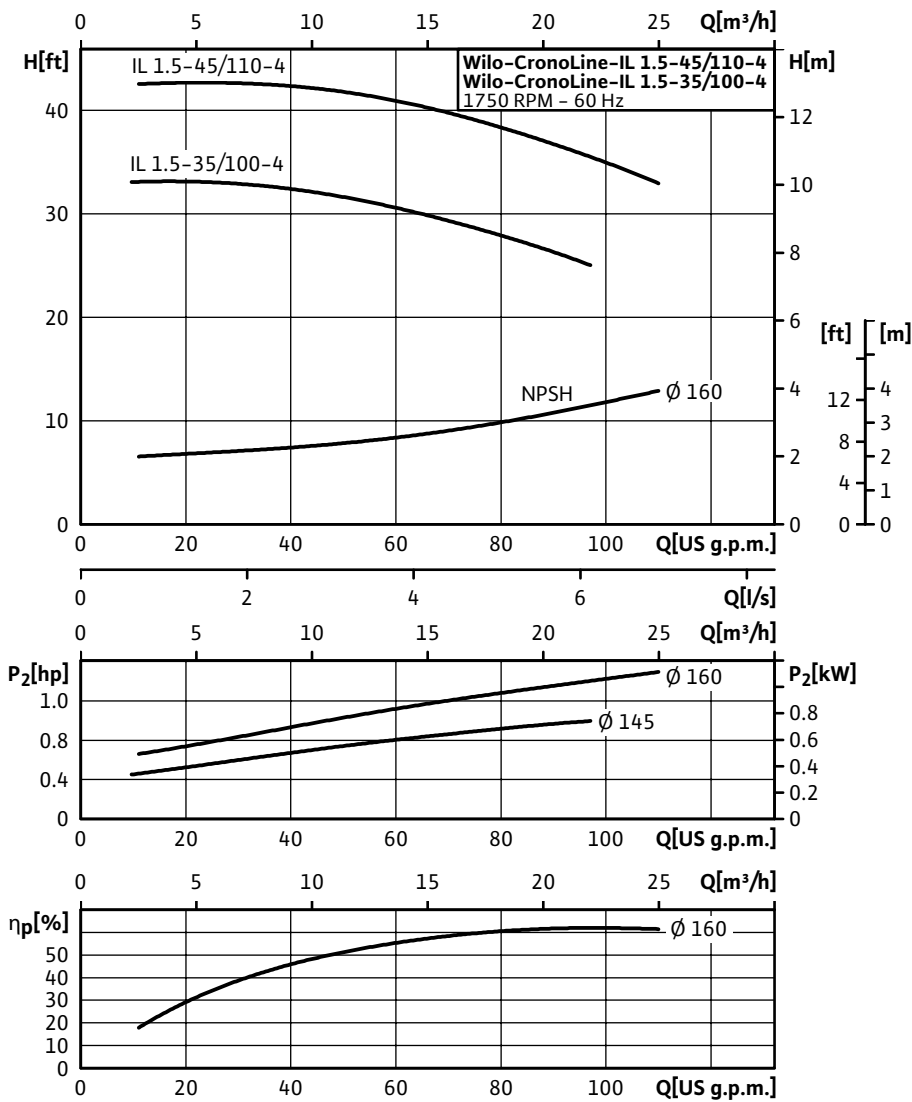
Submittal Data Sheet

Wilco IL - In-line Centrifugal Circulators



Wilco IL 1.5-35, 1.5-45 1750 RPM

	Project:							
	Engineer:							
	Contractor:							
	Submitted By:				Date:			
	Approved By:				Date:			
Tag #	Model #	Flow	Head	HP	Cycle	Phase	Voltage	RPM
					60Hz			1,750 (4 Pole)



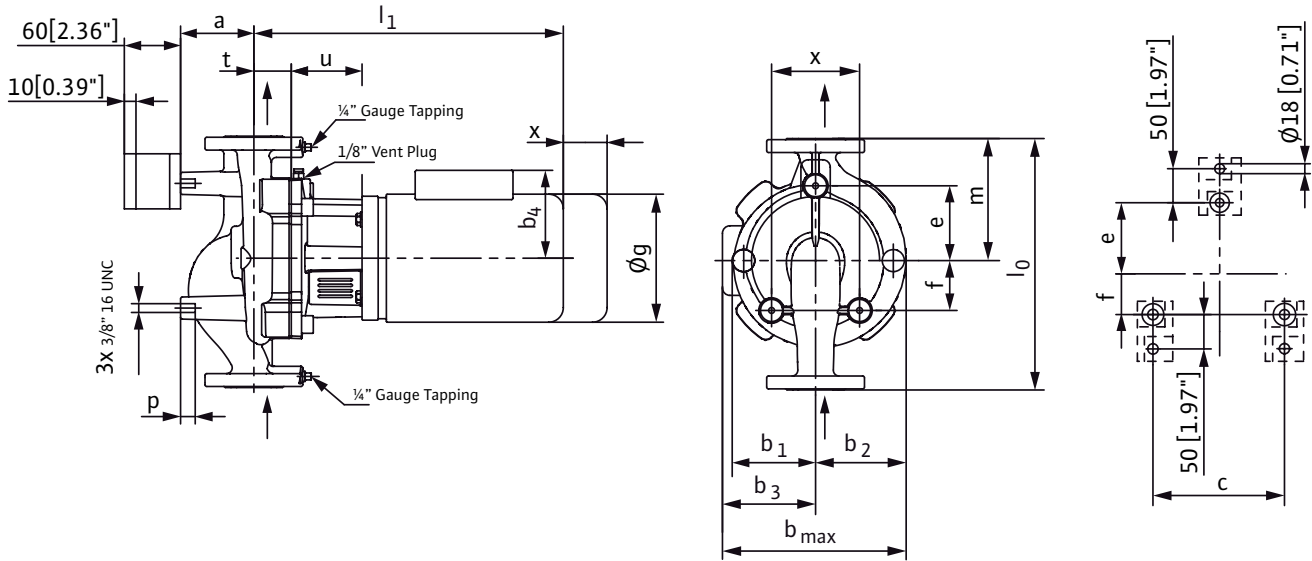
Technical Data	
Temp Range:	-5 °F to +285 °F (-20 °C to +140 °C)
Power Supply	1-115/208-230 volt 3-208-230/460, 575 volt
Motor Options	TEFC, (ODP Opt), EPACK Rated
Flange Connection	1½" NPT with ¼" pressure gauge tappings
Max operating pressure:	250 PSI (16 bar)

Materials of Construction	
Pump volute	Cast Iron
Impeller	Bronze (cast iron optional)
Shaft	316L stainless steel
Mechanical seal	Q1Q1X4GG (silicium carbide seal faces, HNBR elastomers)

Applications	
• Hot water heating systems	• Industrial circulation systems
• Air conditioning systems	• Solar Systems
• Closed cooling circuits	• Geothermal Systems

Approval Stamp

Dimensions & Weights

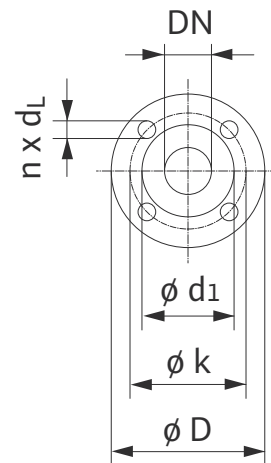


Dimensions and Weights

Model	Dia	Dimensions-inches (mm)														Weight			
		l_0	a	b_1	b_2	b_3	b_4	b_{max}	c	e	f	ϕg	l_1	m	p		t	u	x
IL 1.5-35/100-4	1½	14½	¾	4½	5 ¹ / ₁₆	5 ⁵ / ₈	5½	10 ¹¹ / ₁₆	5 ¹ / ₈	5 ⁷ / ₈	2 ⁵ / ₁₆	7 ³ / ₁₆	17½	7	1 ³ / ₁₆	2 ⁹ / ₁₆	3 ¹³ / ₁₆	4	99 lbs
	1½ (368)	(82)	(114)	(129)	(143)	(139)	(272)	(130)	(149)	(58)	(183)	(445)	(178)	20	(65)	(97)	(102)	45 kg	
IL 1.5-45/110-4	1½	14½	¾	4½	5 ¹ / ₁₆	5 ⁵ / ₈	5½	10 ¹¹ / ₁₆	5 ¹ / ₈	5 ⁷ / ₈	2 ⁵ / ₁₆	7 ³ / ₁₆	18 ³ / ₈	7	1 ³ / ₁₆	2 ⁹ / ₁₆	3 ¹³ / ₁₆	4	106 lbs
	1½ (368)	(82)	(114)	(129)	(143)	(139)	(272)	(130)	(149)	(58)	(183)	(467)	(178)	20	(65)	(97)	(102)	48 kg	

Flange Dimensions

Dimensions - Inches (mm)				
DN	ϕD	ϕd_1	ϕk	$n \times d_L$
1.5	6 ¹ / ₈	3 ⁹ / ₁₆	3 ⁷ / ₈	4 x 5/8
	(155)	(90)	(99)	(4 x 16)



TEFC Motor Data

Model	P2	Phase	Voltage V (A)	Current A (C)
	[HP]	[~]	[V]	[A]
IL 1.5-35/100-4	1	1	115 / 208-230	12.8/6.4
		3	208-230/460	3.7-3.4/1.7
IL 1.5-45/110-4	1.5	1	115 / 208-230	18/8
		3	208-230/460	4.5-4.2/2.1