

# Submittal Data Sheet

## Wilco IL - Inline Centrifugal Circulators

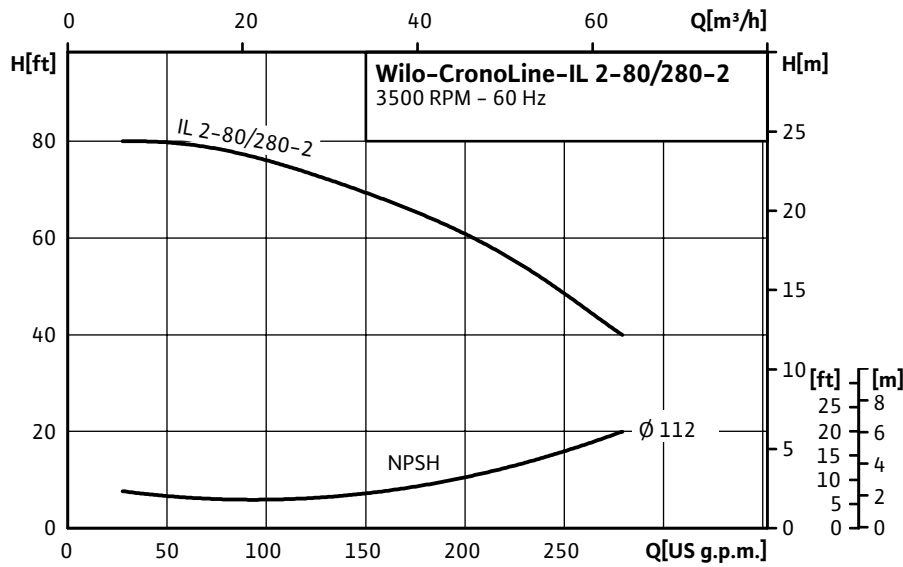


### Wilco IL 2-80 3500 RPM



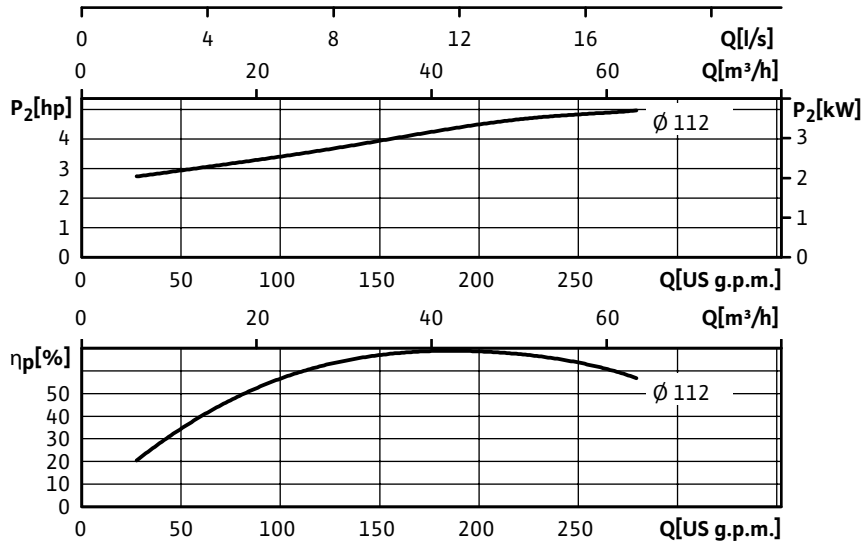
Project:	
Engineer:	
Contractor:	
Submitted By:	Date:
Approved By:	Date:

Tag #	Model #	Flow	Head	HP	Cycle	Phase	Voltage	RPM
					60Hz			3,500 (2 Pole)



Technical Data	
Temp Range:	-5 °F to +285 °F (-20 °C to +140 °C)
Power Supply	3~208-230/460, 575 volt
Motor Options	TEFC, (ODP Opt), EPACT Rated
Flange Connection	2" NPT with 1/4" pressure gauge tappings
Max operating pressure:	250 PSI (16 bar)

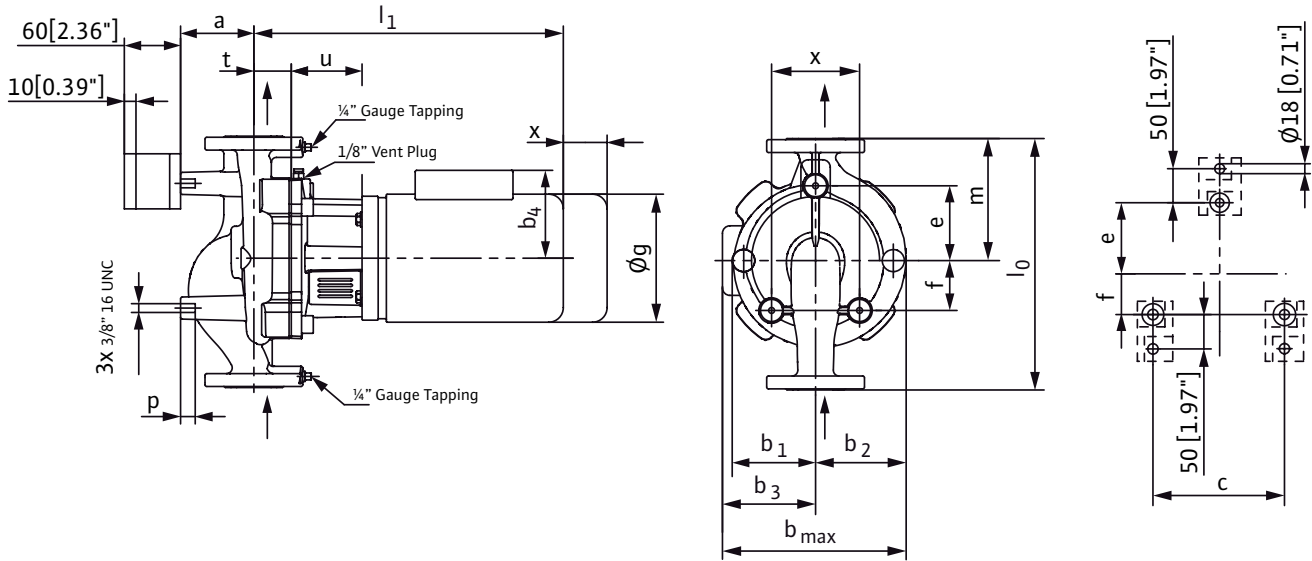
Materials of Construction	
Pump volute	Cast Iron
Impeller	Bronze (cast iron optional)
Shaft	316L stainless steel
Mechanical seal	Q1Q1X4GG (silicium carbide seal faces, HNBR elastomers)



Applications	
• Hot water heating systems	• Industrial circulation systems
• Air conditioning systems	• Solar Systems
• Closed cooling circuits	• Geothermal Systems

Approval Stamp

Dimensions & Weights

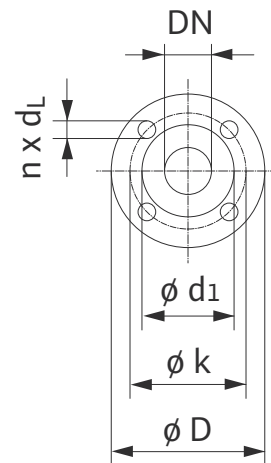


Dimensions and Weights

Model	Dia	Dimensions-inches (mm)																	Weight
		$l_0$	$a$	$b_1$	$b_2$	$b_3$	$b_4$	$b_{max}$	$c$	$e$	$f$	$\phi g$	$l_1$	$m$	$p$	$t$	$u$	$x$	
IL 2-80/280-2	2	14½	4⅞	4	4 <sup>11/16</sup>	6 <sup>3/8</sup>	-	11 <sup>1/16</sup>	5½	3 <sup>7/8</sup>	2 <sup>1/8</sup>	8 <sup>5/8</sup>	21¼	6 <sup>5/8</sup>	1 <sup>3/16</sup>	2 <sup>3/8</sup>	4	3 <sup>15/16</sup>	146 lbs
	2	(368)	(105)	(102)	(119)	(162)	-	(281)	(140)	(99)	(54)	(218)	(552)	(169)	(20)	(60)	(101)	(100)	66 kg

Flange Dimensions

Dimensions - Inches (mm)				
DN	$\phi D$	$\phi d_1$	$\phi k$	$n \times d_L$
2	6½	4 <sup>3/16</sup>	4¾	4 x ¾
	(165)	(106)	(121)	(4 x 19)



TEFC Motor Data

Model	P2	Phase	Voltage	FLA
	[HP]	[-]	[V]	[A]
IL 2-80/280-2	5	3	208-230/460	13-12/6