

Submittal Data Sheet

Wilo IL - Inline Centrifugal Circulators

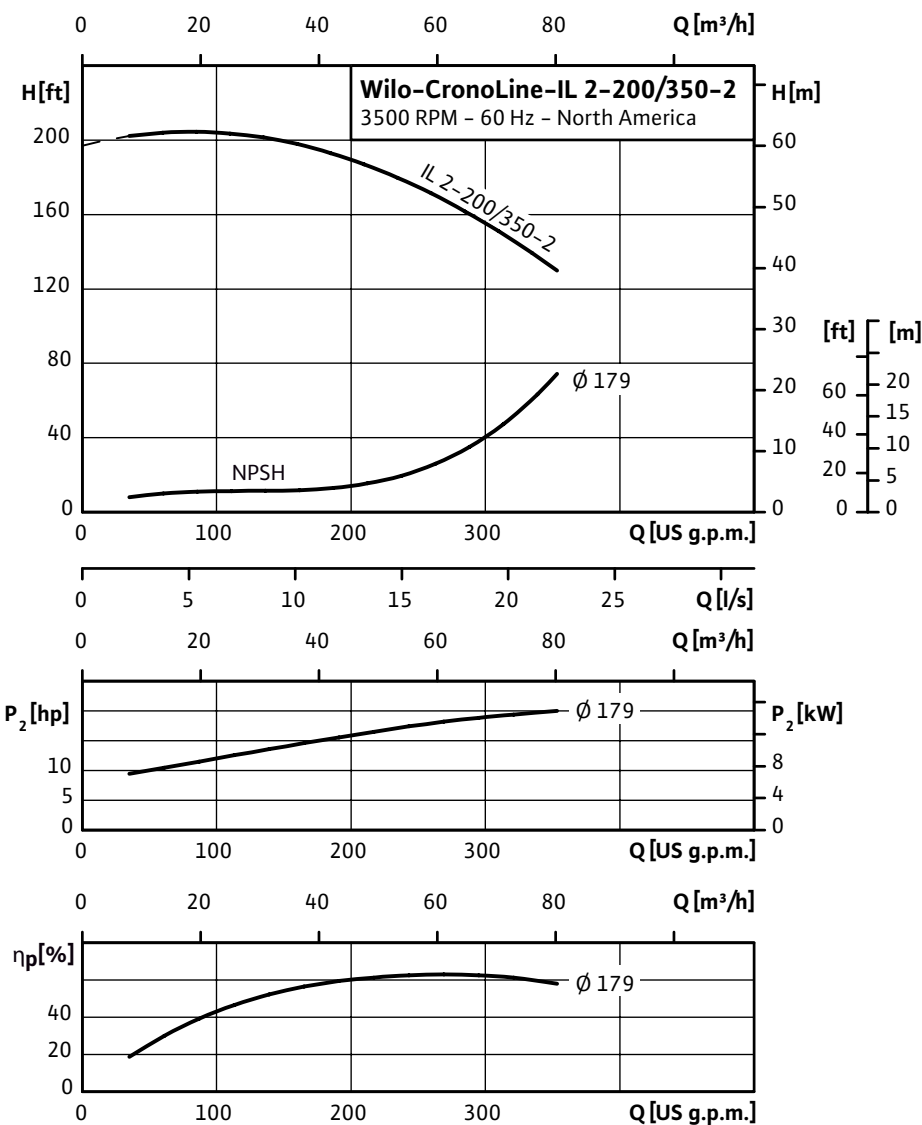


Wilo IL 2-200 3500 RPM



Project:	
Engineer:	
Contractor:	
Submitted By:	Date:
Approved By:	Date:

Tag #	Model #	Flow	Head	HP	Cycle	Phase	Voltage	RPM
					60Hz			3,500 (2 Pole)



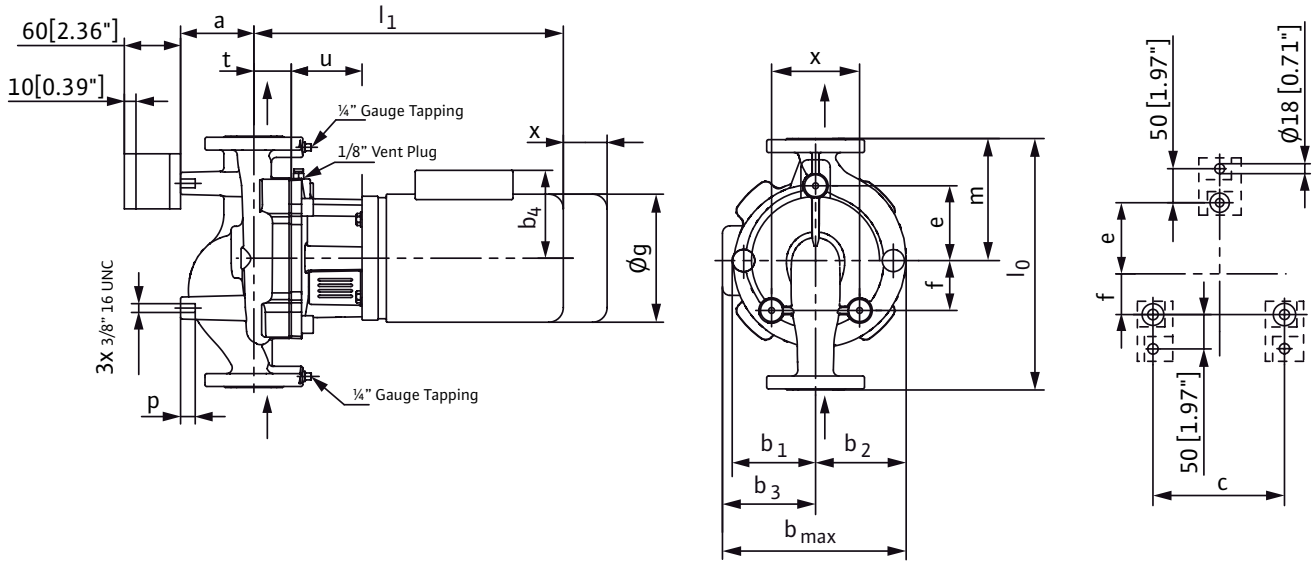
Technical Data	
Temp Range:	-5 °F to + 285 °F (-20 °C to +140 °C)
Power Supply	3-208-230/460, 575 volt
Motor Options	TEFC, (ODP Opt), EPACK Rated
Flange Connection	2" NPT with 1/4" pressure gauge tapings
Max operating pressure:	250 PSI (16 bar)

Materials of Construction	
Pump volute	Cast Iron
Impeller	Bronze (cast iron optional)
Shaft	316L stainless steel
Mechanical seal	Q1Q1X4GG (silicium carbide seal faces, HNBR elastomers)

Applications	
• Hot water heating systems	• Industrial circulation systems
• Air conditioning systems	• Solar Systems
• Closed cooling circuits	• Geothermal Systems

Approval Stamp

Dimensions & Weights

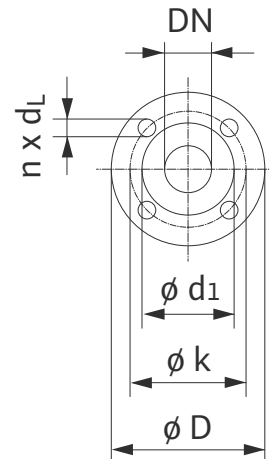


Dimensions and Weights

Model	Dia	Dimensions—inches (mm)																	Weight
		l_0	a	b_1	b_2	b_3	b_4	b_{max}	c	e	f	ϕg	l_1	m	p	t	u	x	
IL 2-200/350-2	2	17½	4¾	5 ¹¹ / ₁₆	5 ⁷ / ₈	8 ³ / ₁₆	-	14 ¹ / ₁₆	6 ⁵ / ₁₆	5 ³ / ₁₆	2¾	10 ³ / ₁₆	25 ⁷ / ₁₆	7 ¹⁵ / ₁₆	1 ³ / ₁₆	2 ³ / ₈	6 ⁵ / ₈	4	260 lbs
	2	(444)	(120)	(145)	(150)	(207)	-	(357)	(160)	(132)	(70)	(259)	(646)	(202)	(20)	(61)	(168)	(102)	118 kg

Flange Dimensions

Dimensions - Inches (mm)				
DN	ϕD	ϕd_1	ϕk	$n \times d_L$
2	6½	4 ³ / ₁₆	4¾	4 x ¾
	(165)	(106)	(121)	(4 x 19)



TEFC Motor Data

Model	P2	Phase	Voltage	FLA
	[HP]	[~]	[V]	[A]
IL 2-200/350-2	20	3	208-230/460	50.1-46/23