

Submittal Data Sheet

Wilo IL - Inline Centrifugal Circulators

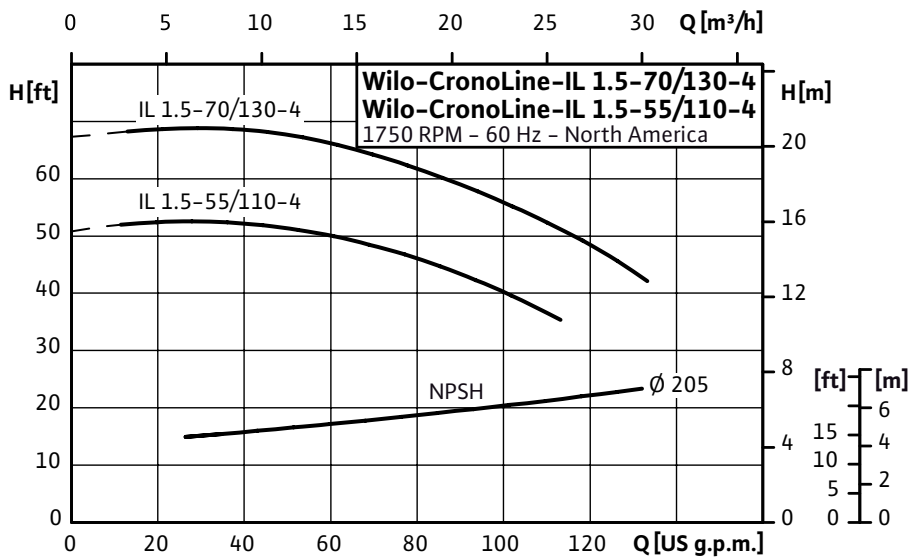


Wilo IL 1.5-55, 1.5-70 1750 RPM



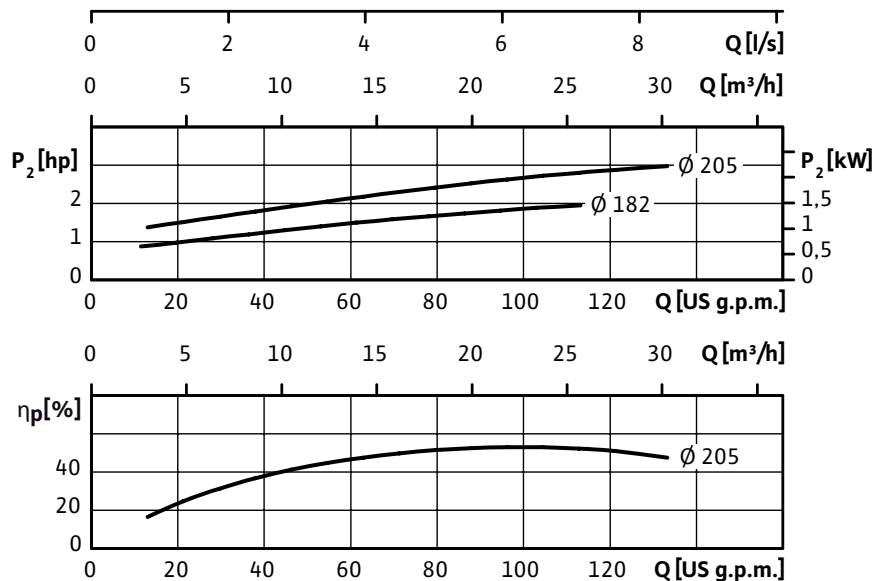
Project:	
Engineer:	
Contractor:	
Submitted By:	Date:
Approved By:	Date:

Tag #	Model #	Flow	Head	HP	Cycle	Phase	Voltage	RPM
					60Hz			1,750 (4 Pole)



Technical Data	
Temp Range:	-5 °F to + 285 °F (-20 °C to +140 °C)
Power Supply	1-115/208-230 volt 3-208-230/460, 575 volt
Motor Options	TEFC, (ODP Opt), EPACKT Rated
Flange Connection	1½" NPT with ¼" pressure gauge tappings
Max operating pressure:	250 PSI (16 bar)

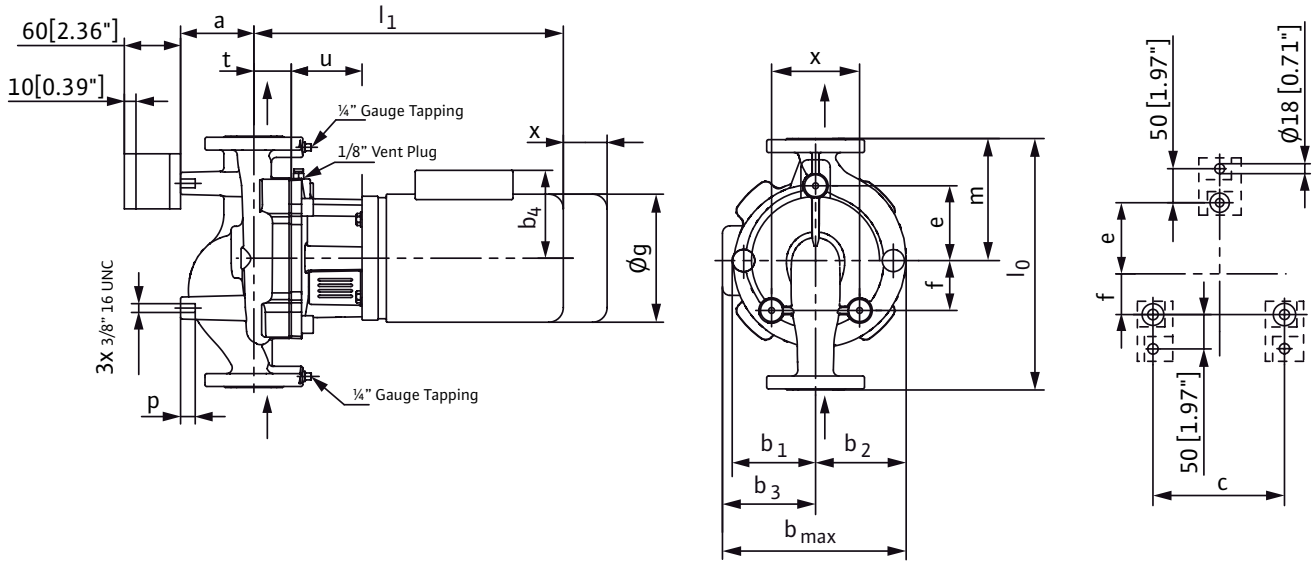
Materials of Construction	
Pump volute	Cast Iron
Impeller	Bronze (cast iron optional)
Shaft	316L stainless steel
Mechanical seal	Q1Q1X4GG (silicium carbide seal faces, HNBR elastomers)



Applications	
• Hot water heating systems	• Industrial circulation systems
• Air conditioning systems	• Solar Systems
• Closed cooling circuits	• Geothermal Systems

Approval Stamp

Dimensions & Weights

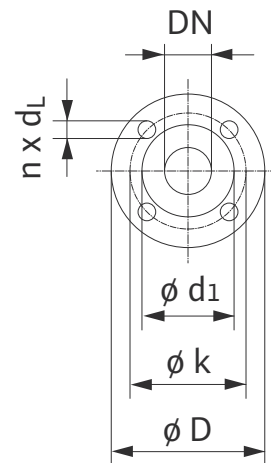


Dimensions and Weights

Model	Dia	Dimensions-inches (mm)																	Weight
		l_0	a	b_1	b_2	b_3	b_4	b_{max}	c	e	f	ϕg	l_1	m	p	t	u	x	
IL 1.5-55/110-4	1½	17	4 ⁵ / ₁₆	5 ¹¹ / ₁₆	5 ⁷ / ₈	5 ⁵ / ₈	5½	11½	7 ¹ / ₁₆	5 ³ / ₈	3 ¹ / ₁₆	7 ³ / ₁₆	19 ¹ / ₈	8	1 ³ / ₁₆	2 ³ / ₈	4 ¹¹ / ₁₆	4	137 lbs
	1½ (432)	(110)	(145)	(149)	(143)	(140)	(292)	(180)	(137)	(78)	(182)	(485)	(203)	(20)	(60)	(119)	(102)	62 kg	
IL 1.5-70/130-4	1½	17	4 ⁵ / ₁₆	5 ¹¹ / ₁₆	5 ⁷ / ₈	5 ⁵ / ₈	-	11½	7 ¹ / ₁₆	5 ³ / ₈	3 ¹ / ₁₆	7 ³ / ₁₆	19 ¹ / ₈	8	1 ³ / ₁₆	2 ³ / ₈	4 ¹¹ / ₁₆	4	141 lbs
	1½ (432)	(110)	(145)	(149)	(143)	-	(292)	(180)	(137)	(78)	(182)	(485)	(203)	(20)	(60)	(119)	(102)	64 kg	

Flange Dimensions

Dimensions - Inches (mm)				
DN	ϕD	ϕd_1	ϕk	$n \times d_L$
1.5	6 ¹ / ₈	3 ⁹ / ₁₆	3 ⁷ / ₈	4 x 5/8
	(155)	(90)	(99)	(4 x 16)



Motor Data

Model	P2	Phase	Voltage	FLA
	[HP]	[~]	[V]	[A]
IL 1.5-55/110-4	2	1	115/208-230	23/11.5
		3	208-230/460	6.5-6.2/3.1
IL 1.5-70/130-4	2	3	208-230/460	8.5-8.2/4.1