

Submittal Data Sheet

Wilco IL - Inline Centrifugal Circulators

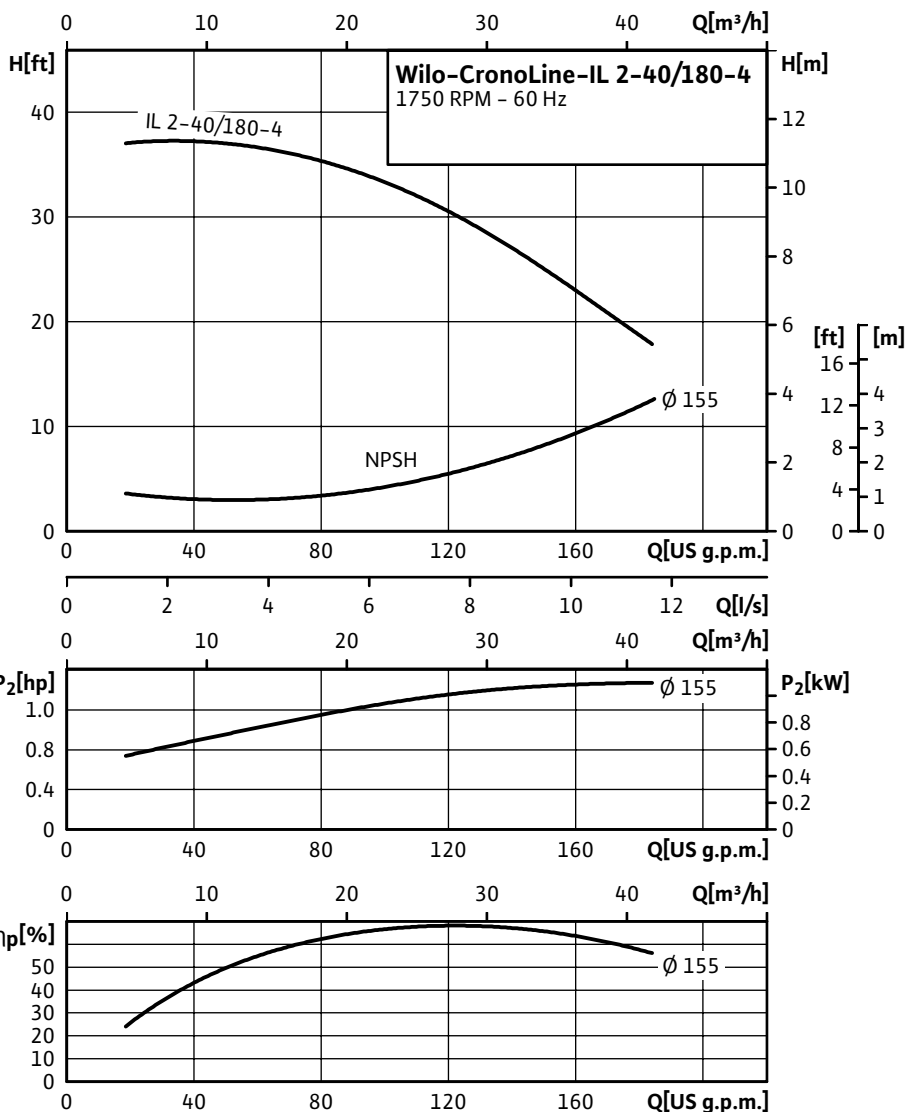


Wilo IL 2-40 1750 RPM



Project:	
Engineer:	
Contractor:	
Submitted By:	Date:
Approved By:	Date:

Tag #	Model #	Flow	Head	HP	Cycle	Phase	Voltage	RPM
					60Hz			1,750 (4 Pole)



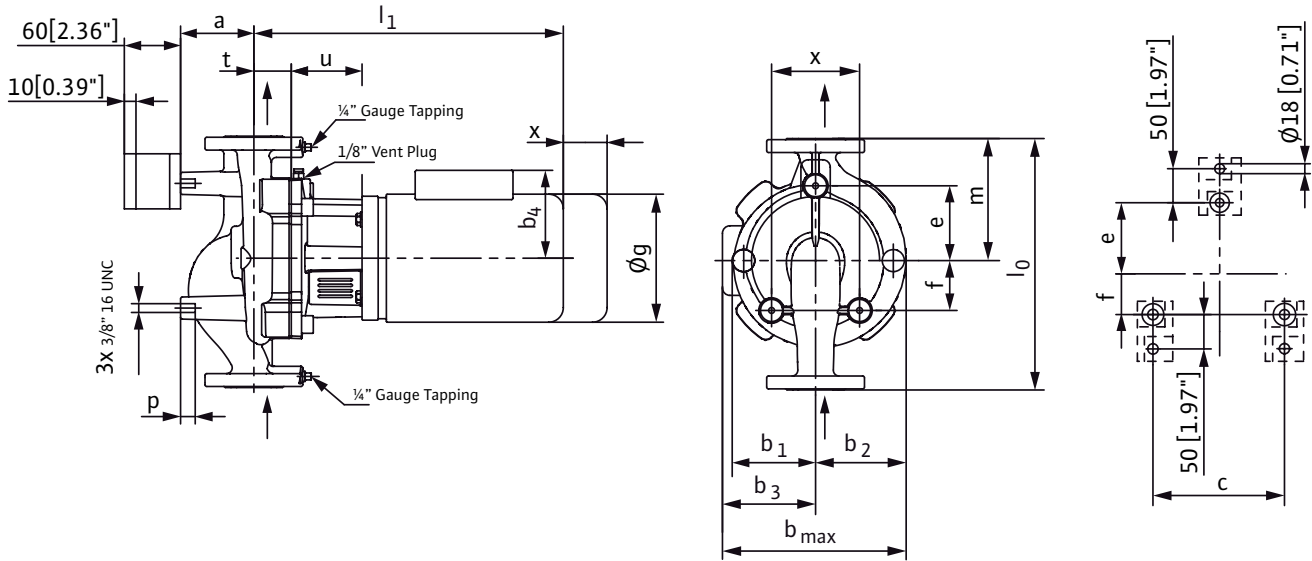
Technical Data	
Temp Range:	-5 °F to +285 °F (-20 °C to +140 °C)
Power Supply	1-115/208-230 volt 3-208-230/460, 575 volt
Motor Options	TEFC, (ODP Opt), EPACT Rated
Flange Connection	2" NPT with ¼" pressure gauge tapings
Max operating pressure:	250 PSI (16 bar)

Materials of Construction	
Pump volute	Cast Iron
Impeller	Bronze (cast iron optional)
Shaft	316L stainless steel
Mechanical seal	Q1Q1X4GG (silicium carbide seal faces, HNBR elastomers)

Applications	
• Hot water heating systems	• Industrial circulation systems
• Air conditioning systems	• Solar Systems
• Closed cooling circuits	• Geothermal Systems

Approval Stamp

Dimensions & Weights



Dimensions and Weights

Model	Dia	Dimensions-inches (mm)																	Weight
		l_0	a	b_1	b_2	b_3	b_4	b_{max}	c	e	f	ϕg	l_1	m	p	t	u	x	
IL 2-40/180-4	2	15	3 ⁹ / ₁₆	4 ³ / ₄	5 ¹ / ₂	5 ¹ / ₁₆	5 ¹ / ₂	10 ⁹ / ₁₆	6 ⁷ / ₁₆	4 ⁵ / ₈	1 ⁷ / ₈	7 ³ / ₁₆	18 ⁹ / ₁₆	7 ⁵ / ₁₆	1 ³ / ₁₆	2 ¹³ / ₁₆	4 ⁹ / ₁₆	4	115 lbs
	2	(381)	(90)	(120)	(139)	(129)	(139)	(268)	(164)	(117)	(48)	(183)	(472)	(186)	(20)	(72)	(116)	(102)	52 kg

Flange Dimensions

Dimensions - Inches (mm)				
DN	ϕD	ϕd_1	ϕk	$n \times d_L$
2	6 ¹ / ₂	4 ³ / ₁₆	4 ³ / ₄	4 x 3/4
	(165)	(106)	(121)	(4 x 19)

TEFC Motor Data

Model	P2	Phase	Voltage	FLA
	[HP]	[~]	[V]	[A]
IL 2-40/180-4	1.5	1	115 / 208-230	18/8
		3	208-230/460	4.5-4.2/2.1

