

# Submittal Data Sheet

## Wilco IL - Inline Centrifugal Circulators

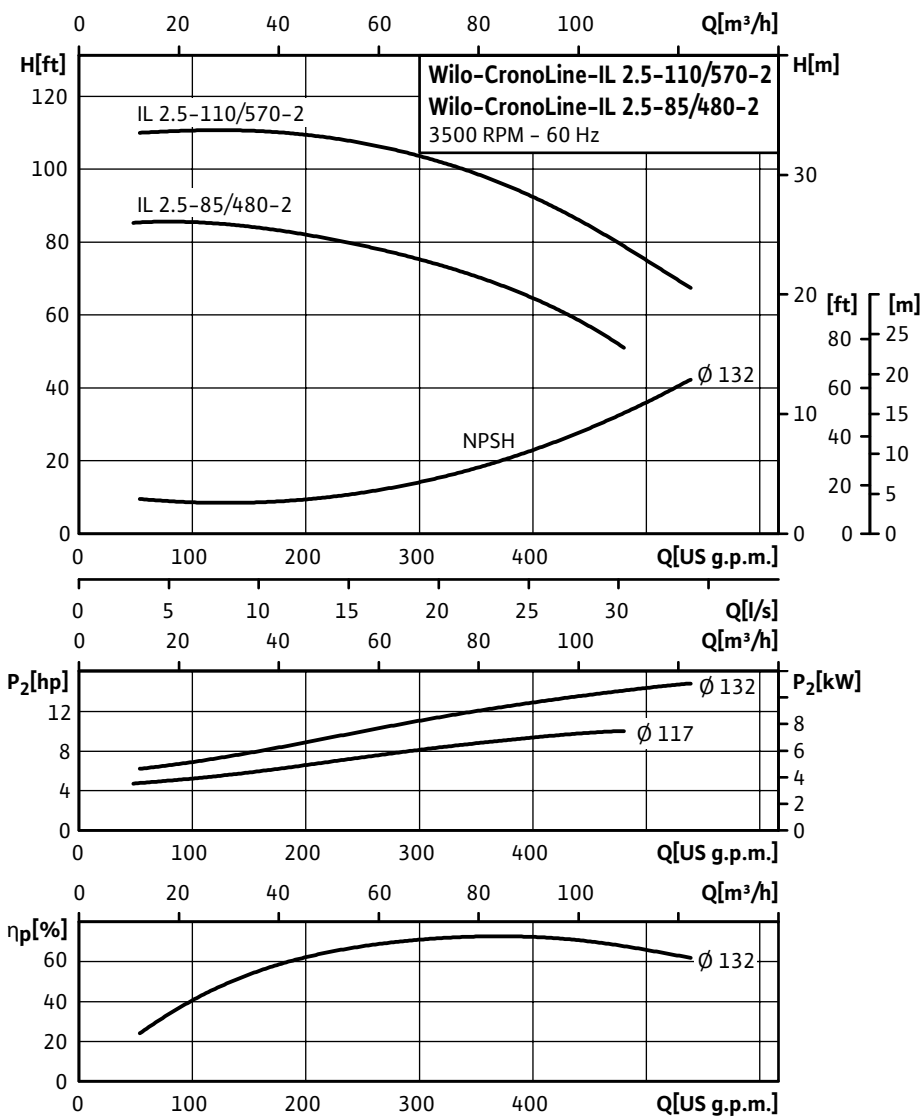


### Wilco IL 2.5-85, 2.5-110 3500 RPM



Project:	
Engineer:	
Contractor:	
Submitted By:	Date:
Approved By:	Date:

Tag #	Model #	Flow	Head	HP	Cycle	Phase	Voltage	RPM
					60Hz			3,500 (2 Pole)



**Technical Data**

Temp Range:	-5 °F to +285 °F (-20 °C to +140 °C)
Power Supply	3-208-230/460, 575 volt
Motor Options	TEFC, (ODP Opt), EPACK Rated
Flange Connection	2½" NPT with ¼" pressure gauge tappings
Max operating pressure:	250 PSI (16 bar)

**Materials of Construction**

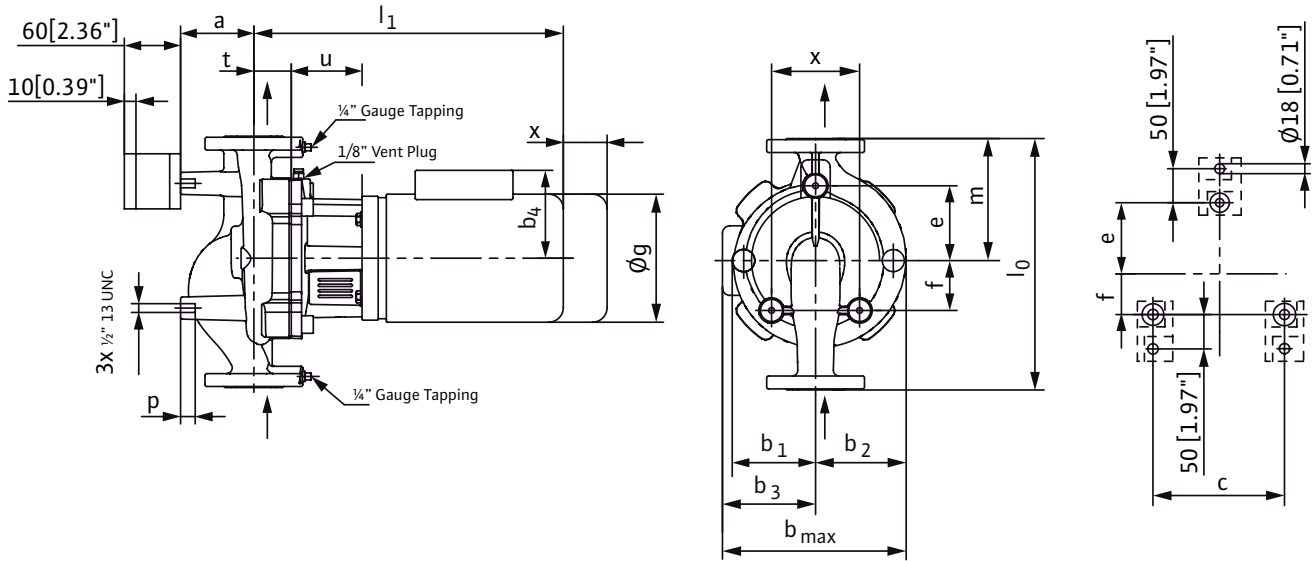
Pump volute	Cast iron
Impeller	Bronze (cast iron optional)
Shaft	316L stainless steel
Mechanical seal	Q1Q1X4GG (silicium carbide seal faces, HNBR elastomers)

**Applications**

- Hot water heating systems
- Industrial circulation systems
- Air conditioning systems
- Solar Systems
- Closed cooling circuits
- Geothermal Systems

Approval Stamp

### Dimensions & Weights

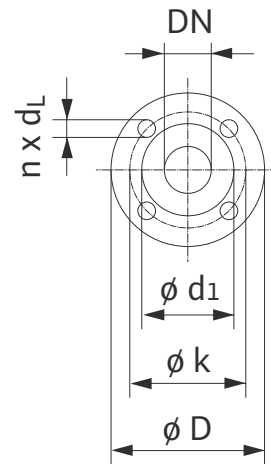


### Dimensions and Weights

Model	Dia	Dimensions-inches (mm)																	Weight
		$l_0$	a	$b_1$	$b_2$	$b_3$	$b_4$	$b_{max}$	c	e	f	$\phi g$	$l_1$	m	p	t	u	x	
IL 2.5-85/480-2	2.5	15	4 3/4	4 7/16	5 1/4	7 15/16	-	13 3/16	5 1/2	3 15/16	2 3/8	10 3/16	24 5/8	7	1 3/16	2 15/16	4 15/16	5	209 lbs
	2.5	(381)	(120)	(112)	(134)	(201)	-	(335)	(140)	(100)	(60)	(259)	(626)	(178)	(20)	(75)	(126)	(127)	95 kg
IL 2.5-110/570-2	2.5	15	4 3/4	4 7/16	5 1/4	7 15/16	-	13 3/16	5 1/2	3 15/16	2 3/8	10 3/16	25 5/8	7	1 3/16	2 15/16	4 15/16	5	216 lbs
	2.5	(381)	(120)	(112)	(134)	(201)	-	(335)	(140)	(100)	(60)	(259)	(652)	(178)	(20)	(75)	(126)	(127)	98 kg

### Flange Dimensions

Dimensions - Inches (mm)				
DN	$\phi D$	$\phi d_1$	$\phi k$	n x $d_L$
2.5	4 5/16	4 15/16	5 1/2	4 x 3/4
	(110)	(126)	(140)	(4 x 19)



### TEFC Motor Data

Model	P2	Phase	Voltage V (A)	Current A (C)
	[HP]	[-]	[V]	[A]
IL 2.5-85/480-2	10	3	208-230/460	25-23/11.5
IL 2.5-110/570-2	15	3	208-230/460	37.5-34/17