

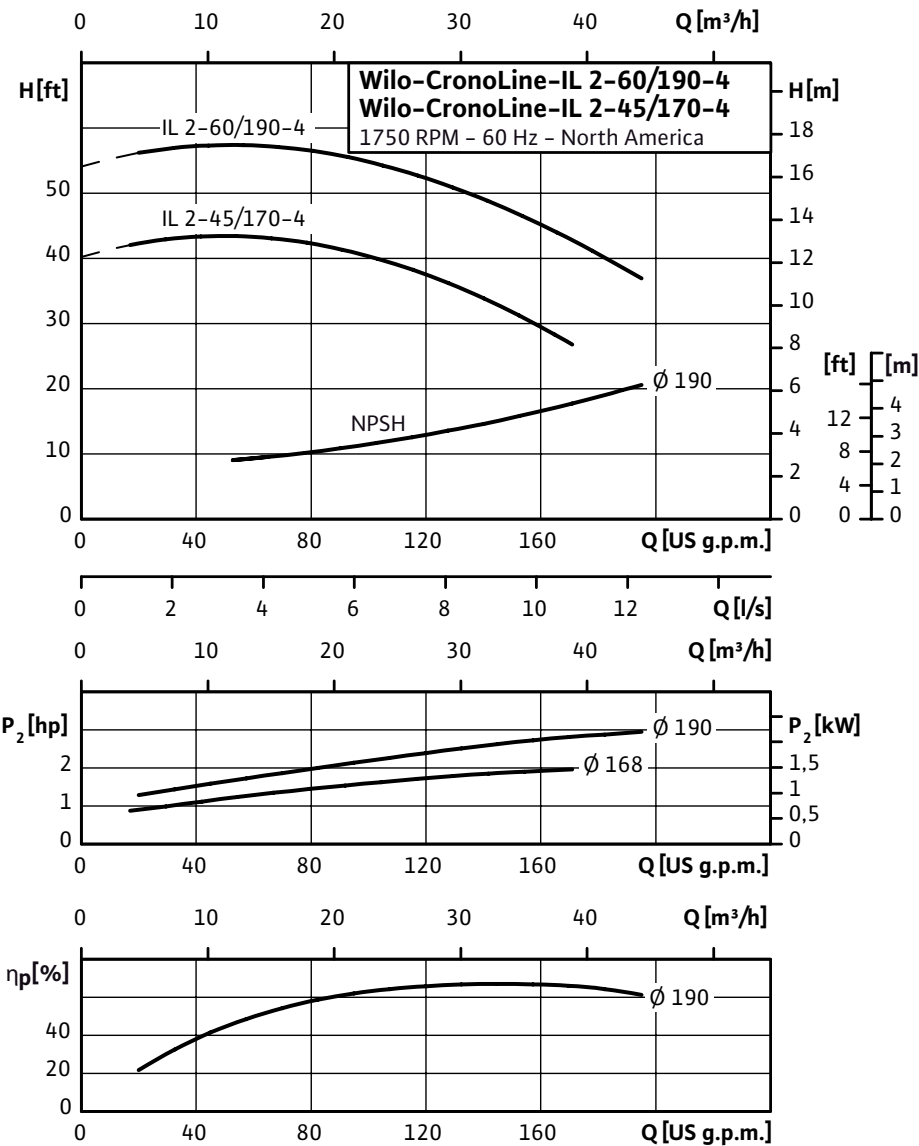
Submittal Data Sheet

Wilco IL - Inline Centrifugal Circulators



Wilco IL 2-45, 2-60 1750 RPM

	Project:							
	Engineer:							
	Contractor:							
	Submitted By:				Date:			
	Approved By:				Date:			
Tag #	Model #	Flow	Head	HP	Cycle	Phase	Voltage	RPM
					60Hz			1,750 (4 Pole)



Technical Data

Temp Range:	-5 °F to + 285 °F (-20 °C to +140 °C)
Power Supply	1-115/208-230 volt 3-208-230/460, 575 volt
Motor Options	TEFC, (ODP Opt), EPACK Rated
Flange Connection	2" NPT with ¼" pressure gauge tappings
Max operating pressure:	250 PSI (16 bar)

Materials of Construction

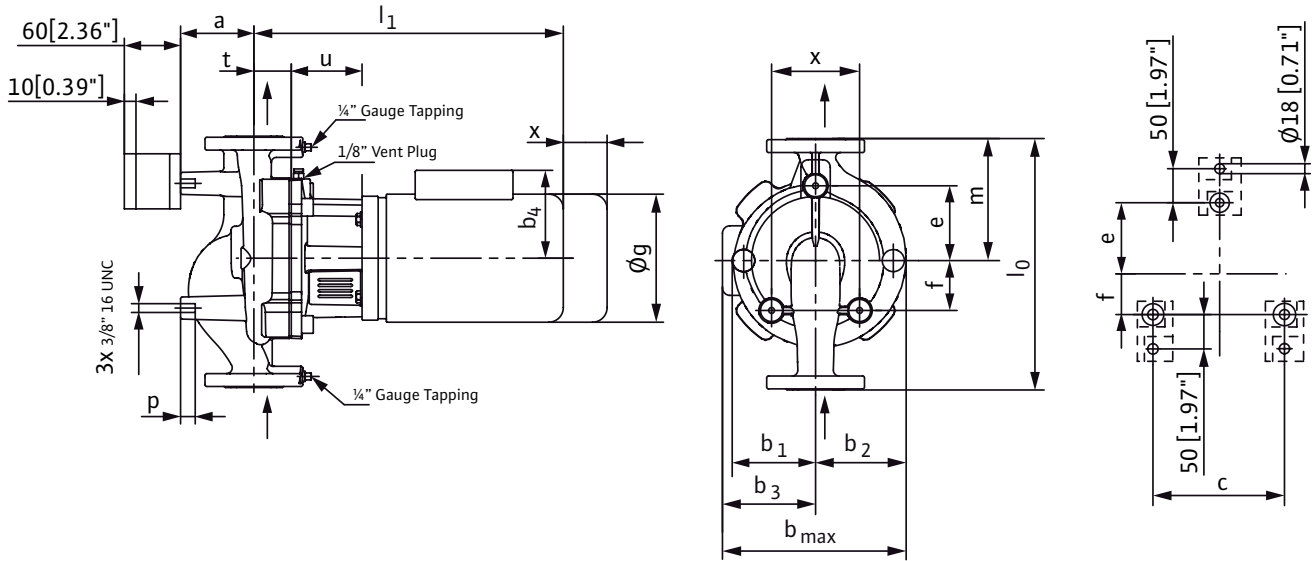
Pump volute	Cast Iron
Impeller	Bronze (cast iron optional)
Shaft	316L stainless steel
Mechanical seal	Q1Q1X4GG (silicium carbide seal faces, HNBR elastomers)

Applications

• Hot water heating systems	• Industrial circulation systems
• Air conditioning systems	• Solar Systems
• Closed cooling circuits	• Geothermal Systems

Approval Stamp

Dimensions & Weights

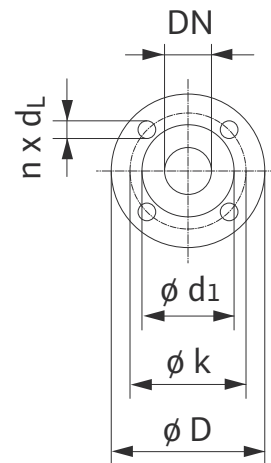


Dimensions and Weights

Model	Dia	Dimensions-inches (mm)																	Weight
		l_0	a	b_1	b_2	b_3	b_4	b_{max}	c	e	f	ϕg	l_1	m	p	t	u	x	
IL 2-45/170-4	2	17½	4¾	5 ^{11/16}	5 ^{7/8}	5 ^{5/8}	5½	11½	6 ^{5/16}	5 ^{3/16}	2¾	7 ^{3/16}	19 ^{1/8}	7 ^{15/16}	1 ^{3/16}	2 ^{3/8}	4 ^{11/16}	4	143 lbs
	2	(444)	(120)	(145)	(150)	(143)	(140)	(293)	(160)	(132)	(70)	(182)	(486)	(202)	(20)	(61)	(119)	(102)	65 kg
IL 2-60/190-4	2	17½	4¾	5 ^{11/16}	5 ^{7/8}	5 ^{5/8}	-	11½	6 ^{5/16}	5 ^{3/16}	2¾	7 ^{3/16}	19 ^{1/8}	7 ^{15/16}	1 ^{3/16}	2 ^{3/8}	4 ^{11/16}	4	148 lbs
	2	(444)	(120)	(145)	(150)	(143)	-	(293)	(160)	(132)	(70)	(182)	(486)	(202)	(20)	(61)	(119)	(102)	67 kg

Flange Dimensions

Dimensions - Inches (mm)				
DN	ϕD	ϕd_1	ϕk	n x d_L
2	6½ (165)	4 ^{3/16} (106)	4¾ (121)	4 x ¾ (4 x 19)



TEFC Motor Data

Model	P2	Phase	Voltage	FLA
	[HP]	[~]	[V]	[A]
IL 2-45/170-4	2	1	115 / 208-230	23/11.5
		3	208-230/460	6.5-6.2/3.1
IL 2-60/190-4	3	3	208-230/460	8.5-8.2/4.1