

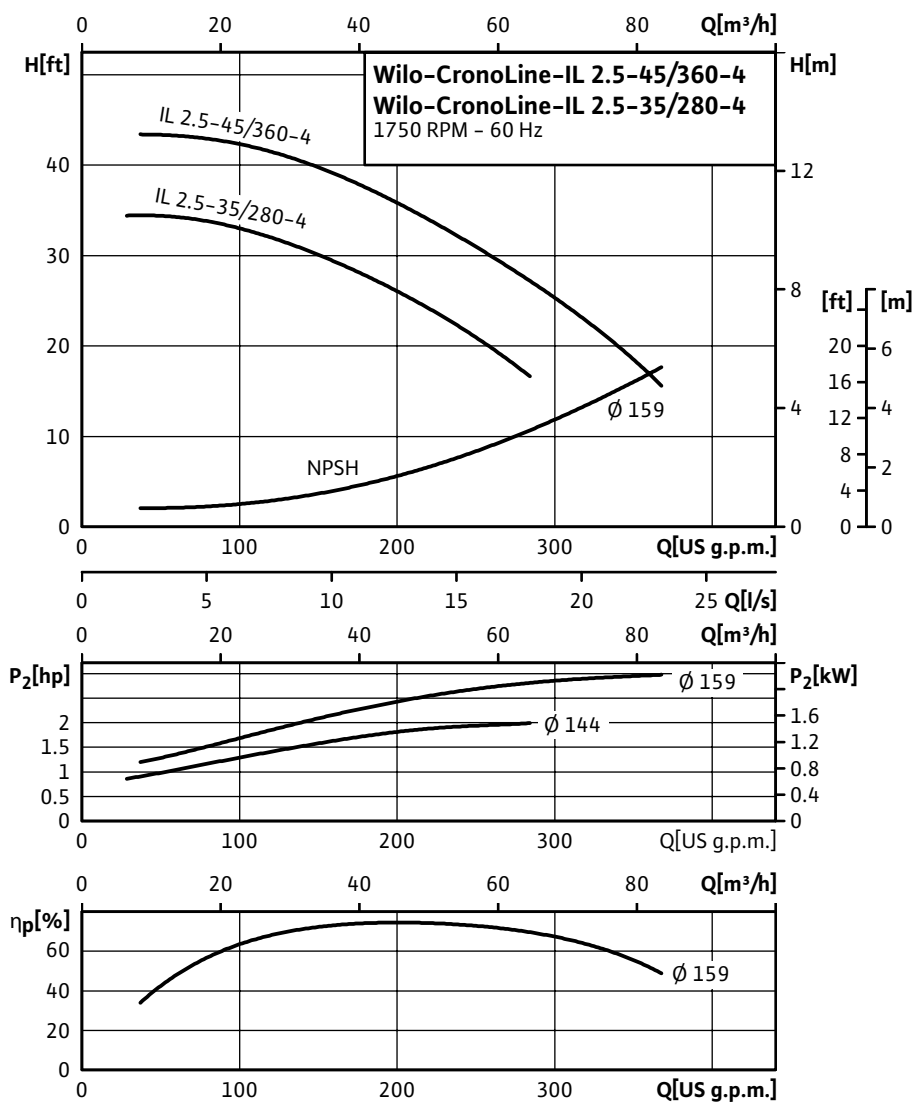
Submittal Data Sheet

Wilco IL - Inline Centrifugal Circulators



Wilo IL 2.5-35, 2.5-45 1750 RPM

	Project:							
	Engineer:							
	Contractor:							
	Submitted By:				Date:			
	Approved By:				Date:			
Tag #	Model #	Flow	Head	HP	Cycle	Phase	Voltage	RPM
					60Hz			1,750 (4 Pole)



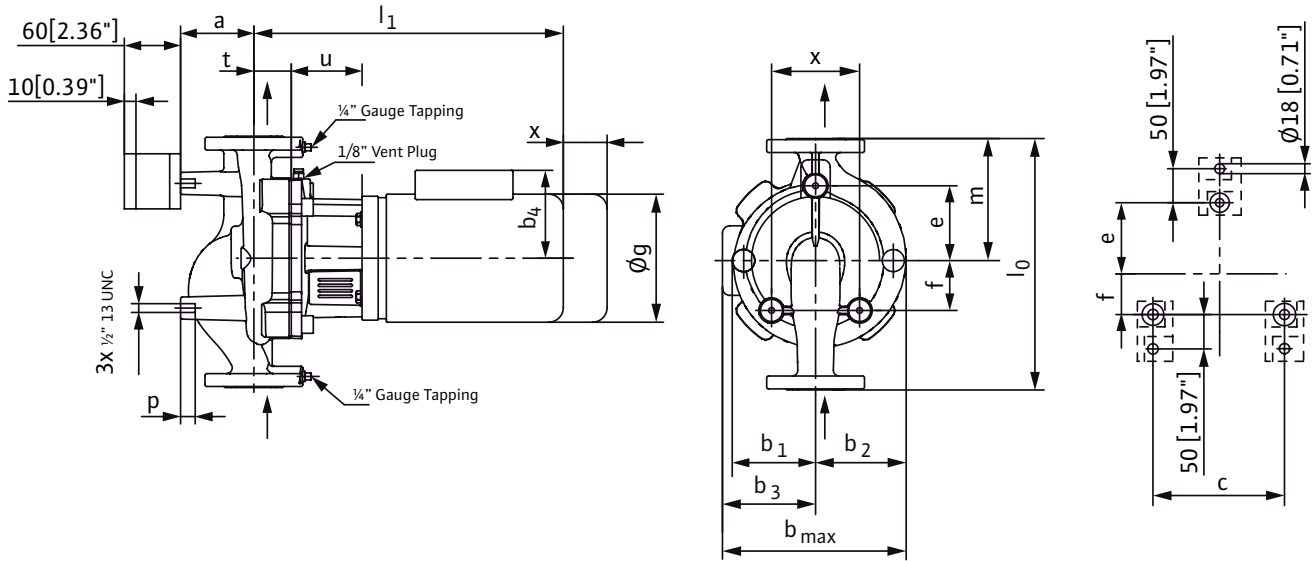
Technical Data	
Temp Range:	-5 °F to +285 °F (-20 °C to +140 °C)
Power Supply	1-115/208-230 volt 3-208-230/460, 575 volt
Motor Options	TEFC, (ODP Opt), EPACK Rated
Flange Connection	2½" NPT with ¼" pressure gauge tappings
Max operating pressure:	250 PSI (16 bar)

Materials of Construction	
Pump volute	Cast Iron
Impeller	Bronze (cast iron optional)
Shaft	316L stainless steel
Mechanical seal	Q1Q1X4GG (silicium carbide seal faces, HNBR elastomers)

Applications	
• Hot water heating systems	• Industrial circulation systems
• Air conditioning systems	• Solar Systems
• Closed cooling circuits	• Geothermal Systems

Approval Stamp

Dimensions & Weights



Dimensions and Weights

Model	Dia	Dimensions-inches (mm)															Weight		
		l_0	a	b_1	b_2	b_3	b_4	b_{max}	c	e	f	ϕg	l_1	m	p	t		u	x
IL 2.5-35/280-4	2½	17½	4 ⁵ / ₁₆	5	5 ¹³ / ₁₆	5 ⁵ / ₈	-	11 ³ / ₈	7 ¹ / ₁₆	5½	2 ³ / ₈	7 ³ / ₁₆	19 ¹¹ / ₁₆	8½	1 ³ / ₁₆	3 ¹ / ₁₆	4 ⁹ / ₁₆	5	137 lbs
	2½	(445)	(110)	(127)	(147)	(143)	-	(290)	(180)	(140)	(60)	(182)	(500)	(216)	(20)	(78)	(116)	(127)	62 kg
IL 2.5-45/360-4	2½	17½	4 ⁵ / ₁₆	5	5 ¹³ / ₁₆	5 ⁵ / ₈	-	11 ³ / ₈	7 ¹ / ₁₆	5½	2 ³ / ₈	7 ³ / ₁₆	19 ¹¹ / ₁₆	8½	1 ³ / ₁₆	3 ¹ / ₁₆	4 ⁹ / ₁₆	5	143 lbs
	2½	(445)	(110)	(127)	(147)	(143)	-	(290)	(180)	(140)	(60)	(182)	(500)	(216)	(20)	(78)	(116)	(127)	65 kg

Flange Dimensions

Dimensions - Inches (mm)				
DN	ϕD	ϕd_1	ϕk	$n \times d_L$
2.5	4 ⁵ / ₁₆	4 ¹⁵ / ₁₆	5½	4 x ¾
	(110)	(126)	(140)	(4 x 19)

Motor Data

Model	P2	Phase	Voltage	FLA
	[HP]	[~]	[V]	[A]
IL 2.5-35/280-4	2	1	115 / 208-230	23/11.5
		3	208-230/460	6.5-6.2/3.1
IL 2.5-45/360-4	3	3	208-230/460	8.5-8.2/4.1

