

Submittal Data Sheet

Wilco IL - Inline Centrifugal Circulators

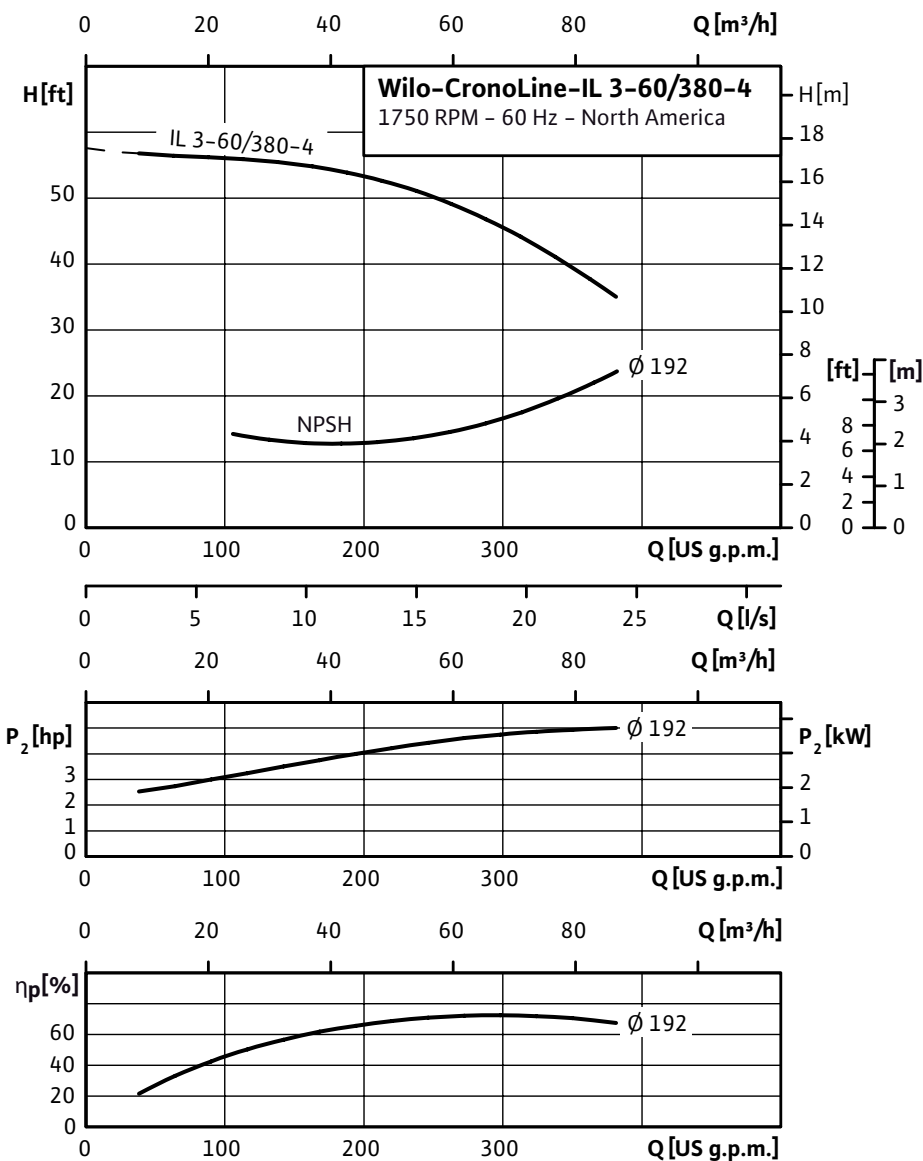


Wilco IL 3-60 1750 RPM



Project:	
Engineer:	
Contractor:	
Submitted By:	Date:
Approved By:	Date:

Tag #	Model #	Flow	Head	HP	Cycle	Phase	Voltage	RPM
					60Hz			1,750 (4 Pole)



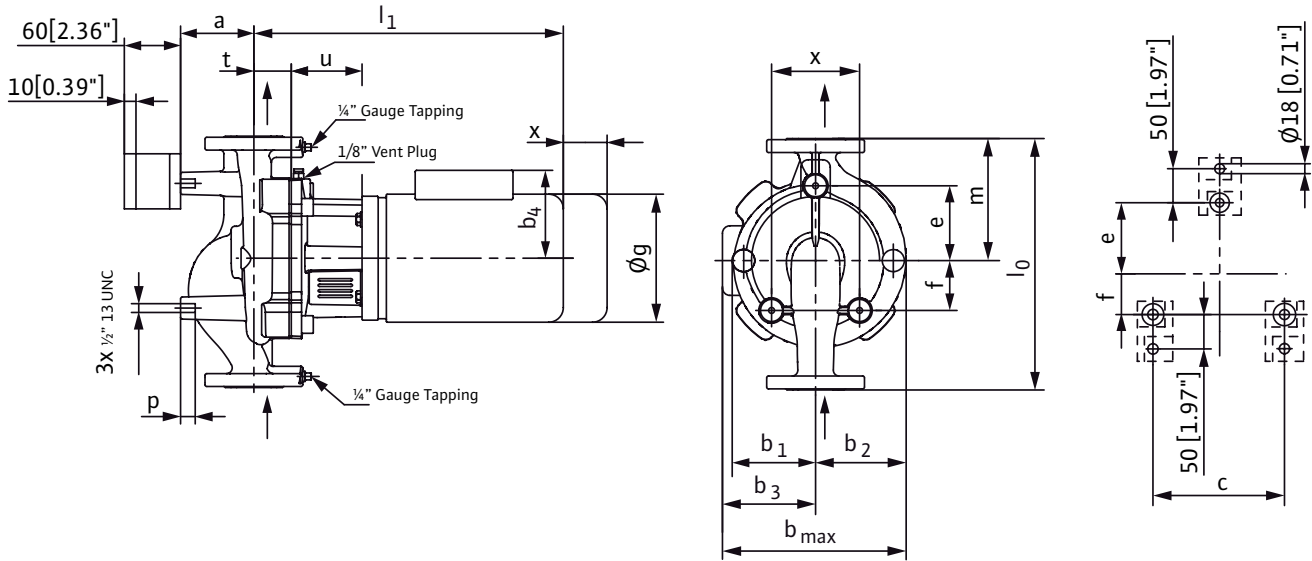
Technical Data	
Temp Range:	-5 °F to + 285 °F (-20 °C to +140 °C)
Power Supply	3-208-230/460, 575 volt
Motor Options	TEFC, (ODP Opt), EPACK Rated
Flange Connection	3" NPT with 1/4" pressure gauge tapings
Max operating pressure:	250 PSI (16 bar)

Materials of Construction	
Pump volute	Cast Iron
Impeller	Bronze (cast iron optional)
Shaft	316L stainless steel
Mechanical seal	Q1Q1X4GG (silicium carbide seal faces, HNBR elastomers)

Applications	
• Hot water heating systems	• Industrial circulation systems
• Air conditioning systems	• Solar Systems
• Closed cooling circuits	• Geothermal Systems

Approval Stamp

Dimensions & Weights

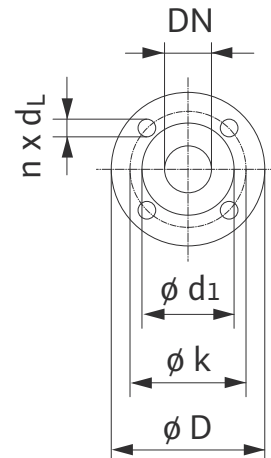


Dimensions and Weights

Model	Dia	Dimensions-inches (mm)											Weight						
		l_0	a	b_1	b_2	b_3	b_4	b_{max}	c	e	f	ϕg		l_1	m	p	t	u	x
IL 3-60/380-4	3	21	5 ^{11/16}	6 ^{3/16}	7 ^{3/16}	6 ^{7/8}	-	14 ^{1/16}	8 ^{11/16}	6 ^{11/16}	2 ^{7/16}	8 ^{5/8}	23	9 ^{11/16}	1 ^{3/16}	3 ^{1/16}	6	5	216 lbs
	3	(533)	(145)	(157)	(182)	(175)	-	(357)	(220)	(170)	(62)	(218)	(585)	(246)	(20)	(78)	(153)	(127)	98 kg

Flange Dimensions

Dimensions - Inches (mm)				
DN	ϕD	ϕd_1	ϕk	$n \times d_L$
3	8 ^{1/4}	5 ^{11/16}	6	4 x 3/4
	(210)	(145)	(152)	(4 x 19)



TEFC Motor Data

Model	P2	Phase	Voltage	FLA
	[HP]	[~]	[V]	[A]
IL 3-60/380-4	5	3	208-230/460	15-13.2/6.6