

# Submittal Data Sheet

## Wilco IL - Inline Centrifugal Circulators

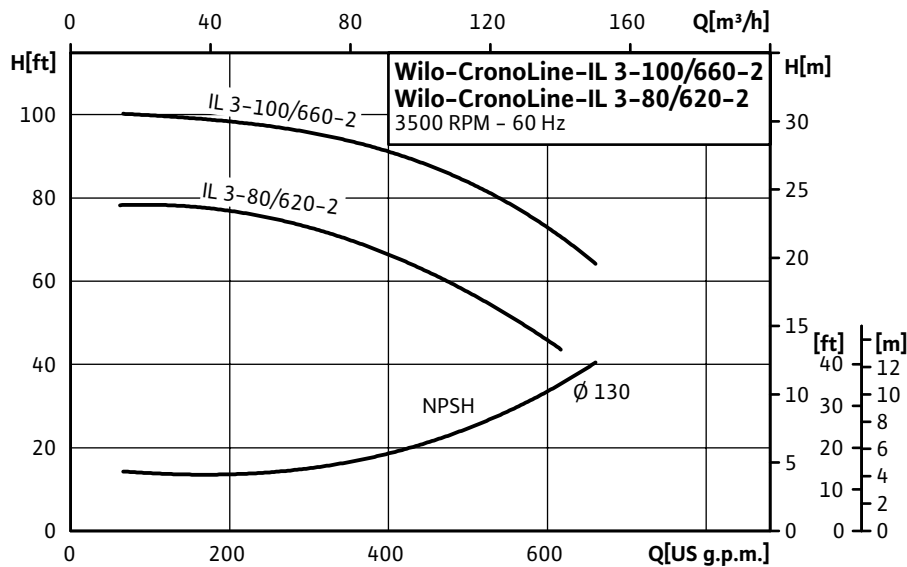


### Wilco IL 3-80, 3-100 3500 RPM



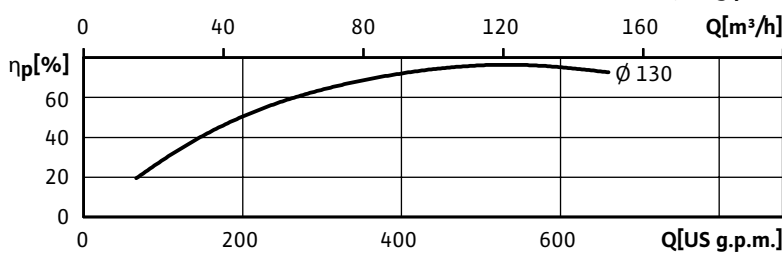
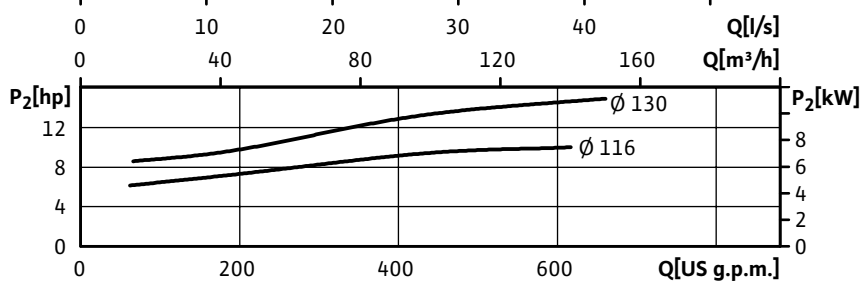
Project:	
Engineer:	
Contractor:	
Submitted By:	Date:
Approved By:	Date:

Tag #	Model #	Flow	Head	HP	Cycle	Phase	Voltage	RPM
					60Hz			3,500 (2 Pole)



Technical Data	
Temp Range:	-5 °F to + 285 °F (-20 °C to +140 °C)
Power Supply	3-208-230/460, 575 volt
Motor Options	TEFC, (ODP Opt), EPACK Rated
Flange Connection	3" NPT with 1/4" pressure gauge tapings
Max operating pressure:	250 PSI (16 bar)

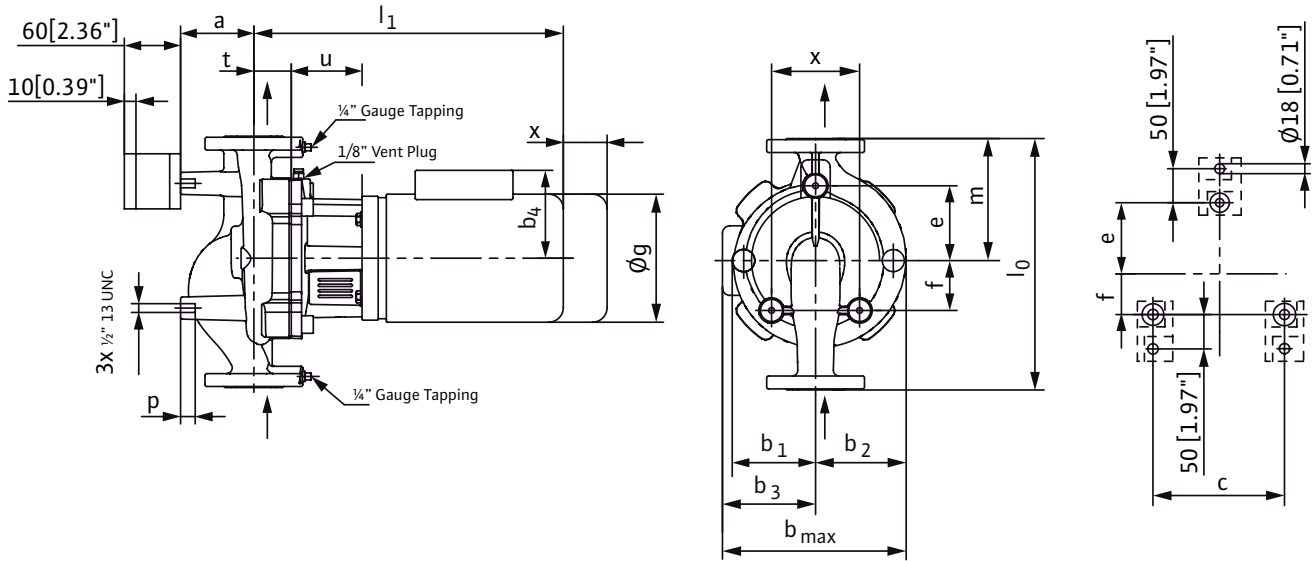
Materials of Construction	
Pump volute	Cast Iron
Impeller	Bronze (cast iron optional)
Shaft	316L stainless steel
Mechanical seal	Q1Q1X4GG (silicium carbide seal faces, HNBR elastomers)



Applications	
• Hot water heating systems	• Industrial circulation systems
• Air conditioning systems	• Solar Systems
• Closed cooling circuits	• Geothermal Systems

Approval Stamp

Dimensions & Weights

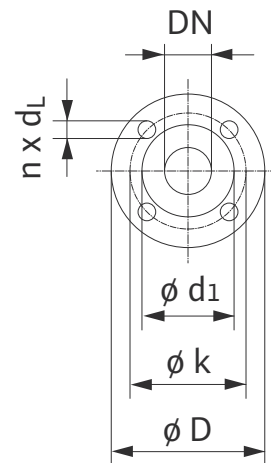


Dimensions and Weights

Model	Dia	Dimensions-inches (mm)																Weight	
		l <sub>0</sub>	a	b <sub>1</sub>	b <sub>2</sub>	b <sub>3</sub>	b <sub>4</sub>	b <sub>max</sub>	c	e	f	φg	l <sub>1</sub>	m	p	t	u		x
IL 3-80/620-2	3	17½	4¼	4 <sup>7</sup> / <sub>8</sub>	5 <sup>15</sup> / <sub>16</sub>	7 <sup>15</sup> / <sub>16</sub>	-	13 <sup>7</sup> / <sub>8</sub>	7 <sup>1</sup> / <sub>16</sub>	5½	2¼	10 <sup>3</sup> / <sub>16</sub>	25 <sup>5</sup> / <sub>16</sub>	8 <sup>11</sup> / <sub>16</sub>	1 <sup>3</sup> / <sub>16</sub>	3 <sup>5</sup> / <sub>8</sub>	4 <sup>15</sup> / <sub>16</sub>	5	231 lbs
	3	(445)	(109)	(123)	(151)	(201)	-	(352)	(180)	(140)	(57)	(259)	(643)	(220)	(20)	(92)	(126)	(127)	105 kg
IL 3-100/660-2	3	17½	4¼	4 <sup>7</sup> / <sub>8</sub>	5 <sup>15</sup> / <sub>16</sub>	7 <sup>15</sup> / <sub>16</sub>	-	13 <sup>7</sup> / <sub>8</sub>	7 <sup>1</sup> / <sub>16</sub>	5½	2¼	10 <sup>3</sup> / <sub>16</sub>	26 <sup>5</sup> / <sub>16</sub>	8 <sup>11</sup> / <sub>16</sub>	1 <sup>3</sup> / <sub>16</sub>	3 <sup>5</sup> / <sub>8</sub>	4 <sup>15</sup> / <sub>16</sub>	5	238 lbs
	3	(445)	(109)	(123)	(151)	(201)	-	(352)	(180)	(140)	(57)	(259)	(669)	(220)	(20)	(92)	(126)	(127)	108 kg

Flange Dimensions

Dimensions - Inches (mm)				
DN	φD	φd <sub>1</sub>	φk	n x d <sub>L</sub>
3	8¼	5 <sup>11</sup> / <sub>16</sub>	6	4 x ¾
	(210)	(145)	(152)	(4 x 19)



TEFC Motor Data

Model	P2	Phase	Voltage	FLA
	[HP]	[~]	[V]	[A]
IL 3-80/620-2	10	3	208-230/460	25-23/11.5
IL 3-100/660-2	15	3	208-230/460	37.5-34/17