

Submittal Data Sheet

Wilco IL - Inline Centrifugal Circulators

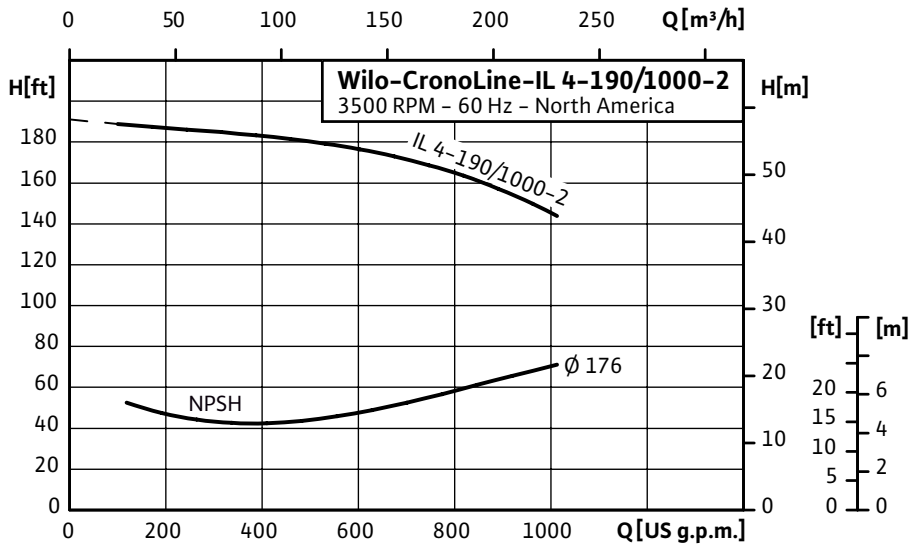


Wilco IL 4-190 3500 RPM



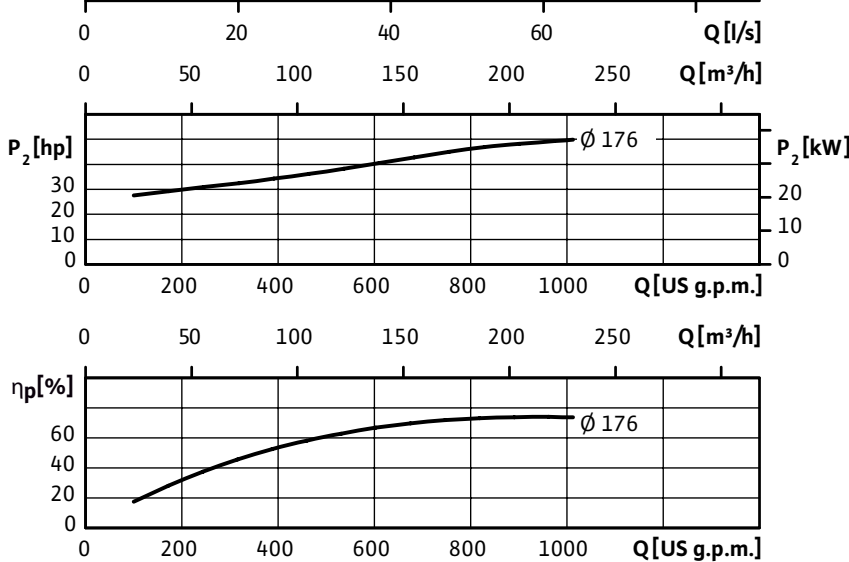
Project:	
Engineer:	
Contractor:	
Submitted By:	Date:
Approved By:	Date:

Tag #	Model #	Flow	Head	HP	Cycle	Phase	Voltage	RPM
					60Hz			3,500 (2 Pole)



Technical Data	
Temp Range:	-5 °F to + 285 °F (-20 °C to +140 °C)
Power Supply	3-208-230/460, 575 volt
Motor Options	TEFC, (ODP Opt), EPACK Rated
Flange Connection	1 1/4" to 4" NPT with 1/4" pressure gauge tapings
Max operating pressure:	250 PSI (16 bar)

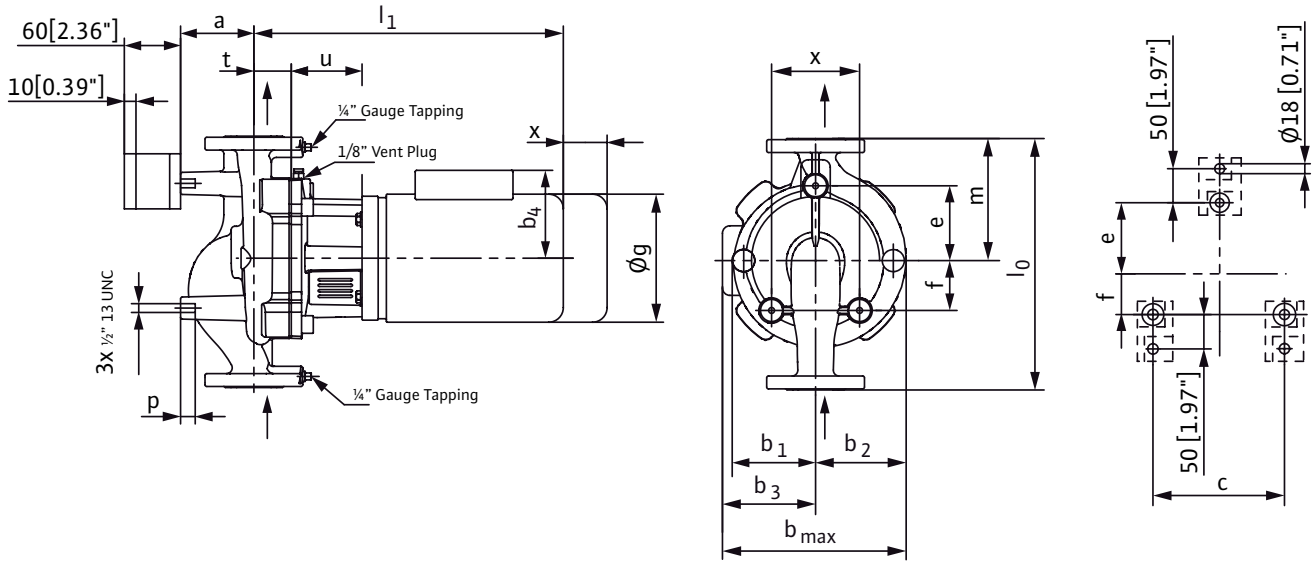
Materials of Construction	
Pump volute	Cast iron
Impeller	Bronze (cast iron optional)
Shaft	316L stainless steel
Mechanical seal	Q1Q1X4GG (silicium carbide seal faces, HNBR elastomers)



Applications	
• Hot water heating systems	• Industrial circulation systems
• Air conditioning systems	• Solar Systems
• Closed cooling circuits	• Geothermal Systems

Approval Stamp

Dimensions & Weights

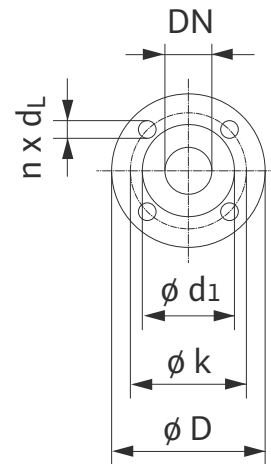


Dimensions and Weights

Model	Dia	Dimensions-inches (mm)																	Weight
		l_0	a	b_1	b_2	b_3	b_4	b_{max}	c	e	f	ϕ_g	l_1	m	p	t	u	x	
IL 4-190/1000-2	4	22	6 ^{3/8}	6 ^{13/16}	7 ^{15/16}	12 ^{3/16}	-	20 ^{3/16}	8 ^{11/16}	9 ^{3/16}	3 ^{7/8}	-	34 ^{13/16}	10 ^{3/16}	1 ^{3/16}	3 ^{7/16}	5 ^{11/16}	5	604 lbs
	4	(559)	(155)	(173)	(202)	(310)	-	(512)	(220)	(233)	(99)	-	(884)	(260)	(20)	(88)	(144)	(127)	274 kg

Flange Dimensions

Dimensions - Inches (mm)				
DN	ϕD	ϕd_1	ϕk	$n \times d_L$
4	10	6 ^{15/16}	7 ^{1/2}	8 x 3/4
	(254)	(176)	(191)	(8 x 19)



TEFC Motor Data

Model	P2	Phase	Voltage	FLA
	[HP]	[-]	[V]	[A]
IL 4-190/1000-2	50	3	208-230/460	112/56