

Submittal Data Sheet

Wilo IL - Inline Centrifugal Circulators

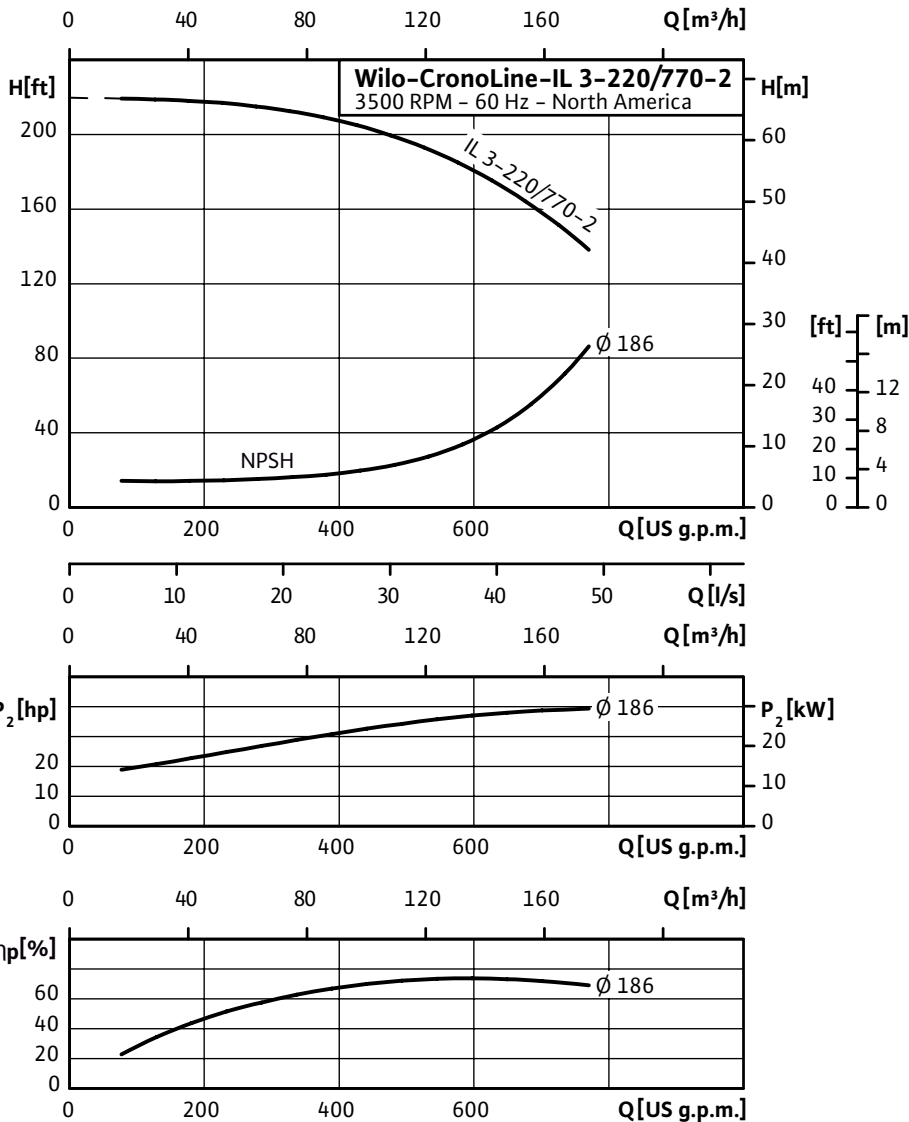


Wilo IL 3-220 3500 RPM



Project:	
Engineer:	
Contractor:	
Submitted By:	Date:
Approved By:	Date:

Tag #	Model #	Flow	Head	HP	Cycle	Phase	Voltage	RPM
					60Hz			3,500 (2 Pole)



Technical Data

Temp Range:	-5 °F to + 285 °F (-20 °C to +140 °C)
Power Supply	3-208-230/460, 575 volt
Motor Options	TEFC, (ODP Opt), EPACK Rated
Flange Connection	1 1/4" to 4" NPT with 1/4" pressure gauge tapings
Max operating pressure:	250 PSI (16 bar)

Materials of Construction

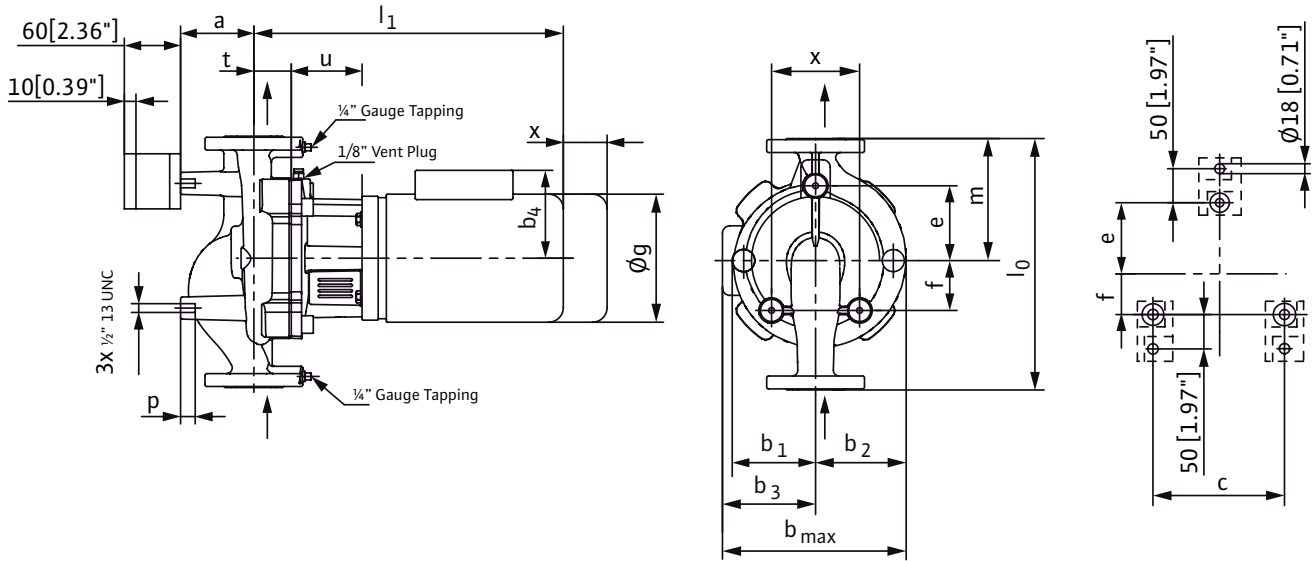
Pump volute	Cast Iron
Impeller	Bronze (cast iron optional)
Shaft	316L stainless steel
Mechanical seal	Q1Q1X4GG (silicium carbide seal faces, HNBR elastomers)

Applications

• Hot water heating systems	• Industrial circulation systems
• Air conditioning systems	• Solar Systems
• Closed cooling circuits	• Geothermal Systems

Approval Stamp

Dimensions & Weights

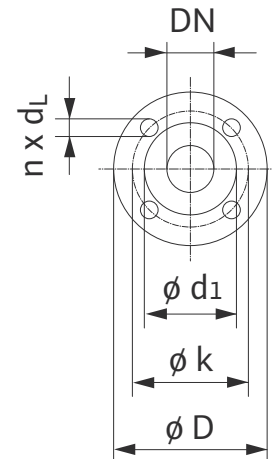


Dimensions and Weights

Model	Dia	Dimensions-inches (mm)																	Weight
		l_0	a	b_1	b_2	b_3	b_4	b_{max}	c	e	f	ϕg	l_1	m	p	t	u	x	
IL 3-220/770-2	3	21	5 ^{11/16}	6 ^{3/16}	7 ^{3/16}	11 ^{3/16}	-	18 ^{3/8}	8 ^{11/16}	6 ^{11/16}	2 ^{7/16}	11 ^{9/16}	30 ^{3/8}	9 ^{11/16}	1 ^{3/16}	3 ^{1/16}	5 ^{1/8}	5	443 lbs
	3	(533)	(145)	(157)	(182)	(285)	-	(467)	(220)	(170)	(62)	(293)	(772)	(246)	(20)	(78)	(131)	(127)	201 kg

Flange Dimensions

Dimensions - Inches (mm)				
DN	ϕD	ϕd_1	ϕk	$n \times d_L$
3	8 ^{1/4}	5 ^{11/16}	6	4 x 3/4
	(210)	(145)	(152)	(4 x 19)



TEFC Motor Data

Model	P2	Phase	Voltage	FLA
	[HP]	[-]	[V]	[A]
IL 3-220/770-2	40	3	208-230/460	90/45