

Submittal Data Sheet

Wilco IL - Inline Centrifugal Circulators

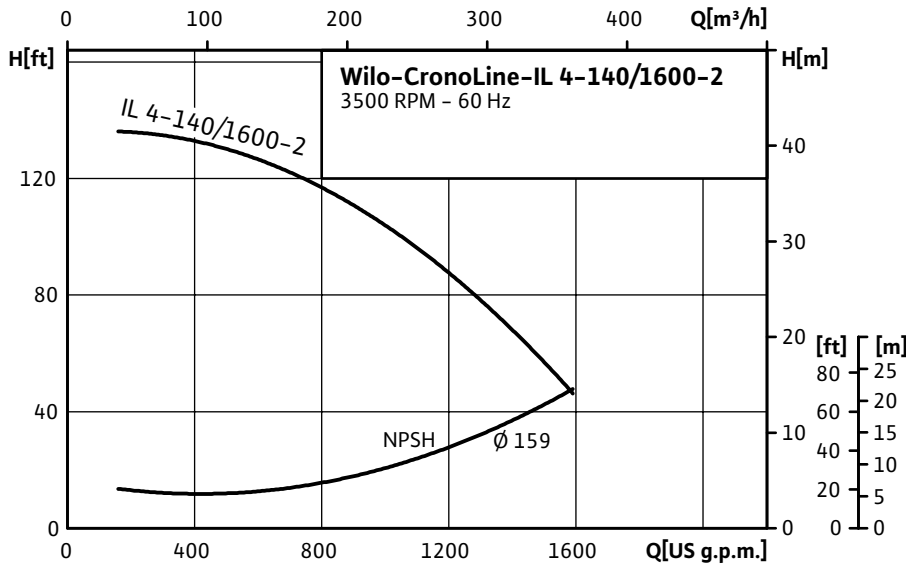


Wilco IL 4-140 3500 RPM



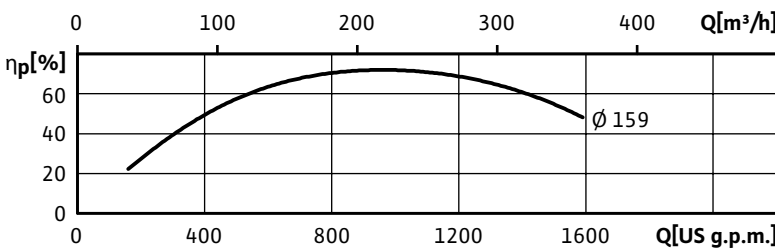
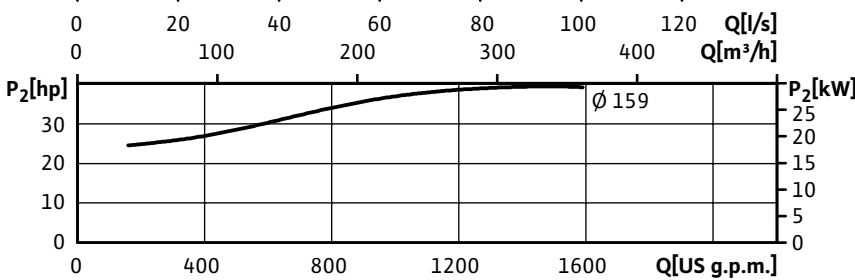
| | |
|---------------|-------|
| Project: | |
| Engineer: | |
| Contractor: | |
| Submitted By: | Date: |
| Approved By: | Date: |

| Tag # | Model # | Flow | Head | HP | Cycle | Phase | Voltage | RPM |
|-------|---------|------|------|----|-------|-------|---------|----------------|
| | | | | | 60Hz | | | 3,500 (2 Pole) |



| Technical Data | |
|-------------------------|--|
| Temp Range: | -5 °F to +285 °F (-20 °C to +140 °C) |
| Power Supply | 3-208-230/460, 575 volt |
| Motor Options | TEFC, (ODP Opt), EPACK Rated |
| Flange Connection | 1 1/4" to 4" NPT with 1/4" pressure gauge tappings |
| Max operating pressure: | 250 PSI (16 bar) |

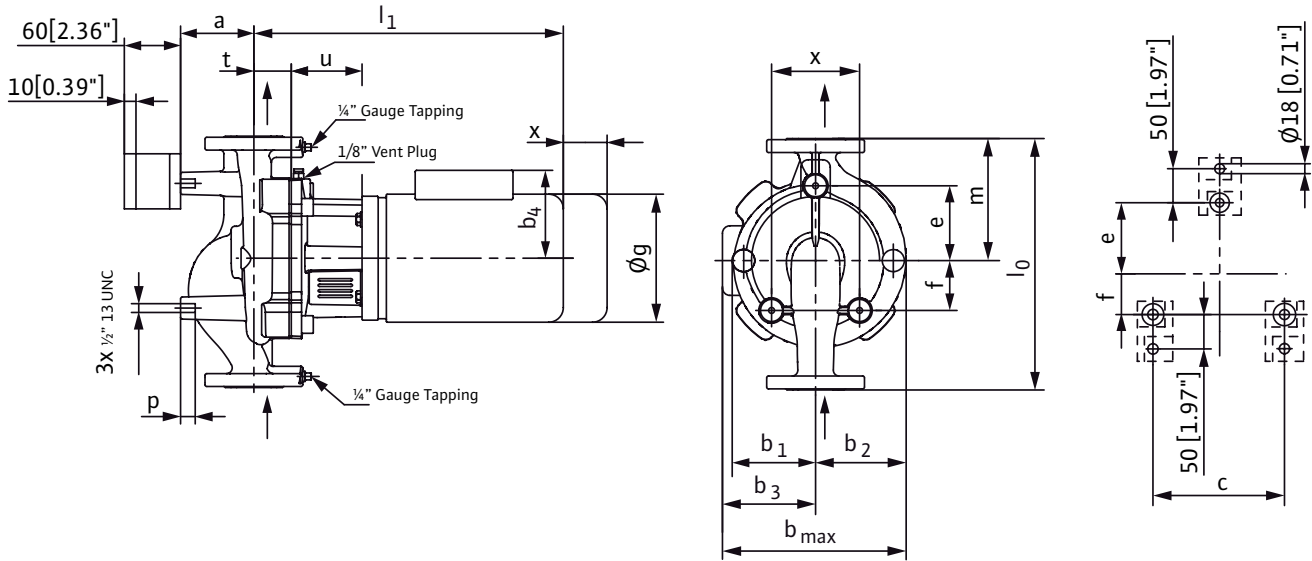
| Materials of Construction | |
|---------------------------|---|
| Pump volute | Cast Iron |
| Impeller | Bronze (cast iron optional) |
| Shaft | 316L stainless steel |
| Mechanical seal | Q1Q1X4GG (silicium carbide seal faces, HNBR elastomers) |



| Applications | |
|-----------------------------|----------------------------------|
| • Hot water heating systems | • Industrial circulation systems |
| • Air conditioning systems | • Solar Systems |
| • Closed cooling circuits | • Geothermal Systems |

Approval Stamp

Dimensions & Weights

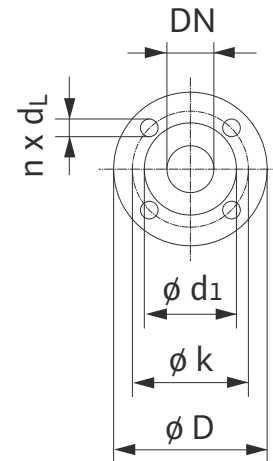


Dimensions and Weights

| Model | Dia | Dimensions-inches (mm) | | | | | | | | | | | | | | | | | Weight |
|-----------------|-----|--------------------------------|--------------------------------|-------------------------------|---------------------------------|---------------------------------|----------------|----------------------------------|-------------------------------|--------------------------------|-------------------------------|---------------------------------|----------------------------------|---------------------------------|--------------------------------|--------------------------------|--------------------------------|-------|---------|
| | | l ₀ | a | b ₁ | b ₂ | b ₃ | b ₄ | b _{max} | c | e | f | φg | l ₁ | m | p | t | u | x | |
| IL 4-140/1600-2 | 4 | 20 ¹ / ₂ | 5 ³ / ₁₆ | 6 ¹ / ₄ | 7 ¹¹ / ₁₆ | 11 ³ / ₁₆ | - | 18 ¹⁵ / ₁₆ | 7 ⁷ / ₈ | 9 ³ / ₁₆ | 2 ³ / ₈ | 11 ⁹ / ₁₆ | 31 ¹¹ / ₁₆ | 10 ⁵ / ₁₆ | 1 ³ / ₁₆ | 4 ⁵ / ₁₆ | 5 ³ / ₁₆ | 6 | 448 lbs |
| | 4 | (521) | (132) | (158) | (196) | (285) | - | (481) | (200) | (234) | (60) | (293) | (805) | (262) | (20) | (110) | (131) | (152) | 203 kg |

Flange Dimensions

| DN | Dimensions - Inches (mm) | | | |
|----|--------------------------|---------------------------------|-------------------------------|--------------------|
| | φD | φd ₁ | φk | n x d _L |
| 4 | 10 | 6 ¹⁵ / ₁₆ | 7 ¹ / ₂ | 8 x 3/4 |
| | (254) | (176) | (191) | (8 x 19) |



TEFC Motor Data

| Model | P2 | Phase | Voltage | FLA |
|-----------------|------|-------|-------------|-------|
| | [HP] | [~] | [V] | [A] |
| IL 4-140/1600-2 | 40 | 3 | 208-230/460 | 90/45 |