


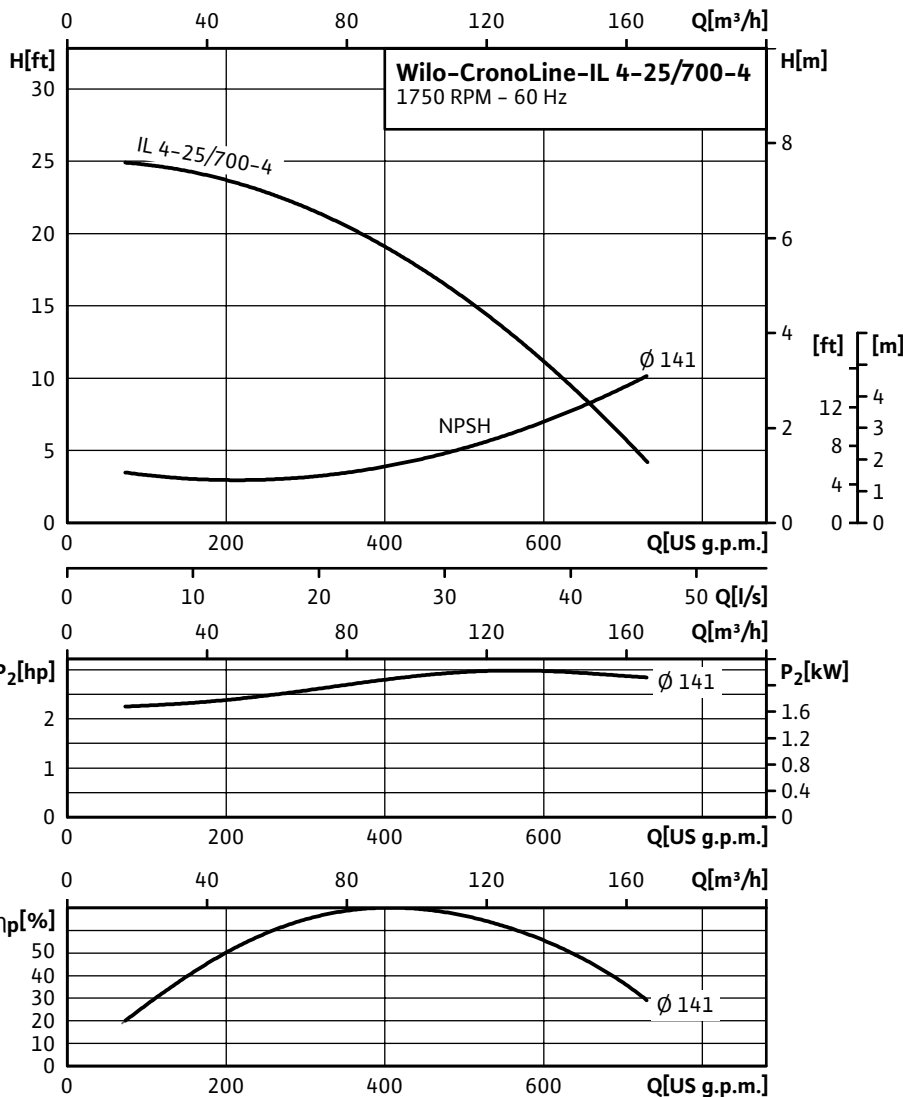
Submittal Data Sheet

Wilco IL - Inline Centrifugal Circulators



Wilco IL 4-25 1750 RPM

	Project:							
	Engineer:							
	Contractor:							
	Submitted By:				Date:			
	Approved By:				Date:			
Tag #	Model #	Flow	Head	HP	Cycle	Phase	Voltage	RPM
					60Hz			1,750 (4 Pole)



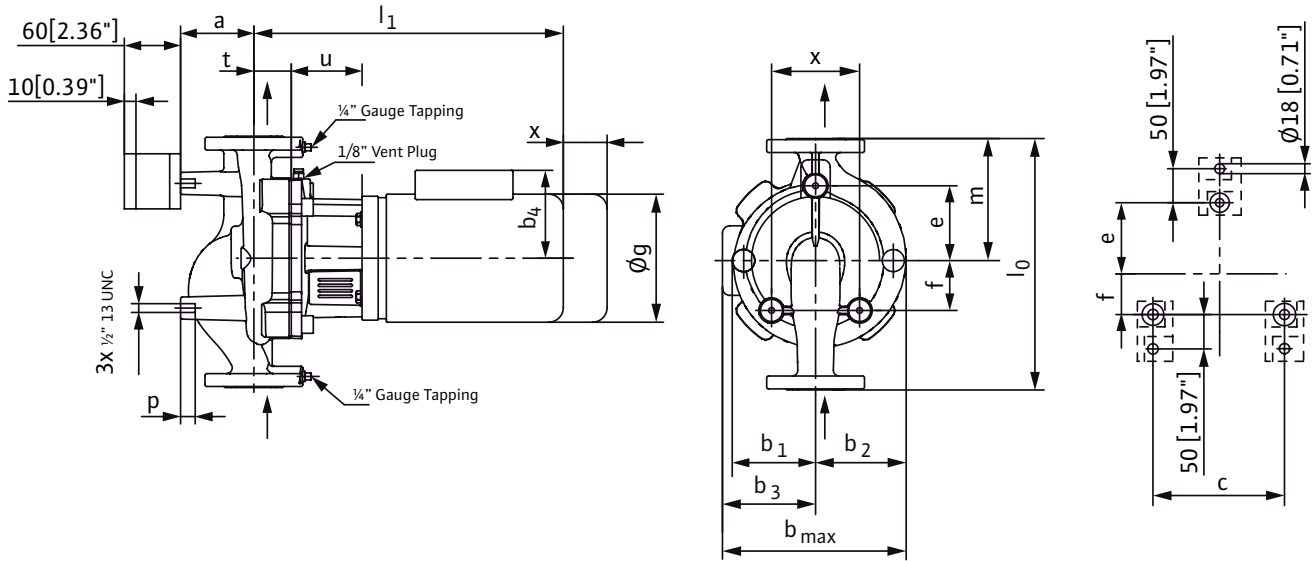
Technical Data	
Temp Range:	-5 °F to +285 °F (-20 °C to +140 °C)
Power Supply	3-208-230/460, 575 volt
Motor Options	TEFC, (ODP Opt), EPACK Rated
Flange Connection	4" NPT with 1/4" pressure gauge tappings
Max operating pressure:	250 PSI (16 bar)

Materials of Construction	
Pump volute	Cast Iron
Impeller	Bronze (cast iron optional)
Shaft	316L stainless steel
Mechanical seal	Q1Q1X4GG (silicium carbide seal faces, HNBR elastomers)

Applications	
• Hot water heating systems	• Industrial circulation systems
• Air conditioning systems	• Solar Systems
• Closed cooling circuits	• Geothermal Systems

Approval Stamp

Dimensions & Weights

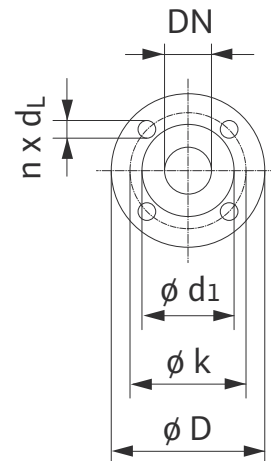


Dimensions and Weights

Model	Dia	Dimensions-inches (mm)																	Weight
		l ₀	a	b ₁	b ₂	b ₃	b ₄	b _{max}	c	e	f	φg	l ₁	m	p	t	u	x	
IL 4-25/700-4	4	20 1/2	5 3/16	6 1/4	7 11/16	5 5/8	-	13 5/16	7 7/8	9 3/16	2 3/8	7 3/16	21 5/16	10 5/16	13 1/16	4 5/16	4 15/16	6	203 lbs
	4	(521)	(132)	(158)	(196)	(143)	-	(339)	(200)	(234)	(60)	(182)	(541)	(262)	(20)	(110)	(125)	(152)	92 kg

Flange Dimensions

Dimensions - Inches (mm)				
DN	φD	φd ₁	φk	n x d _L
4	10	6 15/16	7 1/2	8 x 3/4
	(254)	(176)	(191)	(8 x 19)



TEFC Motor Data

Model	P2	Phase	Voltage	FLA
	[HP]	[~]	[V]	[A]
IL 4-25/700-4	3	3	208-230/460	8.5-8.2/4.1