

Submittal Data Sheet

Wilo IL - Inline Centrifugal Circulators

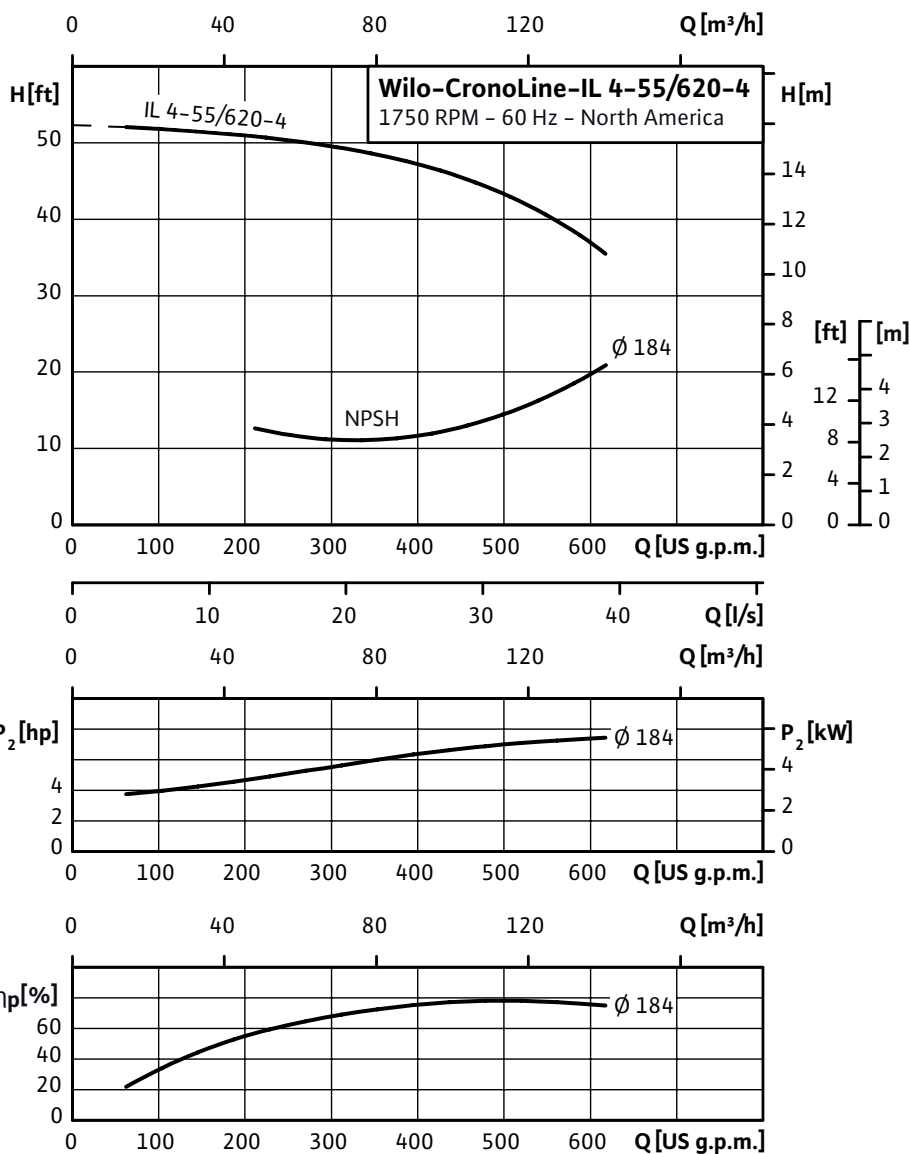


Wilo IL 4-55 1750 RPM



Project:	
Engineer:	
Contractor:	
Submitted By:	Date:
Approved By:	Date:

Tag #	Model #	Flow	Head	HP	Cycle	Phase	Voltage	RPM
					60Hz			1,750 (4 Pole)



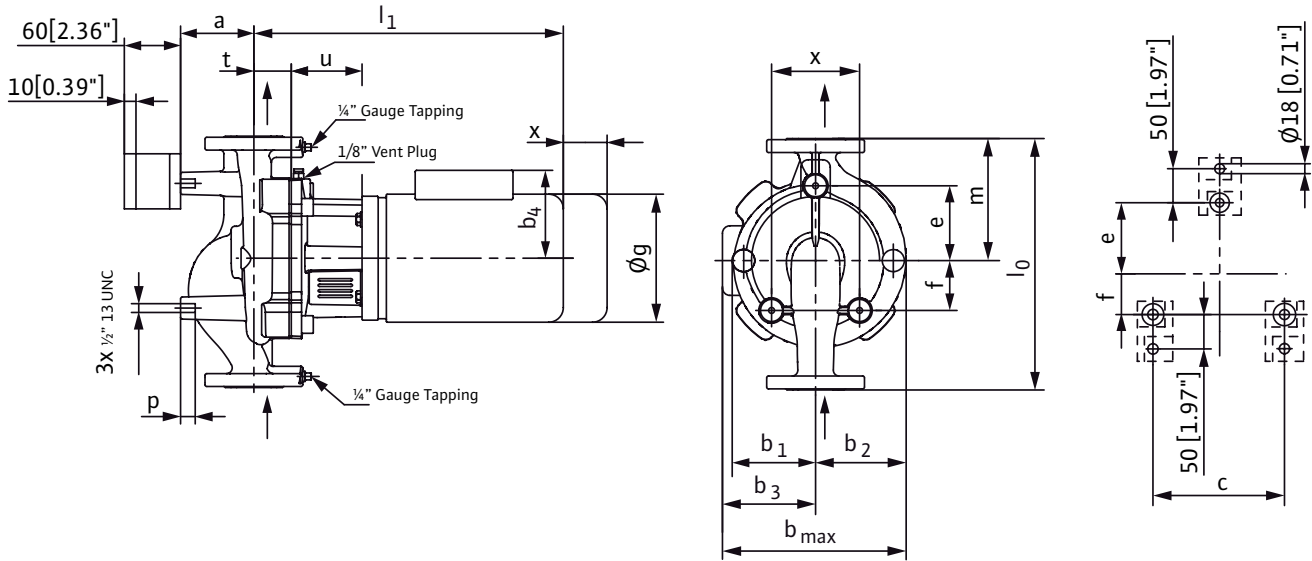
Technical Data	
Temp Range:	-5 °F to +285 °F (-20 °C to +140 °C)
Power Supply	3-208-230/460, 575 volt
Motor Options	TEFC, (ODP Opt), EPACK Rated
Flange Connection	4" NPT with 1/4" pressure gauge tapings
Max operating pressure:	250 PSI (16 bar)

Materials of Construction	
Pump volute	Cast Iron
Impeller	Bronze (cast iron optional)
Shaft	316L stainless steel
Mechanical seal	Q1Q1X4GG (silicium carbide seal faces, HNBR elastomers)

Applications	
• Hot water heating systems	• Industrial circulation systems
• Air conditioning systems	• Solar Systems
• Closed cooling circuits	• Geothermal Systems

Approval Stamp

Dimensions & Weights

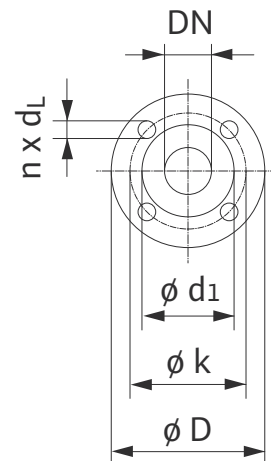


Dimensions and Weights

Model	Dia	Dimensions-inches (mm)																	Weight
		l ₀	a	b ₁	b ₂	b ₃	b ₄	b _{max}	c	e	f	φg	l ₁	m	p	t	u	x	
IL 4-55/620-4	4	22	6 1/8	6 13/16	7 15/16	7 15/16	-	15 7/8	8 11/16	9 3/16	3 7/8	-	25 15/16	10 3/16	13/16	3 7/16	6	5	287 lbs
	4	(559)	(155)	(173)	(202)	(201)	-	(403)	(220)	(233)	(99)	-	(659)	(260)	(20)	(88)	(153)	(127)	130 kg

Flange Dimensions

Dimensions - Inches (mm)				
DN	φD	φd ₁	φk	n x d _L
4	10	6 15/16	7 1/2	8 x 3/4
	(254)	(176)	(191)	(8 x 19)



TEFC Motor Data

Model	P2	Phase	Voltage V (A)	Current A (C)
	[HP]	[~]	[V]	[A]
IL 4-55/620-4	7.50	3	208-230/460	21.4/10.7