



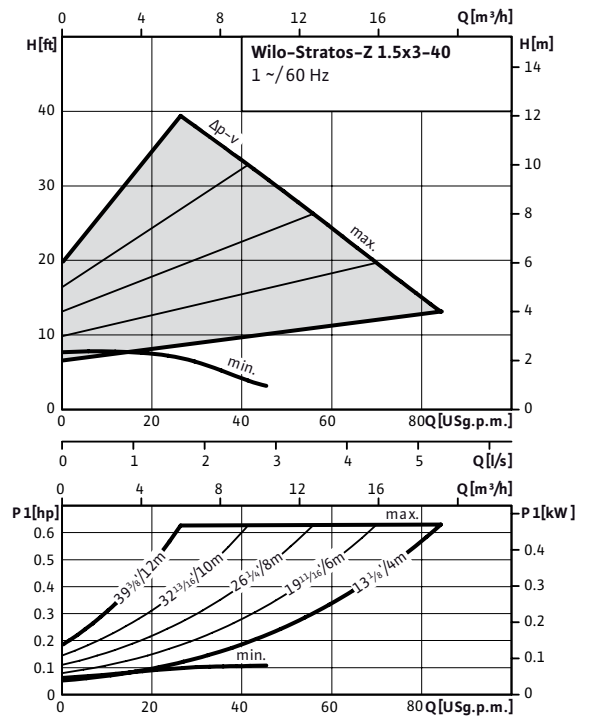
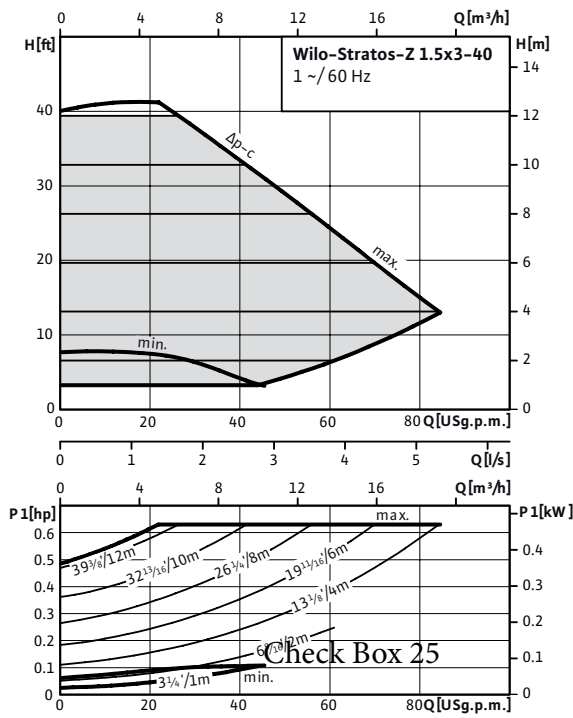
Submittal Data Sheet

Wilco Stratos Z - High Efficiency Domestic Hot Water Circulator



Stratos Z 1.5x3-40

 	Project:						
	Engineer:						
	Contractor:						
	Submitted By:	Date:					
	Approved By:	Date:					
Tag #	Model #	Flow	Head	Control Mode	Cycle	Phase	Voltage
	Stratos Z 1.5x3-40				60Hz	1	230



Technical Data	
Liquid Temp Range	14°F to 230°F (-10°C to 110°C)
Max Temperature	104°F (40°C)
Min. Suction Pressure (122°F)	7.1 PSI
Min. Suction Pressure (203°F)	17.1 PSI
Min. Suction Pressure (230°F)	25.6 PSI

Materials of Construction	
Pump Volute	Stainless steel (AISI CF-8M)
Impeller	Composite (PPS-40% GF)
Shaft	Stainless Steel (X39CrMo17-1)
Bearing	Carbon, synthetic resin impregnated

IR Module Selection	
Module 1	Module
	BACnet / Dual Pump
	LONworks / Dual Pump
	SBM Run Signal / Ext. Off / Dual Pump
	SBM Run Signal / 0-10v / Dual Pump
	Ext. Min / 0-10v / Dual Pump
	Ext. Off / 0-10v / Dual Pump
	None

Applications	
• Heating Systems	• Cooling Circuits
• Air Conditioning	• Industrial Circulation
• Solar Systems	• Geothermal Systems

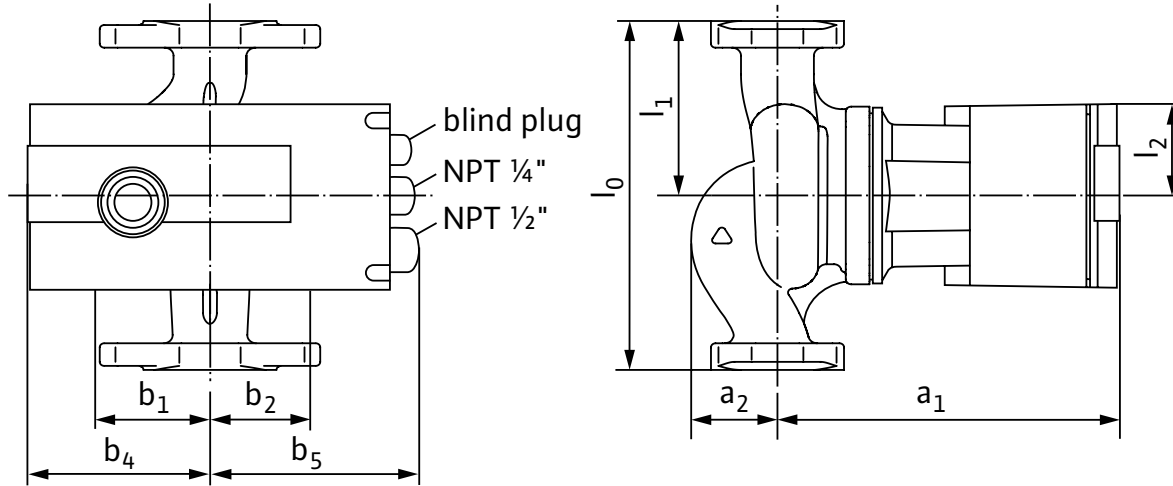
Approval Stamp

Submittal Data Sheet

Wilo Stratos Z - High Efficiency Domestic Hot Water Circulator



Dimensions & Weights

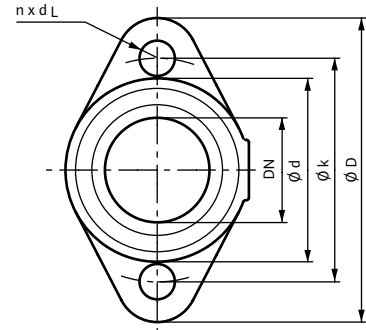


Dimensions and Weights

Model	Dimensions - Inches (mm)									Weight - lbs (kg)
	l_0	l_1	l_2	a_1	a_2	b_1	b_2	b_4	b_5	
Stratos Z 1.5x3-40	10	5	2 ^{5/8}	9 ^{15/16}	2 ^{1/2}	2 ^{7/8}	2 ^{1/2}	4 ^{3/4}	6 ^{7/16}	28.66
	(254)	(127)	(66)	(252)	(64)	(73)	(64)	(120)	(163)	(13.0)

Flange Dimensions

Dimensions - Inches (mm)				
Dia.	ϕD	ϕd	ϕk	$n \times d_L$
1 ^{1/2} "	4 ^{3/4}	2 ^{7/8}	3 ^{1/2}	2 x 9 ^{9/16}
	(121)	(73)	(89)	(2 x 14)



ECM Motor Data

Model	hp	Speed	Watts	FLA	FLA
		RPM	W	1~230V	3~230V
Stratos Z 1.5x3-40	0.469	1400-4600	25-470	0.20-2.05	0.20-2.05

