

Submittal Data Sheet

Wilco Top S - Commercial Wet Rotor Circulators

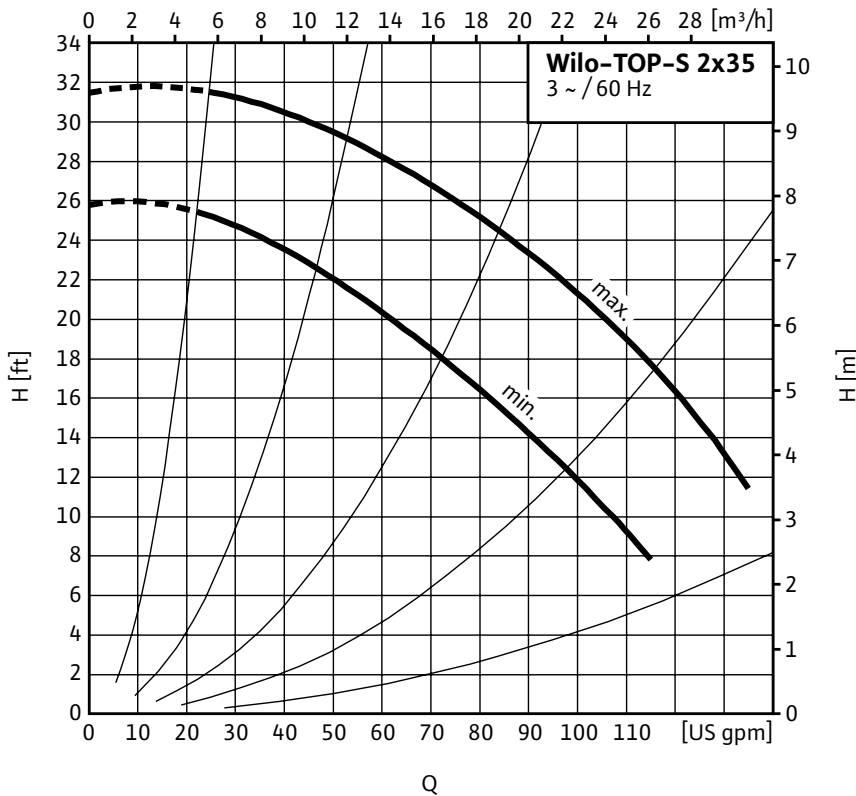


Top S - Three Phase



| | |
|---------------|-------|
| Project: | |
| Engineer: | |
| Contractor: | |
| Submitted By: | Date: |
| Approved By: | Date: |

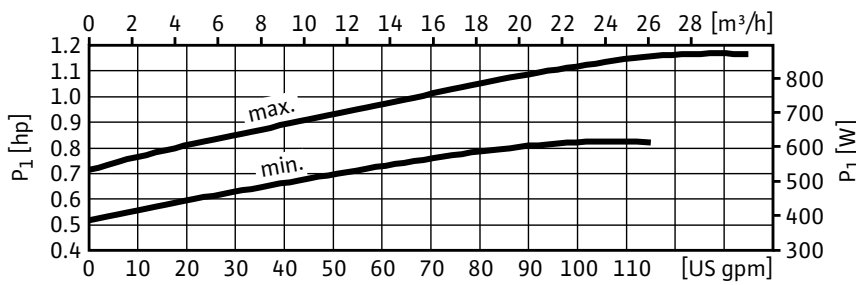
| Tag # | Model # | Speed | Flow | Head | HP | Phase | Voltage |
|-------|--------------|-------|------|------|----|-------|---------|
| | Top S 2 x 35 | | | | | 3 | |



| Materials of Construction | |
|---------------------------|---|
| Volute | Cast Iron (Closed Systems) Cataphoresis Coated |
| Impeller | Engineered composite (PP - 50% GF) |
| Shaft | Stainless Steel (X40 Cr13) / AISI 420SS |
| Bearing | Metal Impregnated Carbon |
| Degree of Protection | Enclosure |
| Protection Class | H |

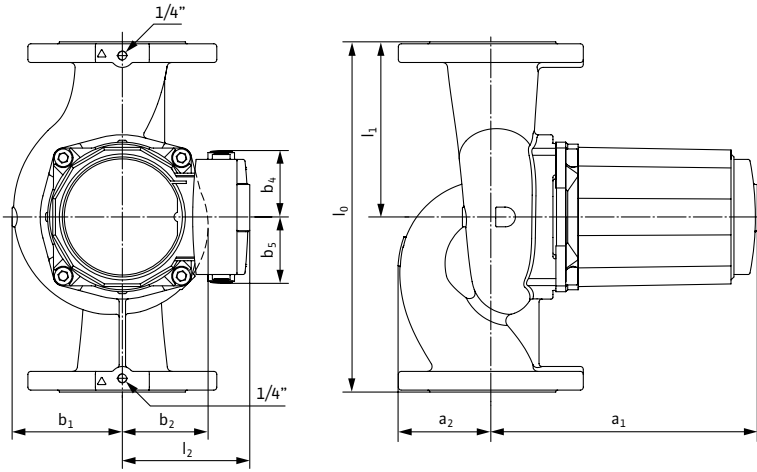
| Technical Data | |
|-------------------------------------|---------------------------------|
| Max. Temp. Range | 14°F 248°F (- 10°C to 120°C) |
| Ambient Temp. Range | 32°F - 104°F (0°C - 40 °C) |
| Electrical Connections | 3~208-230v, 460v, 575v |
| Max. Working Pressure | 145 PSI (10 Bar) |
| Min. Inlet Pressure 140 °F (60 °C) | 6.3 PSI (0.4 Bar) |
| Min. Inlet Pressure 194 °F (90 °C) | 15.4 PSI (1 Bar) |
| Min. Inlet Pressure 248 °F (120 °C) | 38.9 PSI (2.7 Bar) |

| Applications | |
|----------------------|---|
| • Heating Systems | • Cold water and air-conditioning systems |
| • Geothermal Systems | • Water/Glycol up to 50% |
| • Solar Systems | • Industrial Circulation Systems |



Approval Stamp

Dimensions & Weights

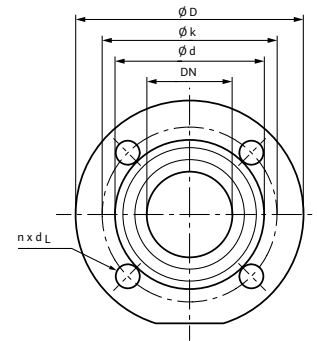


Dimensions and Weights

| Model | Dimensions - Inches (mm) | | | | | | | | | Weight - lbs (kg) |
|--------------|--------------------------|---------|-------|--------------------------------|-------|--------------------------------|-------|-------|-------|-------------------|
| | l_0 | l_1 | l_2 | a_1 | a_2 | b_1 | b_2 | b_4 | b_5 | |
| Top S 2 x 35 | 11 | 5½ | 4¾ | 9 ⁹ / ₁₆ | 2½ | 3 ⁹ / ₁₆ | 3 | 2¾ | 2¾ | 34 |
| | (279) | (139.5) | (120) | (243) | (64) | (91) | (76) | (70) | (70) | (15.4) |

Flange Dimensions

| Dia. (DN) | Dimensions - Inches (mm) | | | | |
|-----------|--------------------------|--------------------------------|--------------------------------|----------|-----------------|
| | ϕD | ϕd_1 | ϕd_2 | ϕk | $n \times d_L$ |
| 2" | 5¼ | 2 ¹ / ₁₆ | 3 ⁷ / ₁₆ | 4 | 4 x ϕ ½ |
| | (133) | (53) | (87) | (102) | (4 x ϕ 14) |



Motor Data

| Model | hp | Speed RPM | Watts W | FLA | | |
|--------------|-----|--------------|------------|------------|---------|---------|
| | | | | 3~208-230V | 3~460V | 3~575V |
| Top S 2 x 35 | 5/8 | 2870-3330 | 615-870 | 1.9-3.0 | 0.9-1.5 | 0.8-1.2 |